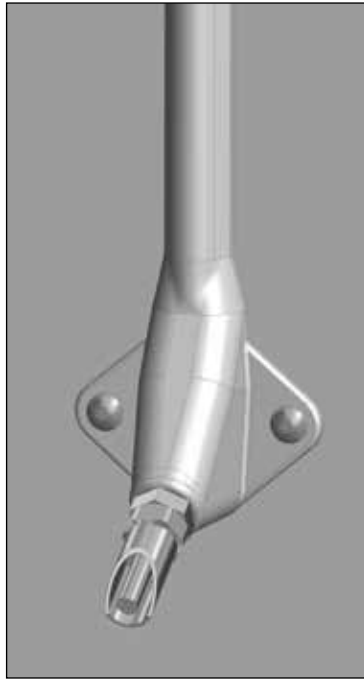


MOUNTING INSTRUCTION



PIGLET WATER

- VIP - 0 - MAT
- PIGLET DRINKER
- STAINLESS STEEL DRINKER
- DRINKING CUP WITH STAINLESS STEEL PLATE



ACO FUNKI A/S
Kirkevænget 5
DK-7400 Herning

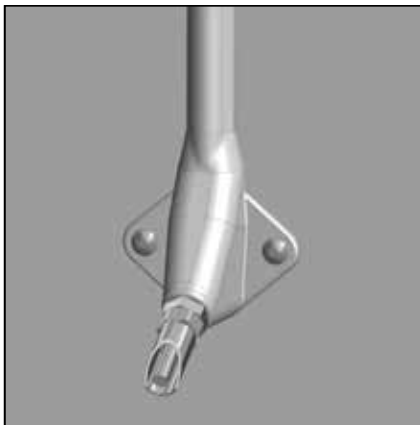
Tel. +45 9711 9600
Fax +45 9711 9677
www.acofunki.com

DANISH DESIGN | GERMAN QUALITY | GLOBAL EXPERIENCE



VIP-O-MAT

Mounting, single with INN-O-CORNER	4
Mounting for 750mm board profile	4
Mounting for wall	4
Mounting, plate	5
Mounting height	5
Spare parts	5
Water supply	10



PIGLET DRINKER

Mounting, single with INN-O-CORNER	6
Mounting for 750mm board profile	6
Mounting for wall	6
Mounting, plate	7
Mounting height	7
Spare parts	7
Water supply	10



STAINLESS STEEL DRINKER

Mounting, single with INN-O-CORNER	8
Mounting for 750mm board profile	8
Mounting for wall	8
Mounting, plate	9
Mounting height	9
Spare parts	9
Water supply	10

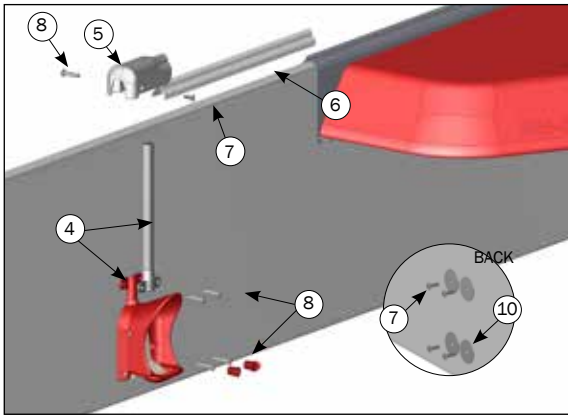


DRINKING CUP WITH STAINLESS STEEL PLATE

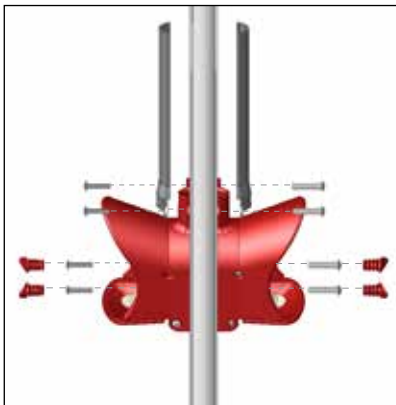
Mounting, single with INN-O-CORNER	12
Mounting for 750mm board profile	12
Mounting for wall	12
Mounting, plate	13
Mounting height	13
Spare parts	13
Water supply	15



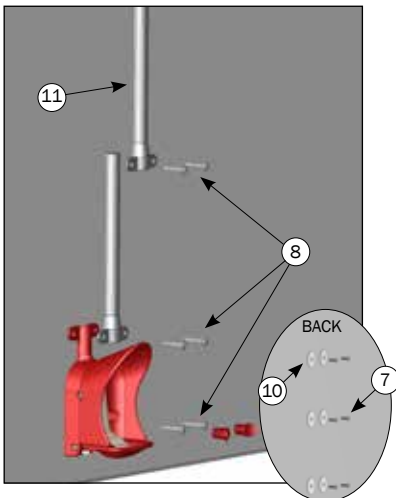
VIP-O-MAT



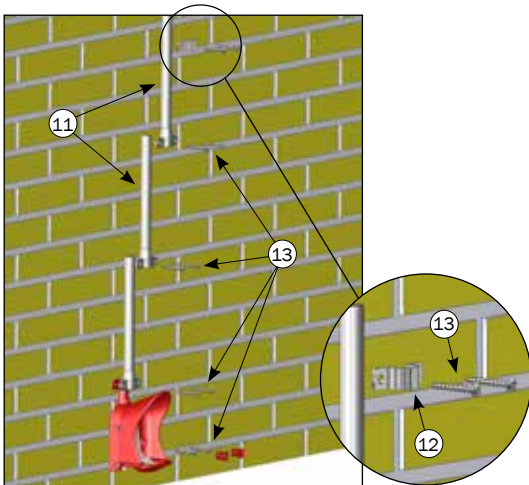
SINGLE AND (DOUBLE) VIP-O-MAT INCL. WATER SUPPLY			
	Item no.	Description	PCS
	43611	VIP-O-MAT SINGLE INCL. WATER SUPPLY	
1	61012	HOSE 8 MM PE	3 M (3M)
2	61195	DRILL CLAMP PLASTIC 8MM-32/33,7MM	1 (1)
3	61050	8 MM IN-LINE FITTING	1
4	93520	VIP-O-MAT INCL. HOSE PROTECTION	1(2)
	2900692	COVER FOR WEANER WATER PROFILE	
5	30166	COVER 8 MM Y-FITTING	1
6	30163	COVER 8 MM HOSE 500 MM	1
7	39106020	CONNECTION SCREW M6X20 SS TORX 30	1
8	39206037	SPLICING SLEEVE M6X37 SS TORX 30	1



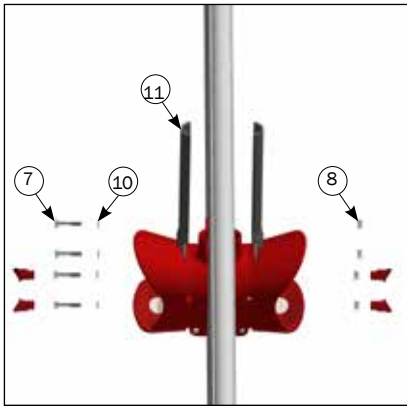
SINGLE AND (DOUBLE) VIP-O-MAT MOUNTED ON 500 MM BOARD PROFILE			
	Item no.	Description	PCS
	43500	MOUNTING KIT SINGLE VIP-O-MAT ON 500 MM BOARD	
7	39106020	CONNECTION SCREW M6X20 SS TORX 30	4
8	39206037	SPLICING SLEEVE M6X37 SS TORX 30	4
10	20037	MASTER CLAMP WASHER Ø10, 5/Ø45 1,5 A2	4
	2900579	MOUNTING KIT DOUBLE VIP-O-MAT ON BOARD	
7	39106020	CONNECTION SCREW M6X20 SS TORX 30	4
8	39206037	SPLICING SLEEVE M6X37 SS TORX 30	4



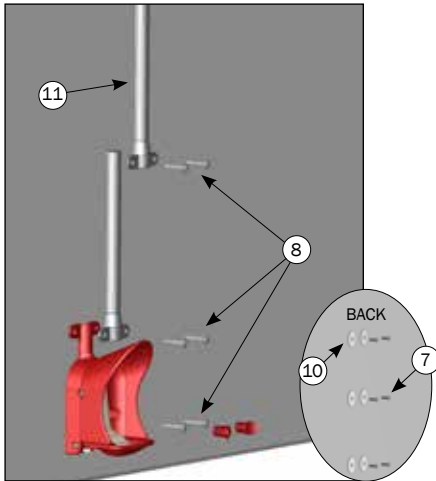
SINGLE AND (DOUBLE) VIP-O-MAT MOUNTED ON 750 MM BOARD PROFILE			
	Item no.	Description	PCS
	43501	MOUNTING KIT SINGLE VIP-O-MAT ON 750 MM BOARD	
11	30165	COVER TUBE 8 MM HOSE	1
7	39106020	CONNECTION SCREW M6X20 SS TORX 30	6
8	39206037	SPLICING SLEEVE M6X37 SS TORX 30	6
10	20037	MASTER CLAMP WASHER Ø10, 5/Ø45 1,5 A2	6
	2900587	MONTAGE SÆT DOBBELT TIL VIP-O-MAT PÅ 75 CM PLANKE	
11	30165	COVER TUBE 8 MM HOSE	2
7	39106020	CONNECTION SCREW M6X20 SS TORX 30	6
8	39206037	SPLICING SLEEVE M6X37 SS TORX 30	6



SINGLE VIP-O-MAT MOUNTED ON WALL			
	Item no.	Description	PCS
	43507	MOUNTING KIT SINGLE VIP-O-MAT ON BRICK WALL	
11	30165	COVER TUBE 8 MM HOSE	2
12	3950167	TOGGLE 1/2" STAINLESS STEEL	1
13	39406050	CONCRETE SCREW STAINLESS STEEL 6,5X50	8



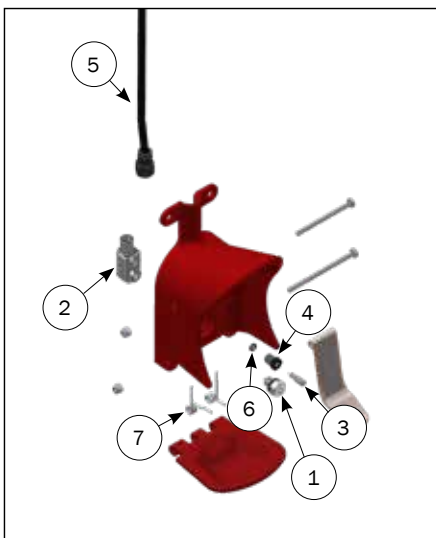
SINGLE AND (DOUBLE) VIP-O-MAT MOUNTED ON 500 MM PLATE			
	Item no.	Description	PCS
	2900607	MOUNTING KIT SINGLE FOR VIP-O-MAT ON 50 CM PLATE	
7	30306025	SET SCREW M6X25 A2 DIN 933	4
8	33506011	COLLAR HEAD NUT M6 A2 DIN 6923	4
10	35600032	FLAT WASHER Ø6X6,4/12/1,6 A2 DIN 125 A	4
	2900609	MOUNTING KIT DOUBLE FOR VIP-O-MAT ON 50 CM PLATE	
8	33506011	COLLAR HEAD NUT M6 A2 DIN 6923	4
10	35600032	FLAT WASHER Ø6X6,4/12/1,6 A2 DIN 125 A	4
7	67220	M6 X 35 HEX SCREW SS DIN 931	4



SINGLE AND (DOUBLE) VIP-O-MAT MOUNTED ON 750 MM PLATE			
	Item no.	Description	PCS
	2900608	MOUNTING KIT SINGLE FOR VIP-O-MAT ON 75 CM PLATE	
11	30165	COVER TUBE 8 MM HOSE	1
8	33506011	COLLAR HEAD NUT M6 A2 DIN 6923	6
10	35600032	FLAT WASHER Ø6X6,4/12/1,6 A2 DIN 125 A	6
7	30306025	SET SCREW M6X25 A2 DIN 933	6
	2900606	MOUNTING KIT DOUBLE FOR VIP-O-MAT ON 75 CM PLATE	
11	30165	COVER TUBE 8 MM HOSE	2
8	33506011	COLLAR HEAD NUT M6 A2 DIN 6923	6
10	35600032	FLAT WASHER Ø6X6,4/12/1,6 A2 DIN 125 A	6
7	67220	M6 X 35 HEX SCREW SS DIN 931	6

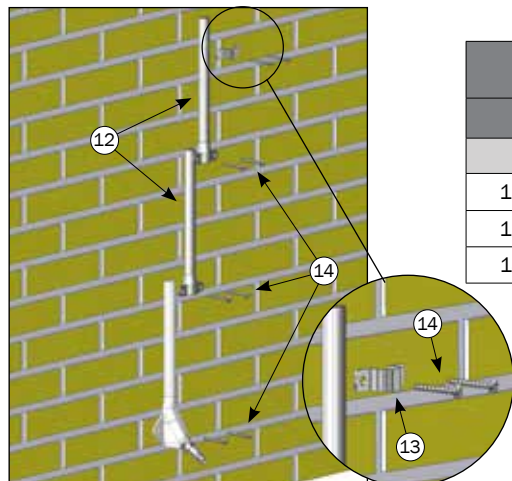
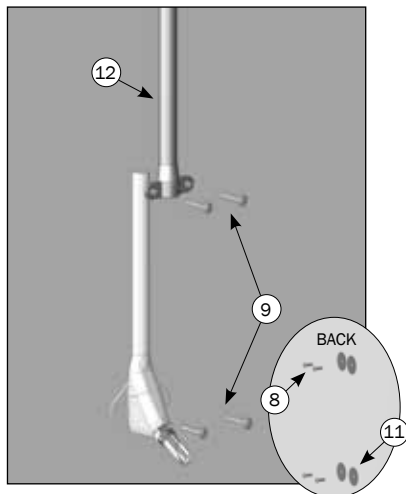
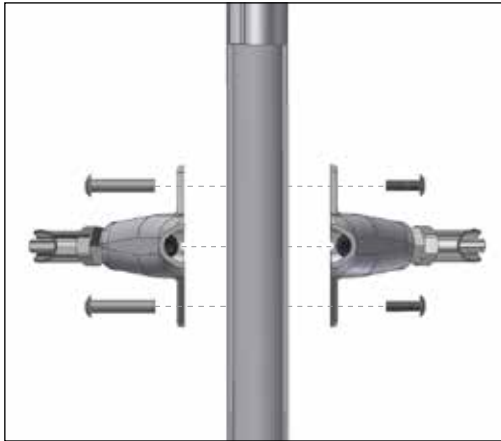
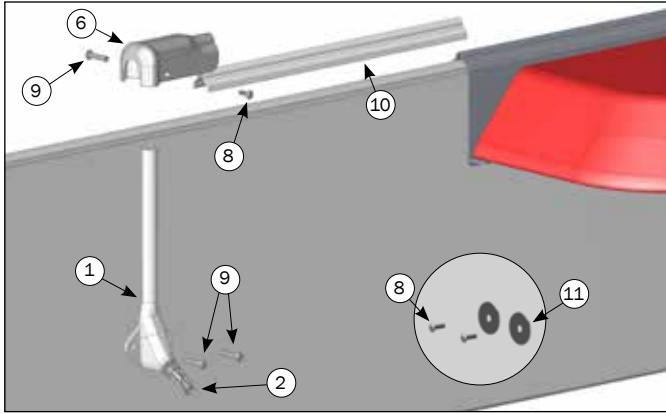


Recommended mounting height: 70 mm from top of cup to floor.
Adjustable +/- 10 mm.



VIP-O-MAT, RESERVEDELE			
	Item no.	Description	Pcs
1	15900007	VIP-O-MAT REPLACEMENT SET, STAINLESS	1
2	2750231	HOUSING FOR VALVE STAINLESS STEEL	1
3	2900628 (25 stk.)	ADJUSTMENT SCREW VIP-O-MAT BAG WITH 25 PIECE	1
4	2900653 (25 stk.)	VALVE PIN	1
5	61139	AQUA SPEED	1
6	2900654 (500 stk.)	O-RING 9 x 2,5mm	1
7	93517	VIP-O-MAT SPRING KIT	1

PIGLET DRINKER



SINGLE AND (DOUBLE) PIGLET DRINKER INCL. WATER SUPPLY

	Item no.	Description	PCS
	43732	PIGLET DRINKER WITH NIPPLE SINGLE INCL. WATER SUPPLY	
1	43730	PIGLET DRINKER SINGLE IN PLASTIC	1 (2)
2	93345	BITE NIPPLE 3/8" SS EXTERNAL THREAD FOR PIGLETS	1 (2)
3	61050	8 MM IN-LINE FITTINGS	1
4	61012	HOSE 8 MM PE	3 M (3M)
5	61195	DRILL CLAMP PLASTIC 8MM-32/33,7 MM	1 (1)
	61230	8 MM DIVIDER	(1)
	2900692	COVER FOR WEANER WATER, BOARDPROFILE	
6	30166	COVER 8 MM Y-FITTING	1
7	30163	COVER 8 MM HOSE 500 MM	1
8	39106020	CONNECTION SCREW M6X20 STAINLESS TORX 30	1
9	39206037	SPLICING SLEEVE M6X37 STAINLESS TORX 30	1

SINGLE PIGLET DRINKER MOUNTED ON 500 MM BOARD

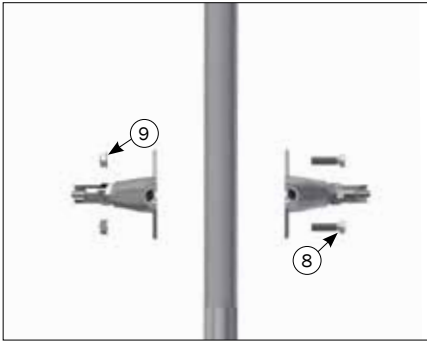
	Item no.	Description	PCS
	43505	MOUNTING KIT SINGLE FOR PIGLET DRINKER ON 50CM BOARD-PROFILE	
9	39206037	SPLICING SLEEVE M6X37 STAINLESS TORX 30	2
8	39106020	CONNECTION SCREW M6X20 STAINLESS TORX 30	2
11	20037	MASTER CLAMP WASHER Ø10,5/45 1,5 A2	2
	2900589	MOUNTING KIT DOUBLE FOR PIGLET DRINKER ON BOARD PROFILE	
8	39106020	CONNECTION SCREW M6X20 STAINLESS TORX 30	2
9	39206037	SPLICING SLEEVE M6X37 STAINLESS TORX 30	2

SINGLE PIGLET DRINKER MOUNTED ON 750 MM BOARD PROFILE

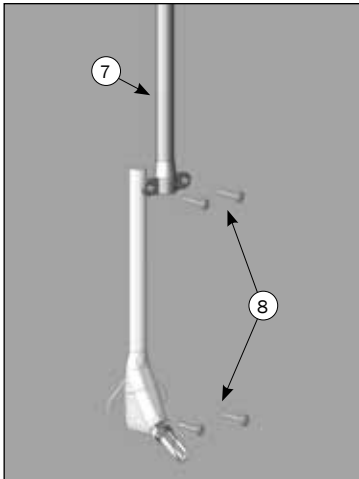
	Item no.	Description	PCS
	43506	MOUNTING KIT SINGLE FOR PIGLET DRINKER ON 75 CM BOARD PROFILE	
12	30165	COVER TUBE 8 MM HOSE	1
9	39206037	SPLICING SLEEVE M6X37 STAINLESS TORX 30	4
8	39106020	CONNECTION SCREW M6X20 STAINLESS TORX 30	4
11	20037	MASTER CLAMP WASHER Ø10,5/45 1,5 A2	4
	2900598	MOUNTING KIT DOUBLE FOR PIGLET DRINKER ON 75 CM BOARDPROFILE	
12	30165	COVER TUBE 8 MM HOSE	2
9	39206037	SPLICING SLEEVE M6X37 STAINLESS TORX 30	4
8	39106020	CONNECTION SCREW M6X20 STAINLESS TORX 30	4

SINGLE PIGLET DRINKER MOUNTED ON WALL

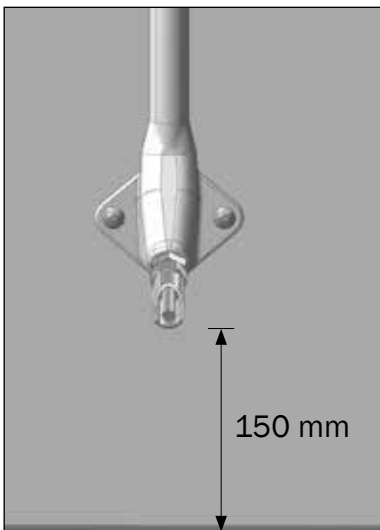
	Item no.	Description	PCS
	43507	MOUNTING KIT SINGLE FOR PIGLET DRINKER AGAINST WALL	
12	30165	COVER TUBE 8 MM HOSE	2
13	3950167	TOGGLE 1/2", STAINLESS	1
14	39406050	CONCRETE SCREW 6,5 X 50 STAINLESS STEEL	8



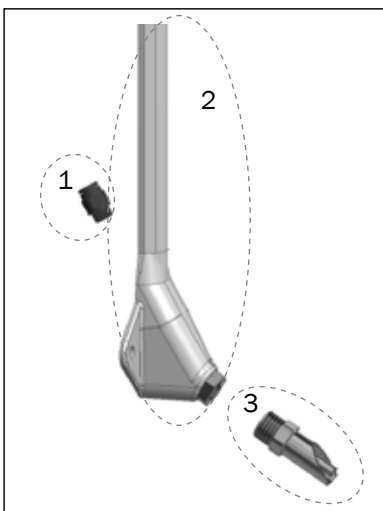
SINGLE PIGLET DRINKER MOUNTED ON 500 MM PLATE			
	Item no.	Description	PCS
	2900596	MOUNTING KIT SINGLE FOR PIGLET DRINKER ON 50 CM PLATE	
8	30308025	SET SCREW M8X25 A2 DIN 933	2
9	68552	M8 FLANGE NUT DIN 6923 A2	2
	2900599	MOUNTING KIT DOUBLE FOR PIGLET DRINKER ON 50 CM PLATE	
8	30308030	SET SCREW M8X30 A2 DIN 933	2
9	68552	M8 FLANGE NUT DIN 6923 A2	2



SINGLE PIGLET DRINKER MOUNTED ON 750 MM PLATE			
	Item no.	Description	PCS
	2900597	MOUNTING KIT SINGLE FOR PIGLETDRINKER ON 75 CM PLATE	
7	30165	COVER TUBE 8 MM HOSE	1
8	30308025	SET SCREW M8X25 A2 DIN 933	4
9	68552	M8 FLANGE NUT DIN 6923 A2	4
	2900595	MOUNTING KIT DOUBLE FOR PIGLET DRINKER ON 75 CM PLATE	
7	30165	COVER TUBE 8 MM HOSE	2
8	30308030	SET SCREW M8X30 A2 DIN 933	4
9	68552	M8 FLANGE NUT DIN 6923 A2	4

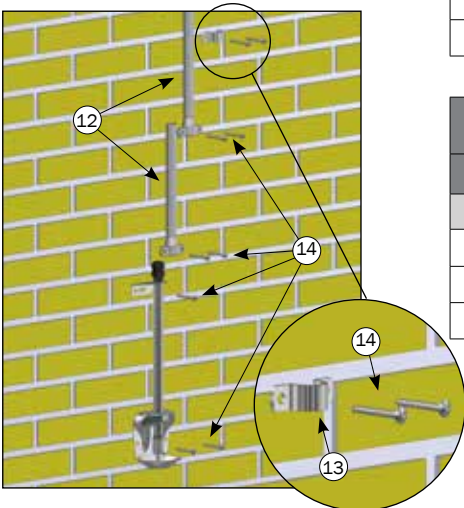
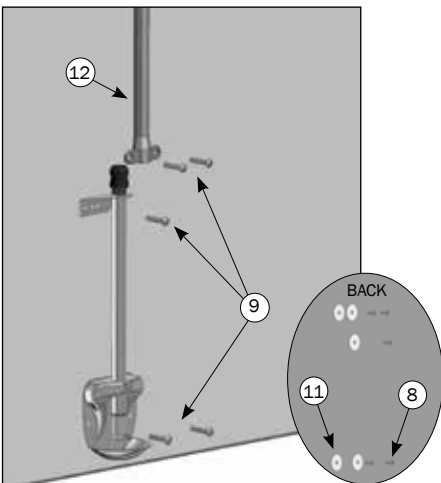
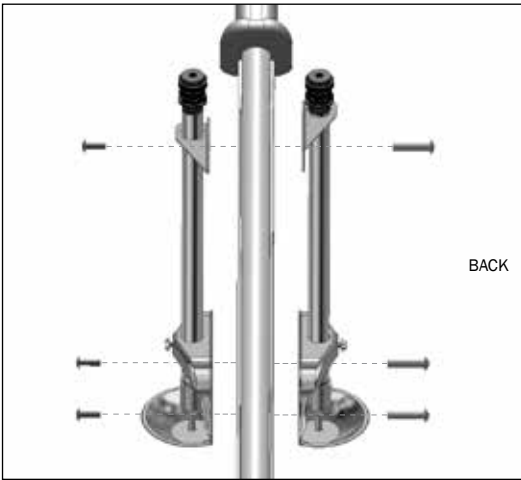
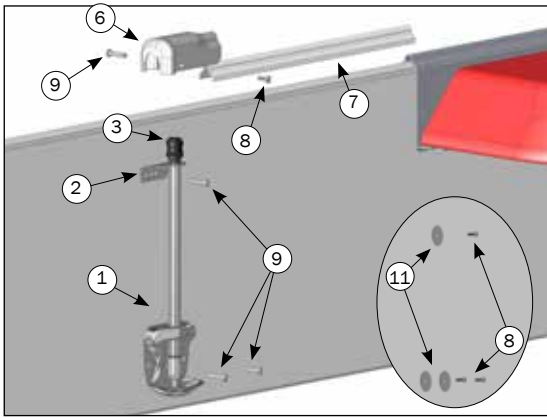


Recommended mounting height: 150 mm from lower edge of drinking nipple to floor.
Adjustable +/- 10 mm.



PIGLET DRINKER, SPARE PARTS			
	Item no.	Description	PCS
	43730	PIGLET DRINKER SINGLE IN PLASTIC	
1	61122	MALE COUPLER 1/4/8 MM	1
2	2760730	PIGLETS WATERING IN PLASTIC	1
3	93345	BITE NIPPLE 3/8' SS EXTERNAL THREAD FOR PIGLETS	1

STAINLESS STEEL DRINKER



SINGLE AND (DOUBLE) STAINLESS STEEL DRINKER INCL. WATER SUPPLY

	Item no.	Description	PCS
	2900616	STAINLESS STEEL DRINKER INCL. WATER SUPPLY	
1	2100625	DRINKER FOR WEANERS WITH LONG PIPE	1 (2)
2	20007	WATER PIPE BRACKET 23 MM PIPE	1 (2)
3	61124	MALE COUPLER 1/2" 8 MM	1 (2)
4	61012	HOSE 8 MM PE	3 M (3 M)
5	61195	DRILL CLAMP PLASTIC 8MM-32/33,7 MM	1 (1)
	61230	8 MM DIVIDER	(1)
	2900692	COVER FOR WEANER WATER, BOARD PROFILE	
6	30166	COVER 8 MM Y-FITTING	1
7	30163	COVER 8 MM HOSE 500 MM	1
8	39106020	CONNECTION SCREW M6X20 STAINLESS TORX 30	1
9	39206037	SPLICING SLEEVE M6X37 STAINLESS TORX 30	1

SINGLE AND (DOUBLE) STAINLESS DRINKER MOUNTED ON 500 MM BOARD PROFILE

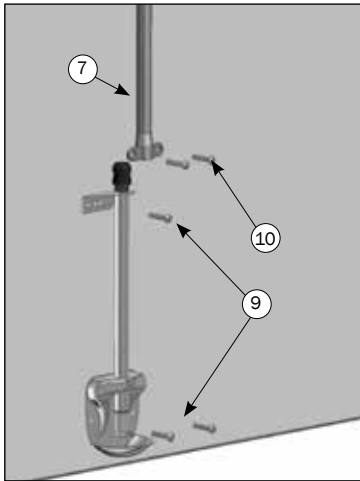
	Item no.	Description	PCS
	2900731	MOUNTING KIT SINGLE FOR DRINKER ON 50 CM BOARD PROFILE	
8	39106020	CONNECTION SCREW M6X20 STAINLESS TORX 30	3
9	39206037	SPLICING SLEEVE M6X37 STAINLESS TORX 30	3
11	20037	MASTER CLAMP WASHER Ø10,5/45 1,5 A2	3
	2900730	MOUNTING KIT DOUBLE FOR DRINKER ON BOARD PROFILE	
8	39106020	CONNECTION SCREW M6X20 STAINLESS TORX 30	3
9	39206037	SPLICING SLEEVE M6X37 STAINLESS TORX 30	3

SINGLE STAINLESS STEEL DRINKER MOUNTED ON 750 MM BOARD PROFILE

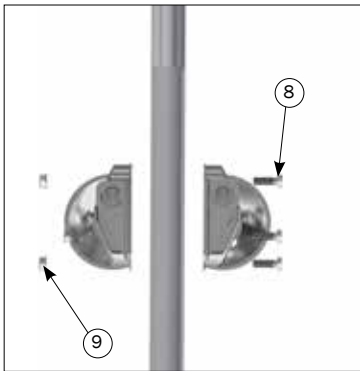
	Item no.	Description	PCS
	2900732	MOUNTING KIT SINGLE FOR DRINKER ON 75 CM BOARD PROFILE	
12	30165	COVER TUBE 8 MM HOSE	1
9	39206037	SPLICING SLEEVE M6X37 STAINLESS TORX 30	5
8	39106020	CONNECTION SCREW M6X20 STAINLESS TORX 30	5
11	20037	MASTER CLAMP WASHER Ø10,5/45 1,5 A2	5
	2900594	MOUNTING KIT DOUBLE FOR DRINKING BOWL ON 75 CM BOARD-PROFILE	
12	30165	COVER TUBE 8 MM HOSE	2
9	39206037	SPLICING SLEEVE M6X37 STAINLESS TORX 30	5
8	39106020	CONNECTION SCREW M6X20 STAINLESS TORX 30	5

SINGLE STAINLESS STEEL DRINKER MOUNTED ON WALL

	Item no.	Description	PCS
	2900733	MOUNTING KIT SINGLE FOR DRINKER AGAINST WALL	
12	30165	COVER TUBE 8 MM HOSE	2
13	3950167	TOGGLE 1/2", STAINLESS	1
14	39406050	CONCRETE SCREW 6,5 X 50 STAINLESS STEEL	9



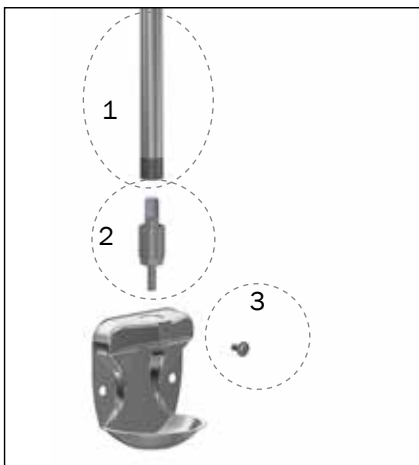
SINGLE AND (DOUBLE) STAINLESS DRINKER MOUNTED ON 50 MM PLATE			
	Item no.	Description	PCS
	2900734	MOUNTING KIT SINGLE FOR DRINKING BOWL ON 50 CM PLATE	
8	30308025	SET SCREW M8X25 A2 DIN 933	3
9	68552	M8 FLANGE NUT DIN 6923 A2	3
	2900737	MOUNTING KIT DOUBLE FOR DRINKING BOWL ON 50 CM PLATE	
8	30308025	SET SCREW M8X25 A2 DIN 933	3
9	68552	M8 FLANGE NUT DIN 6923 A2	3



SINGLE STAINLESS STEEL DRINKER MOUNTED ON 75 MM PLATE			
	Item no.	Description	PCS
	2900735	MOUNTING KIT SINGLE FOR DRINKING BOWL ON 75 CM PLATTE	
7	30165	COVER TUBE 8 MM HOSE	1
8	30308025	SET SCREW M8X25 A2 DIN 933	5
9	68552	M8 FLANGE NUT DIN 6923 A2	5
	2900736	MOUNTING KIT DOUBLE FOR DRINKING BOWL ON 75 CM PLATE	
7	30165	COVER TUBE 8 MM HOSE	2
8	30308025	SET SCREW M8X25 A2 DIN 933	3
9	68552	M8 FLANGE NUT DIN 6923 A2	5
10	30308035	SET SCREW M8X25 A2 DIN 933	2



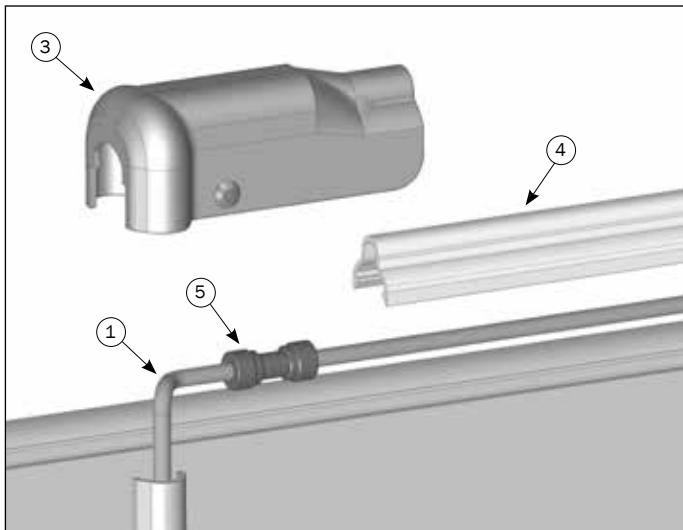
Recommended mounting height: 50 mm from upper edge of drinking cup to floor.



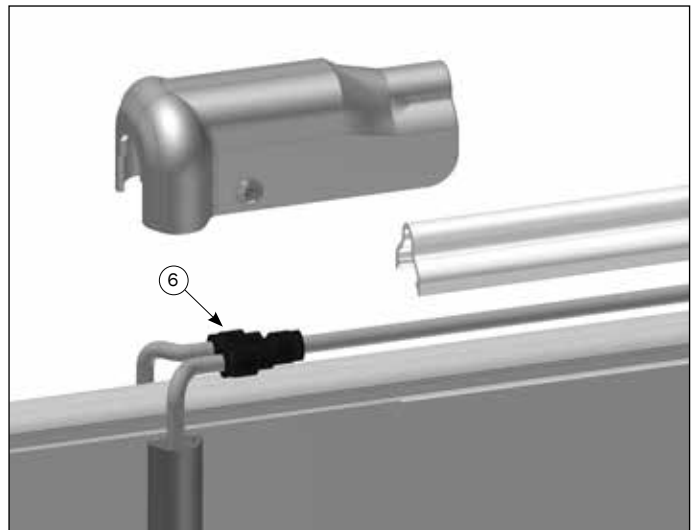
STAINLESS STEEL DRINKER, SPARE PARTS			
	Item no.	Description	PCS
	2100625	DRINKER FOR WEANERS WITH LONG PIPE	
1	2150624	MALE COUPLER 1/4/8 MM	1
2	12100107	PIGLET'S WATERING IN PLASTIC	1
3	30306012	BITE NIPPLE 3/8' SS EXTERNAL THREAD FOR PIGLETS	1

WATER SUPPLY

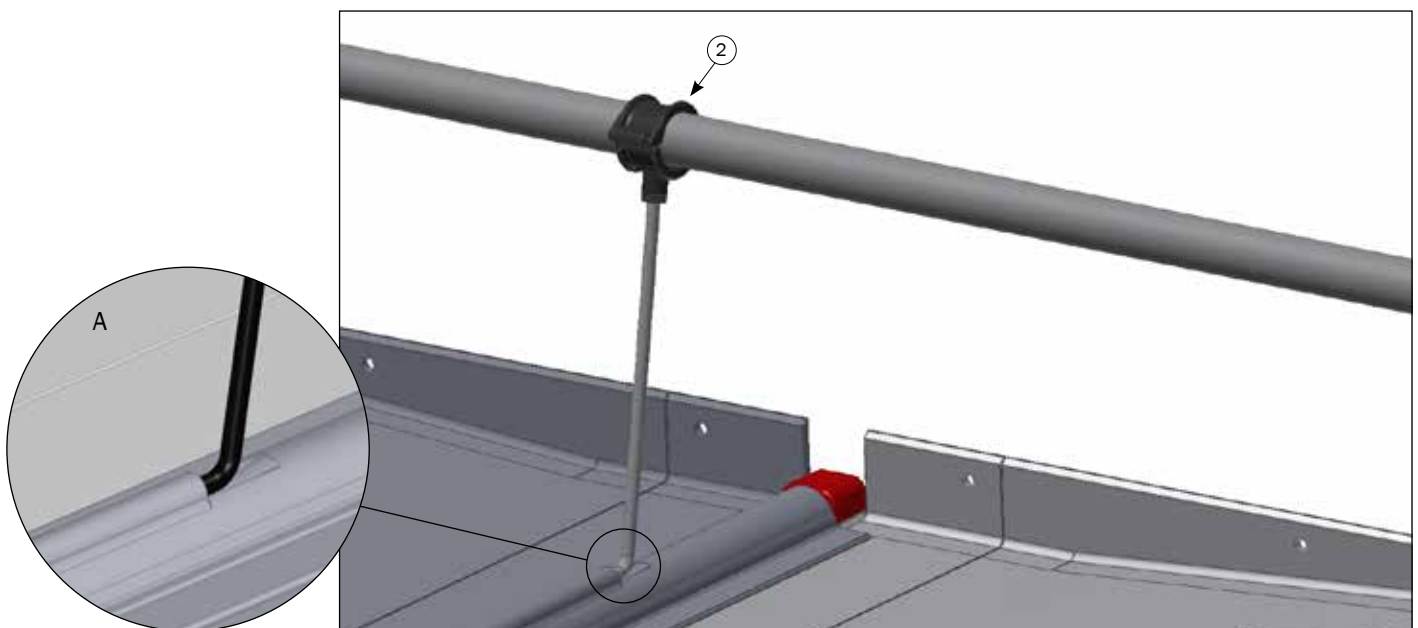
Applies to VIP-O-MAT, PIGLET DRINKER and STAINLESS STEEL DRINKER



Water supply for single piglet water



Water supply for double piglet water

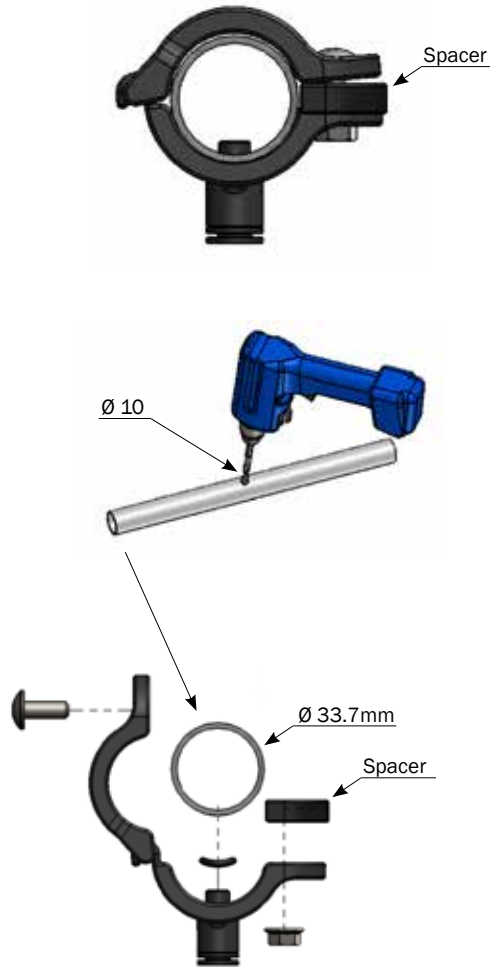


WATER SUPPLY		
	Item no.	Description
1	61012	HOSE 8 MM PE
2	61195	DRILL CLAMP PLASTIC 8MM-32/33,7 MM
3	30166	COVER 8 MM Y-FITTING
4	30163	COVER 8 MM HOSE 500 MM
5	61050	8 MM IN-LINE FITTING
6	61230	8 MM DIVIDER

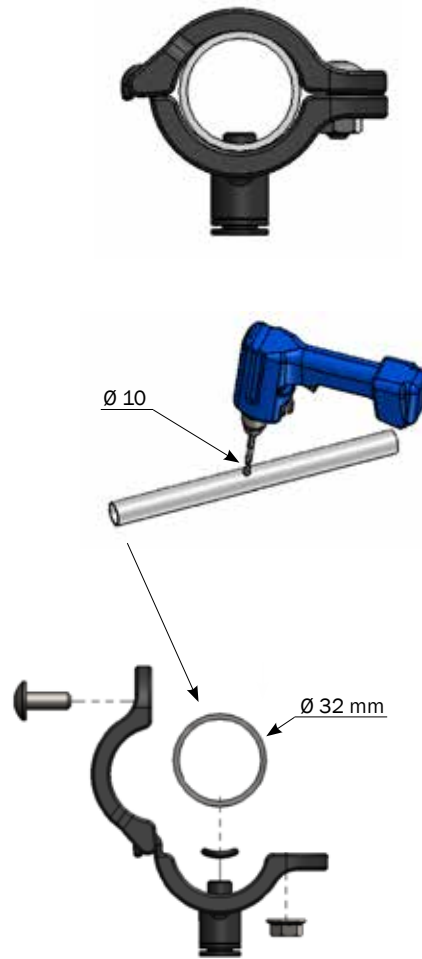
The Vip-O-Mat, Piglet Drinker and Stainless Steel Drinker are connected to the supply of sow water with the master drill clamp (shown on the next page).

The PE hose is inserted into the cover (A), and connected to the single or double piglet water as shown above.

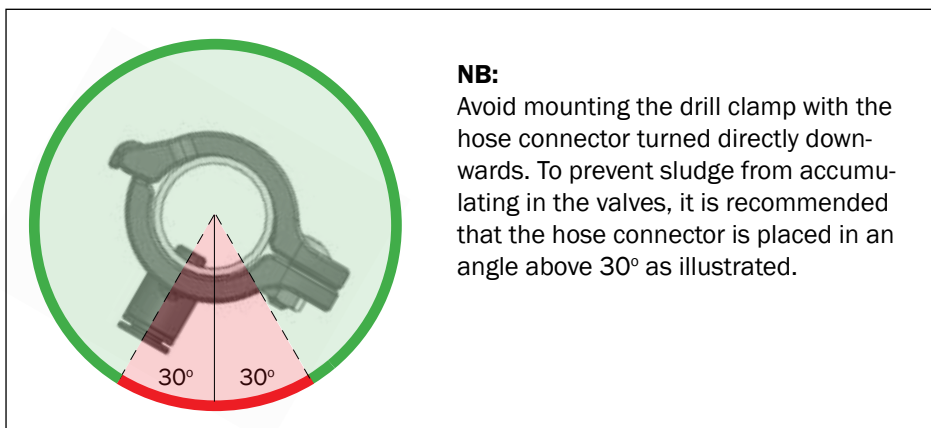
When mounting on 33.7mm (1" pipe)
the spacer is inserted.



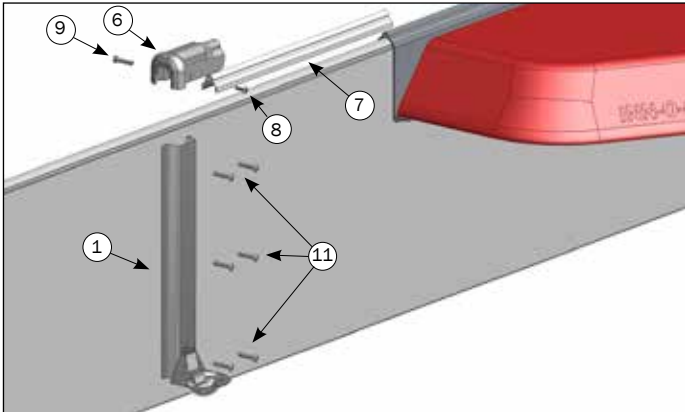
When mounting on 32mm PVC pipe
the spacer is removed.



Mounting with master drill clamp (61195)

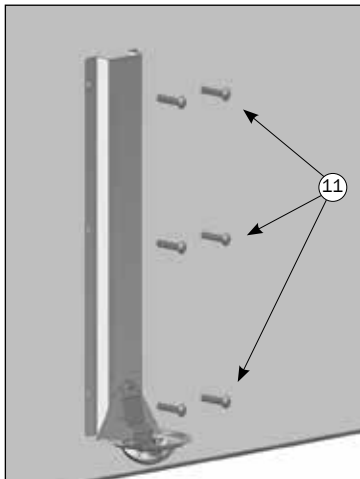


DRINKING CUP WITH STAINLESS STEEL PLATE



SINGLE DRINKING CUP WITH SS PLATE INCL. WATER SUPPLY

	Item no.	Description	PCS
	15900001	DRINKING CUP WITH SS PLATE	
1	15900001	DRINKING CUP WITH SS PLATE	1
2	61226	8 - 8 - 8 MM SPEED T-CONNECTOR	1
3	61230	8 MM DIVIDER	1
4	76200023	CABLE TIE 300X4,8 MM	11
5	61012	HOSE 8 MM PE	6 M
	2900692	COVER FOR WEANER WATER, BOARD PROFILE	
6	30166	COVER 8 MM Y-FITTING	1
7	30163	COVER 8 MM HOSE 500 MM	1
8	39106020	CONNECTION SCREW M6X20 STAINLESS TORX 30	1
9	39206037	SPLICING SLEEVE M6X37 STAINLESS TORX 30	1

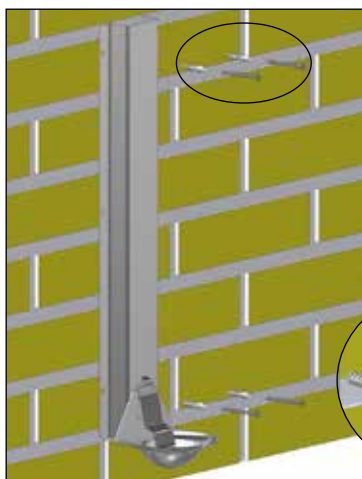


SINGLE DRINKING CUP WITH SS PLATE MOUNTED ON 500MM BOARD

	Item no.	Description	PCS
11	34900012	SHEET SCREW 4.2X25 PH X-SLOT A2 DIN 7981 C	6

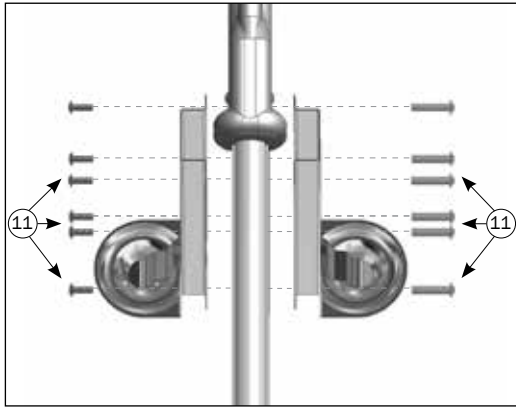
SINGLE DRINKING CUP WITH SS PLATE MOUNTED ON 750 MM BOARD PROFILE

	Item no.	Description	PCS
11	34900012	SHEET SCREW 4.2X25 PH X-SLOT A2 DIN 7981 C	6

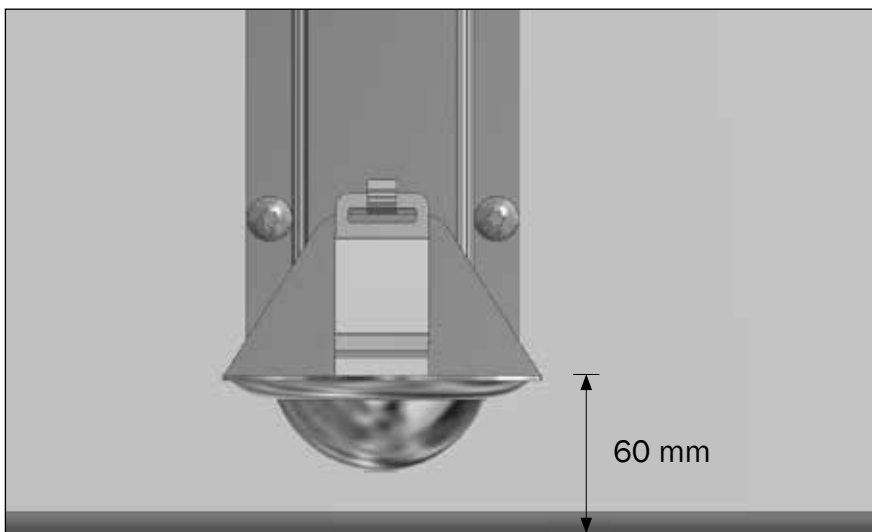


SINGLE DRINKING CUP WITH STAINLESS STEEL PLATE MOUNTED ON WALL

	Item no.	Description	PCS
	0153-463	MOUNTING KIT FOR WALL WITH CHIPBOARD SCREW	
12	25000039	CHIPBOARD SCREW 5X50 US-SLOTORX A2	4
13	9961004	DOWEL 6X30MM	4

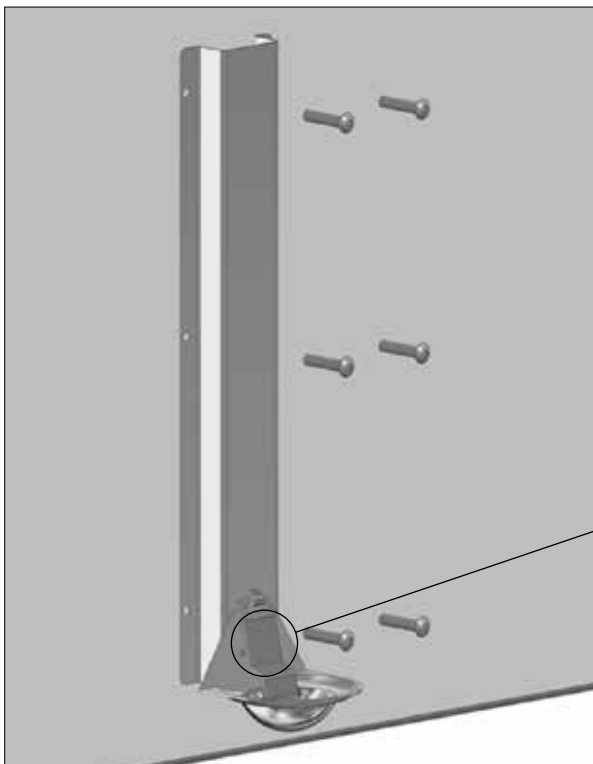


DOUBLE DRINKING CUP WITH SS PLATE MOUNTED ON 500 MM BOARD			
	Item no.	Description	PCS
1	15900001	DRINKING CUP WITH SS PLATE	2
2	61226	8 - 8 - 8 MM SPEED T-CONNECTOR	1 (2)
3	61230	8 MM DIVIDER	1 (2)
4	76200023	CABLE TIE 300X4,8 MM	22
5	61012	HOSE 8 MM PE	6 M
11	34900012	SHEET SCREW 4.2X25 PH X-SLOT A2 DIN 7981 C	12

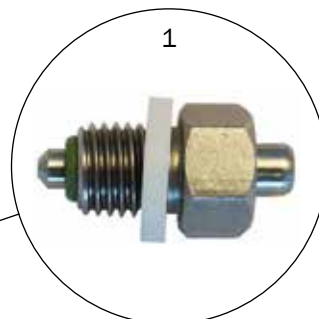


Recommended mounting height: 60 mm from upper edge of drinking cup to floor.

Can be lowered by maximum 10 mm.

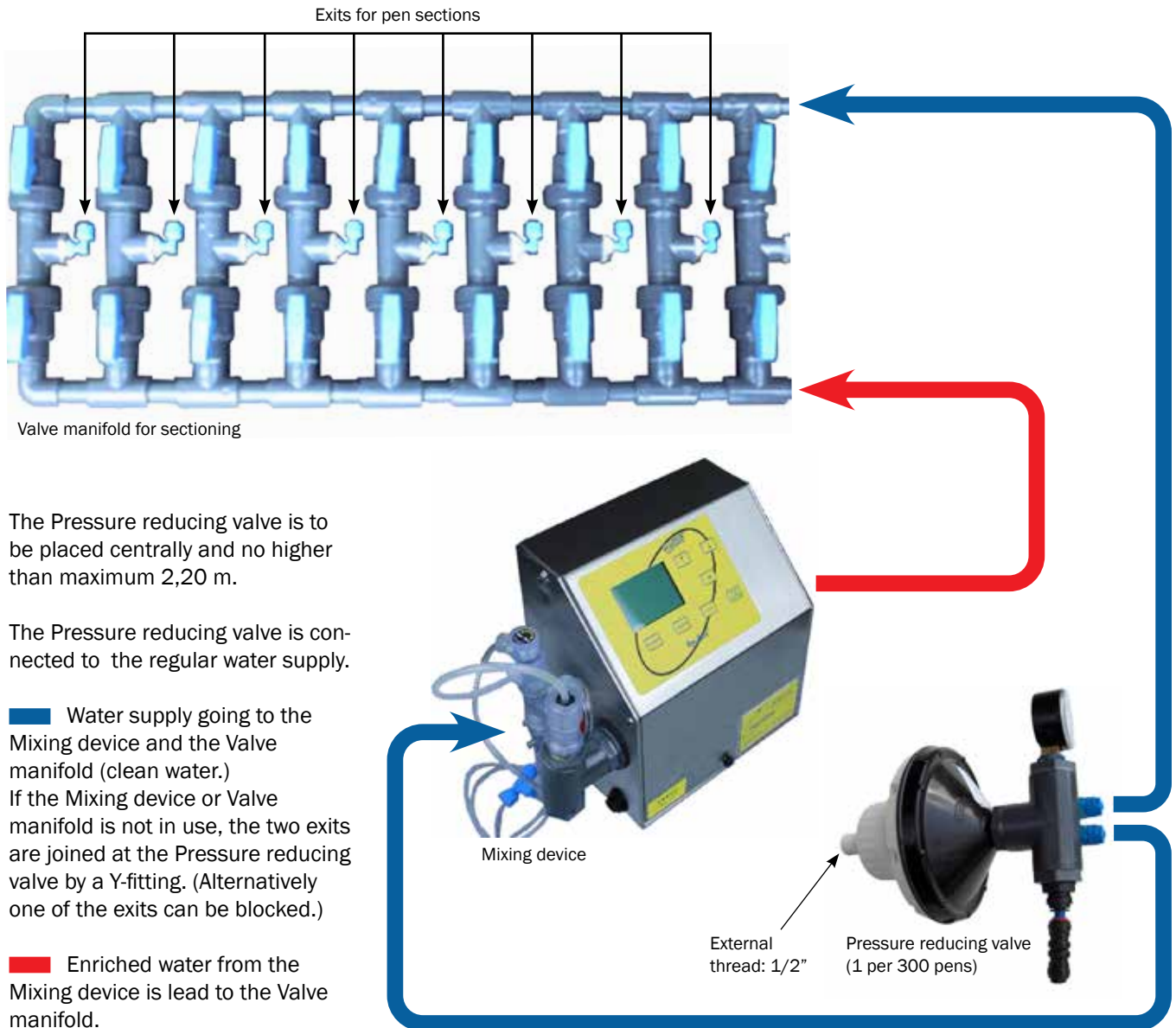


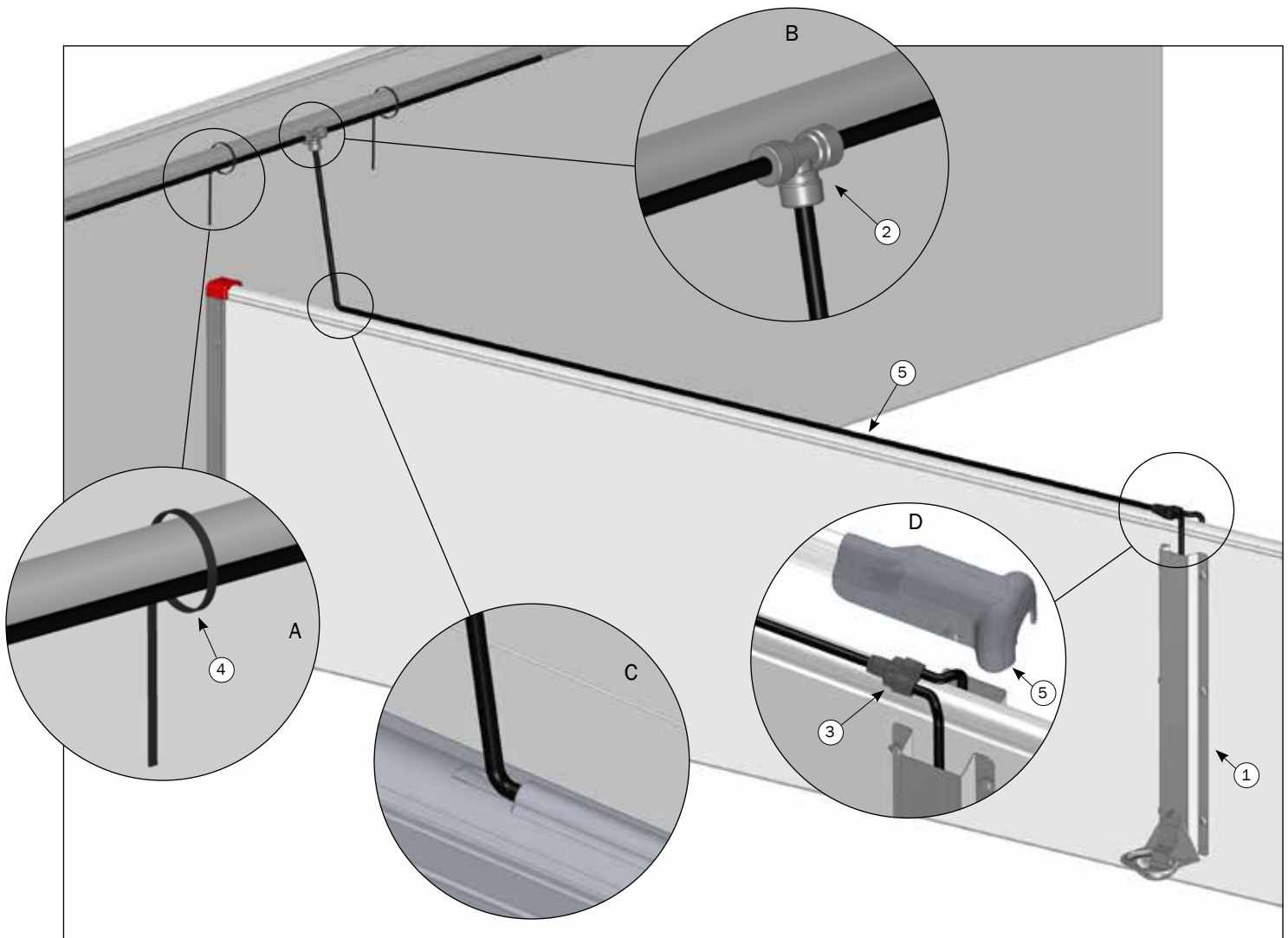
DRINKING CUP WITH SS PLATE, SPARE PARTS			
	Item no.	Description	PCS
1	15900003	VALVE WITH FIBER WASHER, FOR PIGLETS	1



WATER SUPPLY

DRINKING CUP WITH STAINLESS STEEL PLATE





WATER SUPPLY

	Item no.	Description
1	15900001	DRINKING CUP WITH SS PLATE
2	61226	8 - 8 - 8 MM SPEED T-CONNECTOR
3	61230	8 MM DIVIDER
4	76200023	CABLE TIE 300X4,8 MM
5	61012	HOSE 8 MM PE

A: 8mm PE hose is fastened to the water pipe for the sow water supply with cable ties.

B: The hose is joined with a T-fitting.

C: The hose is inserted to the cover.

D: The water supply is divided by a Y-fitting divider and lead behind the stainless steel plate to the drinking cup.

