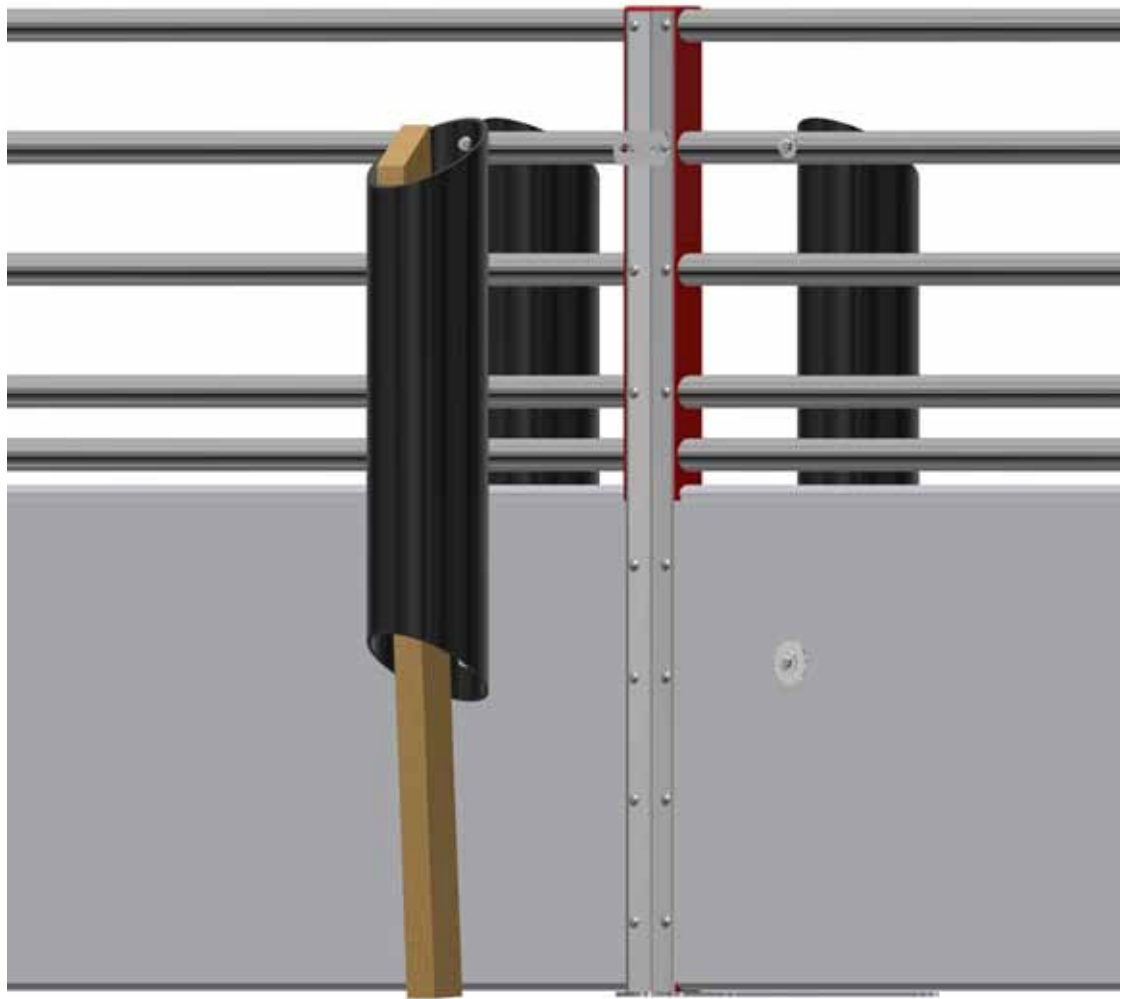


MOUNTING INSTRUCTION



MANIPULATION FOR INVESTIGATION BEHAVIOR

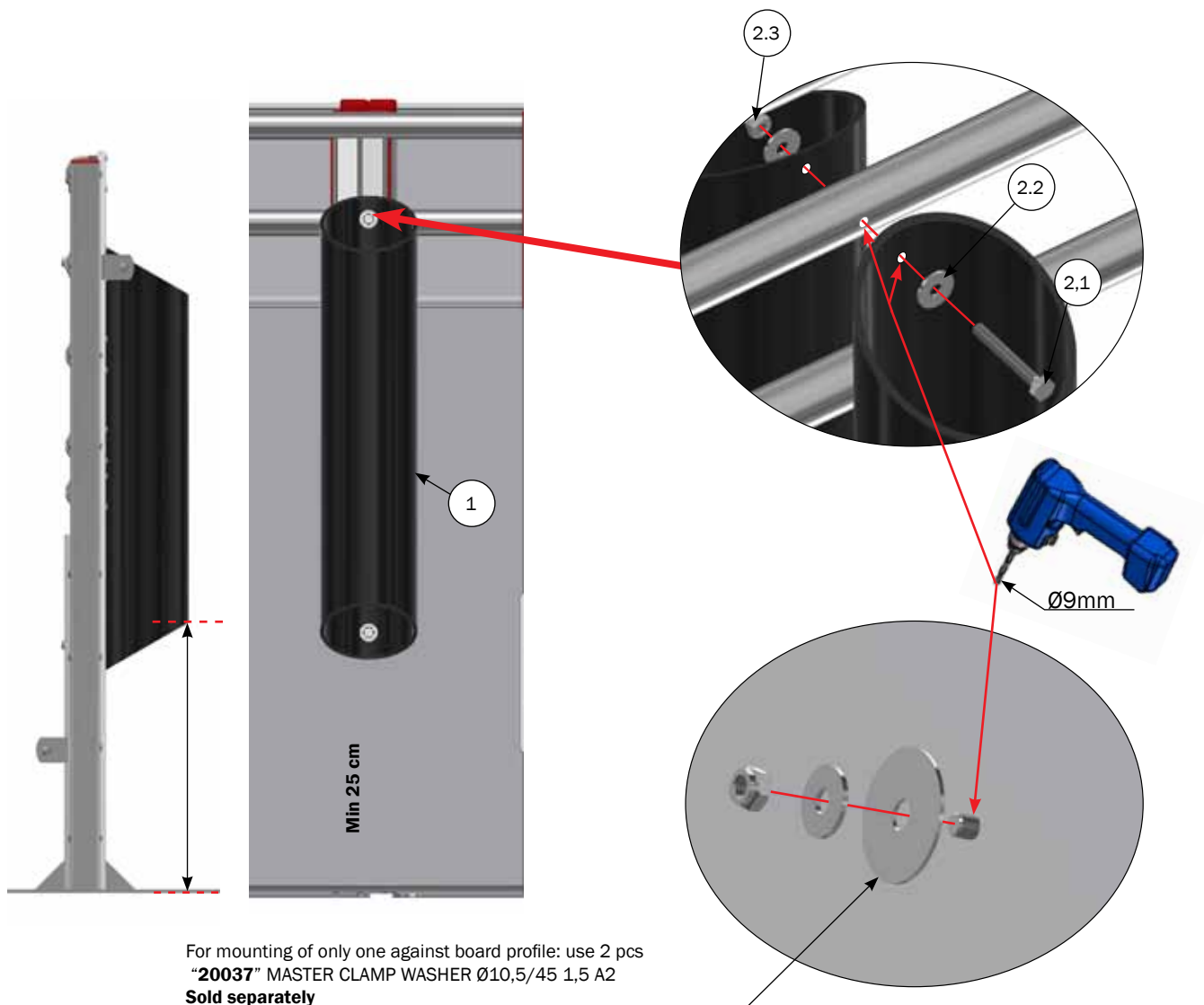
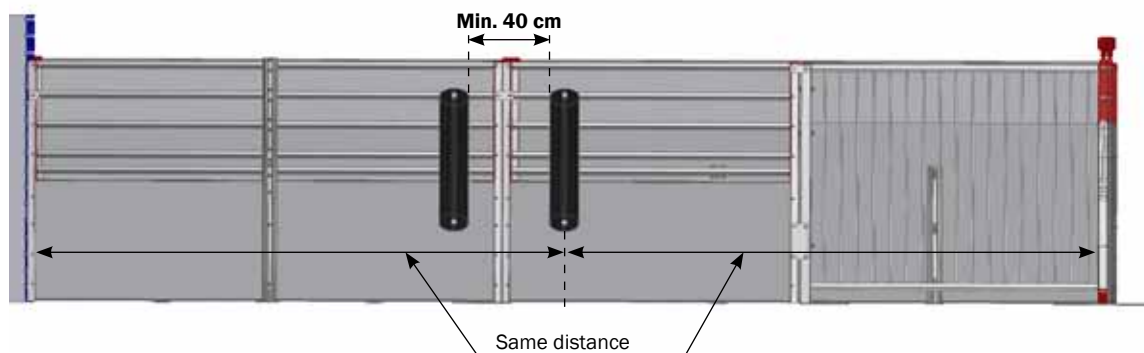


ACO FUNKI A/S
Kirkevænget 5
DK-7400 Herning

Tel. +45 9711 9600
Fax +45 9711 9677
www.acofunki.com

DANISH DESIGN | GERMAN QUALITY | GLOBAL EXPERIENCE

Mounting of manipulation materials on board profile

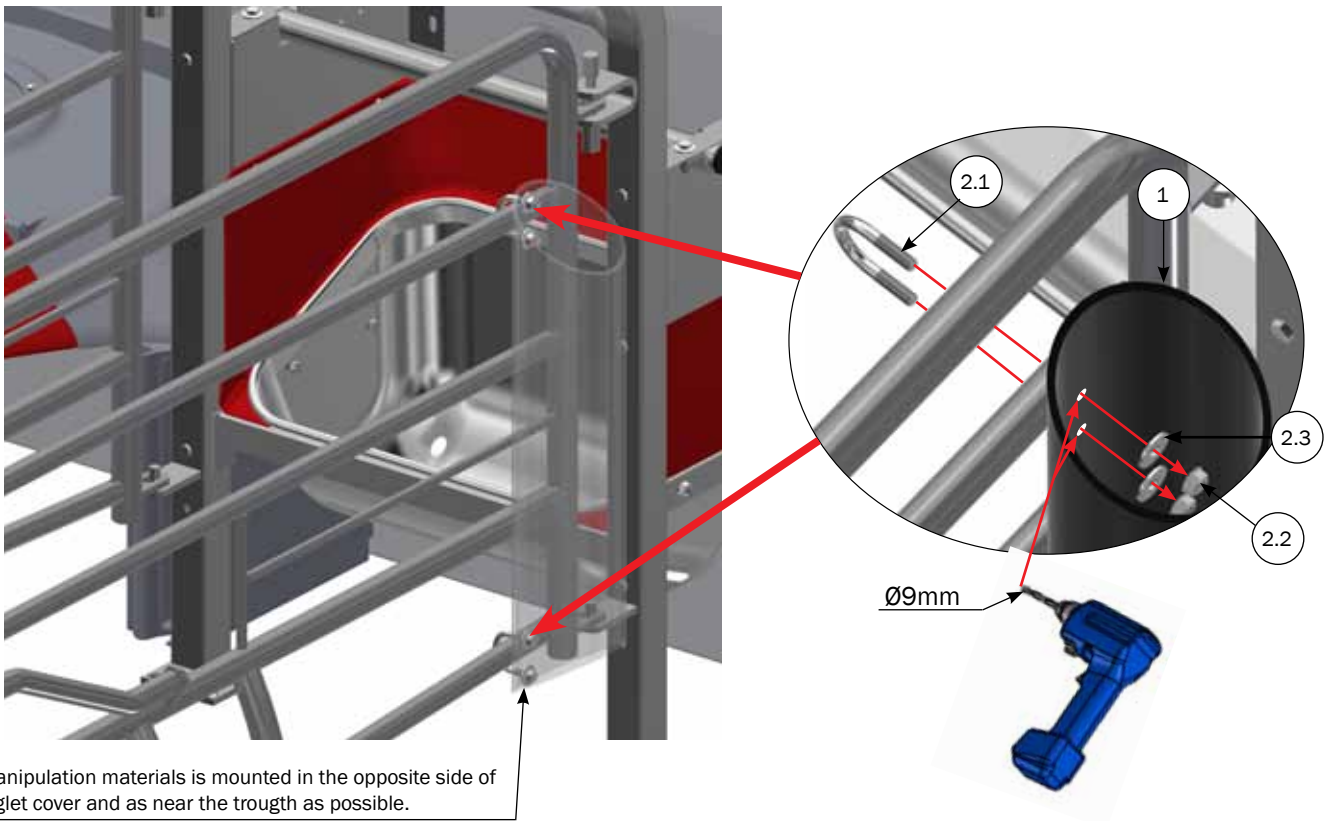
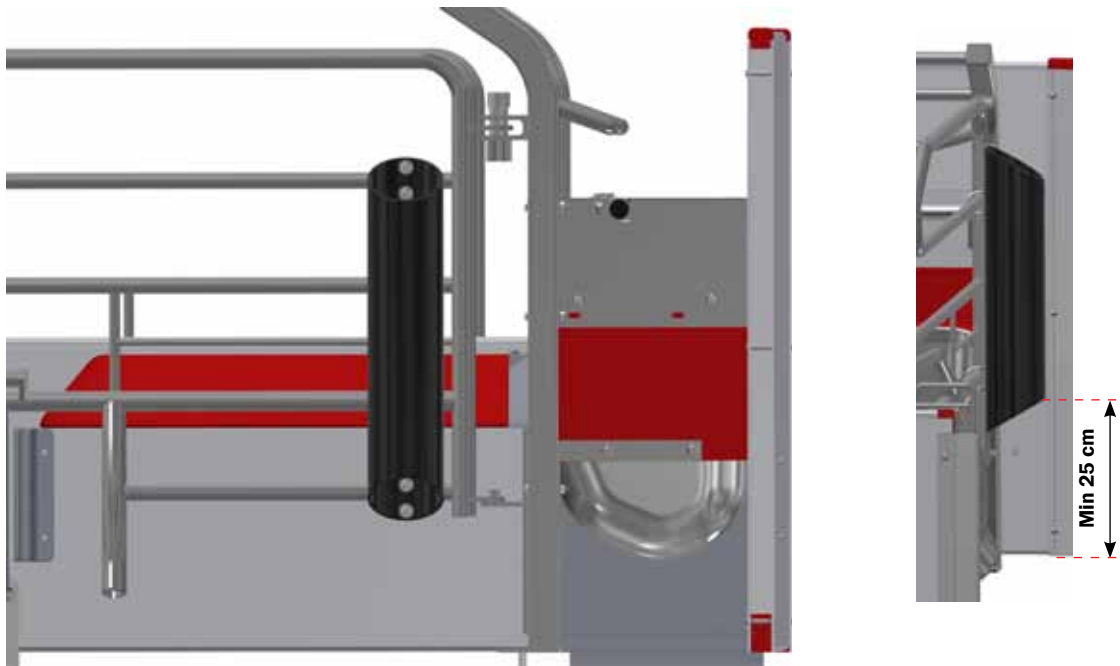


For mounting of only one against board profile: use 2 pcs
 "20037" MASTER CLAMP WASHER Ø10,5/45 1,5 A2
Sold separately

PARTS LIST

No.	PCS.	ITEM No.	DESCRIPTION
1	1	4960518	MANIPULATION MATERIALS Ø125 PVC
2	1	4900535	MOUNTING KIT MANIPULATION MATERIALS Ø125 PVC ON BOARD PROFILE
2.1	2	30308060	SET SCREW M8X60 A2 DIN 933
2.2	4	35600058	NUT WASHER Ø8X8,4/24/2 A2 DIN9021
2.3	2	33908001	LOCK NUT M8 A2 DIN 985

Mounting of manipulation materials on farrowing partition



PARTS LIST

No.	PCS.	ITEM No.	DESCRIPTION
1	1	4960518	MANIPULATION MATERIALS Ø125 PVC
2	1	4900534	MOUNTING KIT MANIPULATION MATERIALS Ø125 PVC ON FARROWING PARTITION
2.1	2	90100062	U-BOLT 1" STAINLESS
2.2	4	68552	M8 FLANGE NUT DIN 6923 A2
2.3	2	35600058	NUT WASHER Ø8X8,4/24/2 A2 DIN9021

Rules og requirements for investigation behaviour of pigs in pens

- The wooden piece size has to be 1/3 of the manipulation materials.
- The wooden piece has to be massive wood (e.g. pine, fir, birch or similar)
- From 1-9 pigs: 1 manipulation materials must be used per pen to meet the need for investigation.
- From 10-18 pigs: 2 manipulation materials must be used per pen to meet the need for investigation.
- From 19 and more pigs: minimum the same quantity as in pens with 10-18 pigs.

