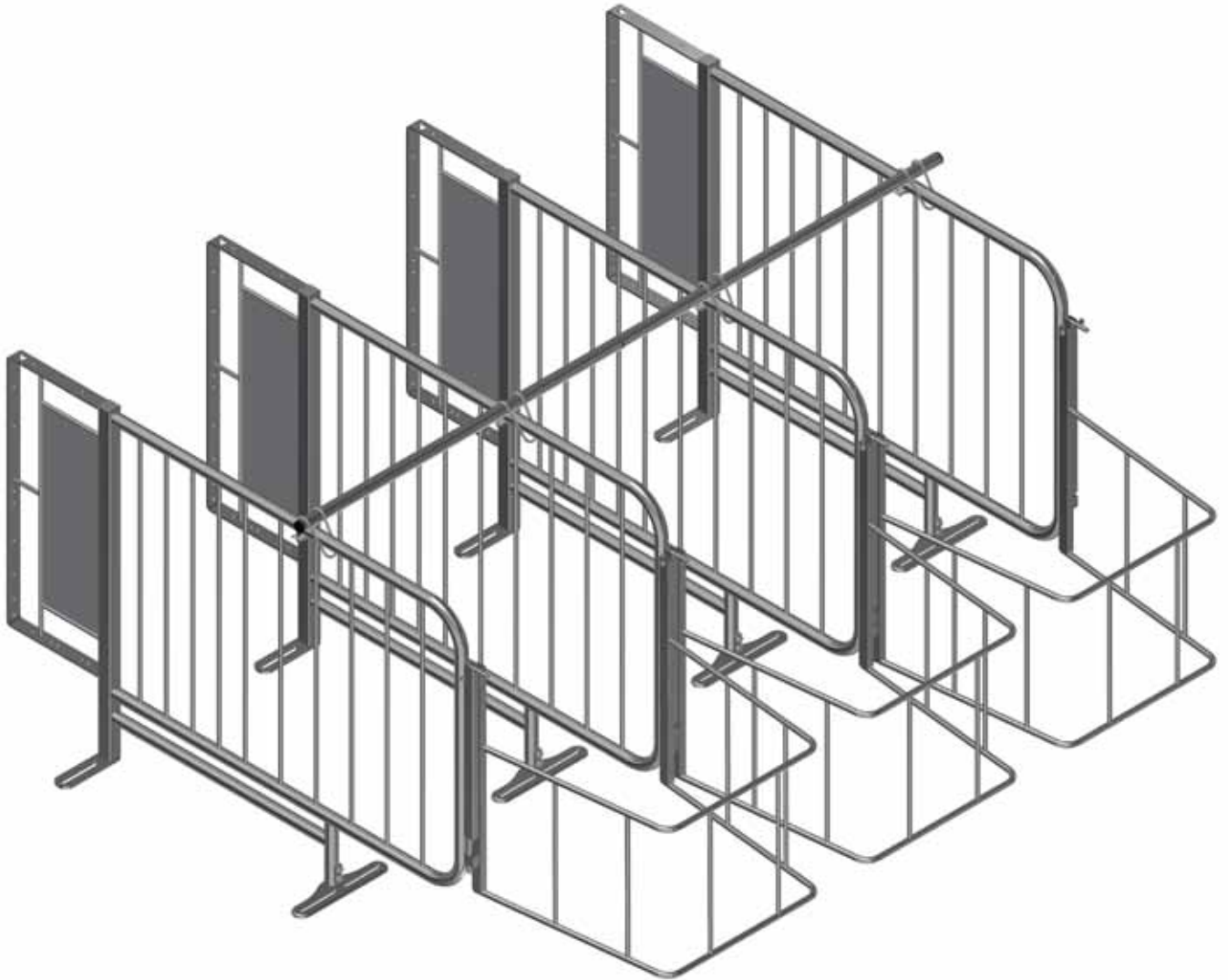


# MOUNTING INSTRUCTION



## COMPACT BOX



**ACO FUNKI A/S**

Kirkevænget 5  
DK-7400 Herning

Tel. +45 9711 9600

Fax +45 9711 9677

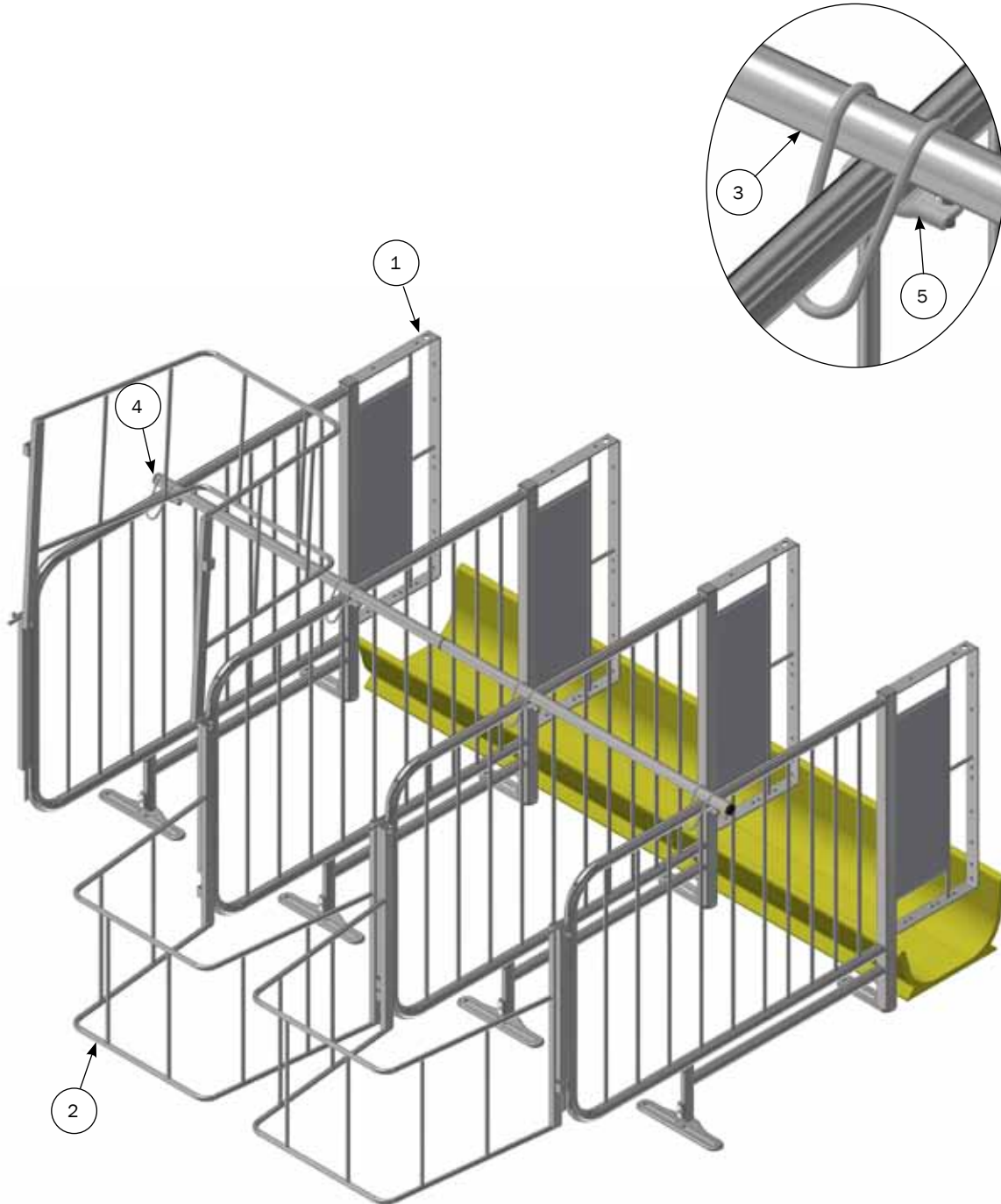
[www.acofunki.com](http://www.acofunki.com)

**FUNKI**

**DANISH DESIGN | GERMAN QUALITY | GLOBAL EXPERIENCE**

## Complete compact box

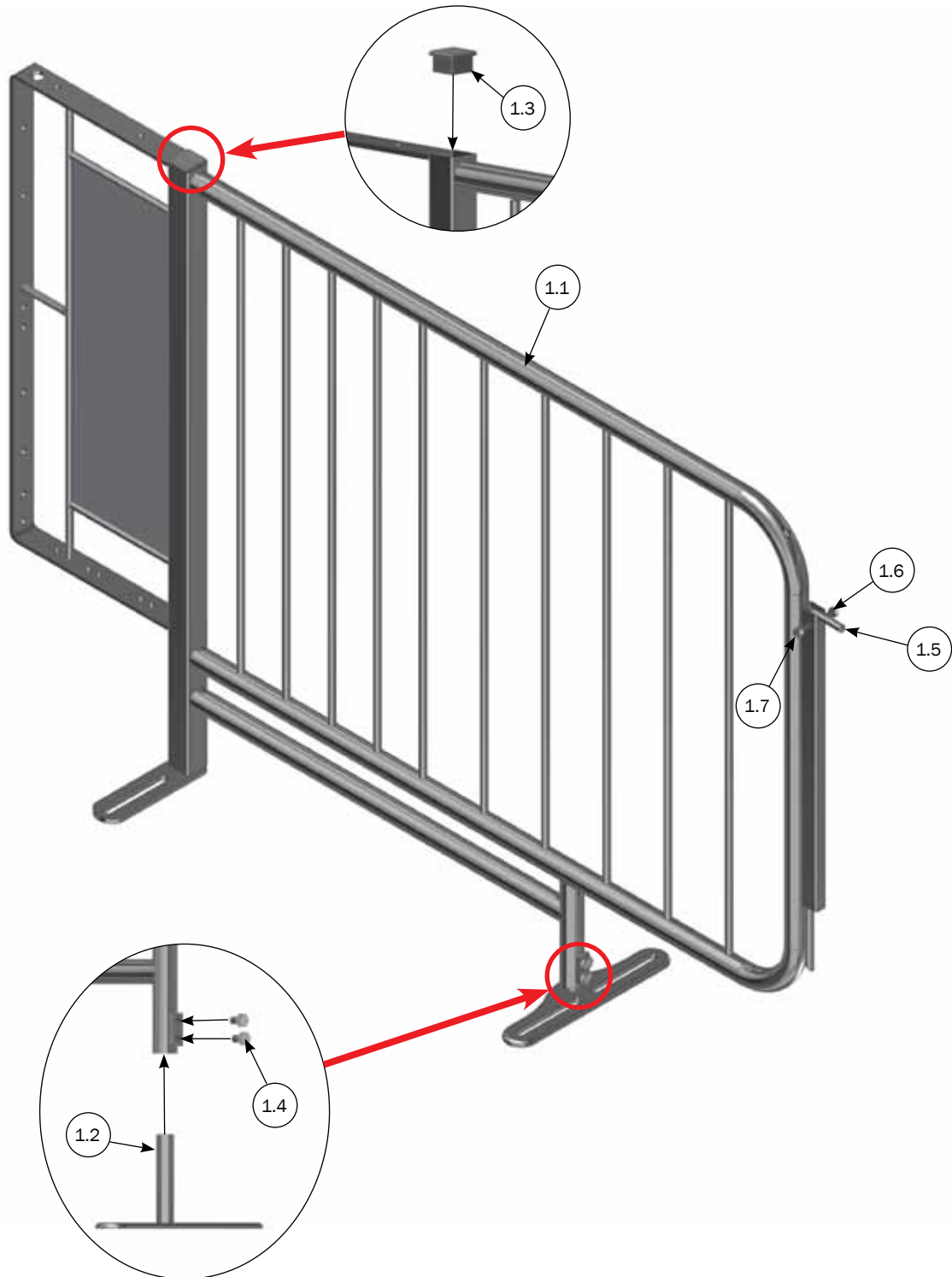
For mounting of front bars, look at mounting instruction : M-6183  
 For mounting of front gate, look at mounting instruction : M-6194



### PARTS LIST

No	ITEM No	DESCRIPTION
1	1200126	COMPACT 1200
2	1220124	BASKET SHORT FOR COMPACT 1200
3	94001	1' PIPE GALVANIZED 6 METER WITHOUT THRED, INCL. PIPE CONNECTOR
4	9960006	ROUND CAP BLACK (1' PIPE)
5	9930014	WINDING CLAMP 1' X 1'

## Parts list for compact 1200

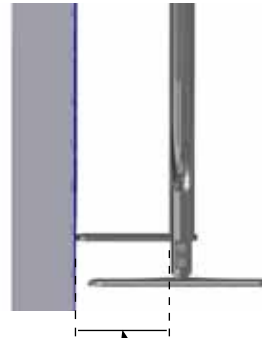
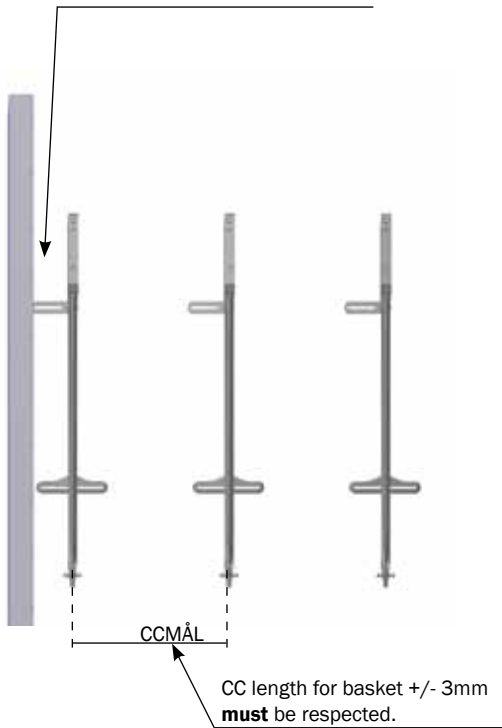


### PARTS LIST

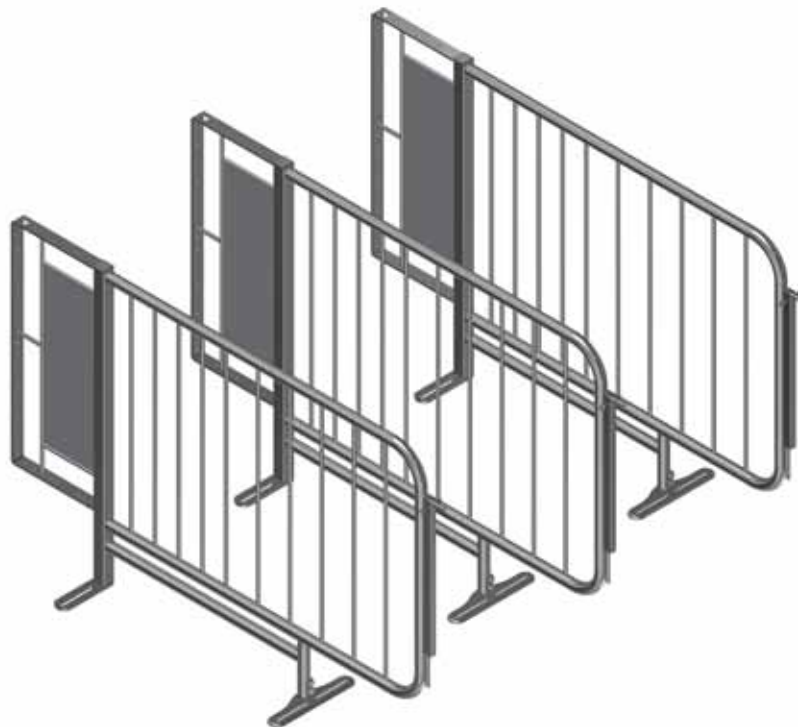
No	PCS	ITEM No	DESCRIPTION
1	1	1200126	COMPACT 1200
1.1	1	1220126	PARTITION COMPACT 1200
1.2	1	58864	ADJUSTABLE SUPPORT FOR BOX
1.3	1	9960003	CAP 40 X 40 X 1.5 - 4.0
1.4	2	30310016	SET SCREW M10X16 A2 DIN 933
1.5	1	554327	LOCK FOR BASKET BOX 180/220
1.6	1	30308070	SET SCREW M8X70 A2 DIN 933
1.7	1	33908001	LOCK NUT M8 A2 DIN 985

## Mounting of partition against wall

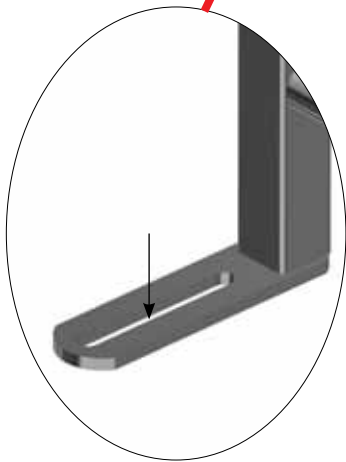
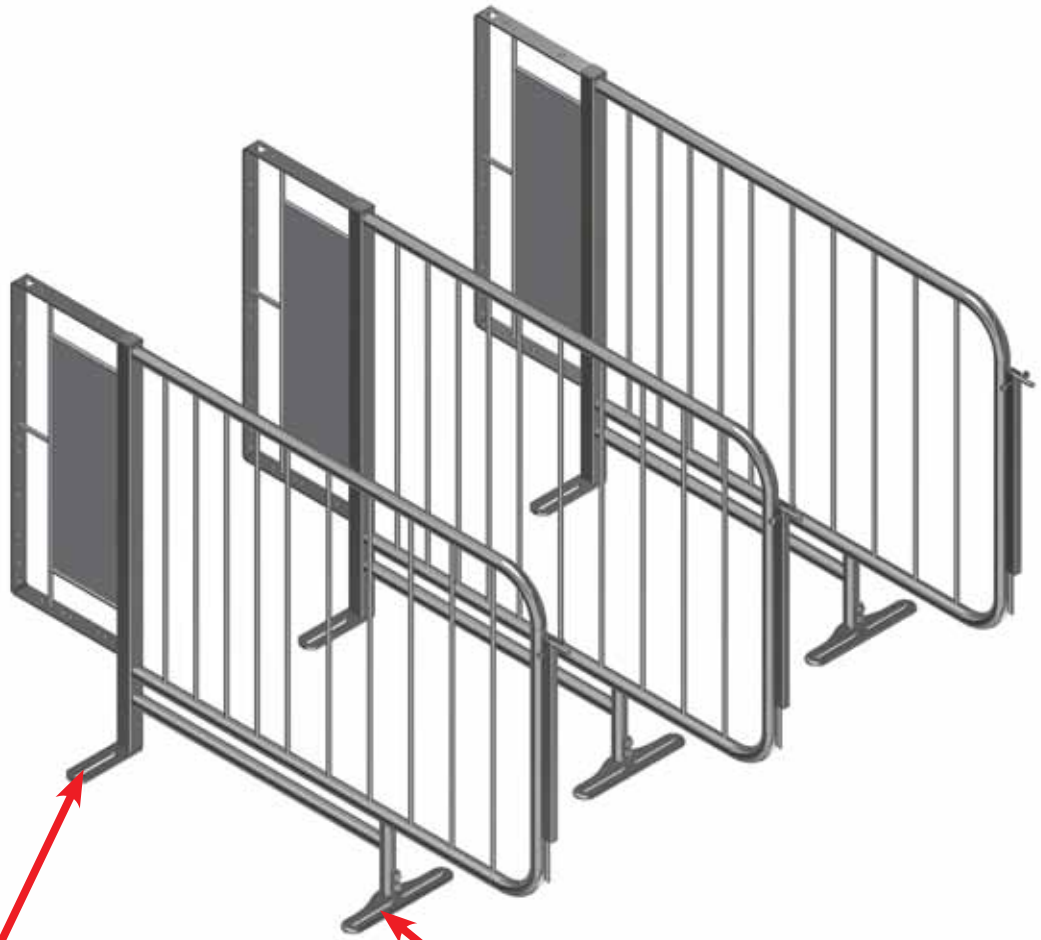
For partition against wall:  
Place adjustable support for box  
completely up against the wall.



For Partition closer to the wall, the  
adjustable support for box must be  
shortened on the site. **Min. 50mm**

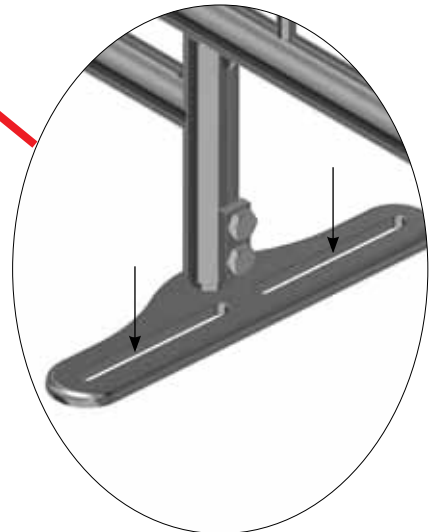


## Mounting in full slats floor



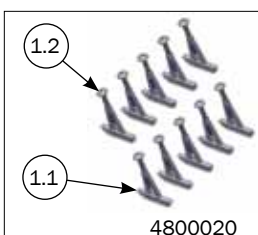
**Must be bought separately.**

For mounting in full slats floor use:  
1 Pcs "4800020"



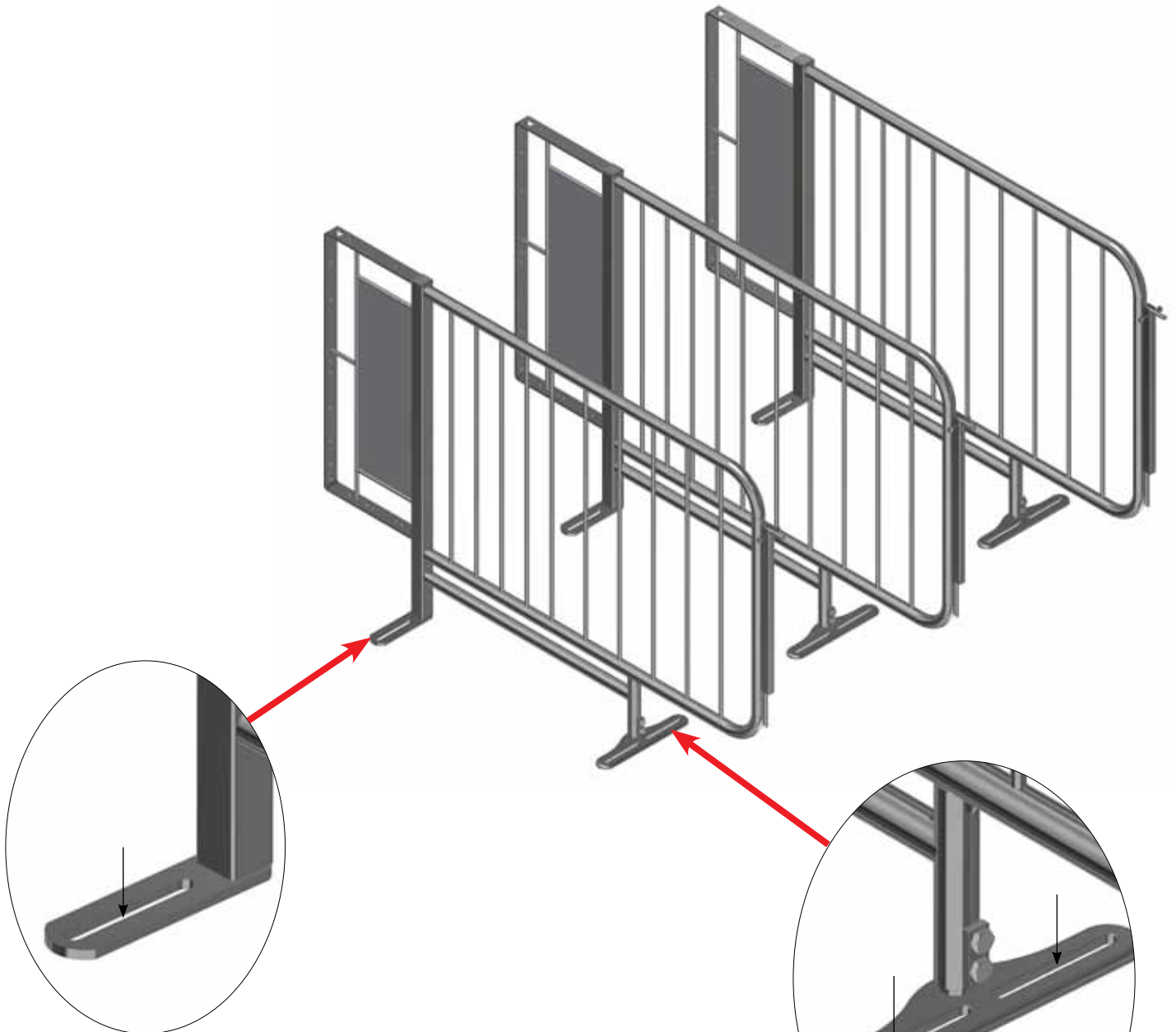
**Must be bought separately.**

For mounting in full slats floor use:  
2 Pcs "4800020"



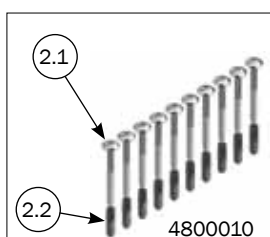
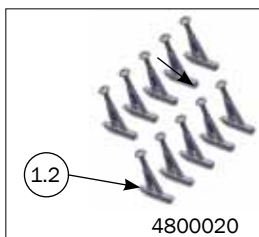
PARTS LIST			
No	PCS	ITEM No	DESCRIPTION
1	1	4800020	10 PCS. T-BOLT FOR 80-130 MM CONCRETE SLATS STAINLESS STEEL
1.1	(10) 3	90100078	T-BOLT CAST M10 STAINLESS STEEL
1.2	(10) 3	30310080	BUTTON HEAD TORX 50 M10X80 STAINLESS STEEL

## Mounting in partial slats floor



**Must be bought separately.**  
For mounting in partial slats floor use:  
1 Pcs "4800010"

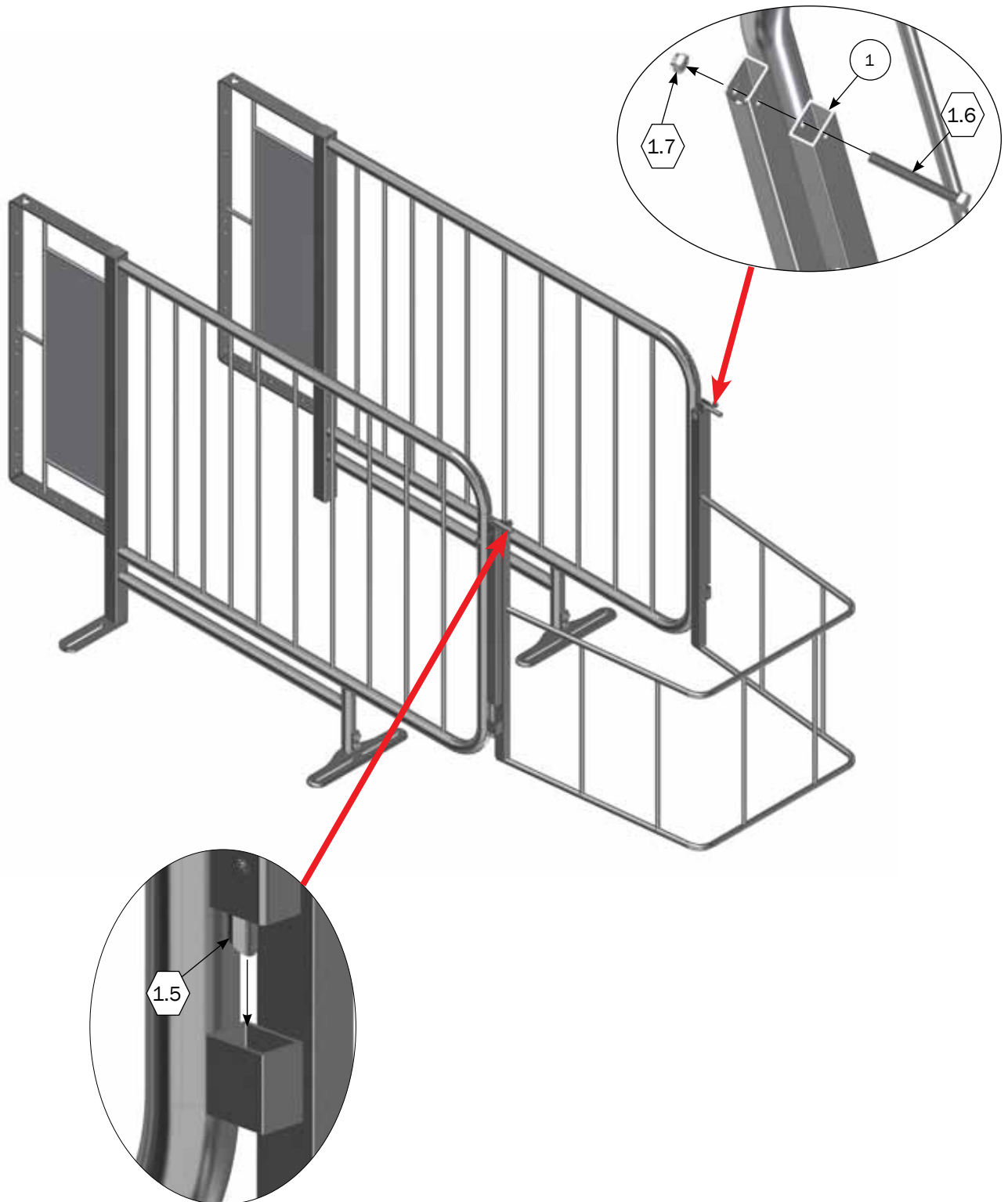
**Must be bought separately.**  
For mounting in partial slats floor use:  
1 Pcs "4800020"



PARTS LIST			
No	PCS	ITEM No	DESCRIPTION
1	1	4800020	10 PCS. T-BOLT FOR 80-130 MM CONCRETE SLATS STAINLESS STEEL
1.1	(10) 2	90100078	T-BOLT CAST M10 STAINLESS STEEL
1.2	(10) 2	30310080	BUTTON HEAD TORX 50 M10X80 STAINLESS STEEL
2	1	4800010	10 PCS. SS BUTTON HEAD SCREWS 10X70 + WALL PLUG
2.1	(10) 1	67444	10 X 70 BUTTON HEAD TORX 50 STAINLESS STEEL
2.2	(10) 1	39900001	WALL PLUG 12X60 MM

## Mounting of basket short for compact 1200

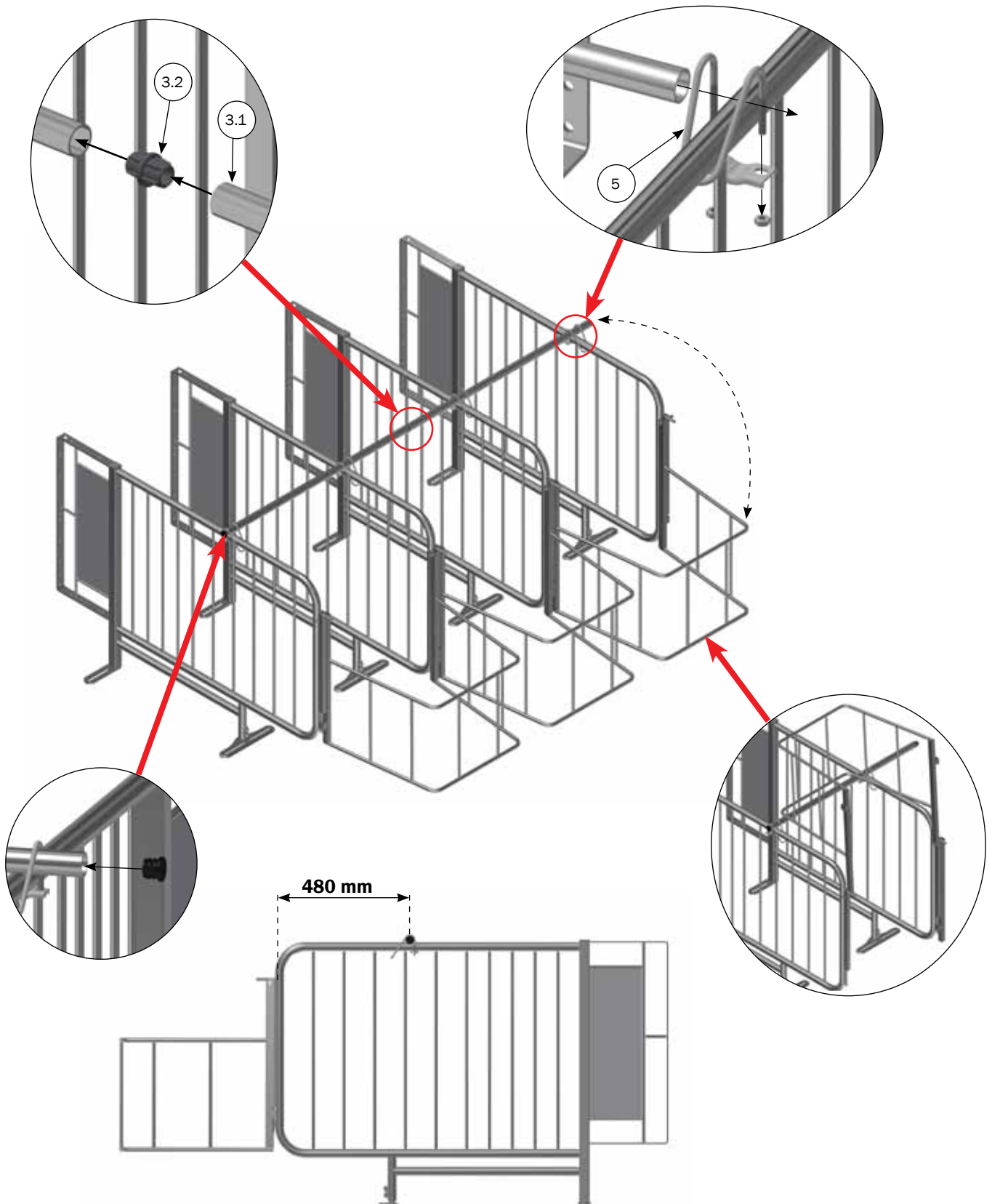
⬡ For parts list look at page 3



### PARTS LIST

No	PCS	ITEM No	DESCRIPTION
1	1	1220124	BASKET SHORT FOR COMPACT 1200

## Mounting of pipes for stabilization



### PARTS LIST

No	PCS	ITEM No	DESCRIPTION
3	1	94001	1' PIPE GALVANIZED 6 METER WITHOUT THRED, INCL. PIPE CONNECTOR
3.1	1	112406	33.7 X 2.60 PIPE GALV. PRICE PER METER, LENGTH 6 METER
3.2	1	16389	PIPE CONNECTOR 1, GAVL.
4	1	9960006	ROUND CAP BLACK (1' PIPE)
5	1	9930014	WINDING CLAMP 1' X 1'