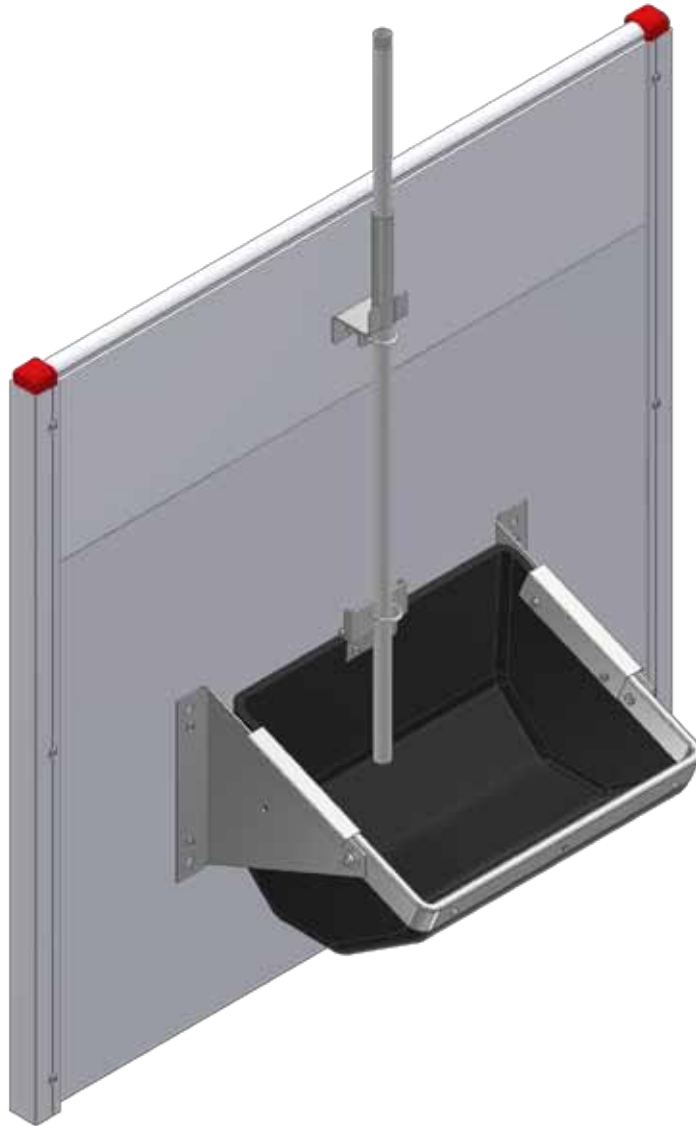


MOUNTING INSTRUCTION



TILT TROUGH FOR SOWS WITH SUPPORT



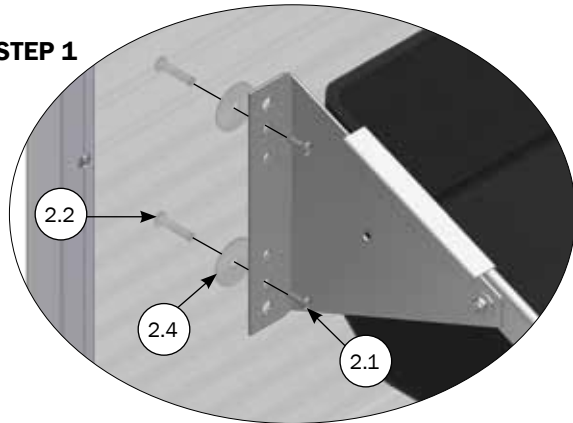
ACO FUNKI A/S
Kirkevænget 5
DK-7400 Herning

Tel. +45 9711 9600
Fax +45 9711 9677
www.acofunki.com

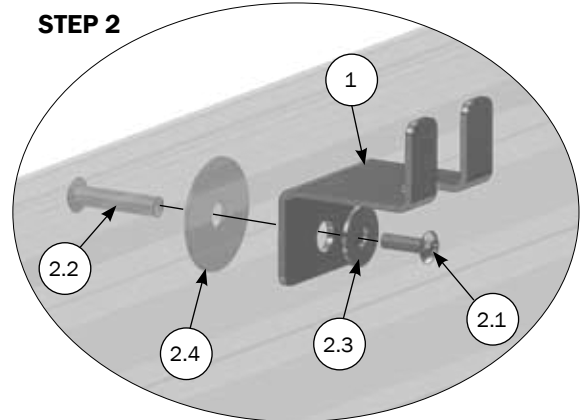
DANISH DESIGN | GERMAN QUALITY | GLOBAL EXPERIENCE

Single/double tilt trough for sows on board profile

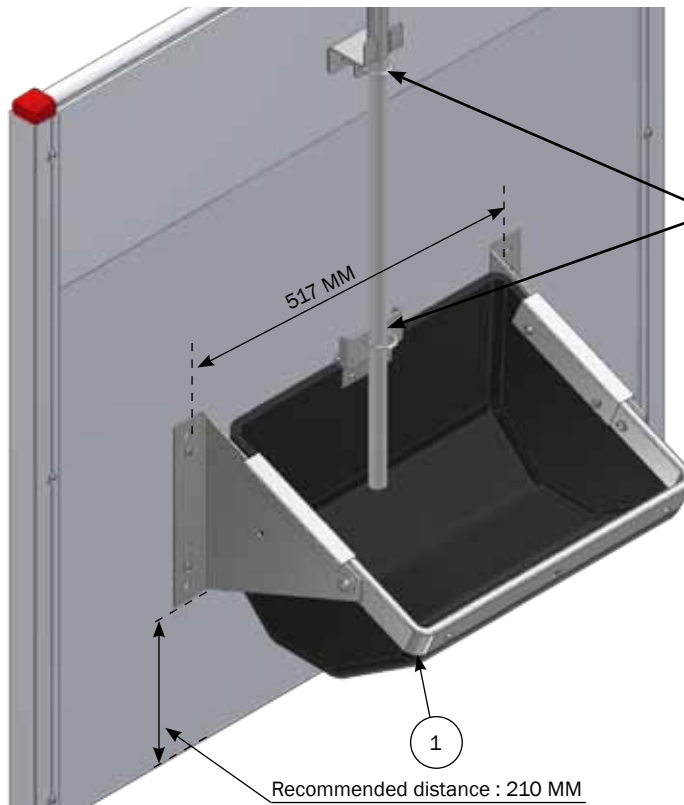
STEP 1



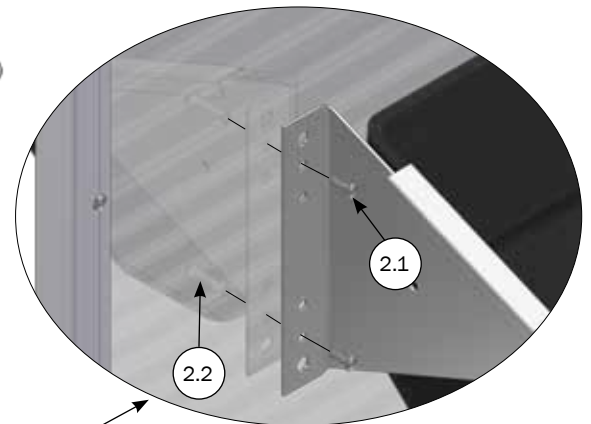
STEP 2



Bracket is mounted as high as possible.



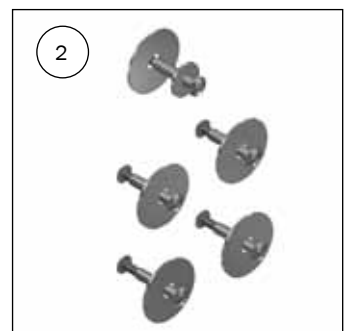
Mounting of u-clamp for tilt function, at the back of this manual.



*Pos. 2.4 is not in use when mounting tilt trough on both sides.

Parts list

No.	Pcs.	Item No.	Description
1	2	1205902	TILT TROUGH FOR SOWS WITH SUPPORT
2	1 (2)	4900901	MOUNTING SET FOR TILT TROUGH FOR SOWS ON BOARD PROFILE
2.1	5 (10)	39106020	CONNECTION SCREW M6X20 STAINLESS TORX 30
2.2	5 (10)	39206037	SPLICING SLEEVE M6X37 STAINLESS TORX 30
2.3	1 (2)	35600058	NUT WASHER Ø8X8,4/24/2 A2 DIN9021
*2.4	5 (10)	20037	MASTER CLAMP WASHER Ø10,5/45 1,5 A2

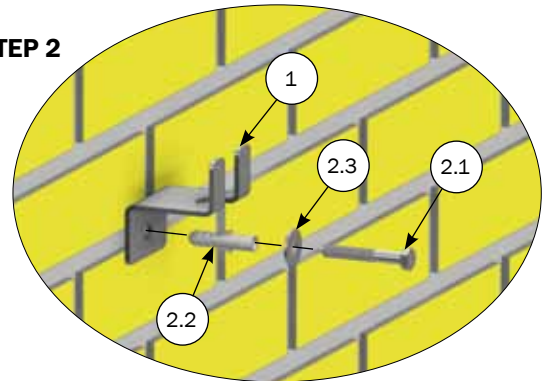


Tilt trough for sows on wall



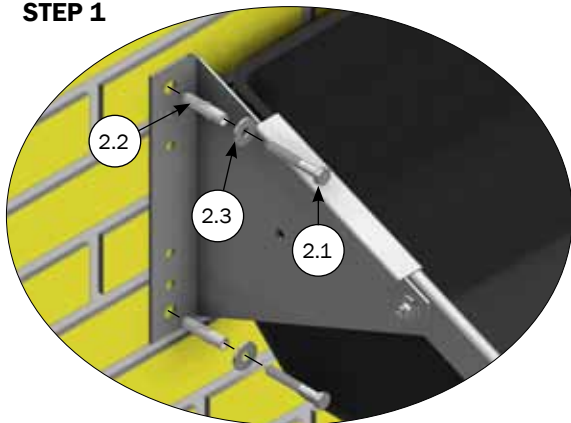
Mounting of u-clamp for tilt function, at the back of this manual.

STEP 2

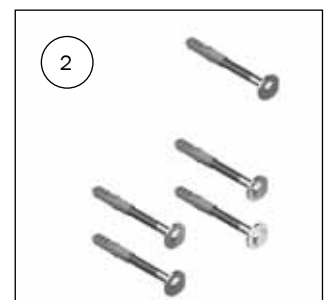


Bracket is mounted as high as possible.

STEP 1

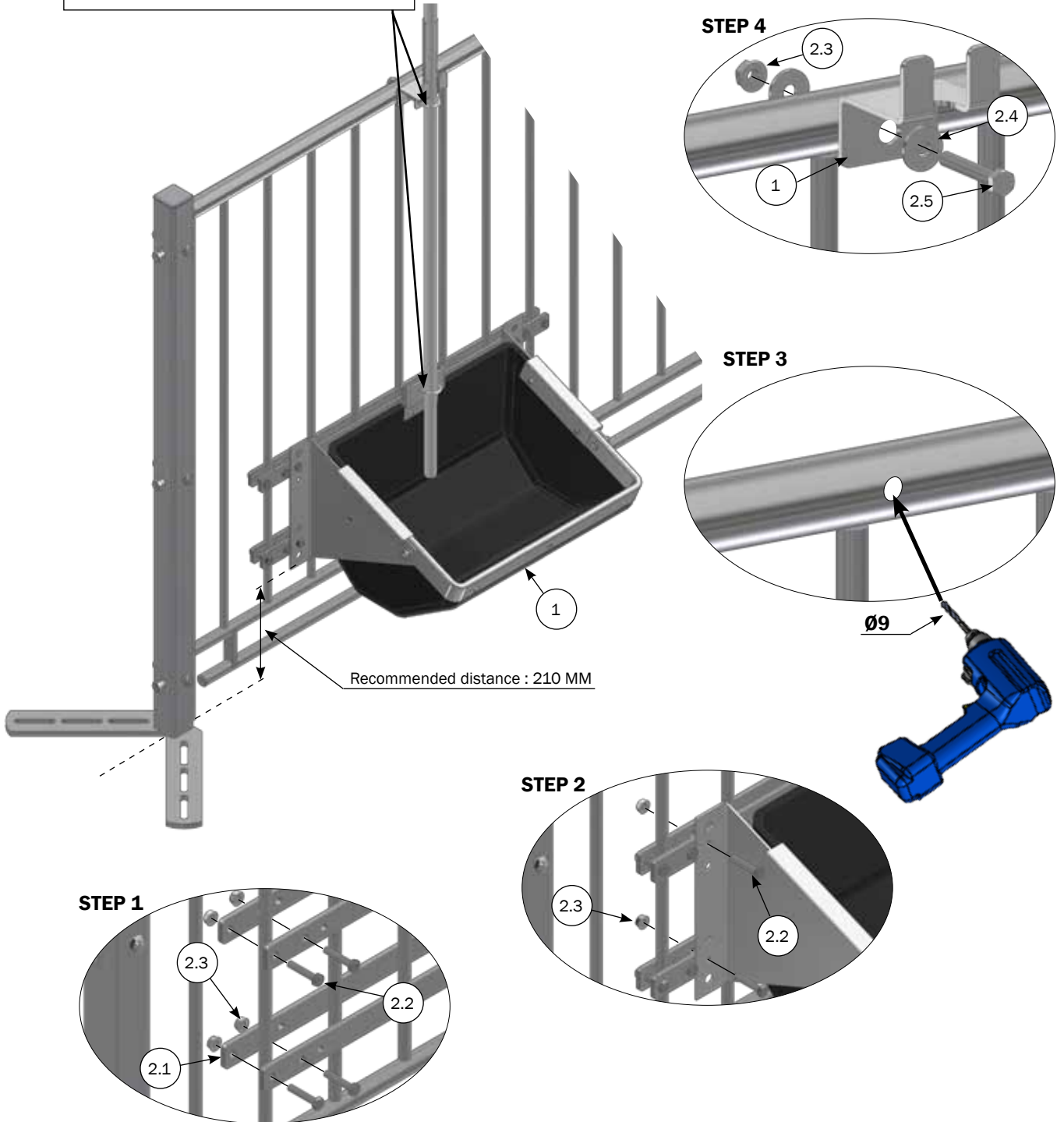


Parts list			
No.	Pcs.	Item No.	Description
1	1	1205902	TILT TROUGH FOR SOWS WITH SUPPORT
2	1	4900902	MOUNTING SET FOR TILT TROUGH FOR SOWS ON WALL
2.1	5	34908061	COUCH SCREW M8X60 A2 DIN 571
2.2	5	39900120	WALL PLUG 10X50MM
2.3	5	35600058	NUT WASHER Ø8X8,4/24/2 A2 DIN9021



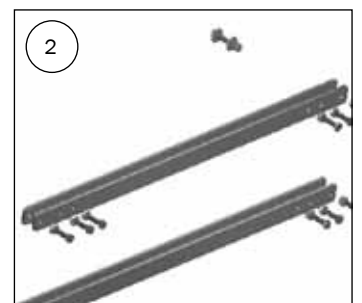
Single tilt trough for sows on bars

Mounting of u-clamp for tilt function, at the back of this manual.



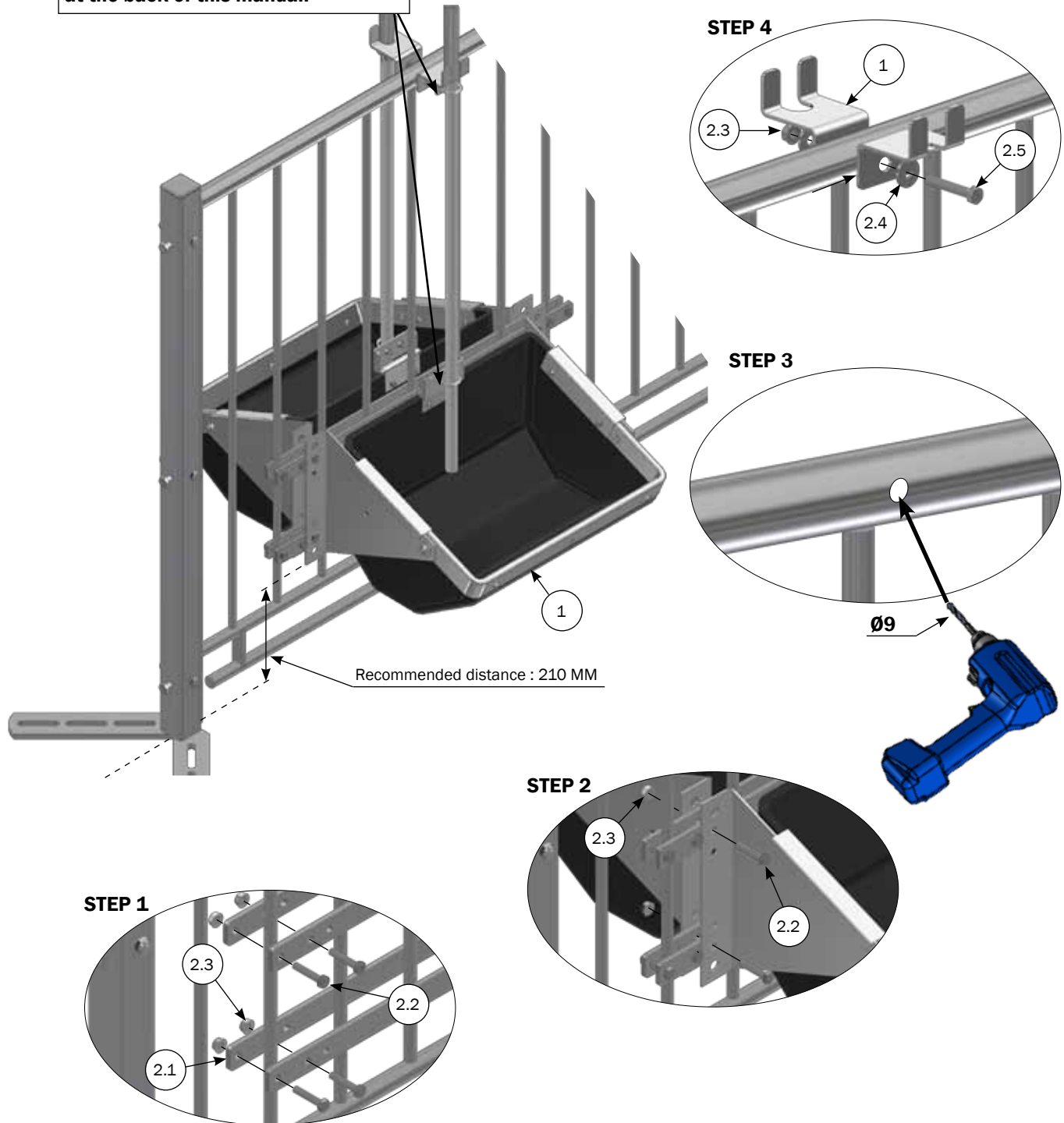
Parts list

No.	Pcs.	Item No.	Description
1	1	1205902	TILT TROUGH FOR SOWS WITH SUPPORT
2	1	4900903	MOUNTING SET FOR TILT TROUGH FOR SOWS ON BARS
2.1	4	96046	FLAT IRON F/MOUNT. SOW TROUGH ON BARS
2.2	12	30308040	SET SCREW M8X40 ST DIN 933
2.3	13	68552	M8 FLANGE NUT DIN 6923 A2
2.4	2	35600058	NUT WASHER Ø8X8,4/24/2 A2 DIN9021
2.5	1	30308050	SET SCREW M8X50 A2 DIN 933

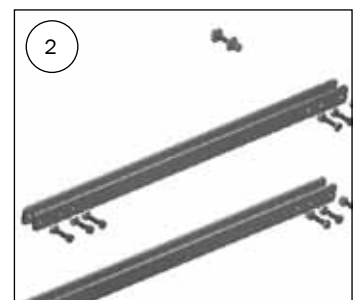


Double tilt trough for sows on bars

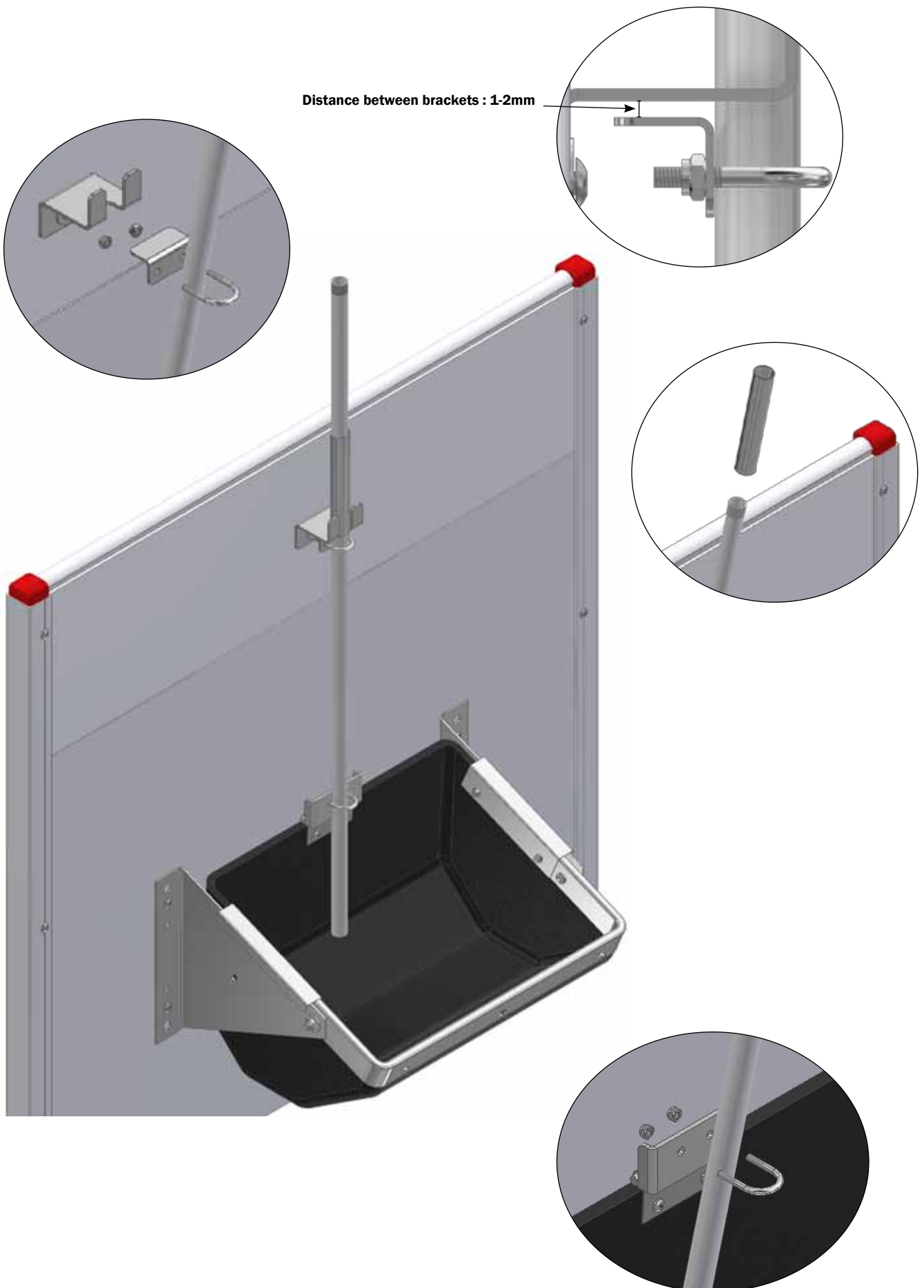
Mounting of u-clamp for tilt function, at the back of this manual.



Parts list			
No.	Pcs.	Item No.	Description
1	1	1205902	TILT TROUGH FOR SOWS WITH SUPPORT
2	1	4900903	MOUNTING SET FOR TILT TROUGH FOR SOWS ON BARS
2.1	4	96046	FLAT IRON F/MOUNT. SOW TROUGH ON BARS
2.2	12	30308040	SET SCREW M8X40 ST DIN 933
2.3	13	68552	M8 FLANGE NUT DIN 6923 A2
2.4	1	35600058	NUT WASHER Ø8X8,4/24/2 A2 DIN9021
2.5	1	30308050	SET SCREW M8X50 A2 DIN 933



Mounting of u-clamp



How to use the tilt function

