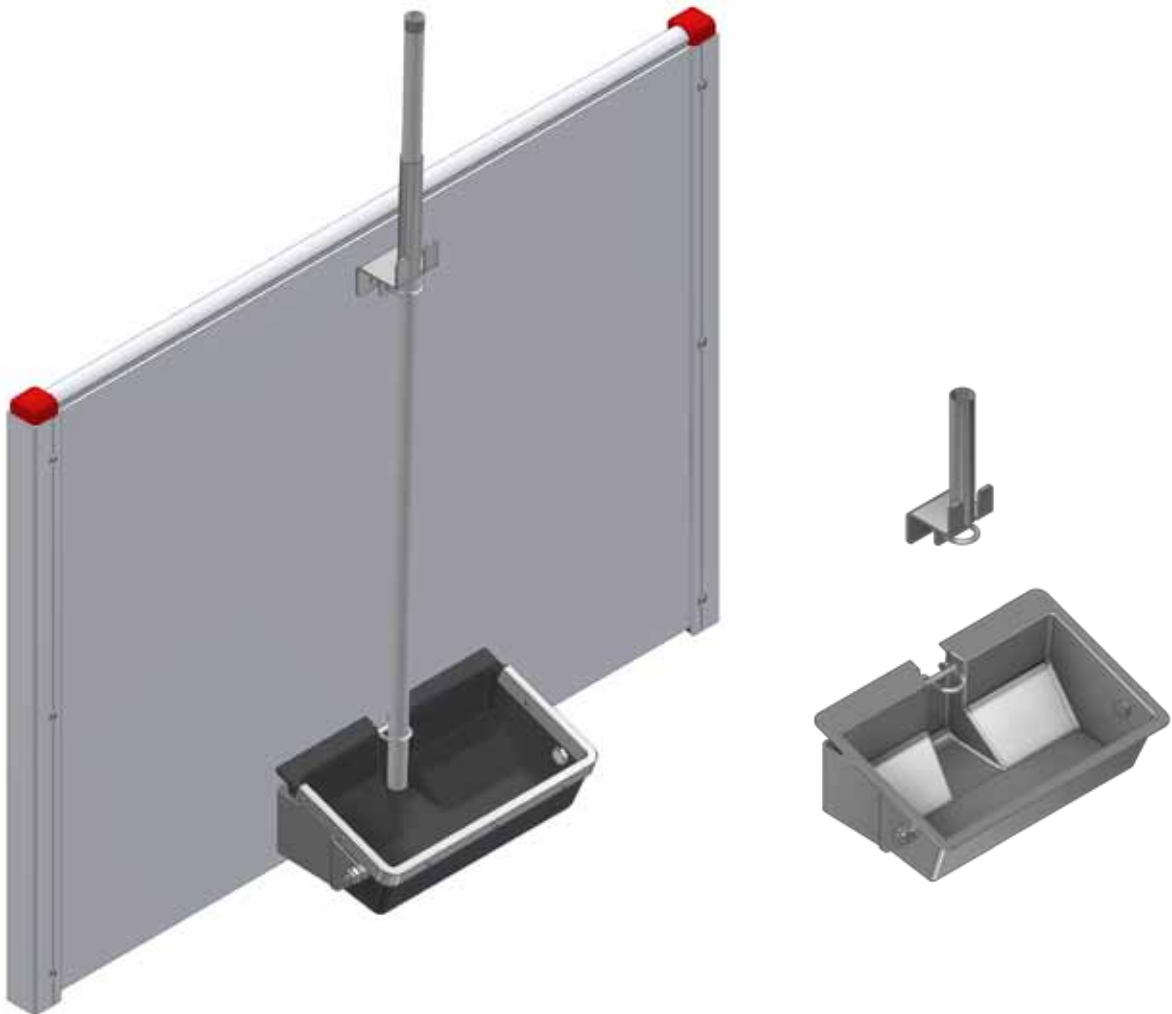


MOUNTING INSTRUCTION



TILT TROUGH FOR PIGLETS PVC/STAINLESS STEEL WITH SUPPORT



ACO FUNKI A/S

Kirkevænget 5
DK-7400 Herning

Tel. +45 9711 9600

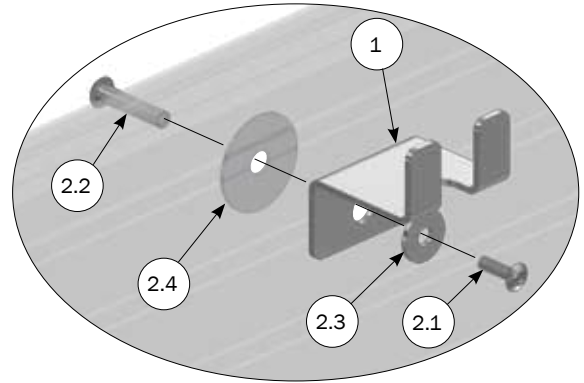
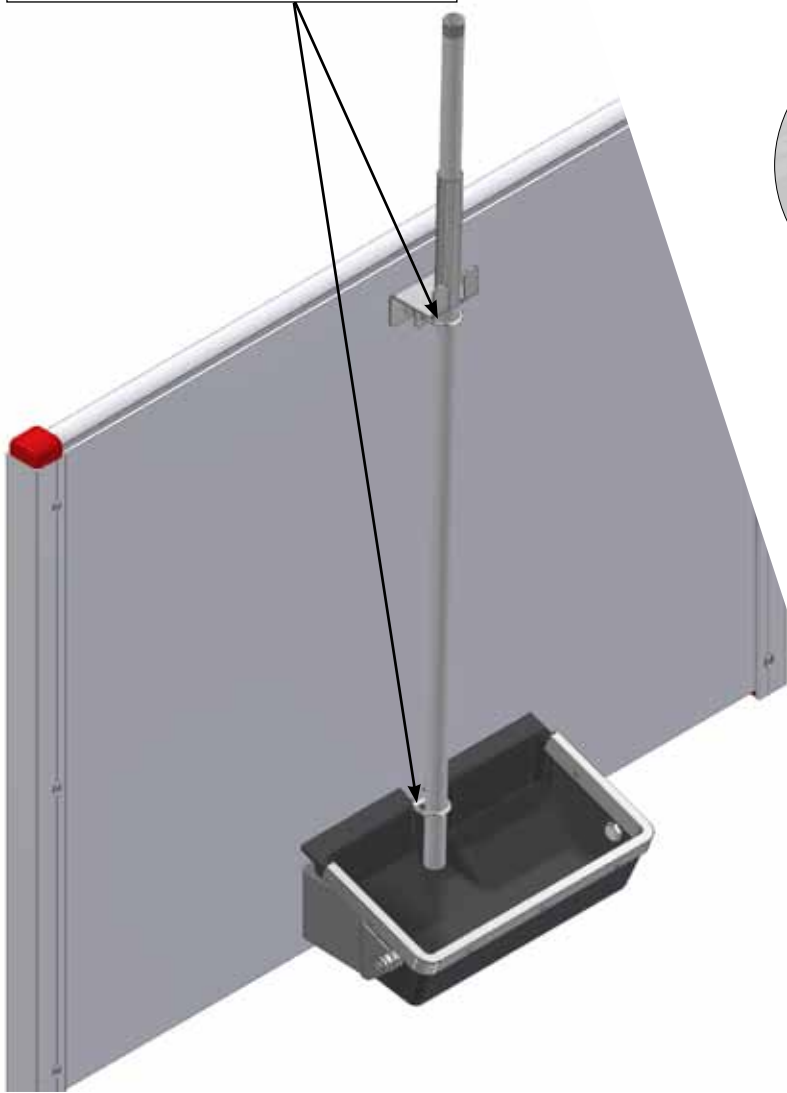
Fax +45 9711 9677

www.acofunki.com

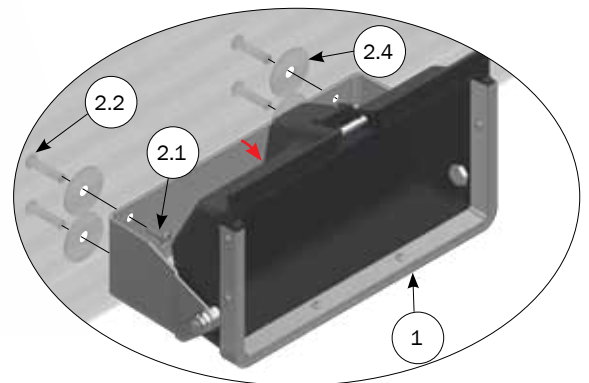
DANISH DESIGN | GERMAN QUALITY | GLOBAL EXPERIENCE

Single til trough for piglets on board profile

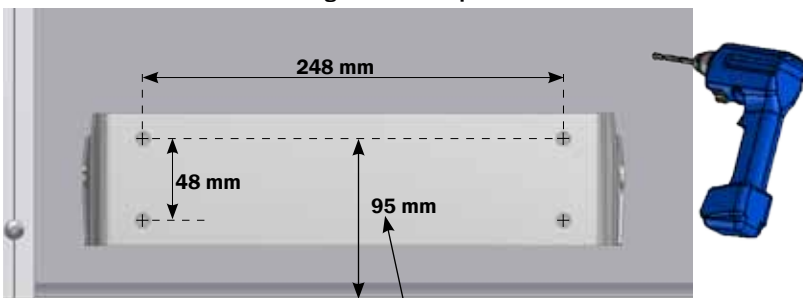
Mounting of u-clamp for tilt function, at the back of this manual.



Brackets is mounted as high as possible.



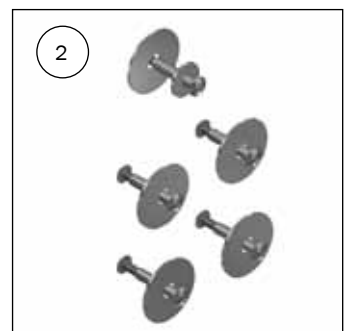
Predrilling in the board profile



Recommended distance

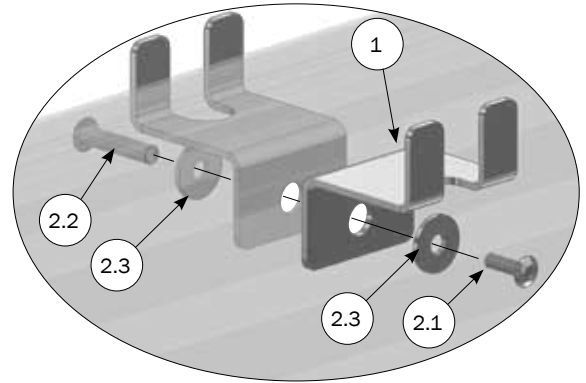
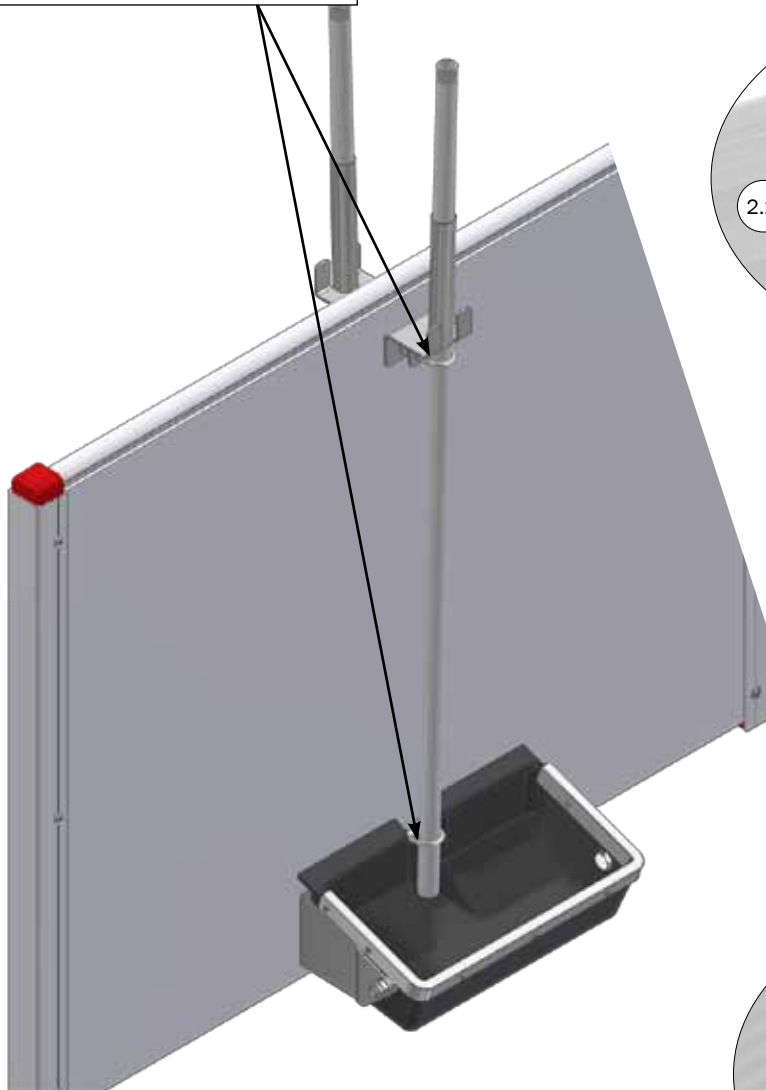
Parts list

No.	Pcs.	Item No.	Description
		1205903	TILT TROUGH FOR PIGLETS SS WITH SUPPORT
1	1	1205901	TILT TROUGH FOR PIGLETS PVC WITH SUPPORT
2	1	4900901	MOUNTING SET FOR TILT TROUGH ON BOARD PROFILE
2.1	5	39106020	CONNECTION SCREW M6X20 STAINLESS TORX 30
2.2	5	39206037	SPLICING SLEEVE M6X37 STAINLESS TORX 30
2.3	1	35600058	NUT WASHER Ø8X8,4/24/2 A2 DIN9021
2.4	5	20037	MASTER CLAMP WASHER Ø10,5/45 1,5 A2

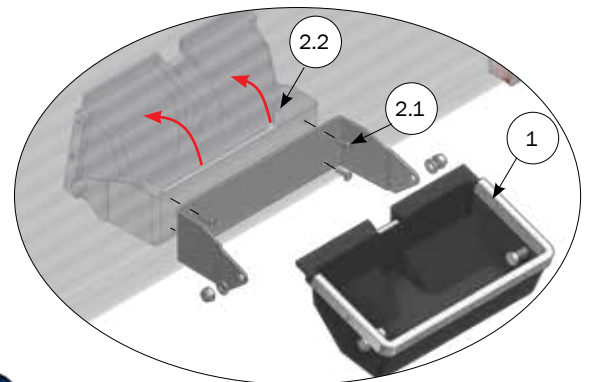


Double tilt trough for piglets on board profile

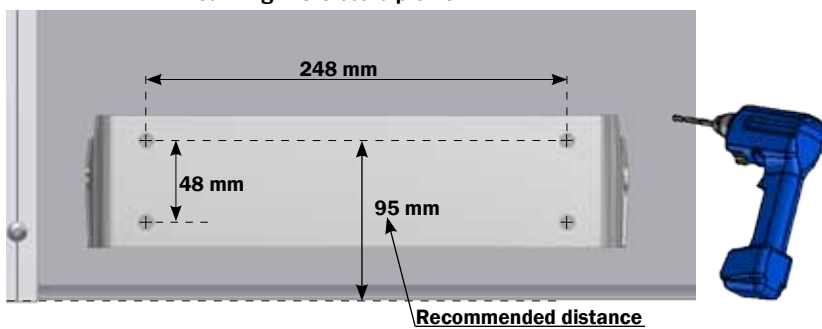
Mounting of u-clamp for tilt function, at the back of this manual.



Brackets is mounted as high as possible.



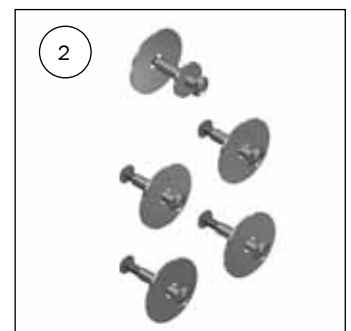
Predrilling in the board profile



*Pos. 2.4 is not in use when mounting tilt trough on both sides.

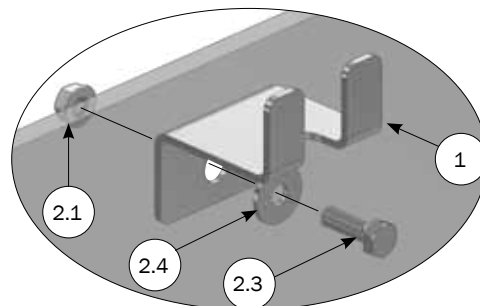
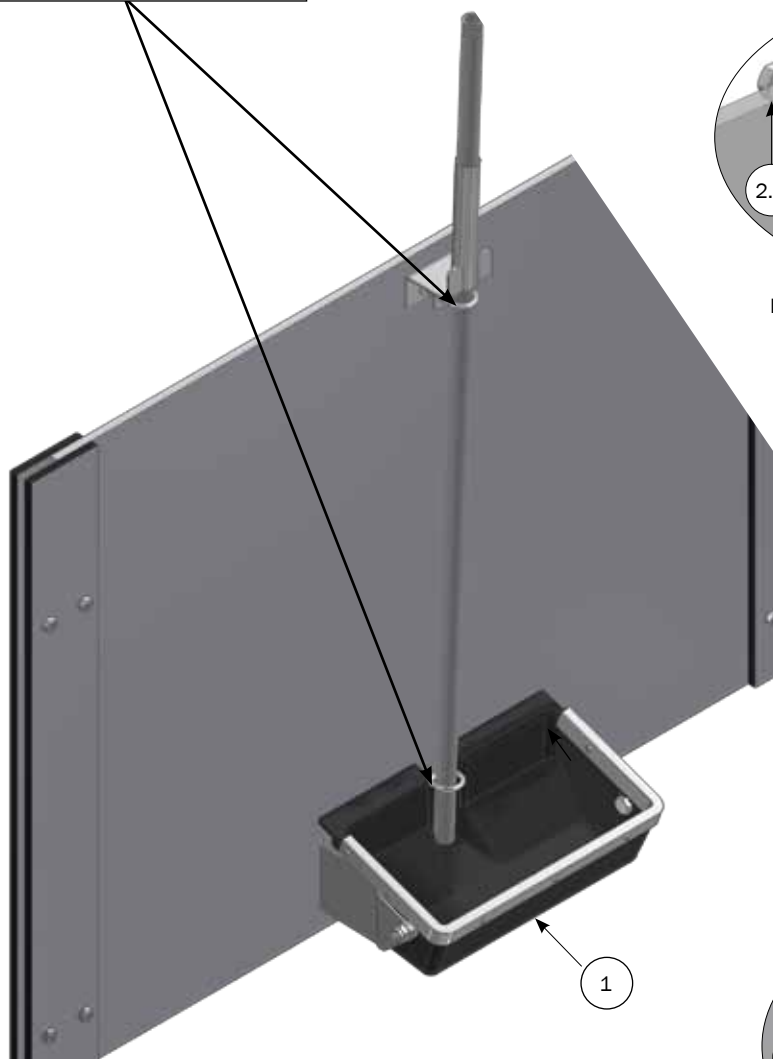
Parts list

No.	Pcs.	Item No.	Description
		1205903	TILT TROUGH FOR PIGLETS SS WITH SUPPORT
1	2	1205901	TILT TROUGH FOR PIGLETS PVC WITH SUPPORT
2	1 (2)	4900901	MOUNTING SET FOR TILT TROUGH ON BOARD PROFILE
2.1	5 (10)	39106020	CONNECTION SCREW M6X20 STAINLESS TORX 30
2.2	5 (10)	39206037	SPLICING SLEEVE M6X37 STAINLESS TORX 30
2.3	1 (2)	35600058	NUT WASHER Ø8X8,4/24/2 A2 DIN9021
*2.4	5 (10)	20037	MASTER CLAMP WASHER Ø10,5/45 1,5 A2

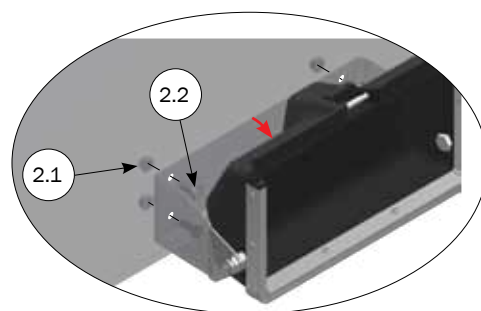


Single tilt trough for piglets on plate

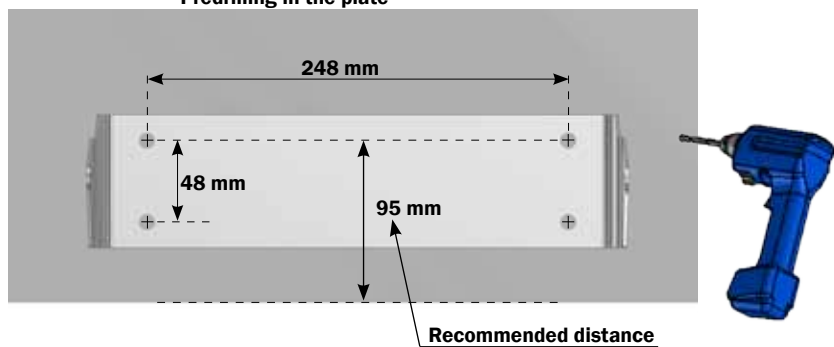
Mounting of u-clamp for tilt function, at the back of this manual.



Brackets is mounted as high as possible.



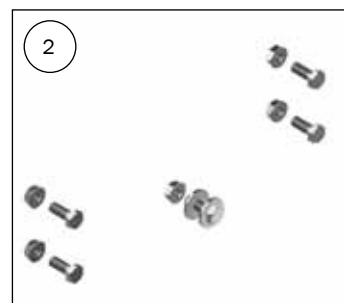
Predrilling in the plate



Recommended distance

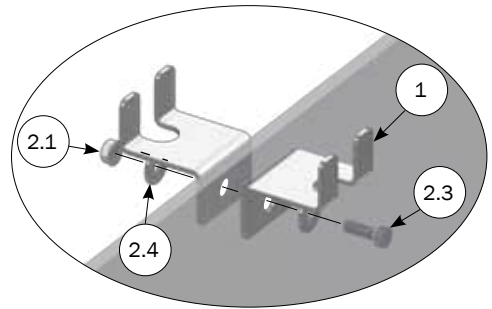
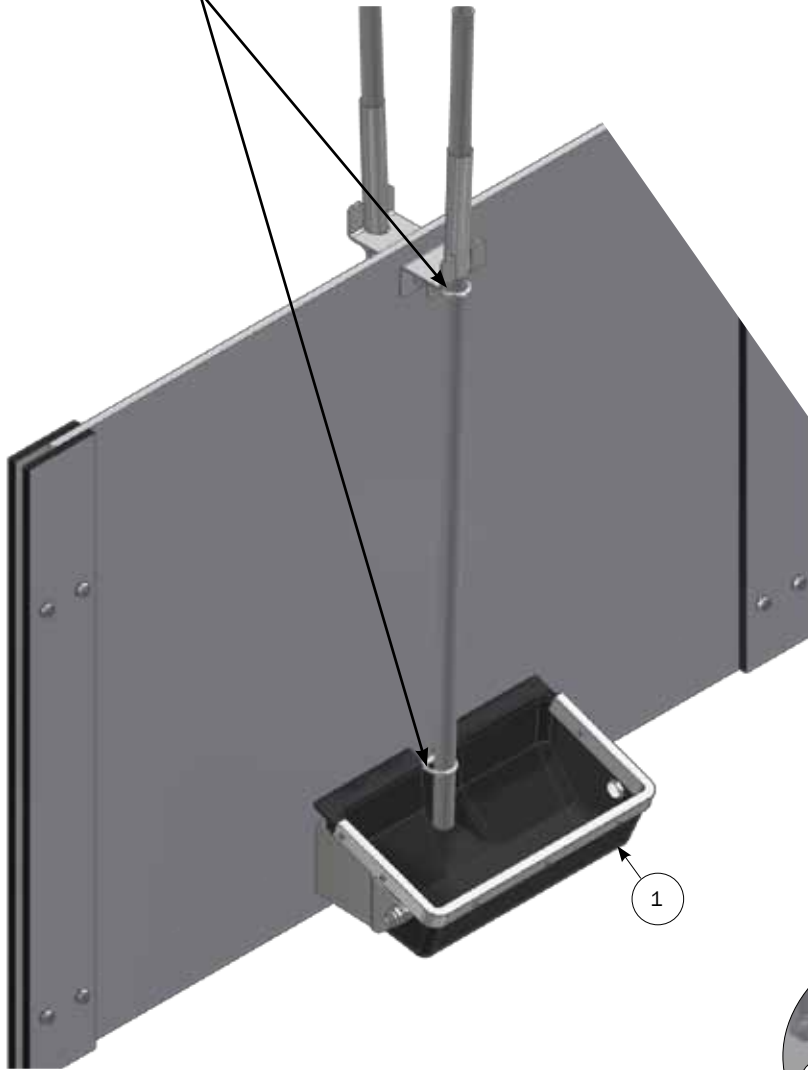
Parts list

No.	Pcs.	Item No.	Description
		1205903	TILT TROUGH FOR PIGLETS SS WITH SUPPORT
1	1	1205901	TILT TROUGH FOR PIGLETS PVC WITH SUPPORT
2	1	4900904	MOUNTING SET FOR TILT TROUGH ON PLATE
2.1	5	68552	M8 FLANGE NUT DIN 6923 A2
2.2	4	30308020	SET SCREW M8X20 A2 DIN 933
2.3	1	30308025	SET SCREW M8X25 A2 DIN 933
2.4	2	35600058	NUT WASHER Ø8X8,4/24/2 A2 DIN9021

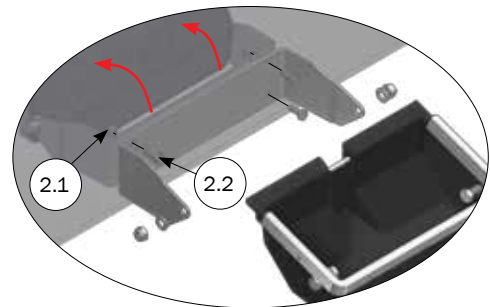


Double tilt trough for piglets on plate

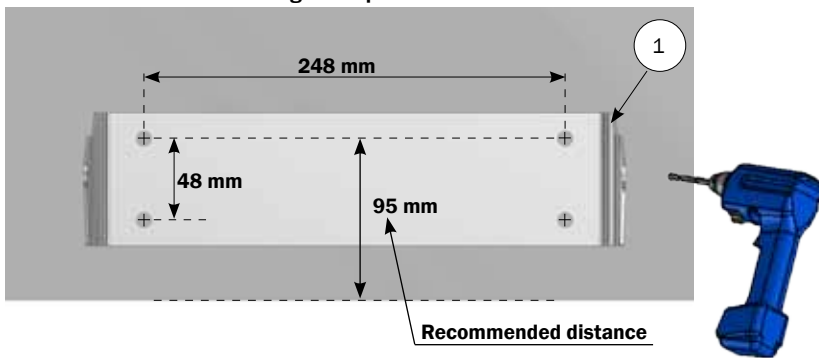
Mounting of u-clamp for tilt function, at the back of this manual.



Brackets is mounted as high as possible.



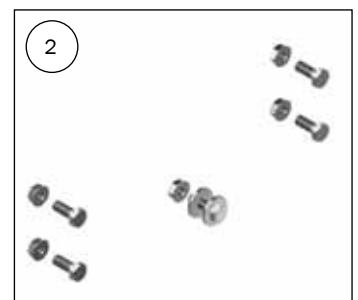
Predrilling in the plate



Recommended distance

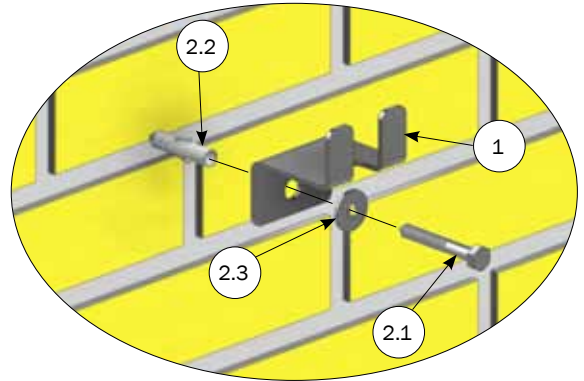
Parts list

No.	Pcs.	Item No.	Description
		1205903	TILT TROUGH FOR PIGLETS SS WITH SUPPORT
1	1	1205901	TILT TROUGH FOR PIGLETS PVC WITH SUPPORT
2	1	4900904	MOUNTING SET FOR TILT TROUGH ON PLATE
2.1	5	68552	M8 FLANGE NUT DIN 6923 A2
2.2	4	30308020	SET SCREW M8X20 A2 DIN 933
2.3	1	30308025	SET SCREW M8X25 A2 DIN 933
2.4	2	35600058	NUT WASHER Ø8X8,4/24/2 A2 DIN9021



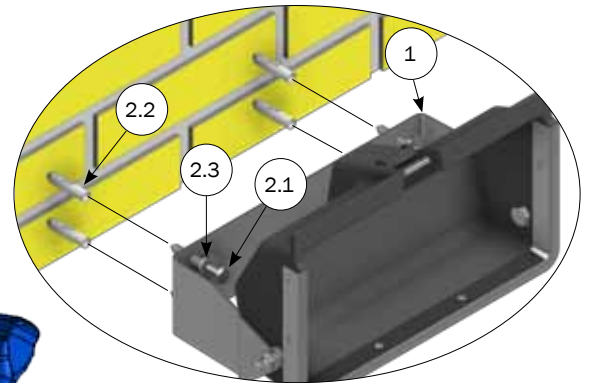
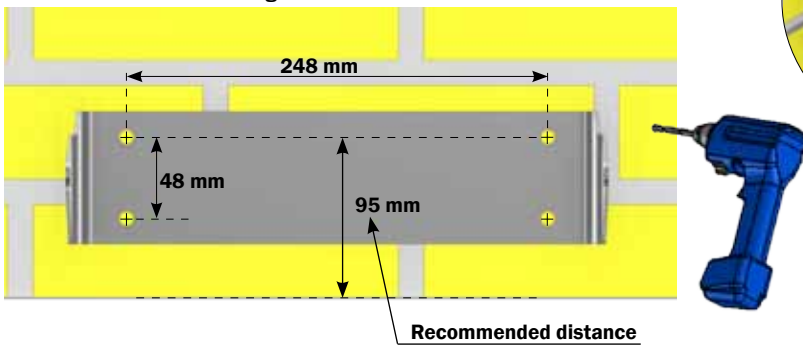
Tilt trough for piglets on wall

Mounting of u-clamp for tilt function, at the back of this manual.

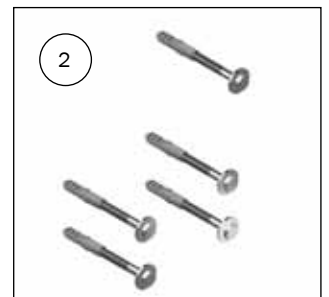


Brackets is mounted as high as possible.

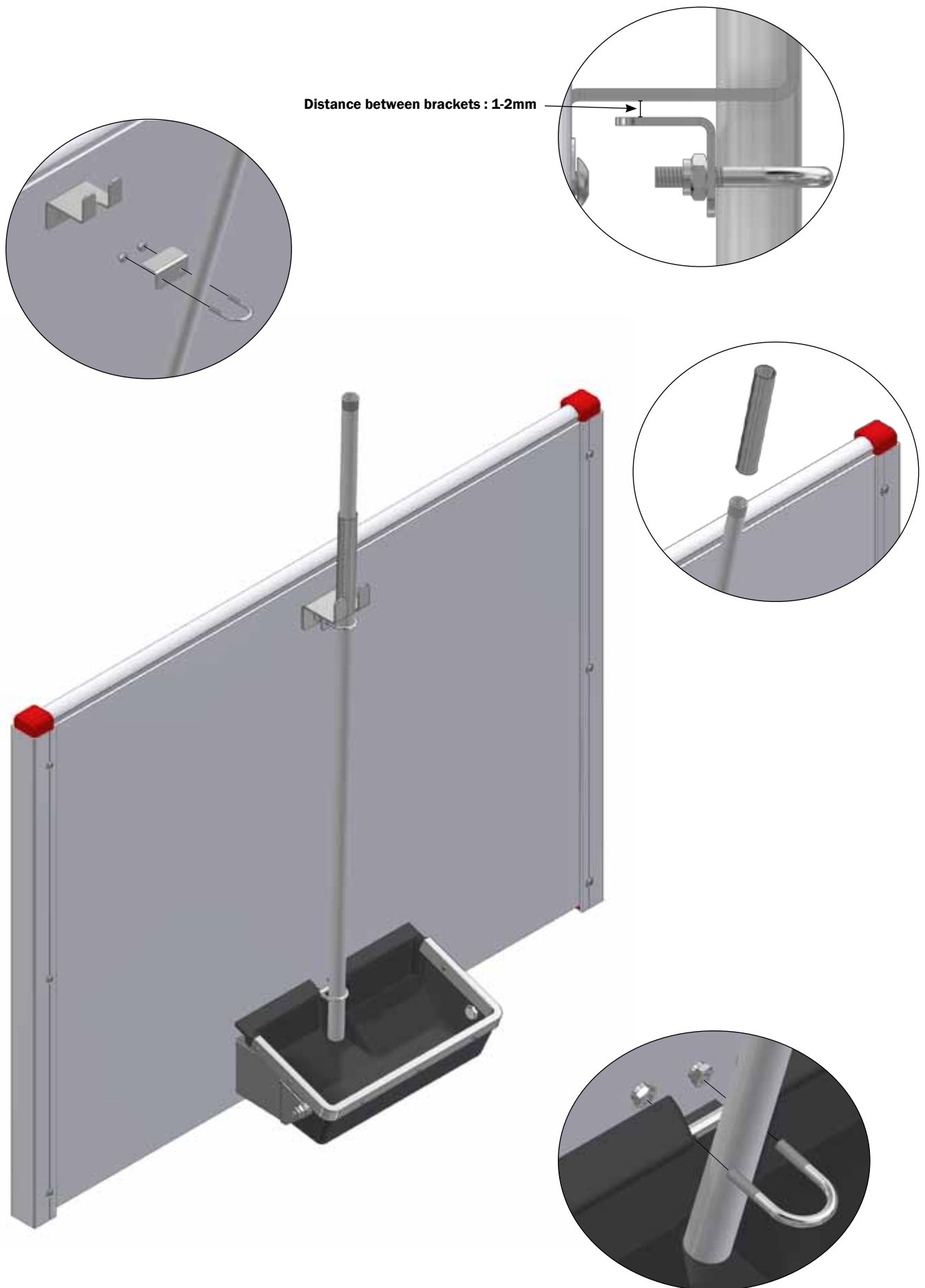
Predrilling in the wall



Parts list			
No.	Pcs.	Item No.	Description
		1205903	TILT TROUGH FOR PIGLETS SS WITH SUPPORT
1	1	1205901	TILT TROUGH FOR PIGLETS PVC WITH SUPPORT
2	1	4900904	MOUNTING SET FOR TILT TROUGH ON WALL
2.1	5	34908061	COUCH SCREW M8X60 A2 DIN 571
2.2	5	39900120	WALL PLUG 10X50MM
2.3	5	35600058	NUT WASHER Ø8X8,4/24/2 A2 DIN9021



Mounting of u-clamp



How to use the tilt function

