

MOUNTING INSTRUCTION



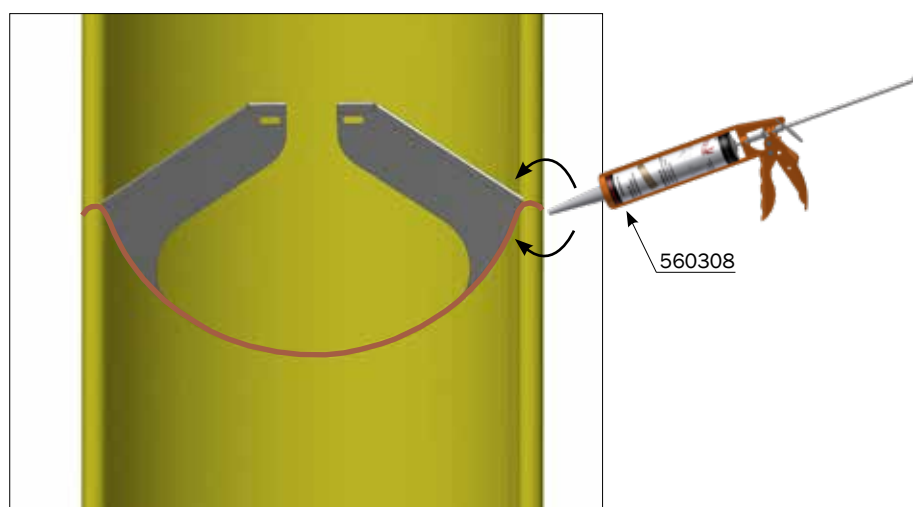
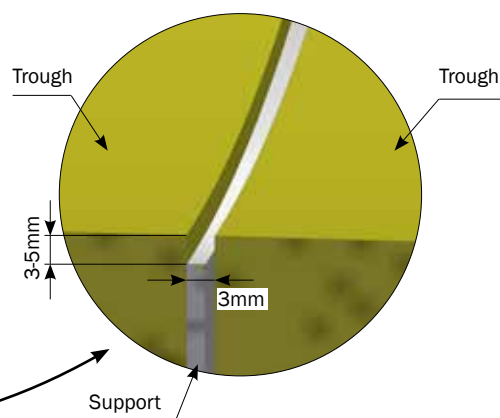
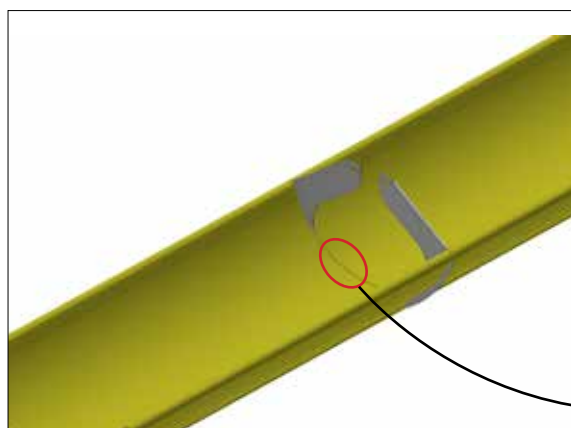
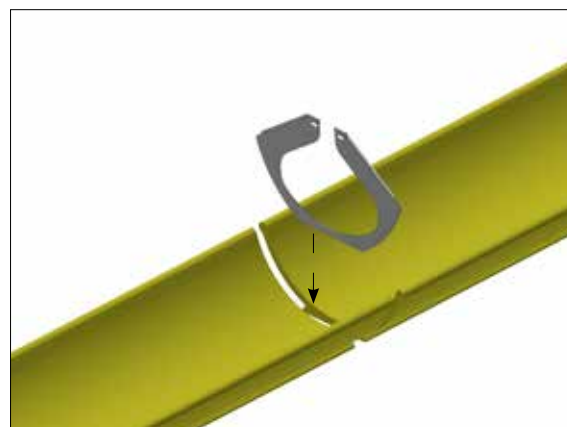
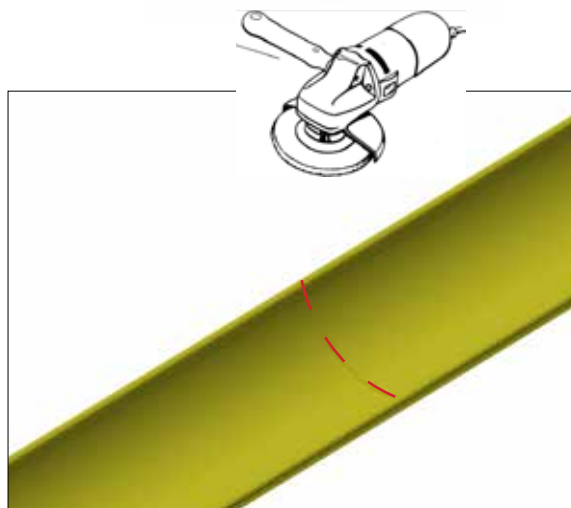
SUPPORT FOR PARTITIONS Polymer TS 41 and TS 47



ACO FUNKI A/S
Kirkevænget 5
DK-7400 Herning

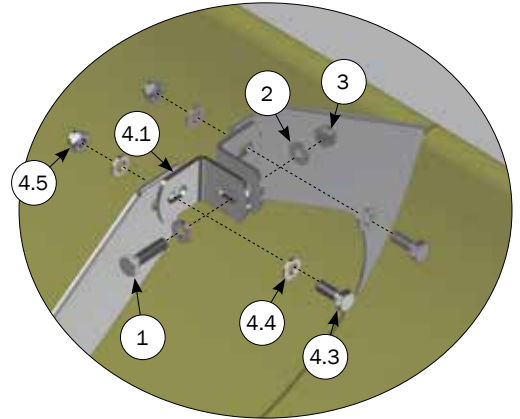
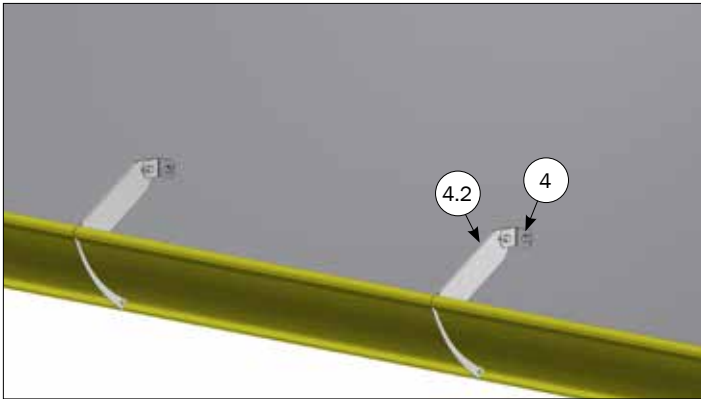
Tel. +45 9711 9600
www.acofunki.com
www.egebjerg.com

Installation of support on the trough



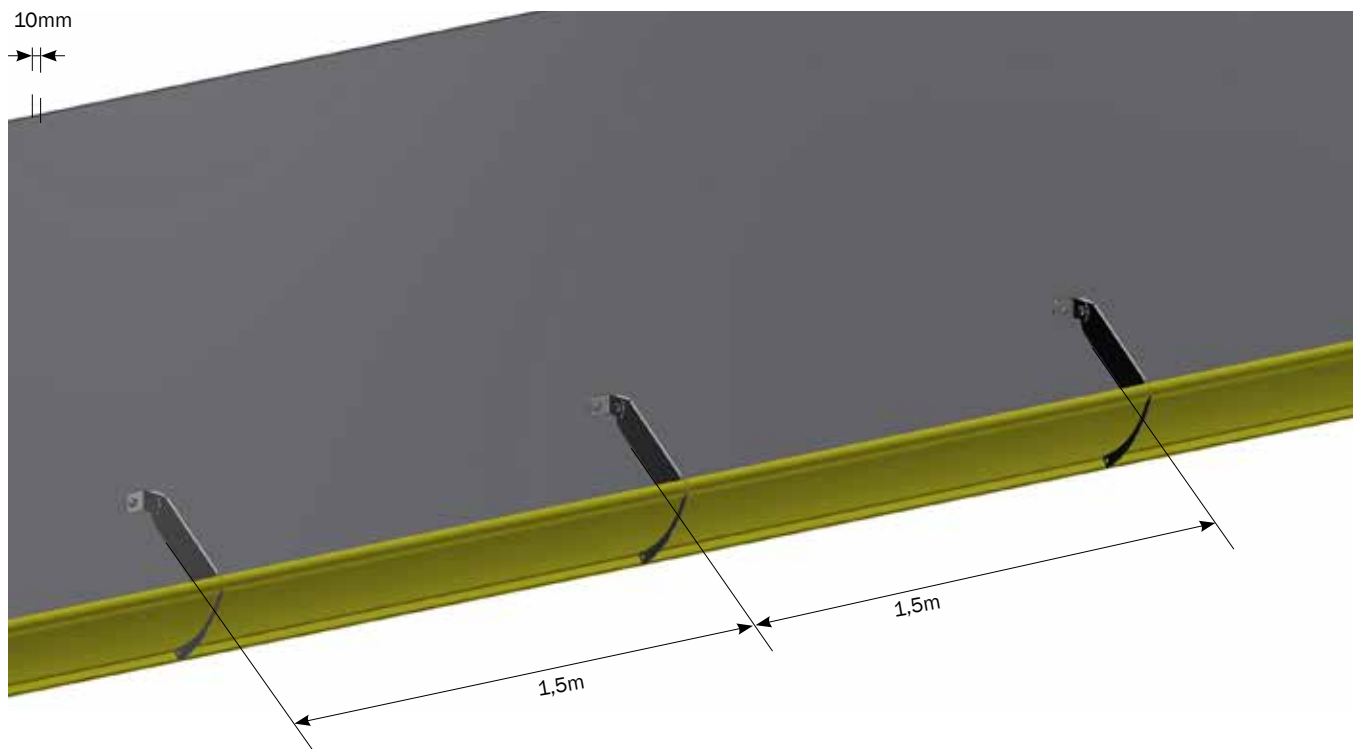
For further instructions, refer to "M-8021".

Mounting on the plate

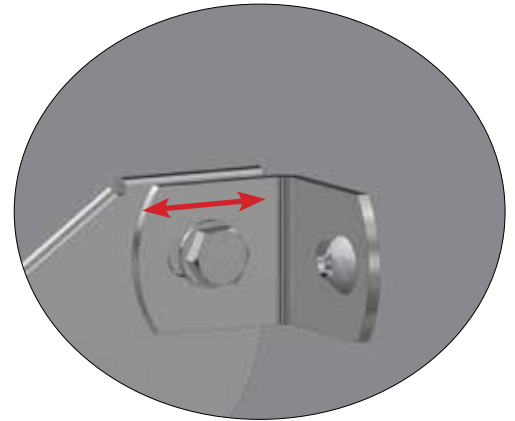
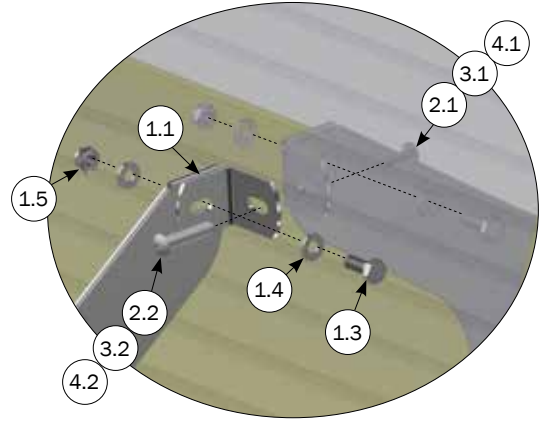
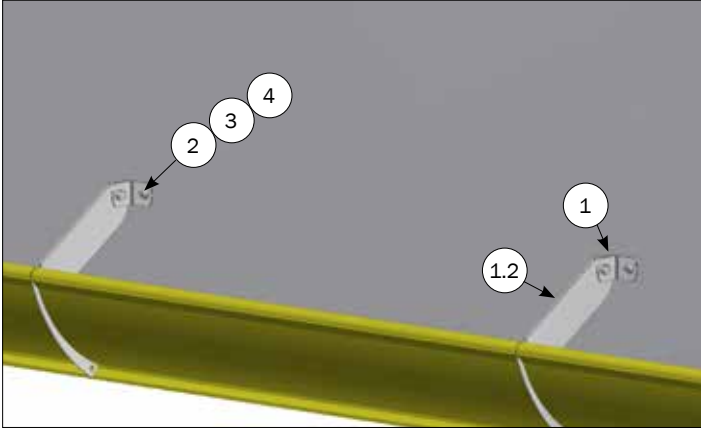


MOUNTING ON THE PLATE

NO.	ITEM NO.	DESCRIPTION	PCS.
1	30308030	SET SCREW M8X30 A2 DIN 933	1
2	35600037	FLAT WASHER Ø8.4X16X1.6 MM A2 DIN 125A	2
3	33908001	LOCK NUT M8 A2 DIN 985 WAXED	1
4	4900741	<i>KIT FOR STAINLESS STEEL PLATE SUPPORT TS41</i>	
4.1	30900	WALL BRACKET SMALL	2
4.2	8450744	STAINLESS STEEL PLATE SUPPORT TS41	1
4.3	30308020	SET SCREW M8X20 A2 DIN 933	2
4.4	35600037	FLAT WASHER Ø8.4X16X1.6 MM A2 DIN 125A	4
4.5	33908001	LOCK NUT M8 A2 DIN 985 WAXED	2



Mounting on the board profile



Possibility of adjustment.
Depending on the board profile thickness.

MOUNTING ON THE BOARD PROFILE			
NO.	ITEM NO.	DESCRIPTION	PCS.
1	4900741	KIT FOR STAINLESS STEEL PLATE SUPPORT TS41	
1.1	30900	WALL BRACKET SMALL	2
1.2	8450744	STAINLESS STEEL PLATE SUPPORT TS41	1
1.3	30308020	SET SCREW M8X20 A2 DIN 933	2
1.4	35600037	FLAT WASHER Ø8.4X16X1.6 MM A2 DIN 125A	4
1.5	33908001	LOCK NUT M8 A2 DIN 985 WAXED	2
35 MM BOARD PROFILE			
2	4900466	CONNECTING SCREW SET 39-48 MM, STAINLESS	1
2.1	39106020	CONNECTION SCREW M6X20 STAINLESS TORX 30	1
2.2	39206037	SPLICING SLEEVE M6X37 STAINLESS TORX 30	1
40 MM BOARD PROFILE			
3	4900467	CONNECTING SCREW SET 44-58 MM, STAINLESS	1
3.1	39106030	CONNECTION SCREW M6X30 STAINLESS TORX 30	1
3.2	39206037	SPLICING SLEEVE M6X37 STAINLESS TORX 30	1
50 MM BOARD PROFILE			
4	4900468	CONNECTING SCREW SET 49-68 MM STAINLESS	1
4.1	39106040	CONNECTION SCREW M6X40 STAINLESS STEEL	1
4.2	39206037	SPLICING SLEEVE M6X37 STAINLESS TORX 30	1

*40-50mm
35mm

