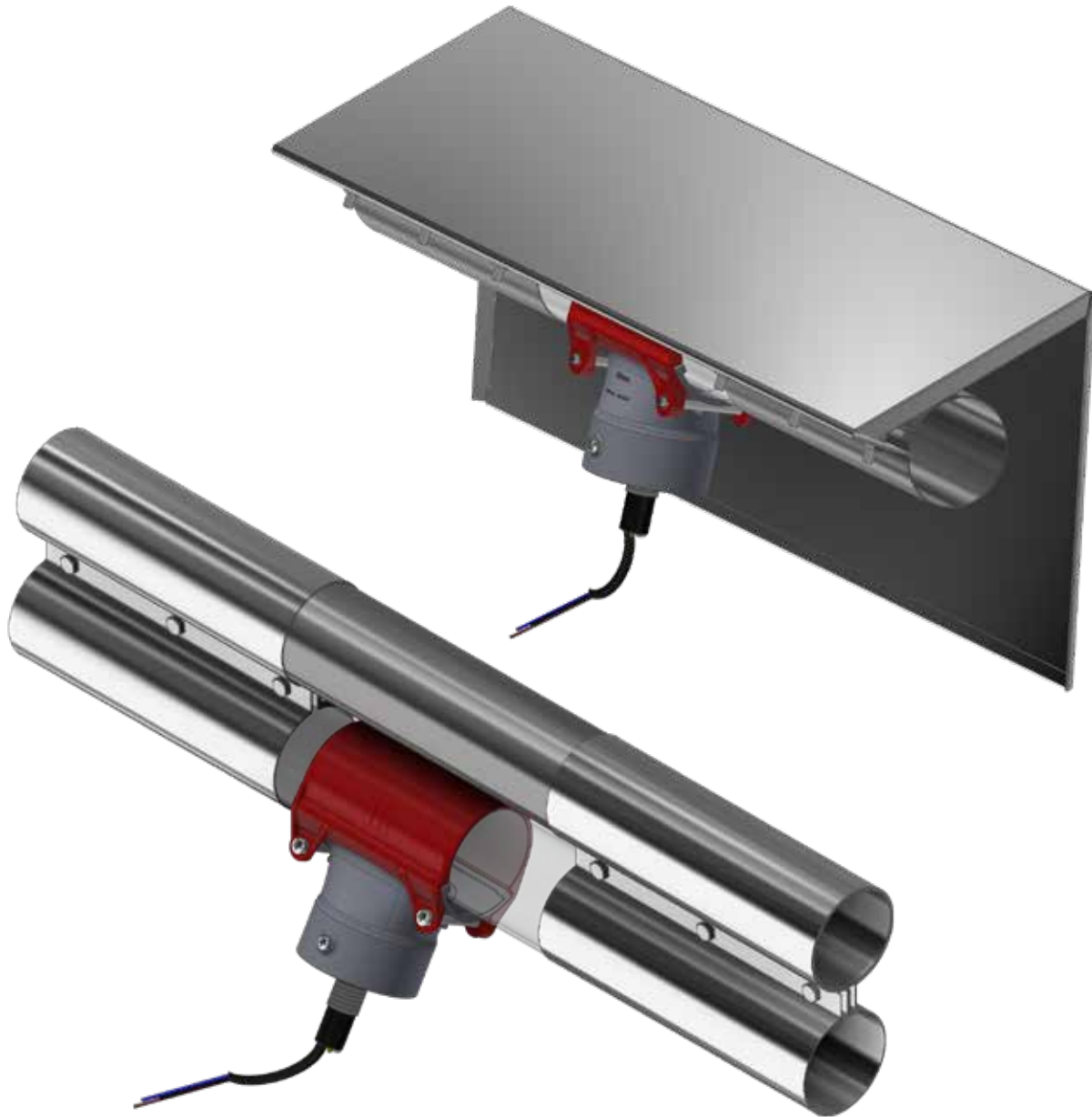


MOUNTING INSTRUCTION



MULTI CONTROLLER / FUNKINET STOP SENSOR

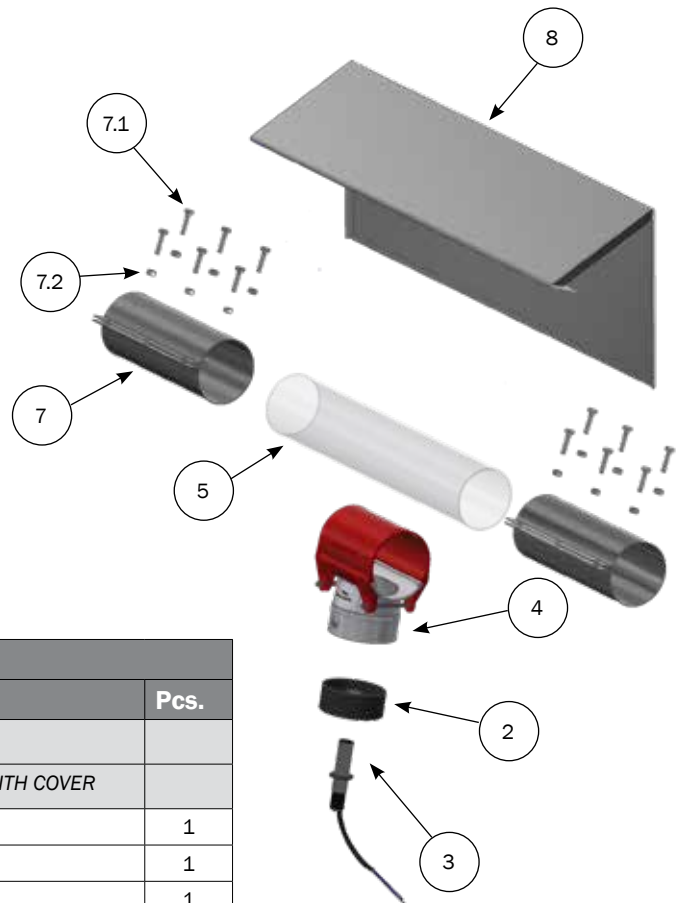
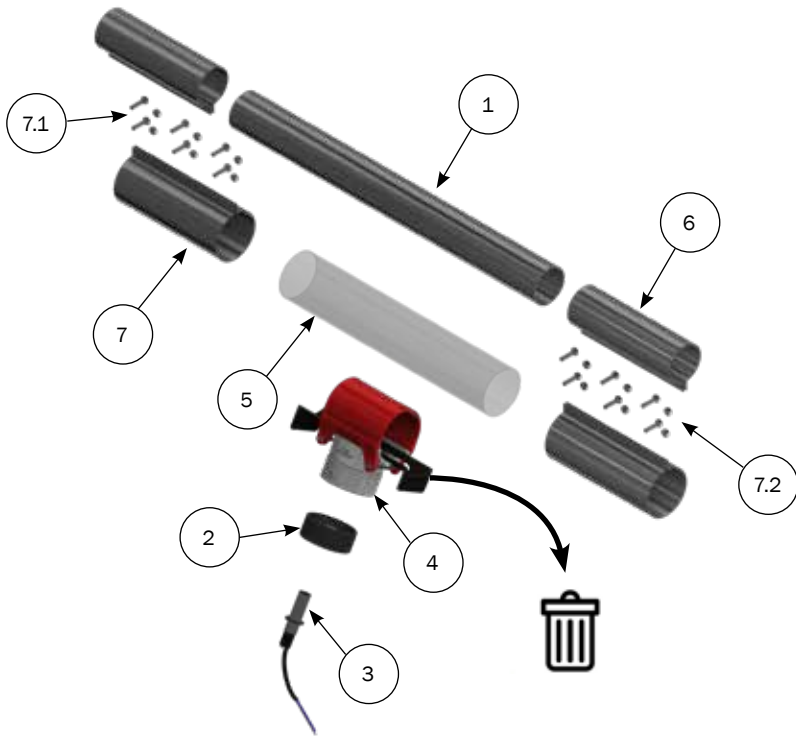


ACO FUNKI A/S
Kirkevænget 5
DK-7400 Herning

Tel. +45 9711 9600
Fax +45 9711 9677
www.acofunki.com

DANISH DESIGN | GERMAN QUALITY | GLOBAL EXPERIENCE

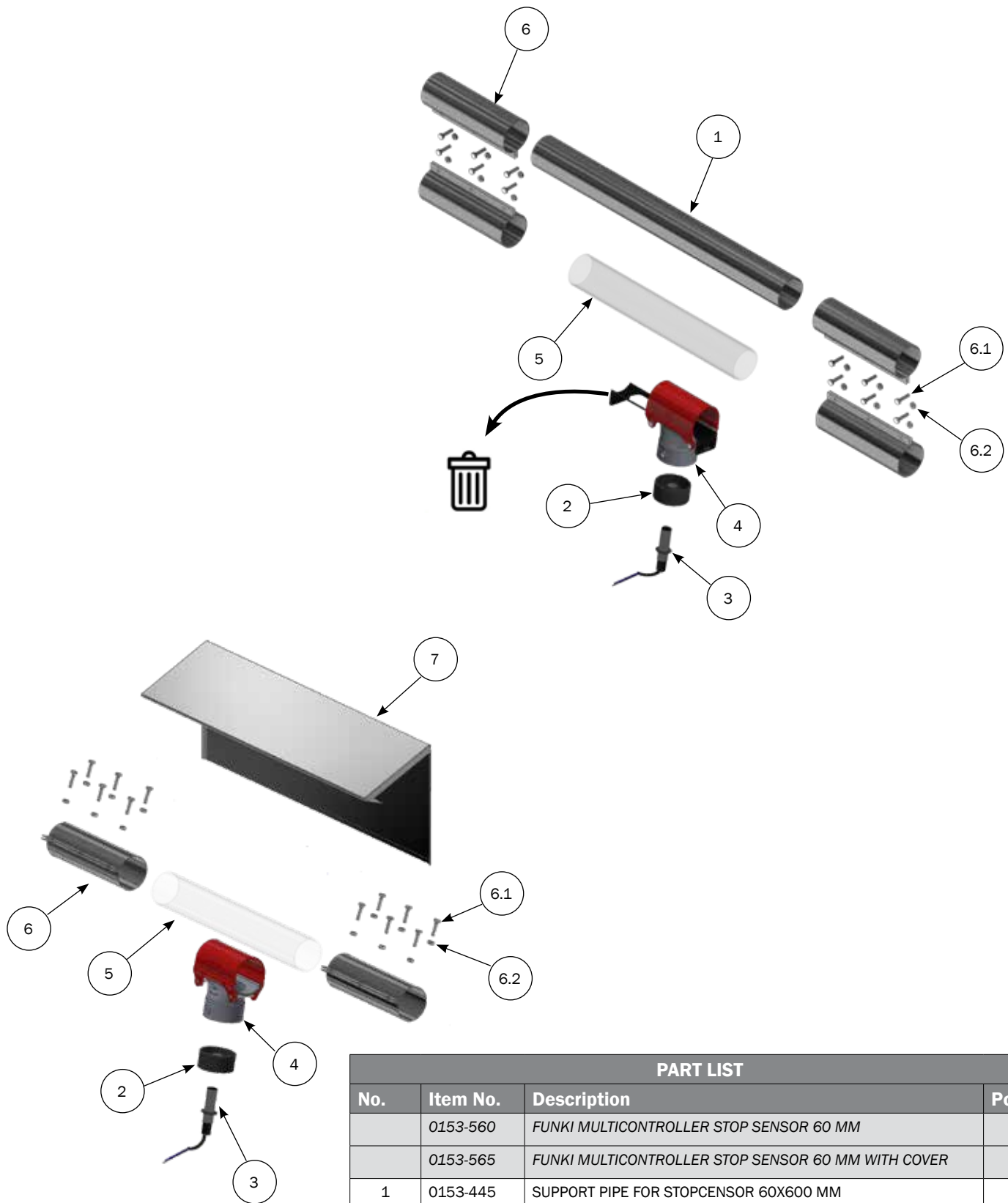
Multi Controller Stop Sensor 76mm



PART LIST			
No.	Item No.	Description	Pcs.
	0153-576	FUNKI MULTICONTROLLER STOPSENSOR 76 MM	
	0153-578	FUNKI MULTICONTROLLER STOP SENSOR 76 MM WITH COVER	
1	0153-445	SUPPORT PIPE FOR STOP SENSOR 60X600 MM	1
2	0153-447	HOLDER FOR STOP SENSOR 75 MM	1
3	71900034	FUNKIFEED STOP SENSOR	1
4	0228-488	FIXED T-PIECE 76 MM	1
5	0170-826	INSPECTION TUBE 75X400 MM FOR SENSOR	1
6	86100	UNION CONNECTOR 60 MM FEEDINGPIPE COMPLET	2
7	86137	UNION CONNECTOR 76 MM FEEDINGPIPE COMPLET	2
*7.1	30306025	SET SCREW M6X25 FZB DIN 933	1
*7.2	33506010	NUT M6 A2 DIN 934	1
8	8050248	SUPPORT AND COVER PLATE FOR STOP SENSOR	1

*** Only 6 Pcs of No 7.1 - 7.2 is being used for mounting.
In 0153-578 10 pcs of No 7.2 is being used for mounting.**

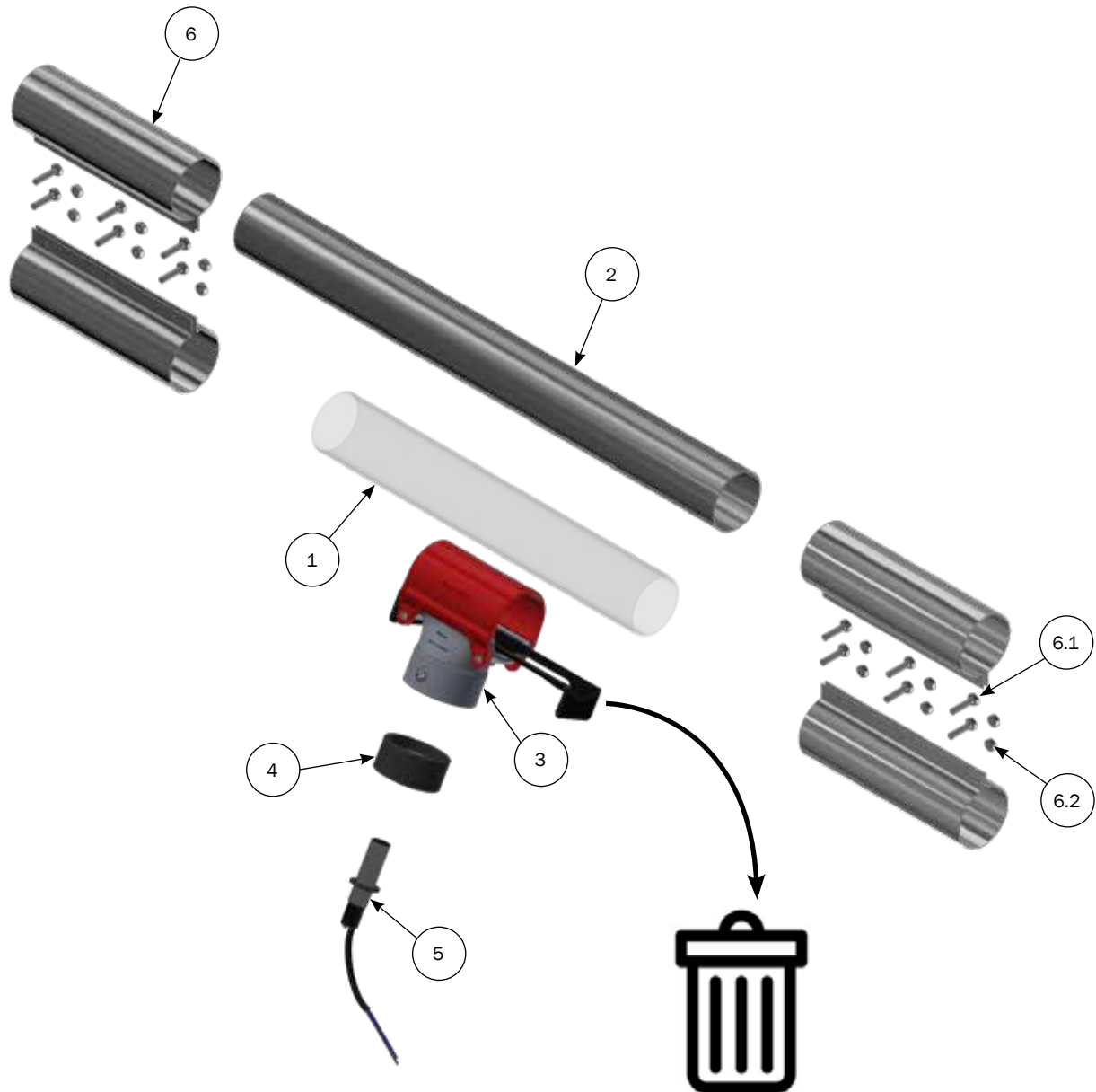
Multi Controller Stop Sensor 60mm



*** Only 6 Pcs of No 6.1 - 6.2 is being used for mounting.
In 0153-565 10 pcs of No 6.2 is being used for mounting.**

PART LIST			
No.	Item No.	Description	Pcs.
	0153-560	FUNKI MULTICONTROLLER STOP SENSOR 60 MM	
	0153-565	FUNKI MULTICONTROLLER STOP SENSOR 60 MM WITH COVER	
1	0153-445	SUPPORT PIPE FOR STOPCENSOR 60X600 MM	1
2	0153-446	HOLDER FOR STOPCENSOR 63 MM	1
3	71900034	MULTICONTROLLER STOP SENSOR	1
4	90486	FIXED T-PIECE FOR 60 MM	1
5	88814	INSPECTION TUBE 60X400 MM FORSENSOR	1
6	86100	UNION CONNECTOR 60 MM FEEDINGPIPE COMPLET	4
*6.1	30306025	SET SCREW M6X25 FZB DIN 933	12
*6.2	33506010	NUT M6 A2 DIN 934	12
7	8050248	SUPPORT AND COVER PLATE FOR STOP SENSOR	1

Multi Controller Stop Sensor 60mm Stainless Steel

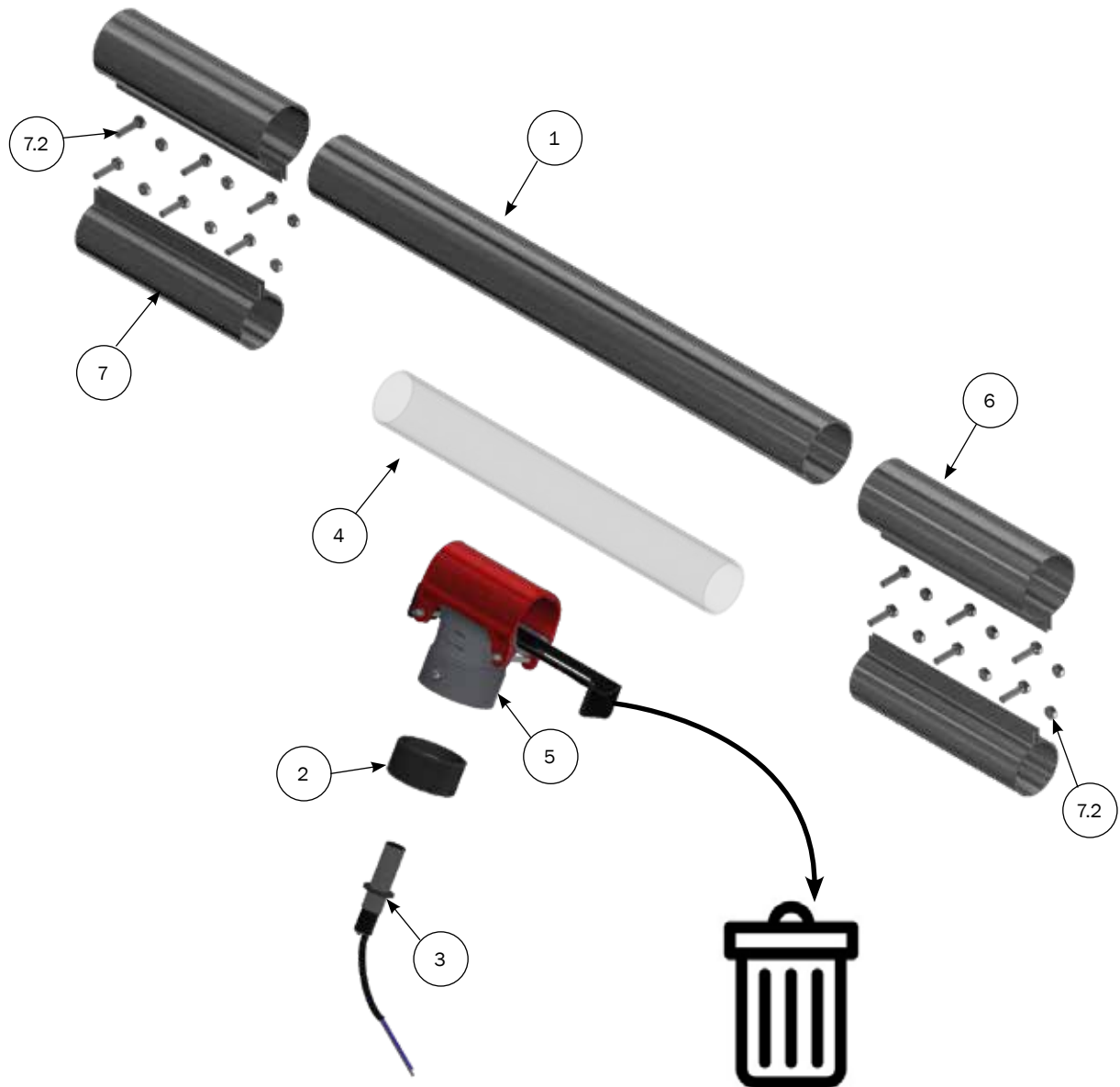


PARTS LIST

No.	Item No.	Description	Pcs.
	0153-561	FUNKI MULTICONTROLLER STOPCENSOR 60 MM, STAINLESS STEEL	
1	88814	INSPECTION TUBE 60X400 MM FOR SENSOR	1
2	0153-445	SUPPORT PIPE FOR STOP SENSOR 60X600 MM	1
3	90486	FIXED T-PIECE FOR 60 MM	1
4	0153-446	HOLDER FOR STOP SENSOR 63 MM	1
5	71900034	FUNKIFEED STOP SENSOR	1
6	86109	CONNECTION T/60 MM FEEDTUBE SS W/BOLTS	4
*6.1	30306025	SET SCREW M6X25 FZB DIN 933	12
*6.2	33506010	NUT M6 A2 DIN 934	12

*** Only 6 Pcs of No 6.1 - 6.2 is being used for mounting.**

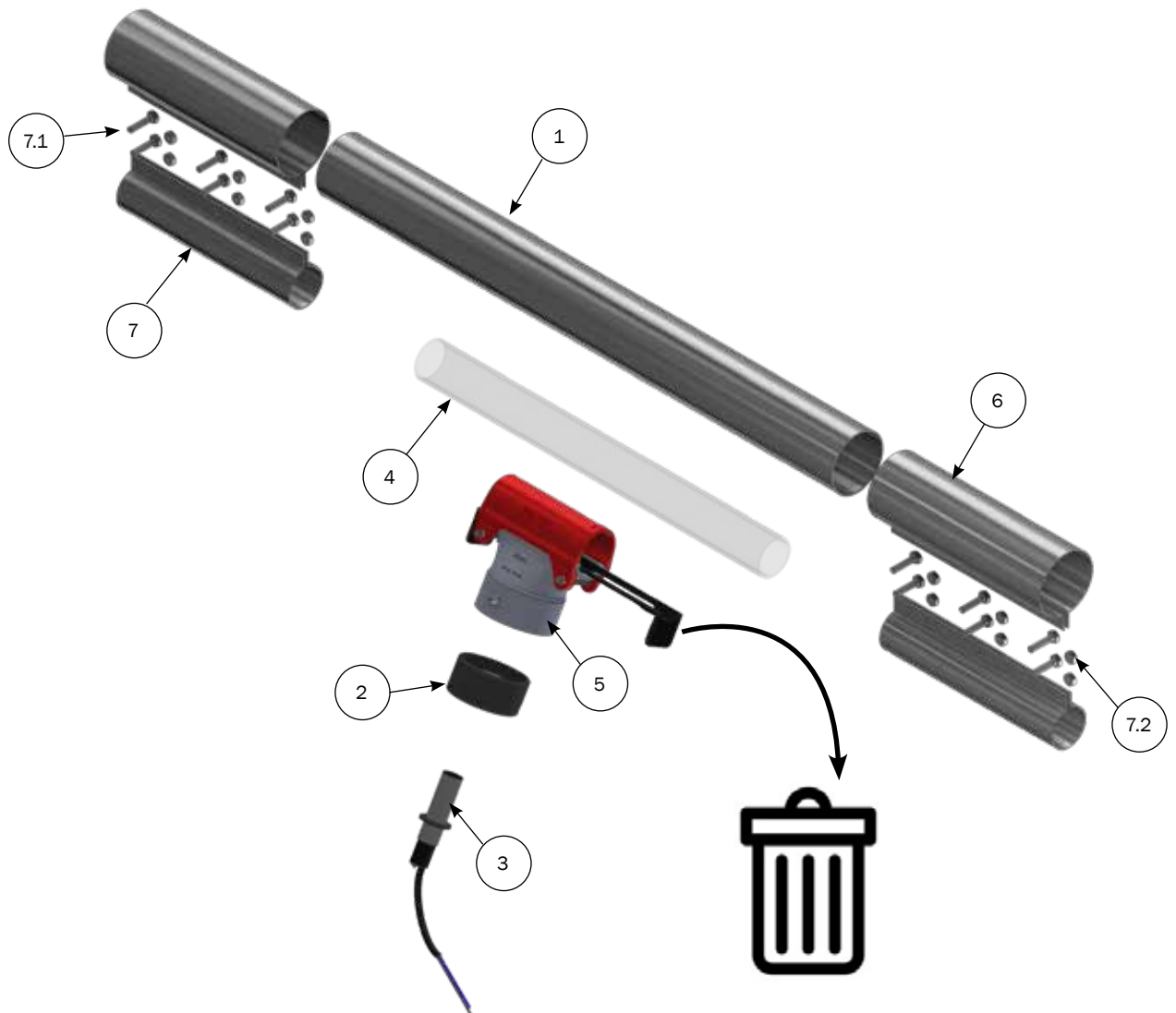
Multi Controller Stop Sensor 50mm



PARTS LIST					
No.	Pcs.	Item No.	Description	Pcs.	
		0153-550	FUNKI MULTICONTROLLER STOPSENSOR 50 MM		
1	1	0153-445	SUPPORT PIPE FOR STOP SENSOR 60X600 MM	1	
2	1	0153-446	HOLDER FOR STOP SENSOR 63 MM	1	
3	1	71900034	FUNKIFEED STOP SENSOR	1	
4	1	88812	INSPECTION TUBE 51 X 400 MM FOR SENSOR	1	
5	1	90484	FIXED T-PIECE FOR 50 MM	1	
6	2	86100	UNION CONNECTOR 60 MM FEEDINGPIPE COMPLET	2	
7	2	86115	UNION CONNECTOR 50 MM FEEDINGPIPE COMPLET	2	
*7.1	12	30306025	SET SCREW M6X25 FZB DIN 933	12	
*7.2	12	33506010	NUT M6 A2 DIN 934	12	

*** Only 6 Pcs of No 7.1 - 7.2 is being used for mounting**

Multi Controller Stop Sensor 38mm

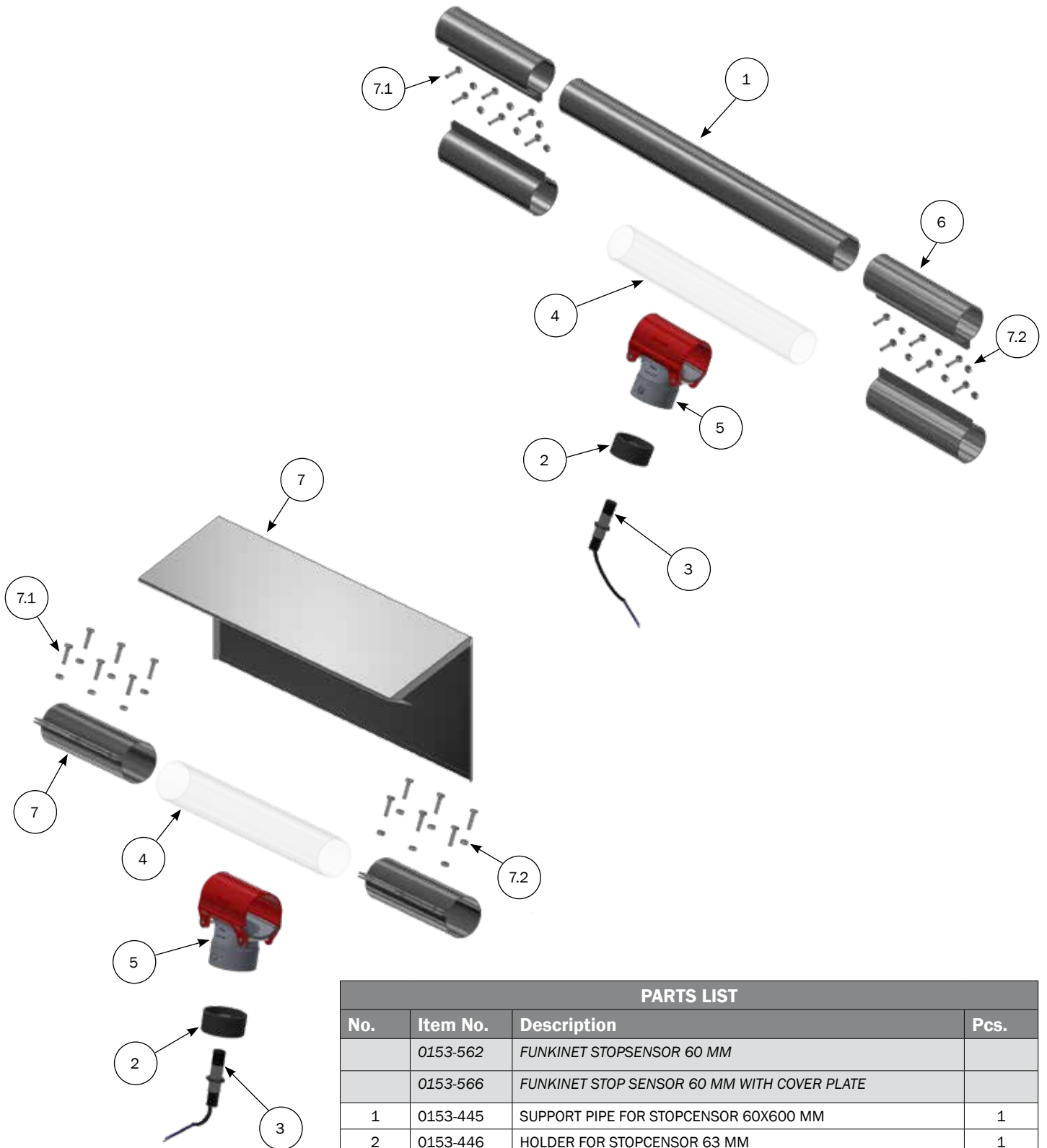


PARTS LIST

No.	Item No.	Description	Pcs.
	0153-538	FUNKI MULTICONTROLLER STOPCENSOR 38 MM	
1	0153-445	SUPPORT PIPE FOR STOP SENSOR 38X600 MM	1
2	0153-446	HOLDER FOR STOP SENSOR 63 MM	1
3	71900034	FUNKIFEED STOP SENSOR	1
4	88810	INSPECTION TUBE 38 X 400 MM FOR SENSOR	1
5	90482	FIXED T-PIECE FOR 38 MM	1
6	86100	UNION CONNECTOR 60 MM FEEDINGPIPE COMPLET	2
7	86125	JOINT SOCKET Ø38/FS COMPLETE	2
*7.1	30306025	SET SCREW M6X25 FZB DIN 933	12
*7.2	33506010	NUT M6 A2 DIN 934	12

*** Only 6 Pcs of No 7.1 - 7.2 is being used for mounting**

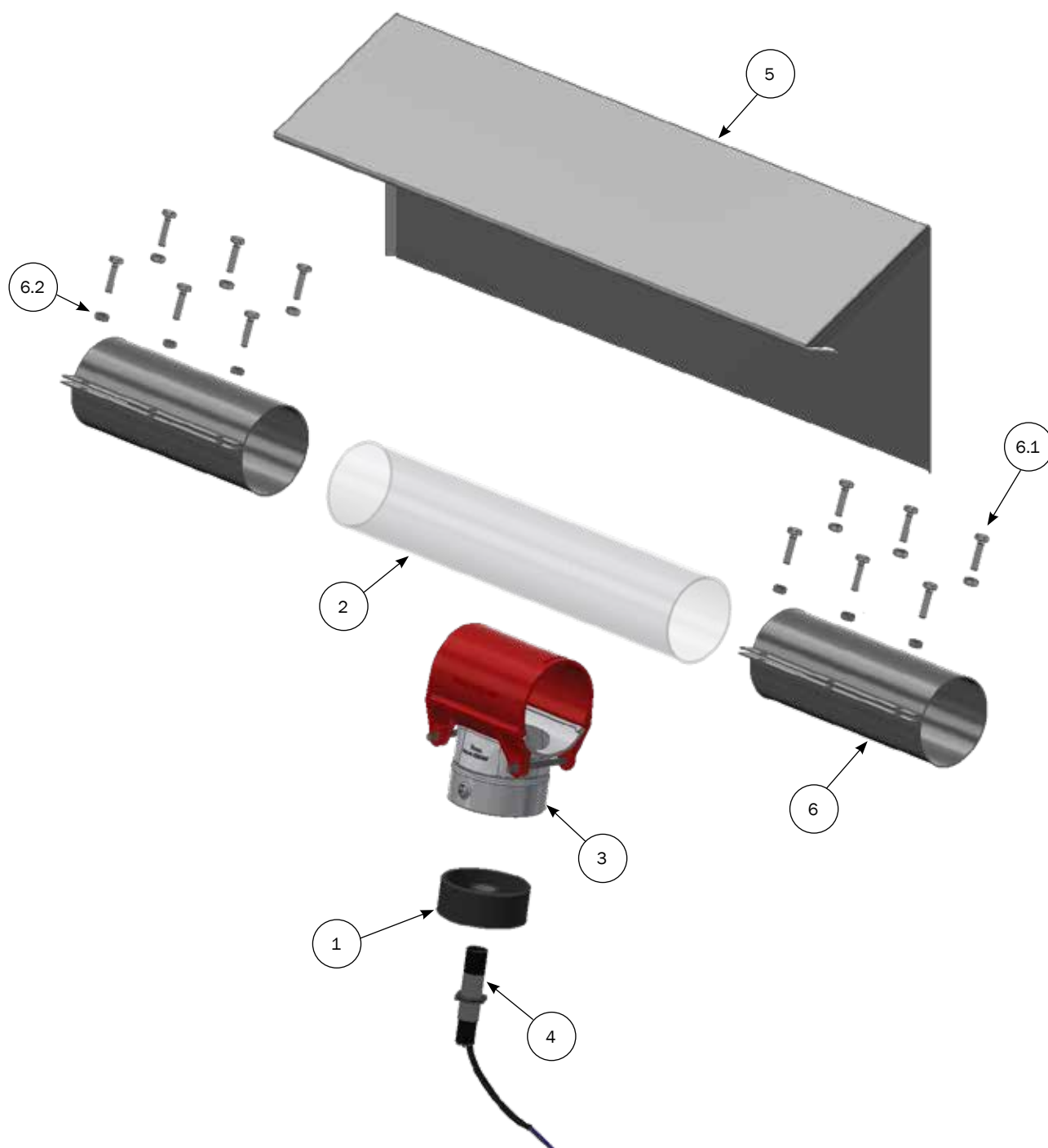
Funkinet Stop Sensor 60 mm



PARTS LIST			
No.	Item No.	Description	Pcs.
	0153-562	FUNKINET STOPSENSOR 60 MM	
	0153-566	FUNKINET STOP SENSOR 60 MM WITH COVER PLATE	
1	0153-445	SUPPORT PIPE FOR STOPCENSOR 60X600 MM	1
2	0153-446	HOLDER FOR STOPCENSOR 63 MM	1
3	71900040	FUNKINET STOP SENSOR, NPN	1
4	88814	INSPECTION TUBE 60X400 MM FORSENSOR	1
5	90486	FIXED T-PIECE FOR 60 MM	1
6	86100	UNION CONNECTOR 60 MM FEEDINGPIPE COMPLET	4
*6.1	30306025	SET SCREW M6X25 A2 DIN 933	12
*6.2	33506010	NUT M6 A2 DIN 934	12
7	8050248	SUPPORT AND COVER PLATE FOR STOP SENSOR	1

*** Only 6 Pcs of No 6.1 - 6.2 is being used for mounting.
In 0153-566 10 pcs of No 6.2 is being used for mounting.**

Funkinet Stop Sensor 76 mm

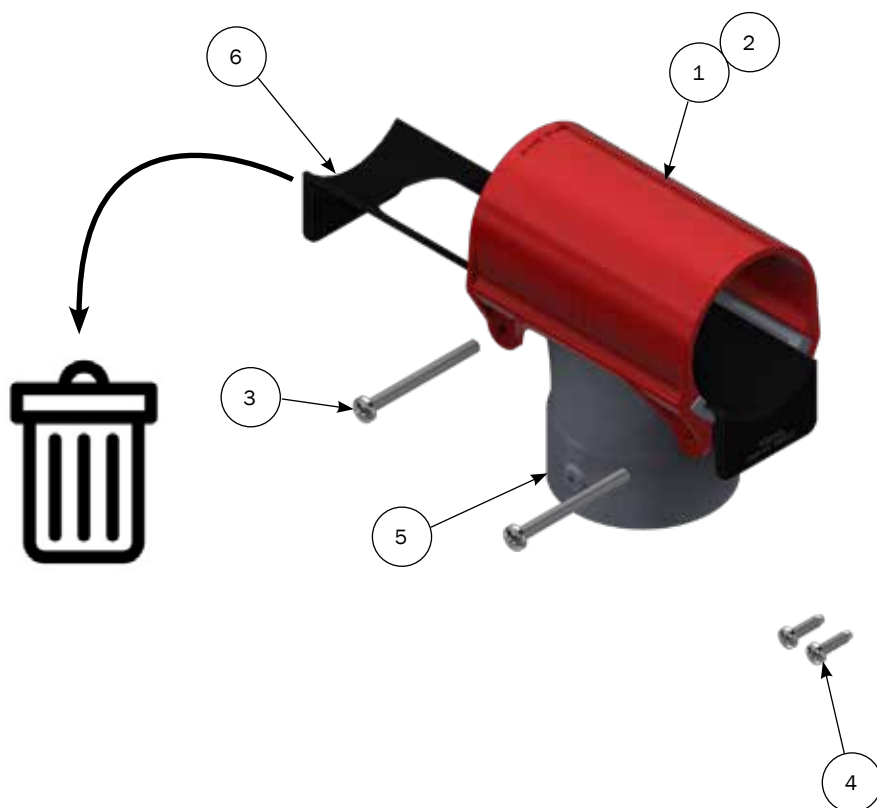


PARTS LIST

No.	Item No.	Description	Pcs.
	0153-579	FUNKINET STOP SENSOR 76 MM WITH COVER PLATE	
1	0153-447	HOLDER FOR STOPSENSOR 75 MM	1
2	0170-826	INSPECTION TUBE 75X400 MM FORSENSOR	1
3	0228-488	FIXED T-PIECE 76 MM	1
4	71900040	FUNKINET STOP SENSOR, NPN	1
5	8050248	SUPPORT AND COVER PLATE FOR STOP SENSOR	1
6	86137	UNION CONNECTOR 76 MM FEEDINGPIPE COMPLET	2
*6.1	30306025	SET SCREW M6X25 A2 DIN 933	12
*6.2	33506010	NUT M6 A2 DIN 934	12

*** Only 6 Pcs of No 6.1 is being used for mounting.
Only 10 Pcs of No 6.2 is being used for mounting.**

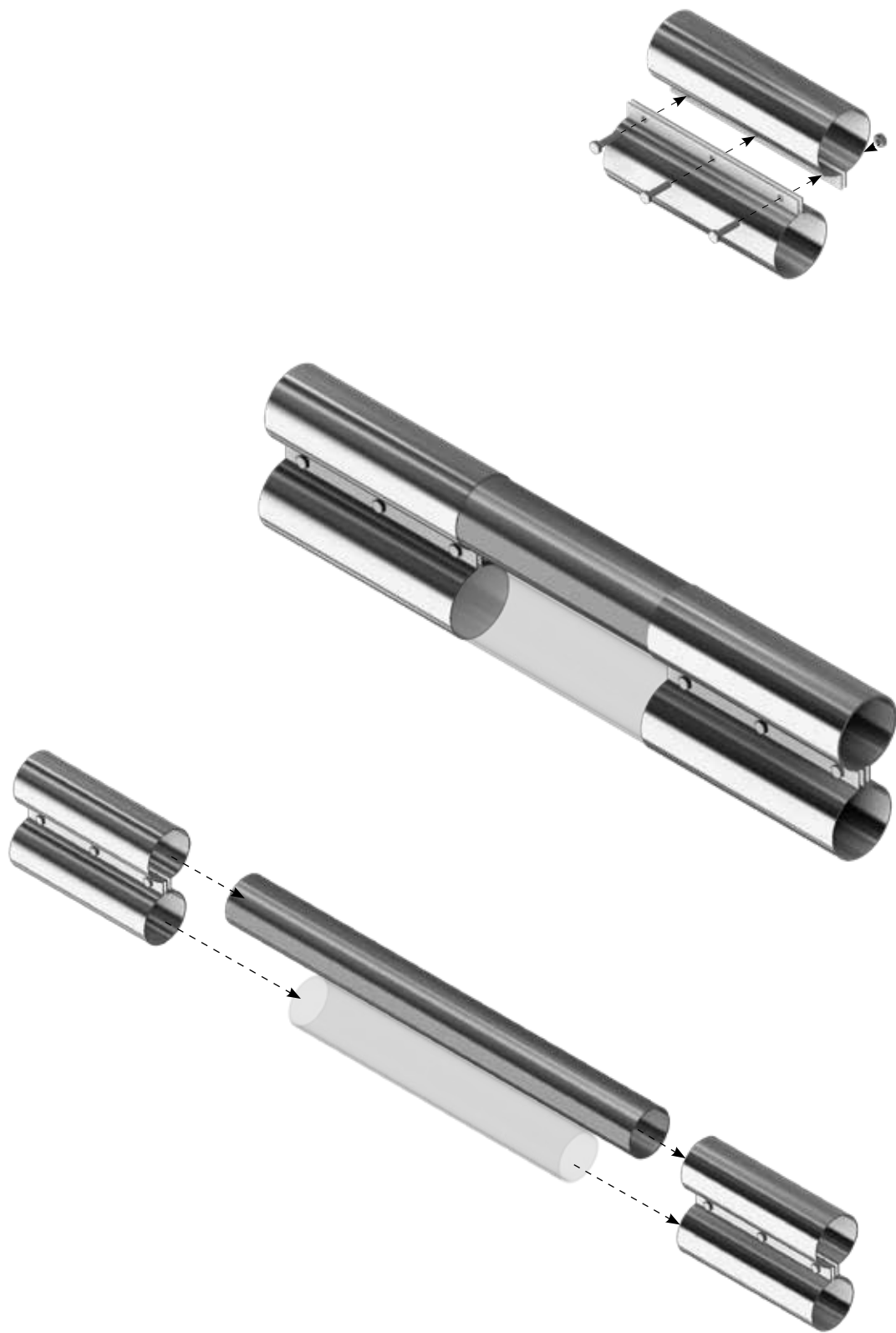
Fixed T-Piece for Multi Controller Stop Sensor



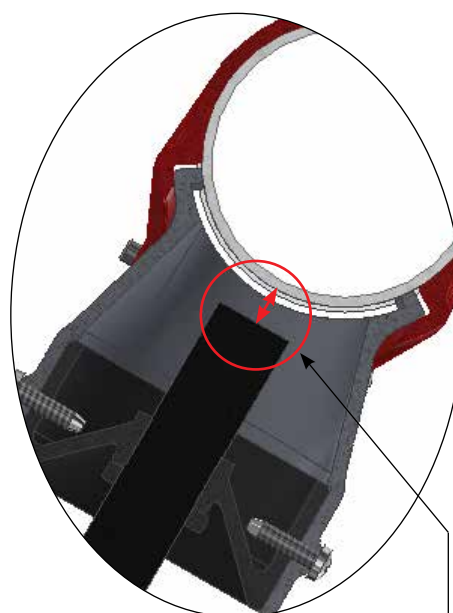
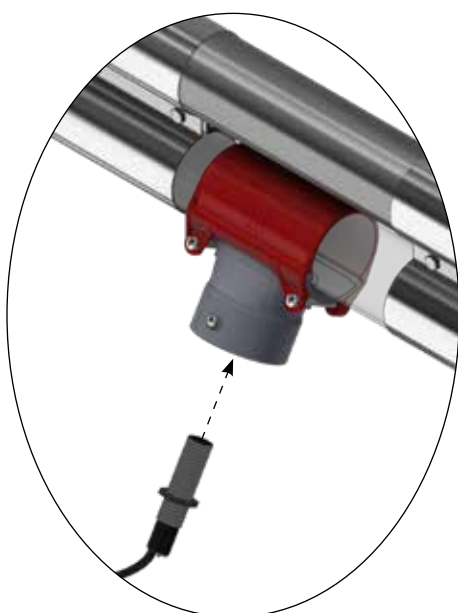
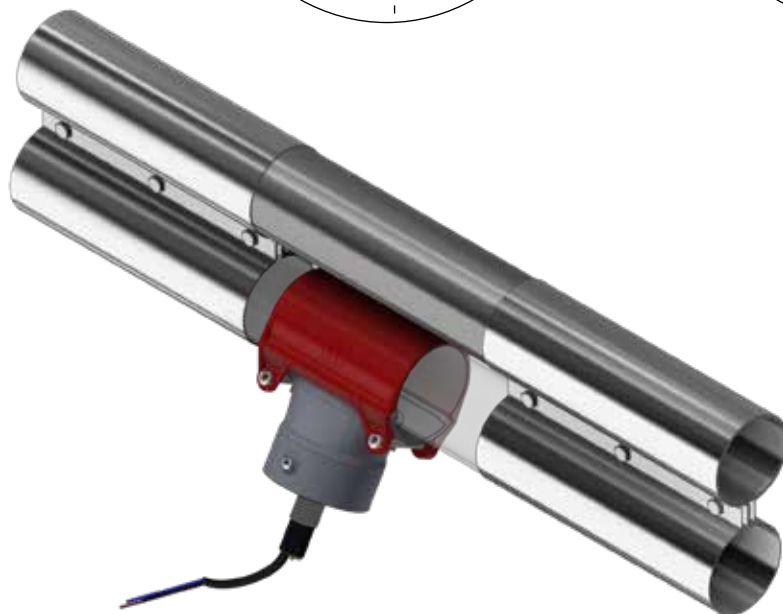
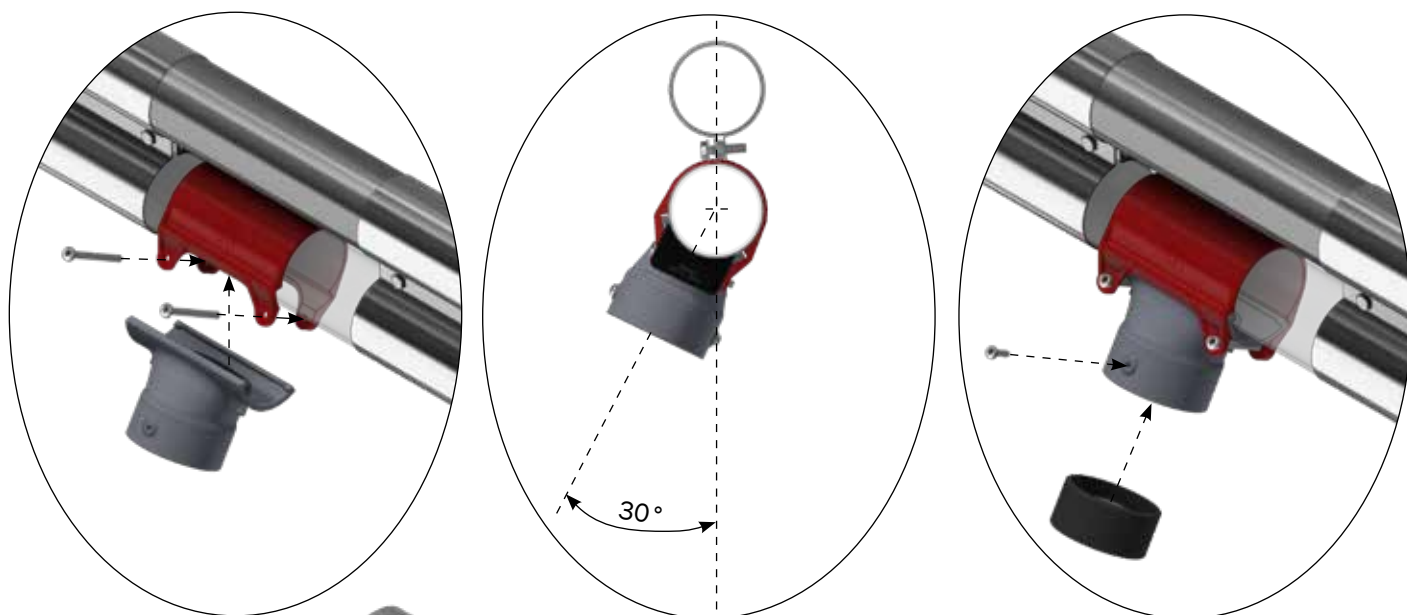
PARTS LIST

No.	Item No.	Description
	0228-488	FIXED T-PIECE 76 MM
	90486	FIXED T-PIECE FOR 60 MM
	90484	FIXED T-PIECE FOR 50 MM
	90482	FIXED T-PIECE FOR 38 MM
1		OVERPART FOR OUTLET
2		LOCK NUT M5 A2 DIN 985
3		MASHINE SCREW M5
4		4.2 X 16 PLATE SCREW PH POZ
5		OUTLET
*6		SLIDE FOR OUTLET

* No 6 is not in use

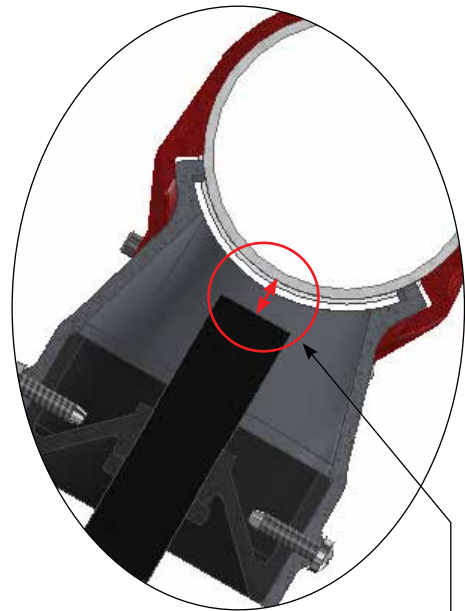
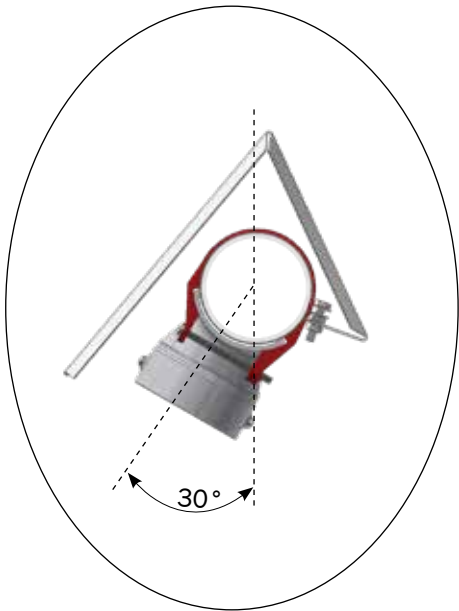


Mounting of fixed T-Piece for Multi Controller/Funkinet Stop Sensor



1-1,5 mm between sensor and inspection tube

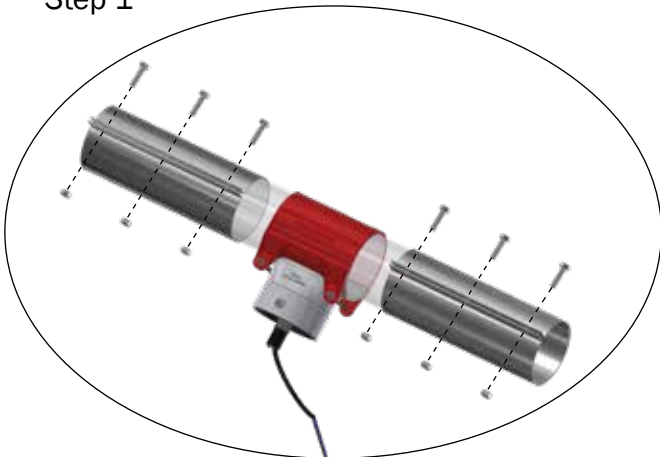
Mounting of Cover Plate for Multi Controller/Funkinet Stop Sensor



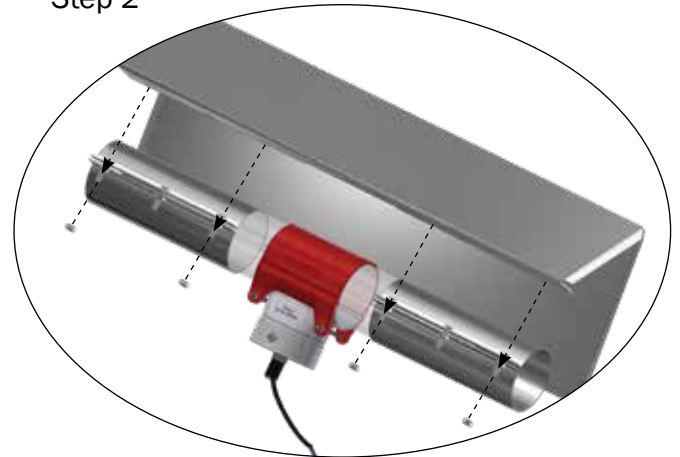
1-1,5 mm between sensor and inspection tube



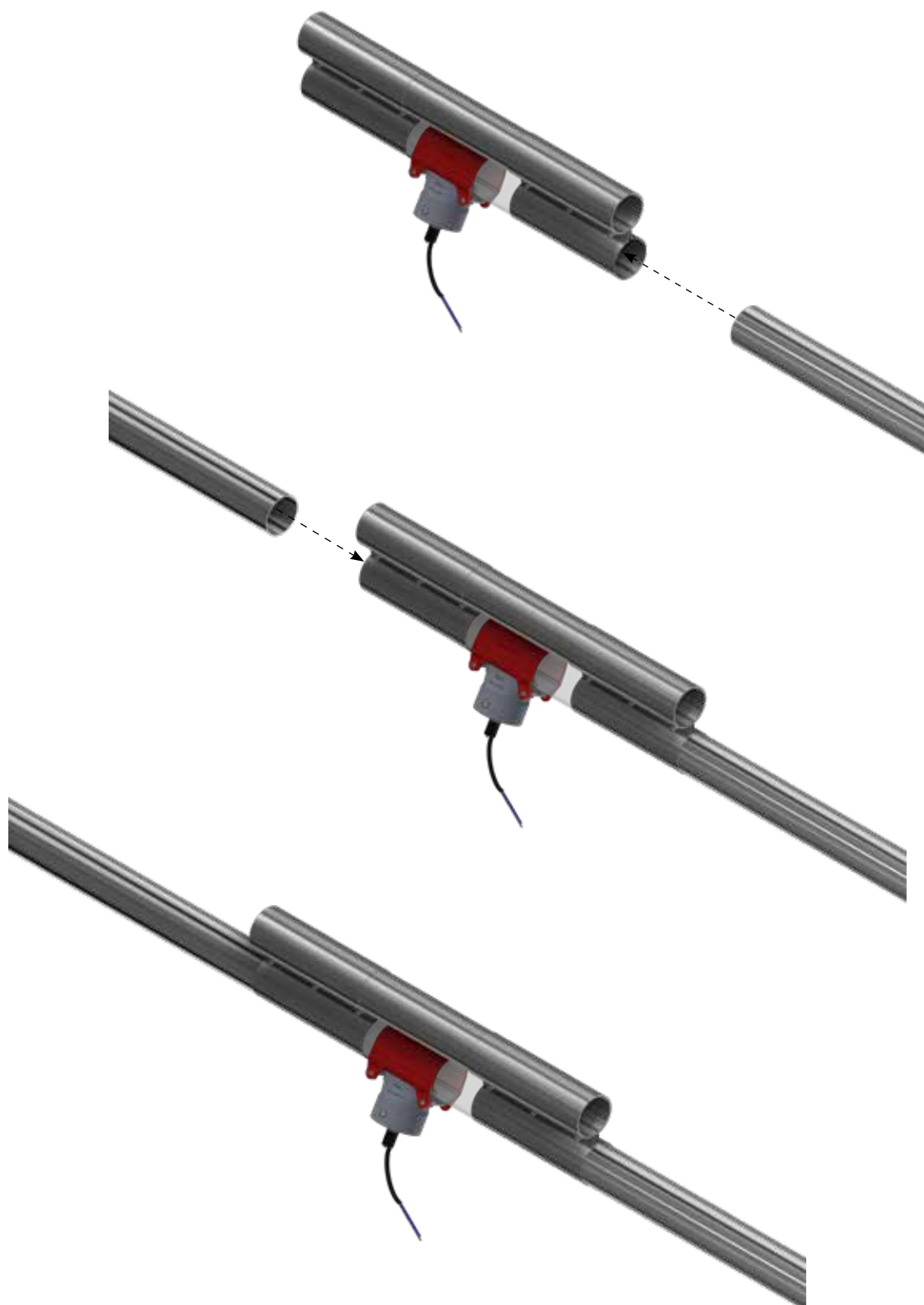
Step 1



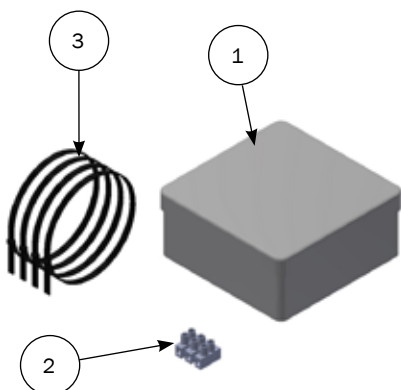
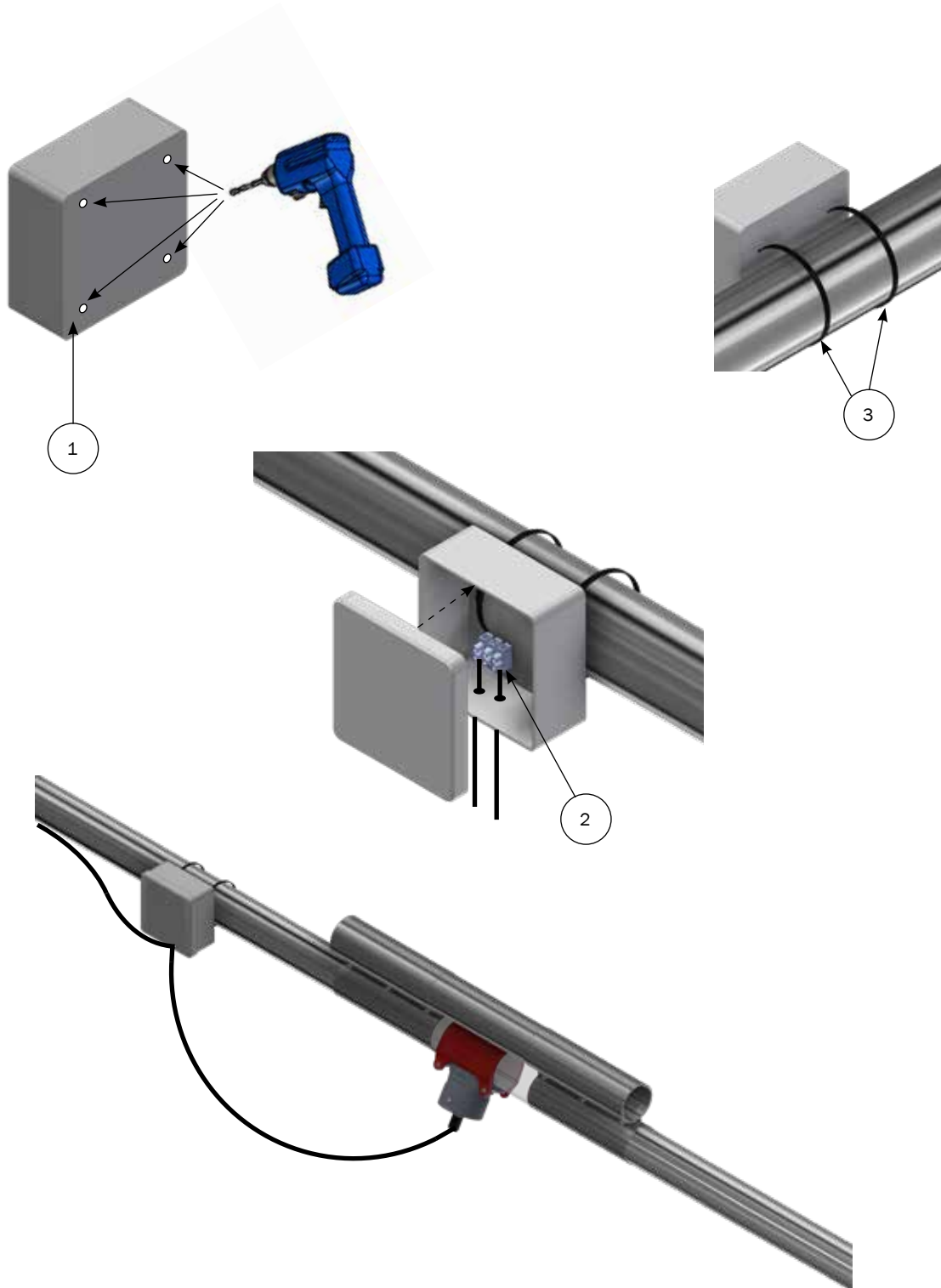
Step 2



Mounting of Multi Controller/Funkinet Stop Sensor on Feeding Pipe

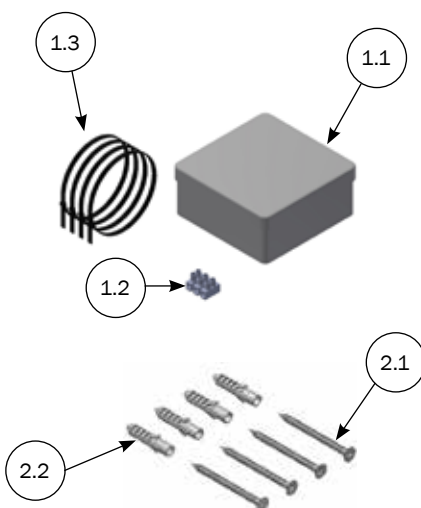
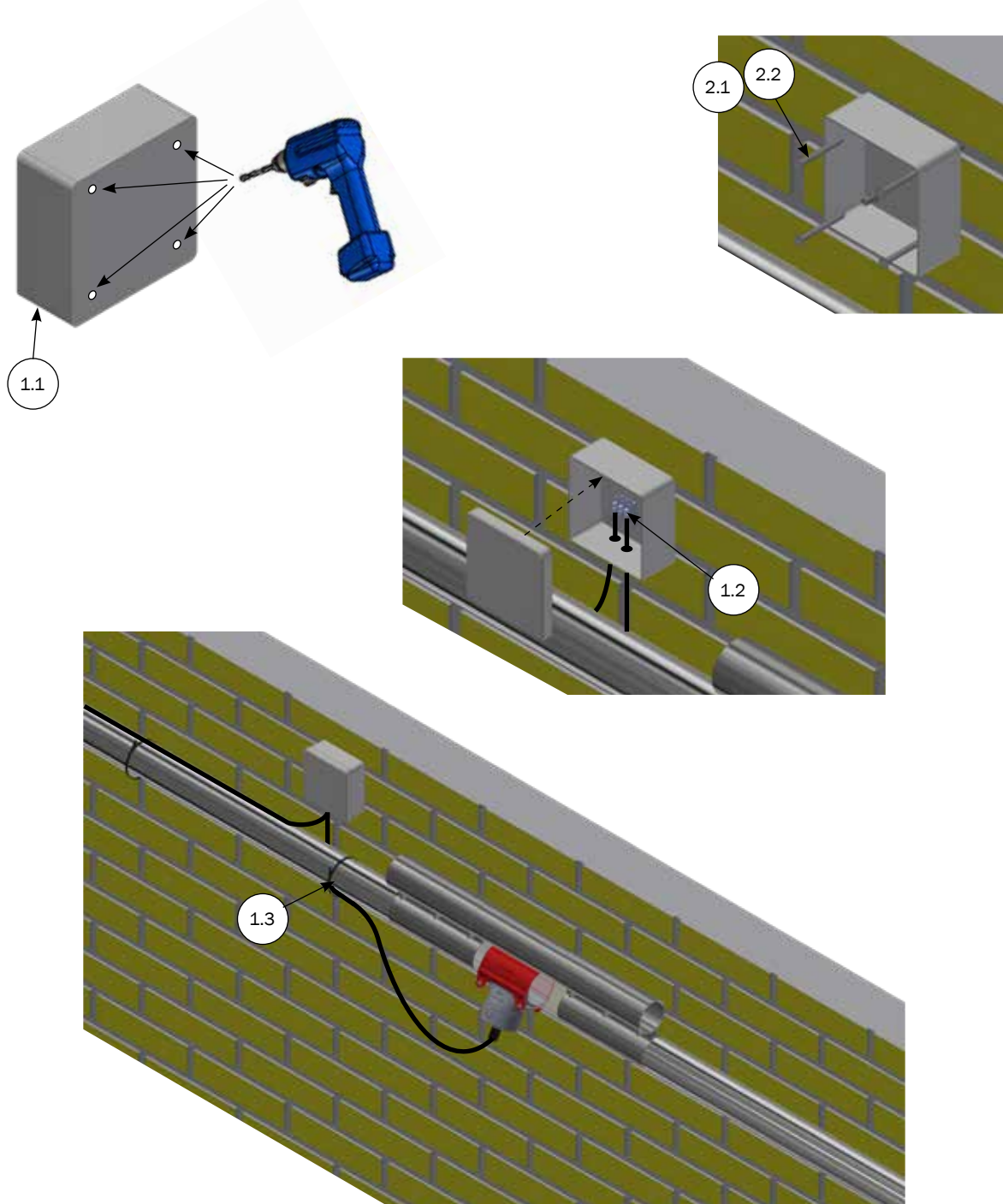


Option for Multi Controller Stop Sensor



PARTS LIST			
No.	Item No.	Description	Pcs.
	0392-072	FEED VALVE. MOUNTING KIT NO. 3	
1	73000113	DIAPHRAGM BOX AP10, GREY	1
2	76000003	TERMINAL STRIP 12-POL EKL 1BE DSPA LOSE - 12 PCS.	0,25
3	76200023	CABLE TIE 290X4,5 MM BLACK	4

Option for Multi Controller Stop Sensor



PARTS LIST			
No.	Item No.	Description	Pcs.
1	0392-072	FEED VALVE. MOUNTING KIT NO. 3	
1.1	73000113	DIAPHRAGM BOX AP10, GREY	1
1.2	76000003	TERMINAL STRIP 12-POL EKL 1BE DSPA LOSE - 12 PCS.	0,25
1.3	76200023	CABLE TIE 290X4,5 MM BLACK	4
2	0153-463	MOUNTING KIT ON WALL WITH 4 CHIPBOARD SCREW	1
2.1	25000039	CHIPBOARD SCREW 5X50 US-SLATORX A2	4
2.2	9961004	DOWEL 6X30MM	4