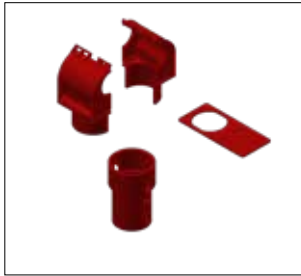
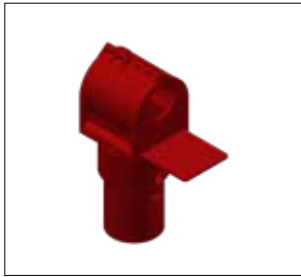


MOUNTING INSTRUCTION



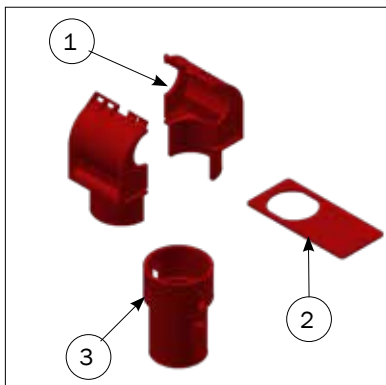
T-PIECES AND DOWNPIPES



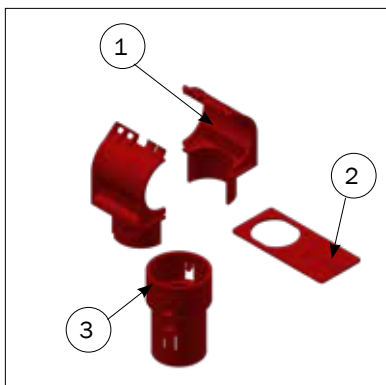
ACO FUNKI A/S
Kirkevænget 5
DK-7400 Herning

Tel. +45 9711 9600
www.acofunki.com
www.egebjerg.com

T-pieces



PARTS LIST			
	Item No.	Description	Pcs.
	0142-015	T-PIECE WITH SLIDE, Ø38	
1	0142-013	HALF FOR Ø38 T-PIECE	2
2	0232-007	SLIDE FOR T-PIECE	1
3	0232-008	DISCHARGE SOCKET FOR T-PIECE	1



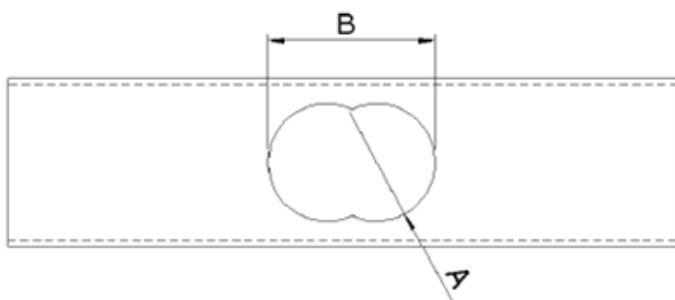
PARTS LIST			
	Item No.	Description	Pcs.
	0232-010	T-PIECE WITH SLIDE, Ø60	
1	0232-006	HALF FOR Ø60 T-PIECE	2
2	0232-007	SLIDE FOR T-PIECE	1
3	0232-008	DISCHARGE SOCKET FOR T-PIECE	1



The T-piece comes with a red slide, but it is possible to buy in a black color.

Drilling of outlet holes

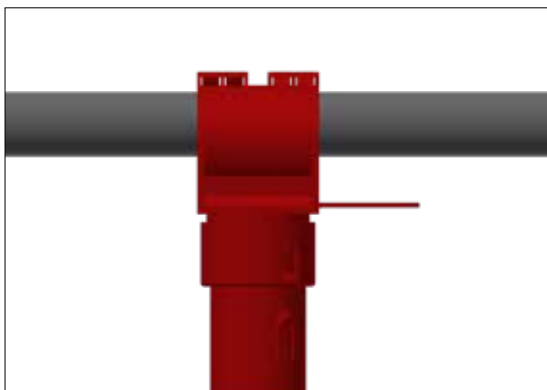
- When the feed string is assembled, it is marked up to outlet holes where feed outlets or feed boxes are to be placed.
- The outlet holes in the casing are drilled with a conical drill 86148.



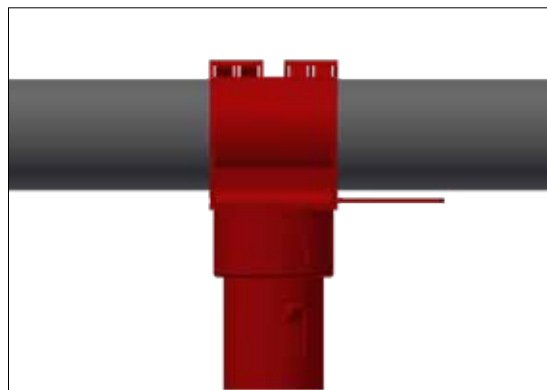
Feed tube	A	B
38mm	25	50
60mm	35	60

T-pieces

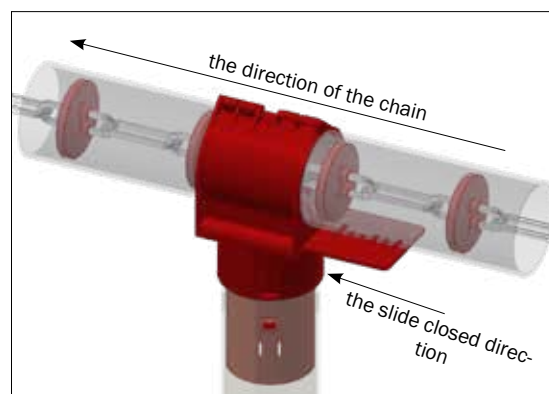
Ø38 mm transport pipes



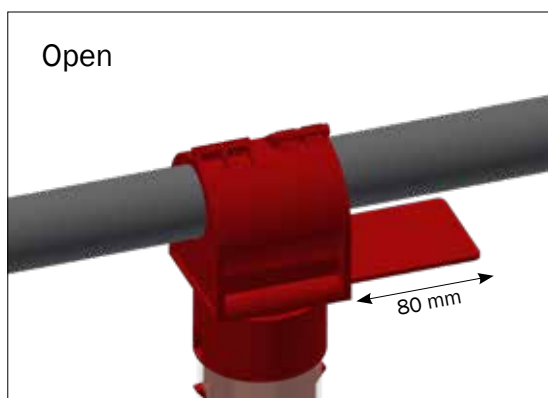
Ø60 mm transport pipes



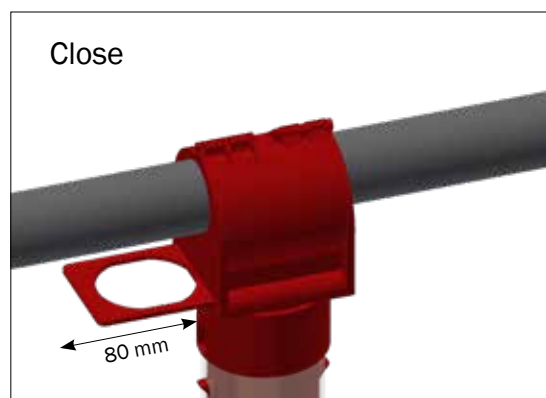
- The T-pieces are mounted on the transport pipes and the outlet sleeve.
- tighten, so that the pieces do not slide on the transport tube.
- the slide is turned correctly with relation to up / down.
- the slide closed in the direction of the chain.



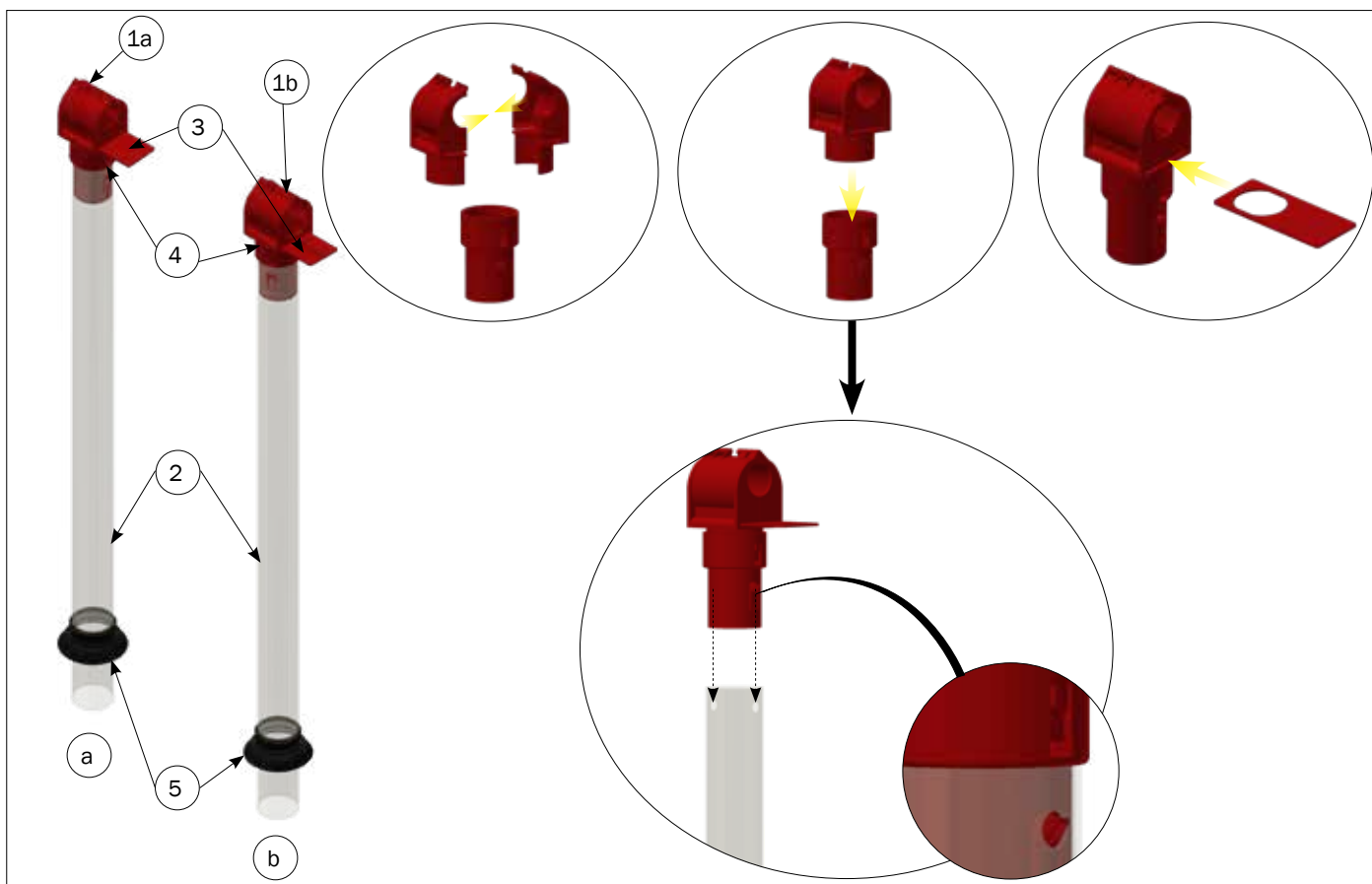
Open



Close

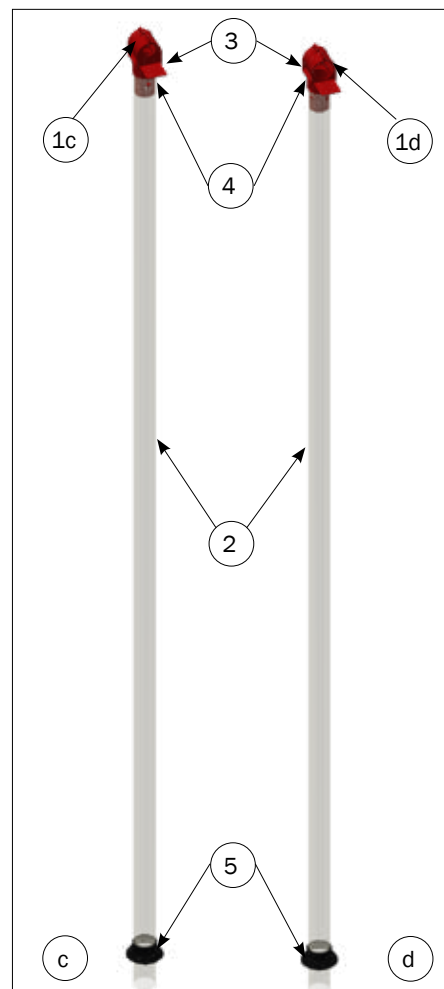


Feed downpipes with T-pieces



PARTS LIST			
	Item No.	Description	Pcs.
a	0227-591	FEED DOWNPIPE Ø63X1000 INCLUDING Ø38 T-PIECE	
b	0227-592	FEED DOWNPIPE Ø63X1000 INCLUDING Ø60 T-PIECE	
1a	0142-013	HALF FOR Ø38 T-PIECE	2
1b	0232-006	HALF FOR Ø60 T-PIECE	2
2	0228-588	DOWNPIPE Ø63X2 1000 MM WITH HOLE	1
3	0232-007	SLIDE FOR T-PIECE	1
4	0232-008	DISCHARGE SOCKET FOR T-PIECE	1
5	90268	MASTER COLLAR, PLASTIC, FOR DOWN PIPE	1

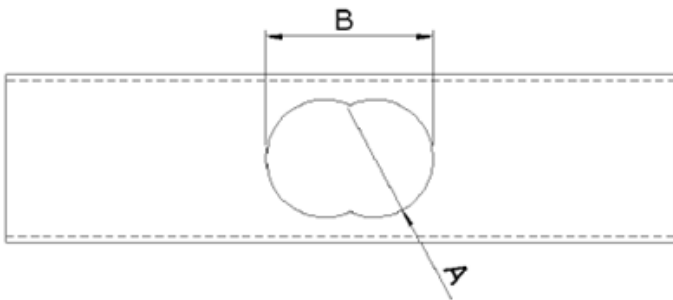
PARTS LIST			
	Item No.	Description	Pcs.
c	0227-593	FEED DOWNPIPE Ø63X3000 INCLUDING Ø38 T-PIECE	
d	0227-594	FEED DOWNPIPE Ø63X3000 INCLUDING Ø60 T-PIECE	
1c	0142-013	HALF FOR Ø38 T-PIECE	2
1d	0232-006	HALF FOR Ø60 T-PIECE	2
2	0228-589	DOWNPIPE Ø63X2 3000 MM WITH HOLE	1
3	0232-007	SLIDE FOR T-PIECE	1
4	0232-008	DISCHARGE SOCKET FOR T-PIECE	1
5	90268	MASTER COLLAR, PLASTIC, FOR DOWN PIPE	1



Fixed T-piece

Drilling of outlet holes

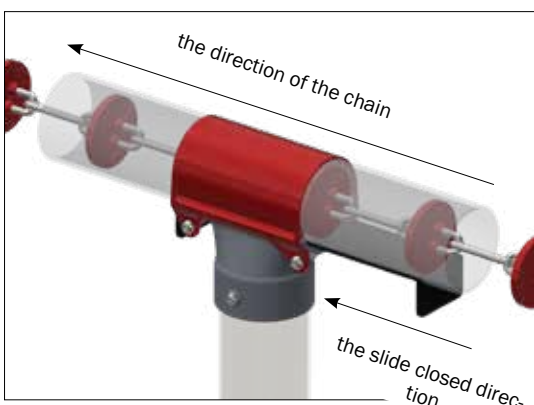
- When the feed string is assembled, it is marked up to outlet holes where feed outlets or feed boxes are to be placed.
- The outlet holes in the casing are drilled with a conical drill 86148.



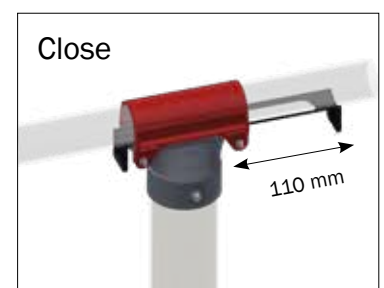
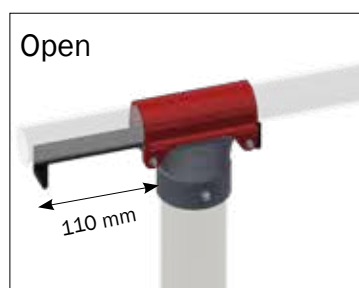
Feed tube	A	B
38mm	25	50
50mm	35	60
60mm	42	60
75mm	42	60



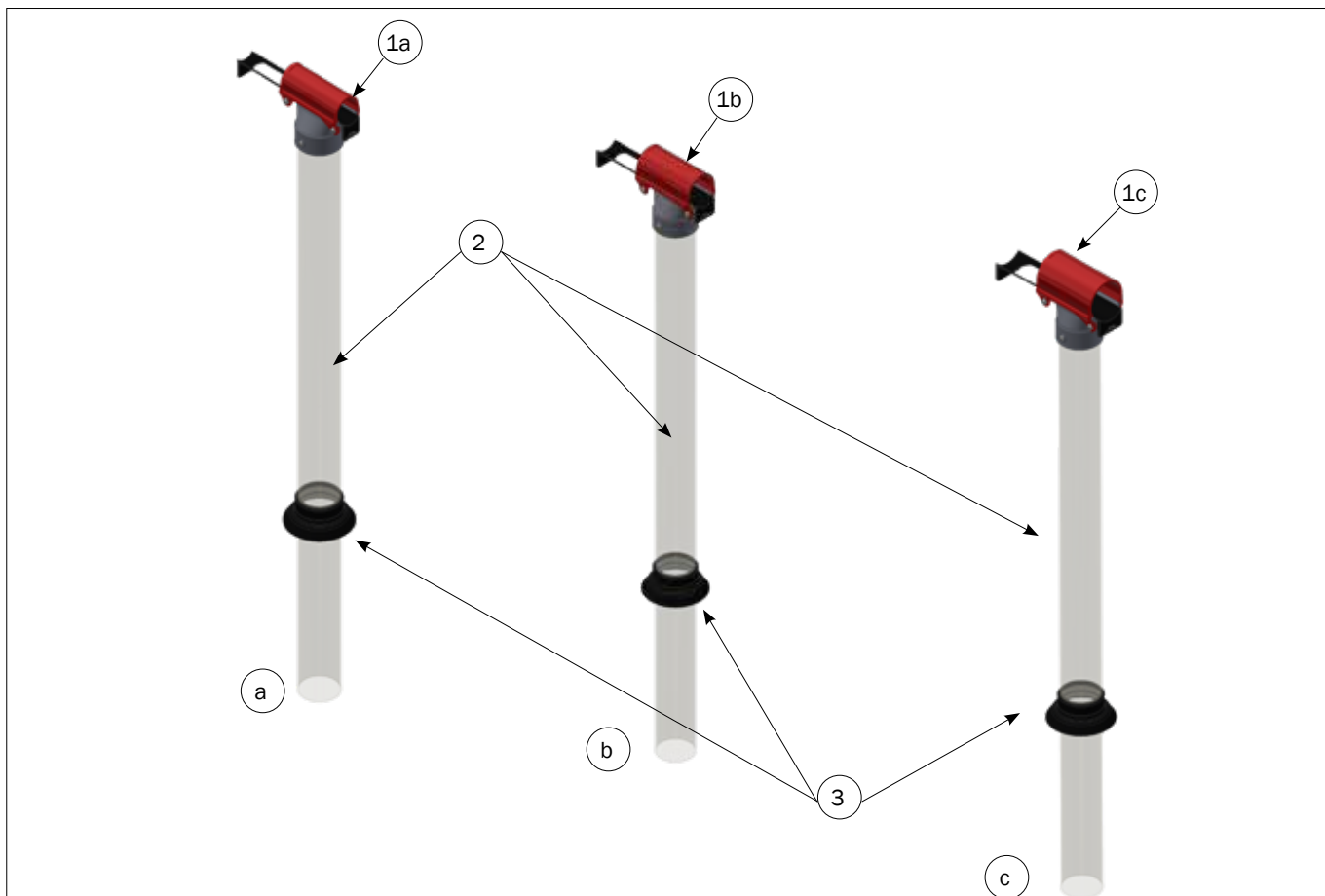
- The holes in the feed pipe are deburred inside and outside the pipe.
- The top cover of the feed outlet is mounted across the feed pipe.
- The feed outlet is clamped together with a star screwdriver.
- Always tighten with a hand screwdriver so that the slide can move freely back and forth.



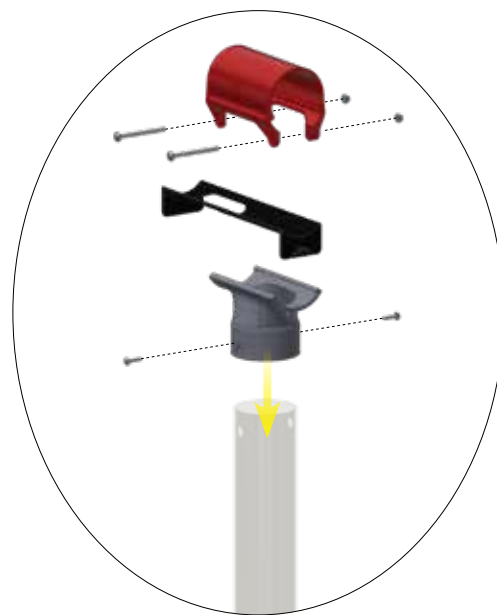
- the slide closed in the direction of the chain.



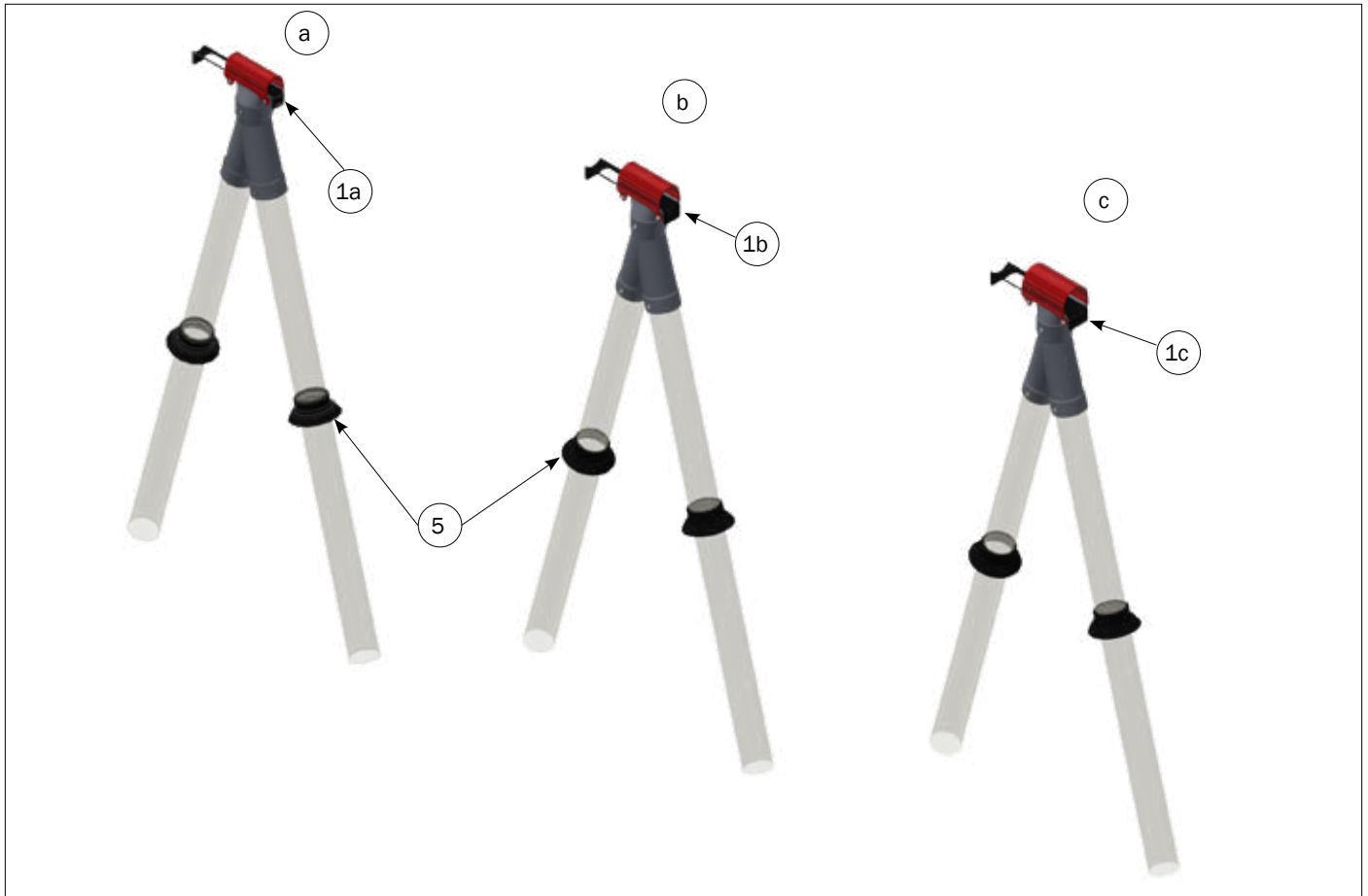
Feed downpipes with fixed T-piece



PARTS LIST			
	Item No.	Description	Pcs.
a	90550	FEED DOWNPIPE 38 MM WITH FIXED T-PIECE	
b	90552	FEED DOWNPIPE 50 MM WITH FIXED T-PIECE	
c	90554	FEED DOWNPIPE 60 MM WITH FIXED T-PIECE	
1a	90482	FIXED T-PIECE FOR 38 MM	1
1b	90484	FIXED T-PIECE FOR 50 MM	1
1c	90486	FIXED T-PIECE FOR 60 MM	1
2	0228-588	DOWNPIPE Ø63X2 1000 MM WITH HOLE	1
3	90268	MASTER COLLAR, PLASTIC, FOR DOWN PIPE	1

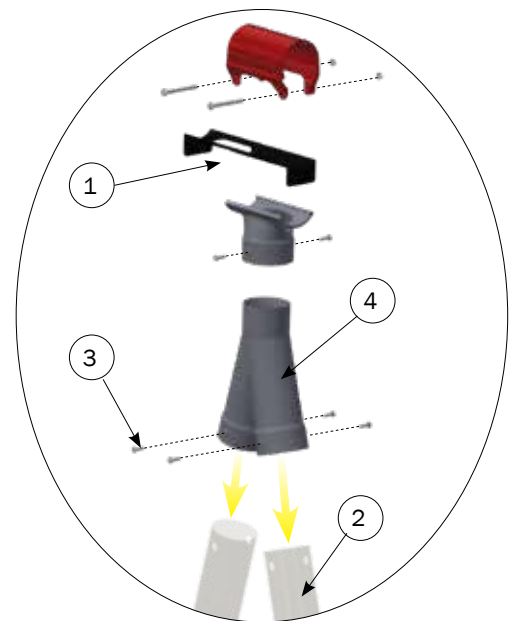


Feed downpipes Y-model with T-piece



PARTS LIST

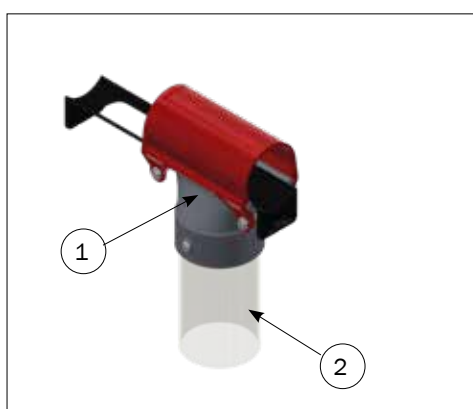
	Item No.	Description	Pcs.
a	90571	FEED DOWNPIPE 38 MM Y- MODELWITH FIXED T-PIECE	
b	90573	FEED DOWNPIPE 50 MM Y-MODEL WITH FIXED T-PIECE	
c	90574	FEED DOWNPIPE 60 MM Y-MODEL WITH FIXED T-PIECE	
1a	90482	FIXED T-PIECE FOR 38 MM	1
1b	90484	FIXED T-PIECE FOR 50 MM	1
1c	90486	FIXED T-PIECE FOR 60 MM	1
2	0228-588	DOWNPIPE Ø63X2 1000 MM WITH HOLE	2
3	67055	PAN HEAD ST 4.2X16 MM A2 DIN 7981C	4
4	90212	Y-BRANCH 63 MM 30°	1
5	90268	MASTER COLLAR, PLASTIC, FOR DOWN PIPE	2



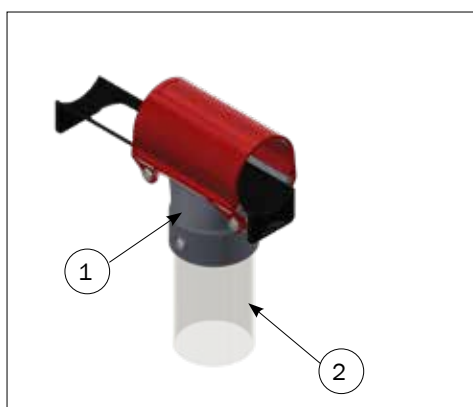
Feed downpipes with fixed T-piece



PARTS LIST			
	Item No.	Description	Pcs.
	90560	FEED DOWNPIPE 38 MM WITH FIXED T-PIECE FOR TUBE FEEDER	
1	90482	FIXED T-PIECE FOR 38 MM	1
2	90203	PLASTIC PIPES 63 X 125 MM	1



PARTS LIST			
	Item No.	Description	Pcs.
	90562	FEED DOWNPIPE 50 MM WITH FIXED T-PIECE FOR TUBE FEEDER	
1	90484	FIXED T-PIECE FOR 50 MM	1
2	90203	PLASTIC PIPES 63 X 125 MM	1



PARTS LIST			
	Item No.	Description	Pcs.
	90564	FEED DOWNPIPE 60 MM WITH FIXED T-PIECE FOR TUBE FEEDER	
1	90486	FIXED T-PIECE FOR 60 MM	1
2	90203	PLASTIC PIPES 63 X 125 MM	1

These model of the T-pieces are used for TUBE-O-MATE.

Item numbers are 89504M, 89504U, 89684M, 89684U

Feed downpipes accessories



PARTS LIST		
	Item No.	Description
1	0228-595	TELESCOP WITH DOWNPIPE
2	0228-588	DOWNPIPE Ø63X2 1000 MM WITH HOLE
3	90268	MASTER COLLAR, PLASTIC, FOR DOWN PIPE
4	90212	Y-BRANCH 63 MM 30°

Feed downpipes fixed piece - Ø75 mm outlet



PARTS LIST		
	Item No.	Description
1	0228-488	FIXED T-PIECE 76 MM
2	90249	PLASTIC DOWN TUBE 75 SPEC. LENGTH
3	0228-480	TELESCOP PIPE Ø80
4	0228-510	Y-PIECE 75 MM 60°

