

MOUNTING INSTRUCTION



VD2-Ø60 6-10 LITER



ACO FUNKI A/S

Kirkevænget 5
DK-7400 Herning

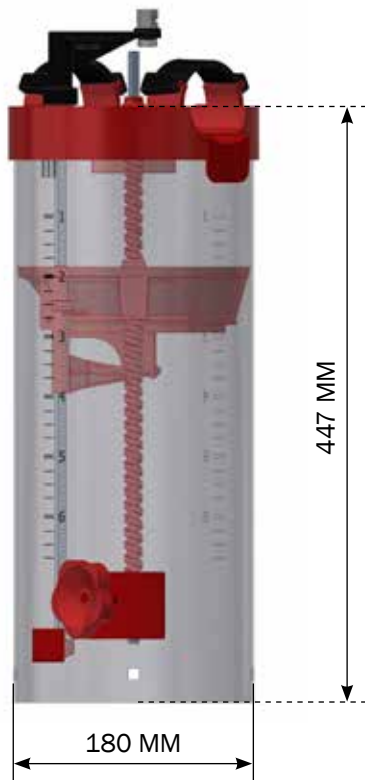
Tel. +45 9711 9600

Fax +45 9711 9677

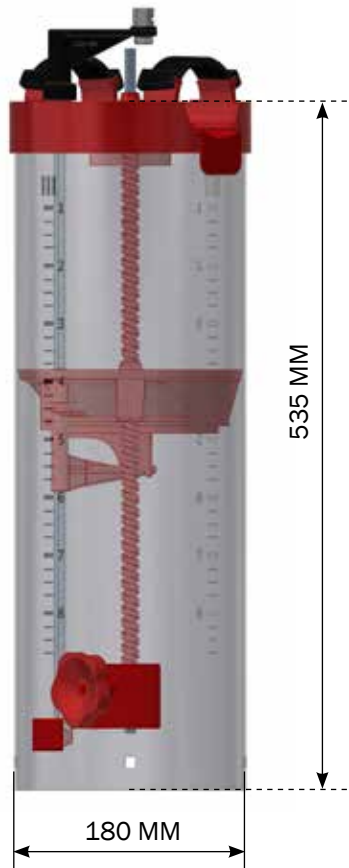
www.acofunki.com

DANISH DESIGN | GERMAN QUALITY | GLOBAL EXPERIENCE

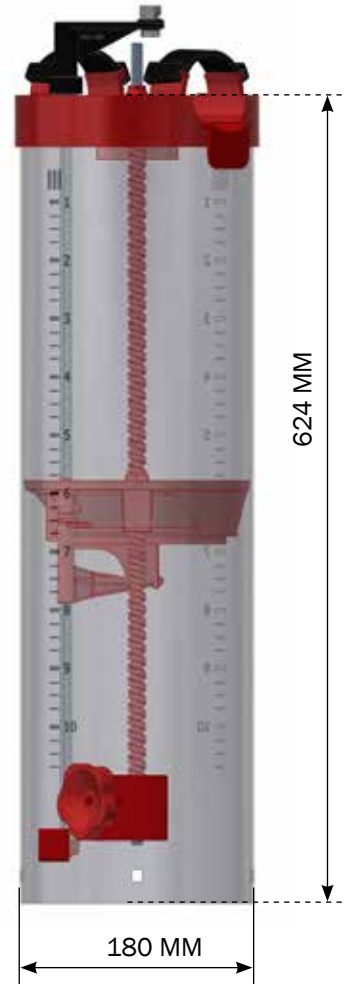
6 LITER



8 LITER



10 LITER



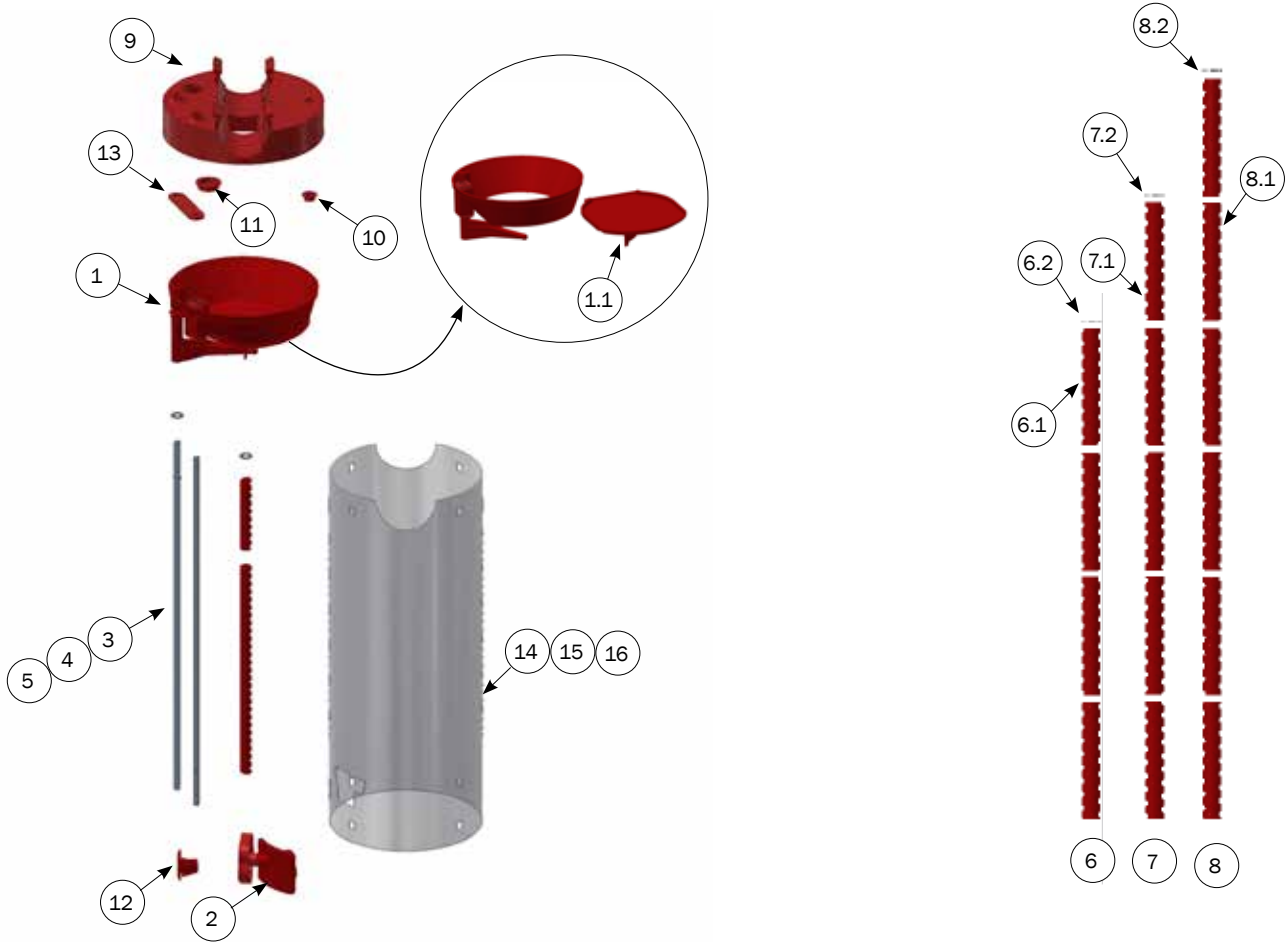
VD2-Ø60, 6 -10 LITER



PART LIST

NO.	ITEM NO.	DESCRIPTION	PCS.
a	0221-252	VD2-Ø60, 6 LITRE WITH Ø75 MM OUTLET	
b	0221-253	VD2-Ø60, 8 LITRE WITH Ø75 MM OUTLET	
c	0221-254	VD2-Ø60, 10 LITRE WITH Ø75 MM OUTLET	
1	0221-127	SLIDE WITHOUT HOLE	1
2	0221-448	CLAMP VD2	2
3	0221-133	WIRE CLAMP STAINLESS STEEL	1
4	0221-285	VD2 RELEASE LEVER	1
5	0221-286	VD2 TOP FOR 6 MM SQUARE BAR	1
6a	0221-298	CONTAINER TYPE 6 VD2 Ø75	1
6b	0221-296	CONTAINER TYPE 8 VD2 Ø75	1
6c	0221-294	CONTAINER TYPE 10 VD2 Ø75	1
7	30308012	SET SCREW M8X12 A2 DIN 933	1

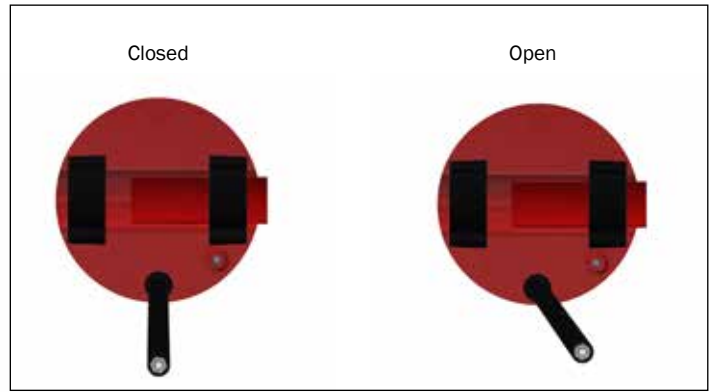
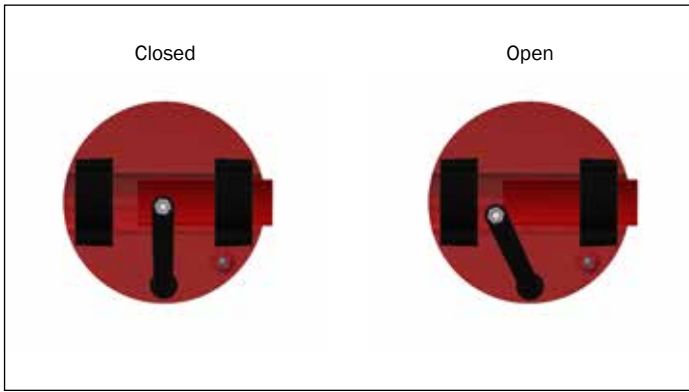
SPAREPARTS FOR CONTAINER TYPE VD2-Ø60, 6-10 LITER



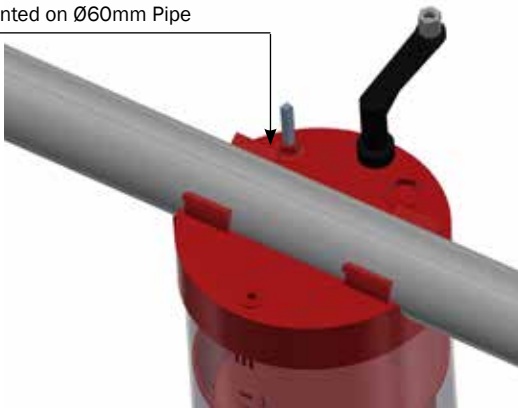
PART LIST			
NO.	ITEM NO.	DESCRIPTION	PCS.
	0221-298	CONTAINER TYPE 6 VD2 Ø75	
	0221-296	CONTAINER TYPE 8 VD2 Ø75	
	0221-294	CONTAINER TYPE 10 VD2 Ø75	
1	0221-138	BOTTOM WITH CLOSING FLAP AND -ARM VD1+VD2	1
1.1	0131-176	BOTTOM HATCH F/VD2	1
2	0221-280	HANDLE WITH MITRE GEAR VD2	1
3	0221-201	REGULATING LEVER WITH MARK 6L VD2	2
4	0221-202	REGULATING LEVER WITH MARK 8L VD2	2
5	0221-203	REGULATING LEVER WITH MARK 10L VD2	2
6	0221-137	VD1+VD2 SPINDLE TYPE 6, COMPLETE	1
6.1	0221-160	SPINDEL TP Ø14X20	4
6.2	35900086	LOCK WASHER FOR VD2	2
7	0221-162	VD1+VD2 SPINDLE TYPE 8, COMPLETE	1
7.1	0221-160	SPINDEL TP Ø14X20	5
7.2	35900086	LOCK WASHER FOR VD2	2
8	0221-163	VD1+VD2 SPINDLE TYPE 10, COMPLETE	1
8.1	0221-160	SPINDEL TP Ø14X20	6
8.2	35900086	LOCK WASHER FOR VD2	2
9	0221-142	COVER FOR VOLDOS VD2	1
10	23900304	PLASTIC PLUG FOR VD2, SMALL	1
11	23900305	PLASTIC PLUG FOR VD2, BIG	1
12	0221-145	HOLDER FOR ROD VD2	1
13	0221-004	SPACER FOR VD2	1
14	0221-300	PVC CONTAINER 6L VD2 AND VD22	1
15	0221-301	PVC CONTAINER 8L VD2 AND VD22	1
16	0221-302	PVC CONTAINER 10L VD2 AND VD22	1

MOUNTING

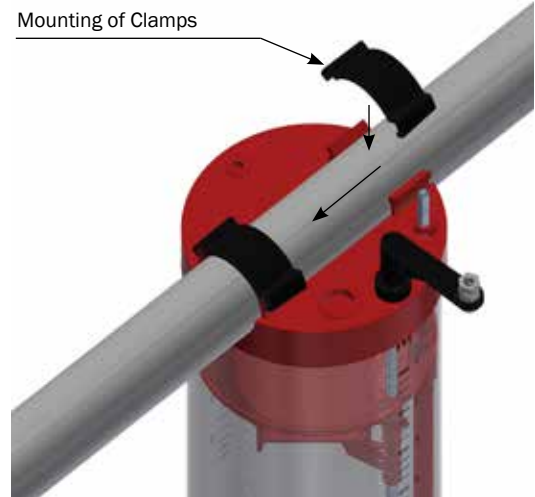
Position of handle



Mounted on Ø60mm Pipe



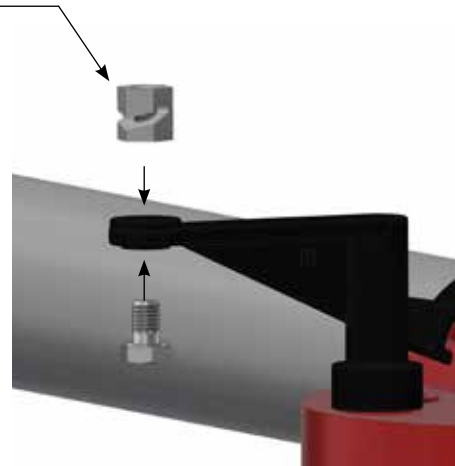
Mounting of Clamps



Mounted with **Adapter VD2/VD6** for reducer



Mounting of Wire Clamp st



0131-191
VD2/VD6 CONNECTION FOR Ø38 MM
CONVEYOR TUBE

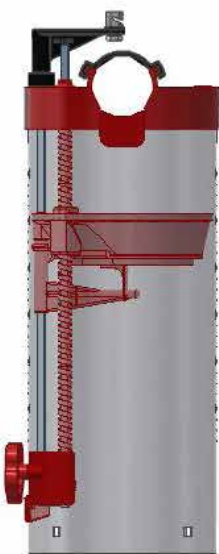


0221-400
VD2/VD6 CONNECTION FOR Ø50 MM
CONVEYOR TUBE



0221-401
VD2/VD6 CONNECTION FOR Ø55 MM
CONVEYOR TUBE

MOUNTED ON DOWN PIPE



0221-512

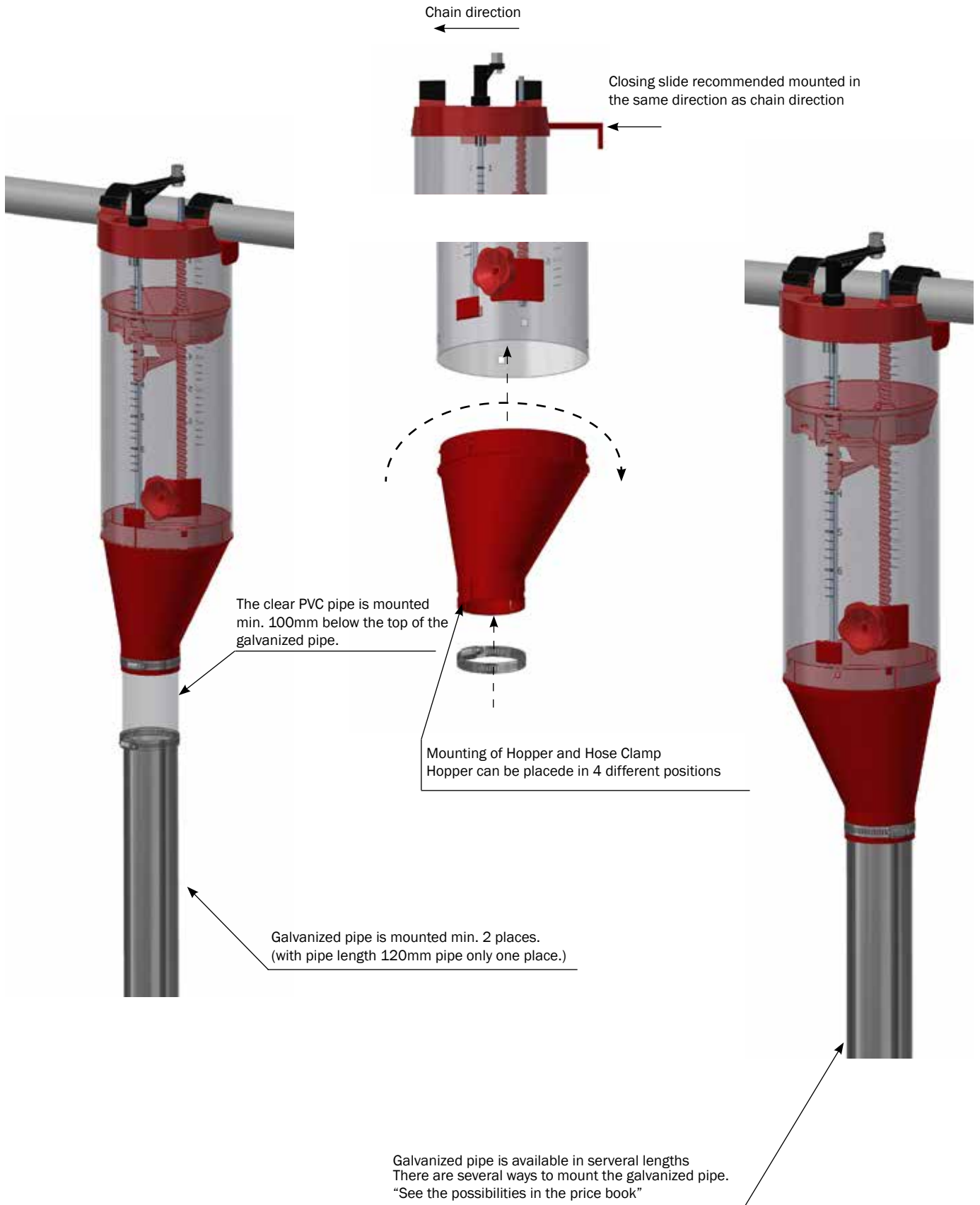


0221-515

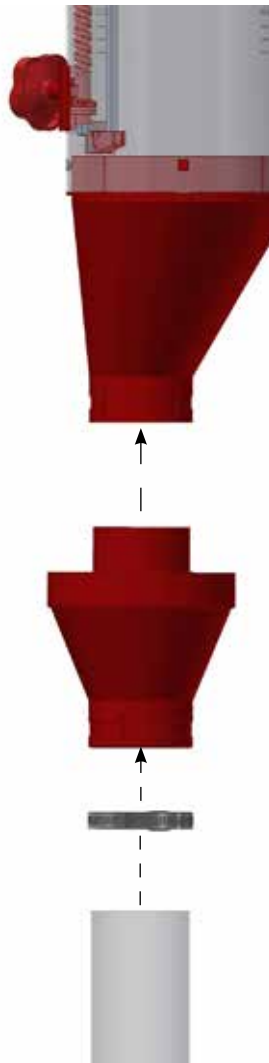


0221-516

MOUNTED ON DOWN PIPE



MOUNTING WITH EXTRA HOPPER

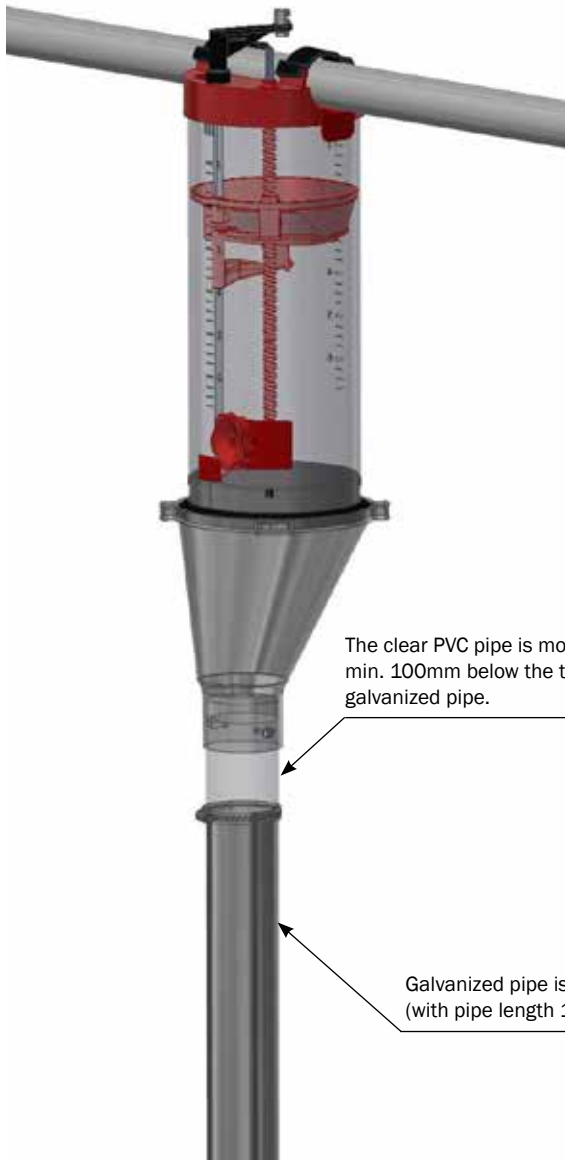


91810
HOPPER WITH INSERT 75 MM FEEDPIPE



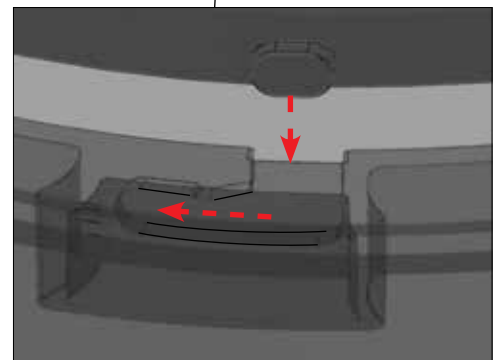
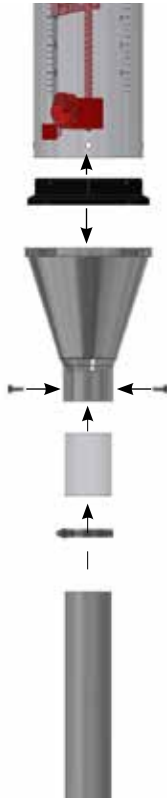
91813
HOPPER WITH CLAMP FOR 75 MM FEEDPIPE

MOUNTED OF VD5 BOTTOM



The clear PVC pipe is mounted min. 100mm below the top of the galvanized pipe.

Galvanized pipe is mounted min. 2 places. (with pipe length 120mm pipe only one place.)

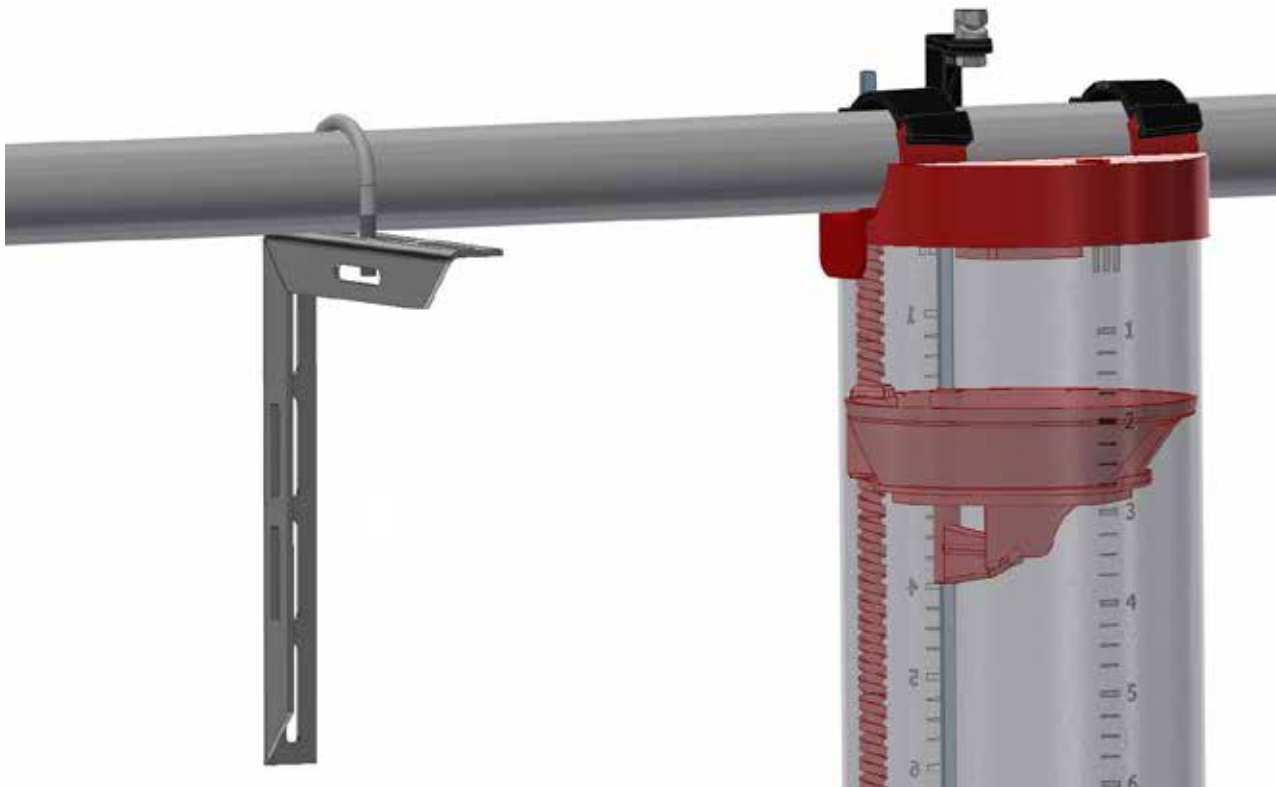


0221-516
VD5 BOTTOM HOPPER FOR VD2
CENTRAL

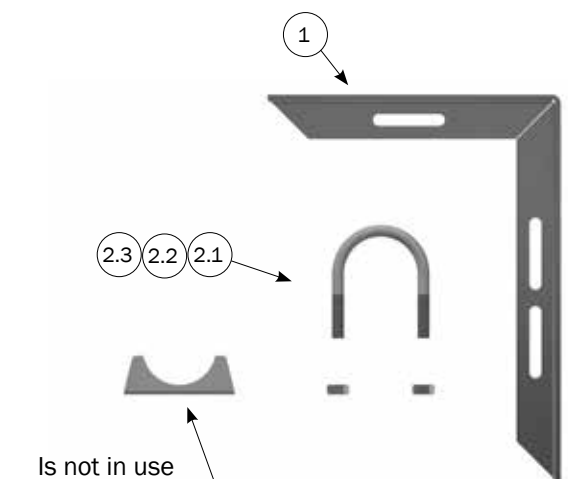


0221-515
VD5 BOTTOM HOPPER FOR VD2
DECENTRAL

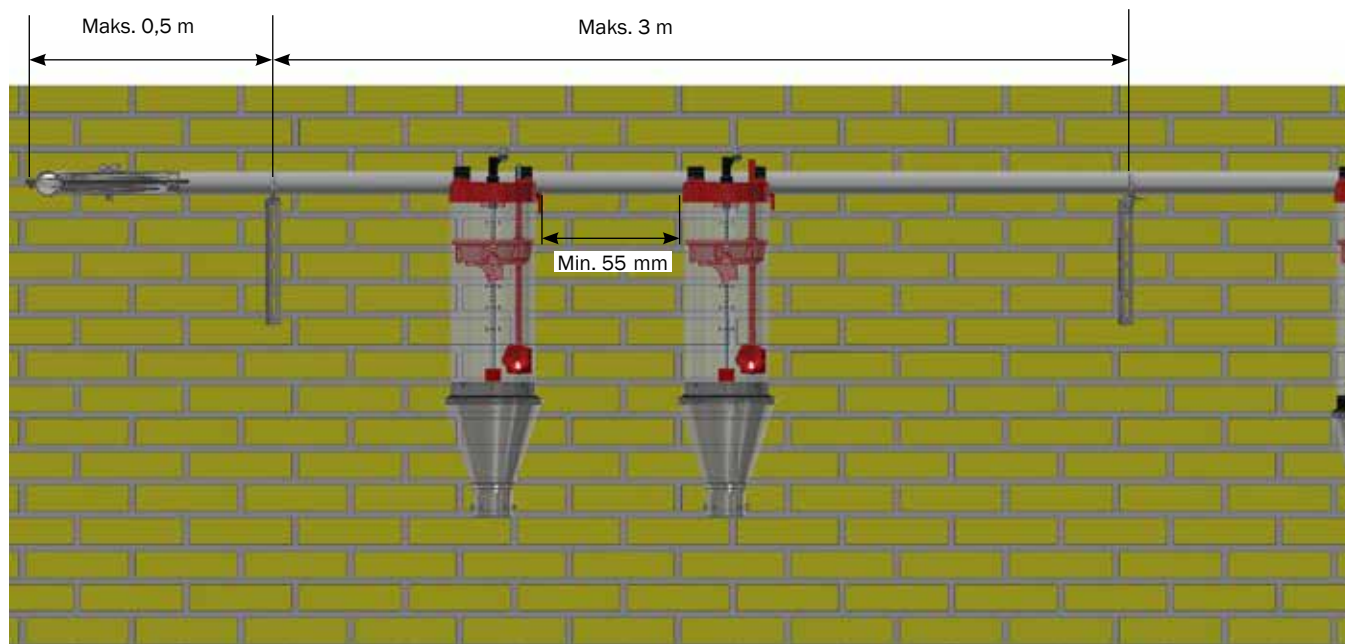
BEARING FOR PIPE



PART LIST		
NO.	ITEM NO.	DESCRIPTION
1	0146-377	PIPE HANGER 20X26 CM
2.1	39900102	CLAMP SET Ø38
2.2	39900104	CLAMPS SET Ø50
2.3	39900103	CLAMP SET Ø60

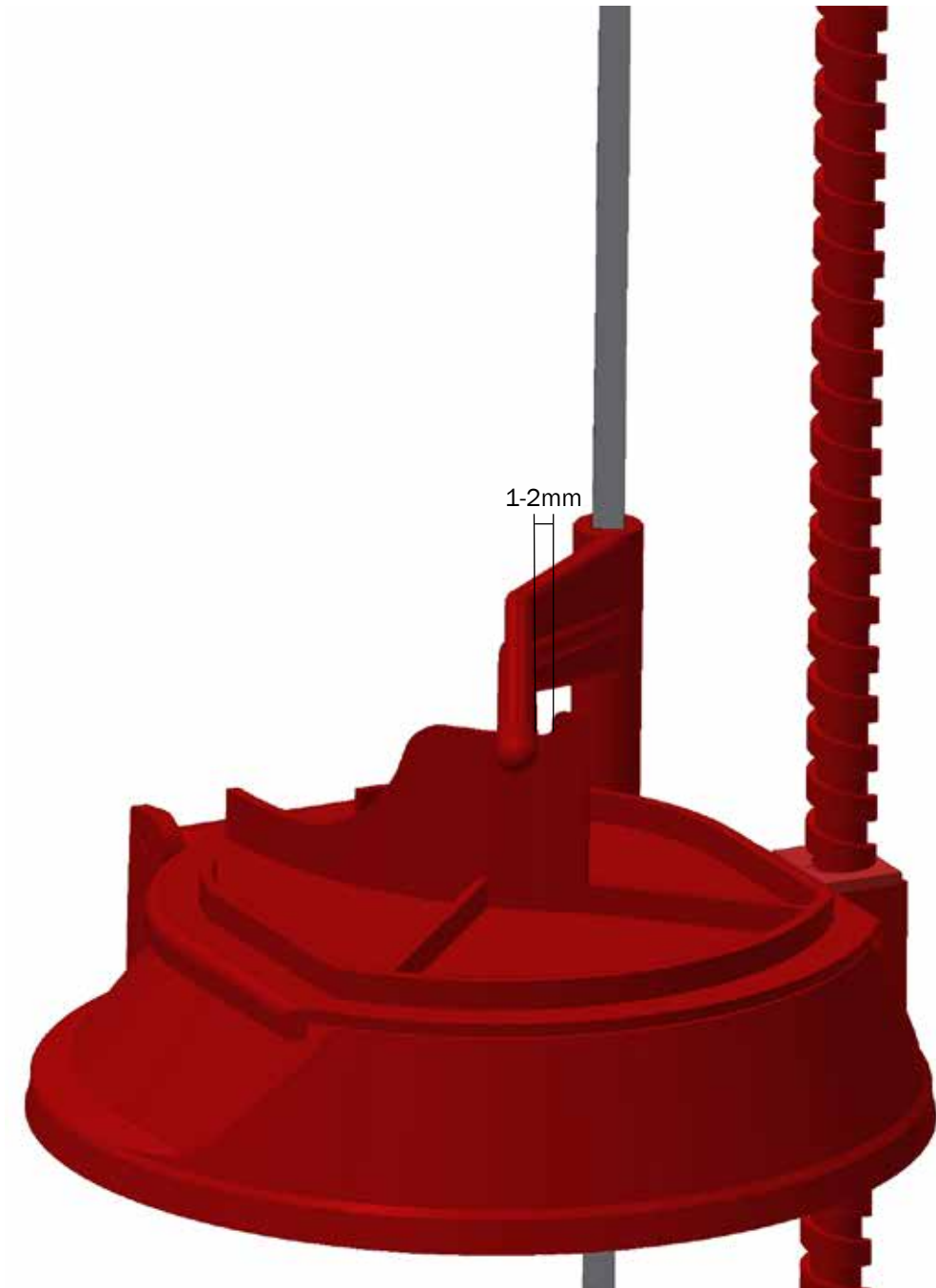


MOUNTED OF BEARING AND PIPE



For further instructions, refer to installation instructions M-1051.

INSTALLING OF BOTTOM FLAP



If it goes tight, check if it is set correctly, as shown on the picture