

MOUNTING INSTRUCTION



VD22-Ø60 6-10 LITER



ACO FUNKI A/S

Kirkevænget 5
DK-7400 Herning

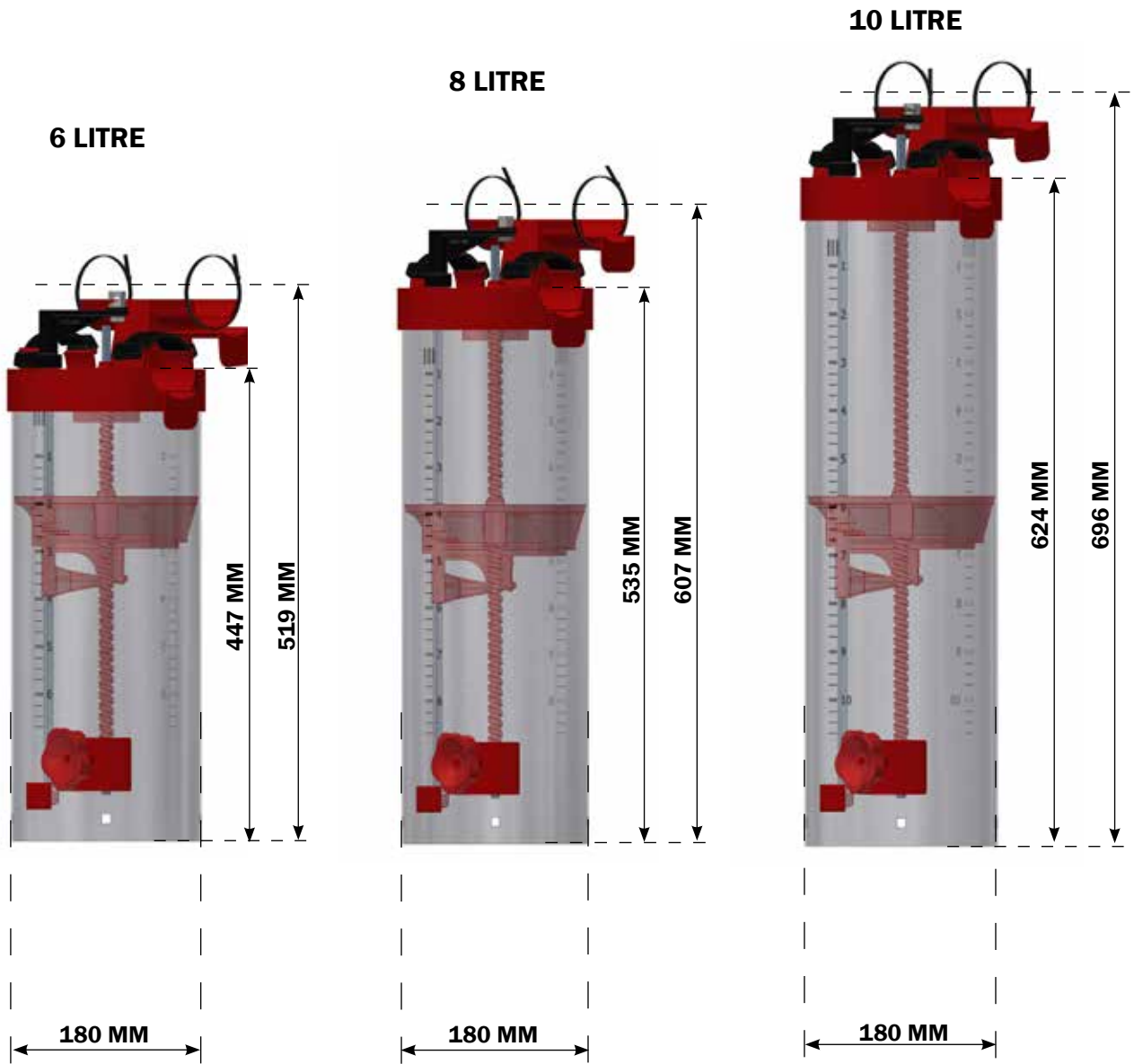
Tel. +45 9711 9600

Fax +45 9711 9677

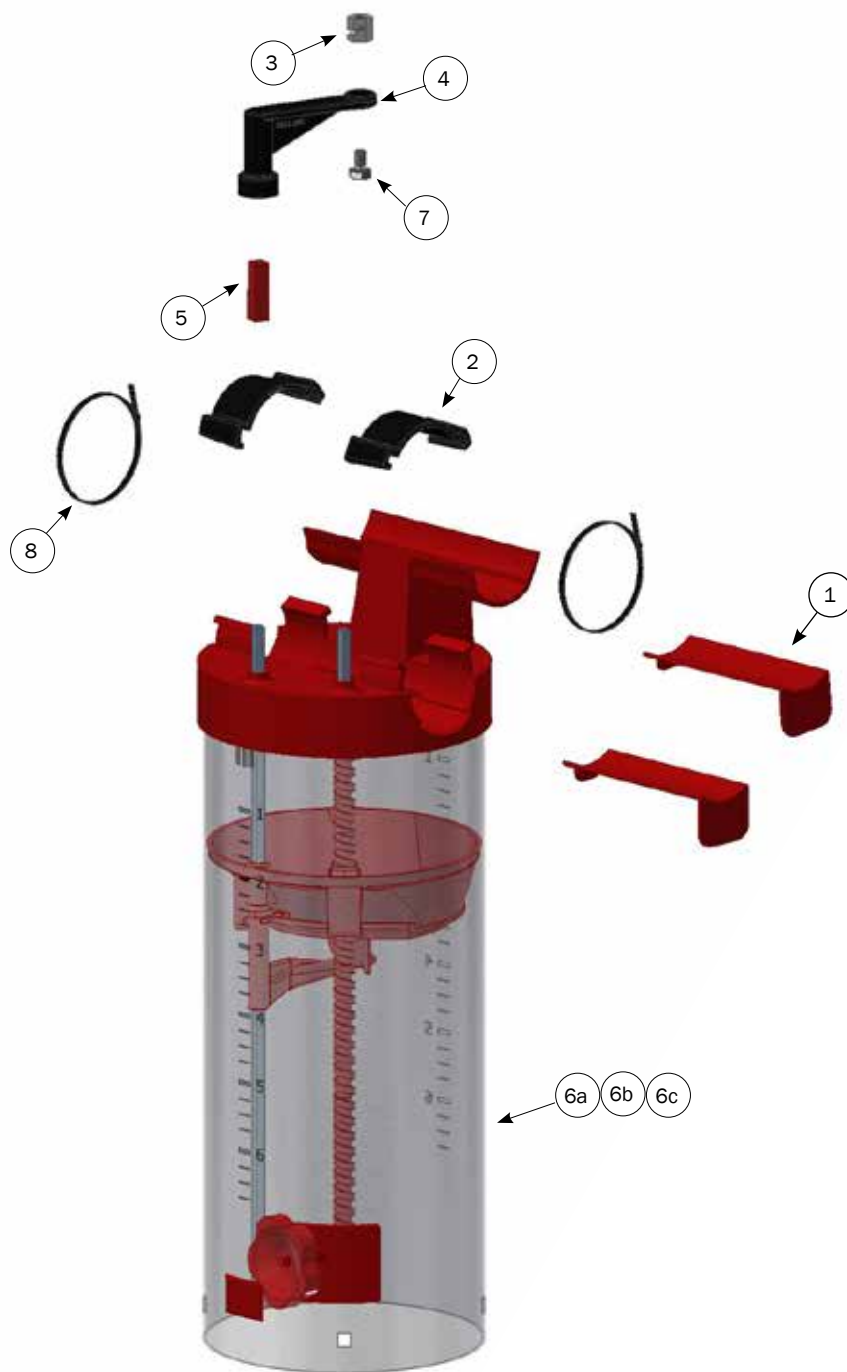
www.acofunki.com

DANISH DESIGN | GERMAN QUALITY | GLOBAL EXPERIENCE

DIMENSION VD22 Ø60, 6-10 LITER



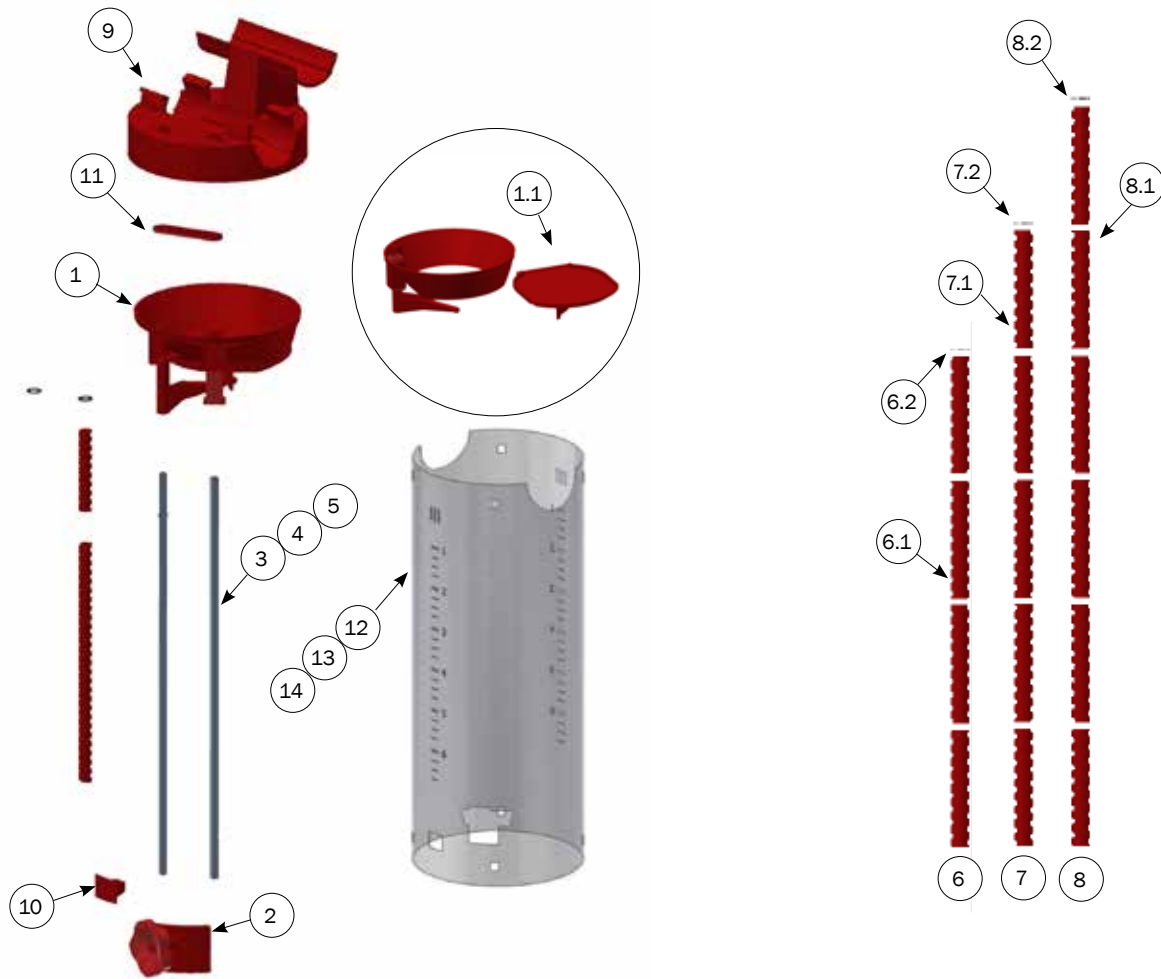
VD22-Ø60, 6 -10 LITER WITH Ø75MM OUTLET



PART LIST

NO.	ITEM NO.	DESCRIPTION	PCS.
a	0221-506	VD22 - Ø60, 6 LITER WITHOUT OUTLET	
b	0221-508	VD22 - Ø60, 8 LITER WITHOUT OUTLET	
c	0221-510	VD22 - Ø60, 10 LITER WITHOUT OUTLET	
1	0221-127	SLIDE WITHOUT HOLE	2
2	0221-448	CLAMP VD2	2
3	0221-133	WIRE CLAMP STAINLESS STEEL	1
4	0221-285	VD2 RELEASE LEVER	1
5	0221-286	VD2 TOP FOR 6 MM SQUARE BAR	1
6a	0221-505	VD22 TOP HOPPER 6 LITER	1
6b	0221-507	VD22 TOP HOPPER 8 LITER	1
6c	0221-509	VD22 TOP HOPPER 10 LITER	1
7	30308012	SET SCREW M8X12 A2 DIN 933	1
8	76200023	CABLE TIE (STRIPS) 290 X 4,6 MM, BLACK	2

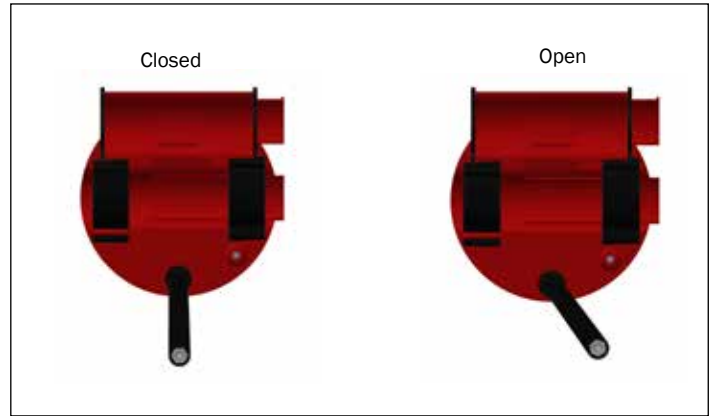
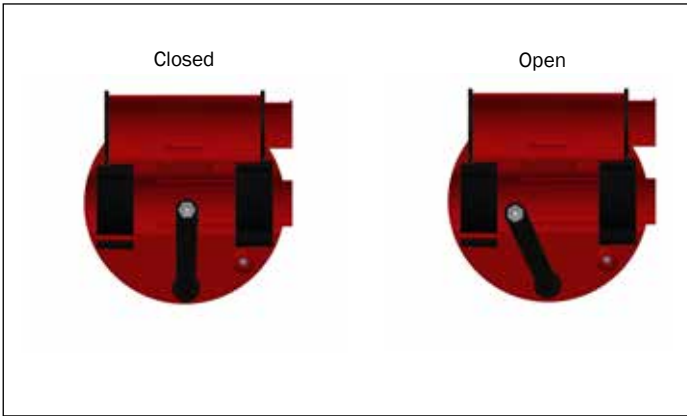
SPAREPARTS FOR CONTAINER TYPE VD22-Ø60, 6-10 LITER



PART LIST			
NO.	ITEM NO.	DESCRIPTION	PCS.
	0221-505	VD22 TOP HOPPER 6 LITER	
	0221-507	VD22 TOP HOPPER 8 LITER	
	0221-509	VD22 TOP HOPPER 10 LITER	
1	0221-138	BOTTOM WITH CLOSING FLAP AND -ARM VD1+VD2	1
1.1	0131-176	BOTTOM HATCH F/VD2	1
2	0221-280	HANDLE WITH MITRE GEAR VD2	1
3	0221-201	REGULATING LEVER 6L VD2	2
4	0221-202	REGULATING LEVER 8L VD2	2
5	0221-203	REGULATING LEVER 10L VD2	2
6	0221-137	VD1+VD2 SPINDLE TYPE 6, COMPLETE	1
6.1	0221-160	SPINDEL TP Ø14X20	4
6.2	35900086	LOCK WASHER FOR VD2	2
7	0221-162	VD1+VD2 SPINDLE TYPE 8, COMPLETE	1
7.1	0221-160	SPINDEL TP Ø14X20	5
7.2	35900086	LOCK WASHER FOR VD2	2
8	0221-163	VD1+VD2 SPINDEL TYPE 10, KOMPLET	1
8.1	0221-160	SPINDEL TP Ø14X20	6
8.2	35900086	LOCK WASHER FOR VD2	2
9	0221-289	COVER FOR VOLUME DOSERS VD22	1
10	0221-145	HOLDER FOR ROD VD2	1
11	0221-004	SPACER FOR VD2	1
12	0221-300	PVC CONTAINER 6L VD2 AND VD22	1
13	0221-301	PVC CONTAINER 8L VD2 AND VD22	1
14	0221-302	PVC CONTAINER 10L VD2 AND VD22	1

MOUNTING

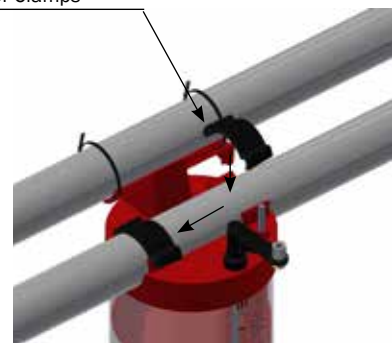
Position of handle



Mounted on Ø60mm Pipe



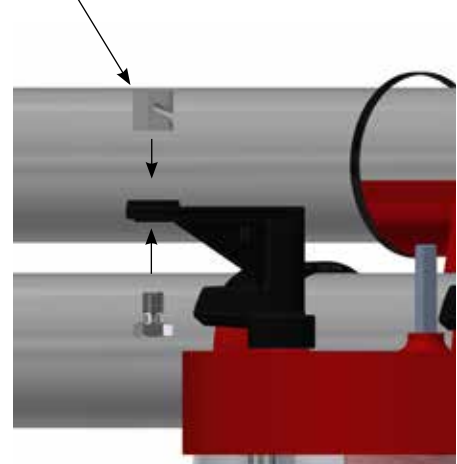
Mounting of Clamps



Mounted with **Adapter VD2/VD6** for reducer



Mounting of Wire Clamp st



0131-191
VD2/VD6 CONNECTION FOR Ø38 MM
CONVEYOR TUBE

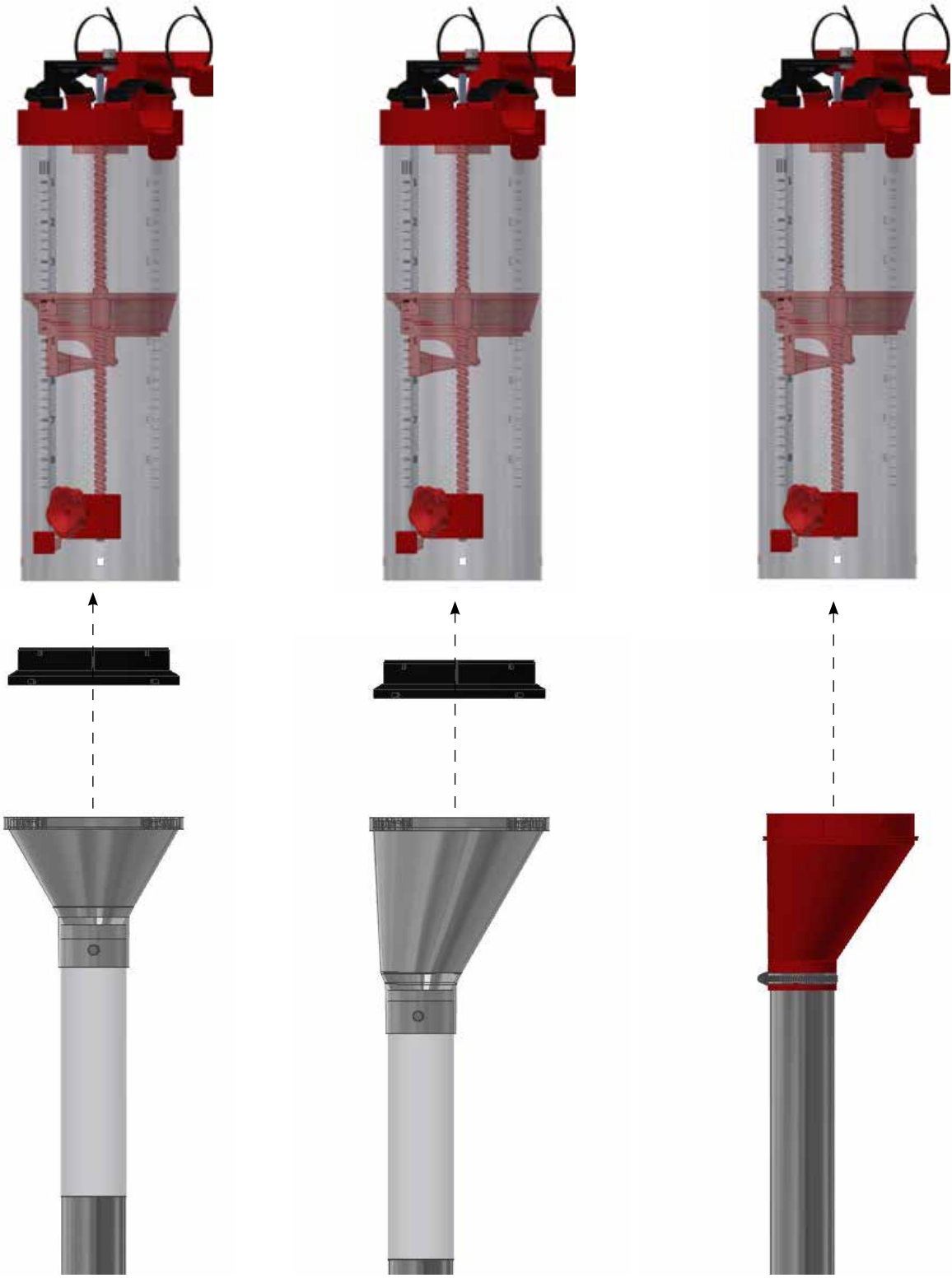


0221-400
VD2/VD6 CONNECTION FOR Ø50 MM
CONVEYOR TUBE



0221-401
VD2/VD6 CONNECTION FOR Ø55 MM
CONVEYOR TUBE

MOUNTED ON DOWN PIPE

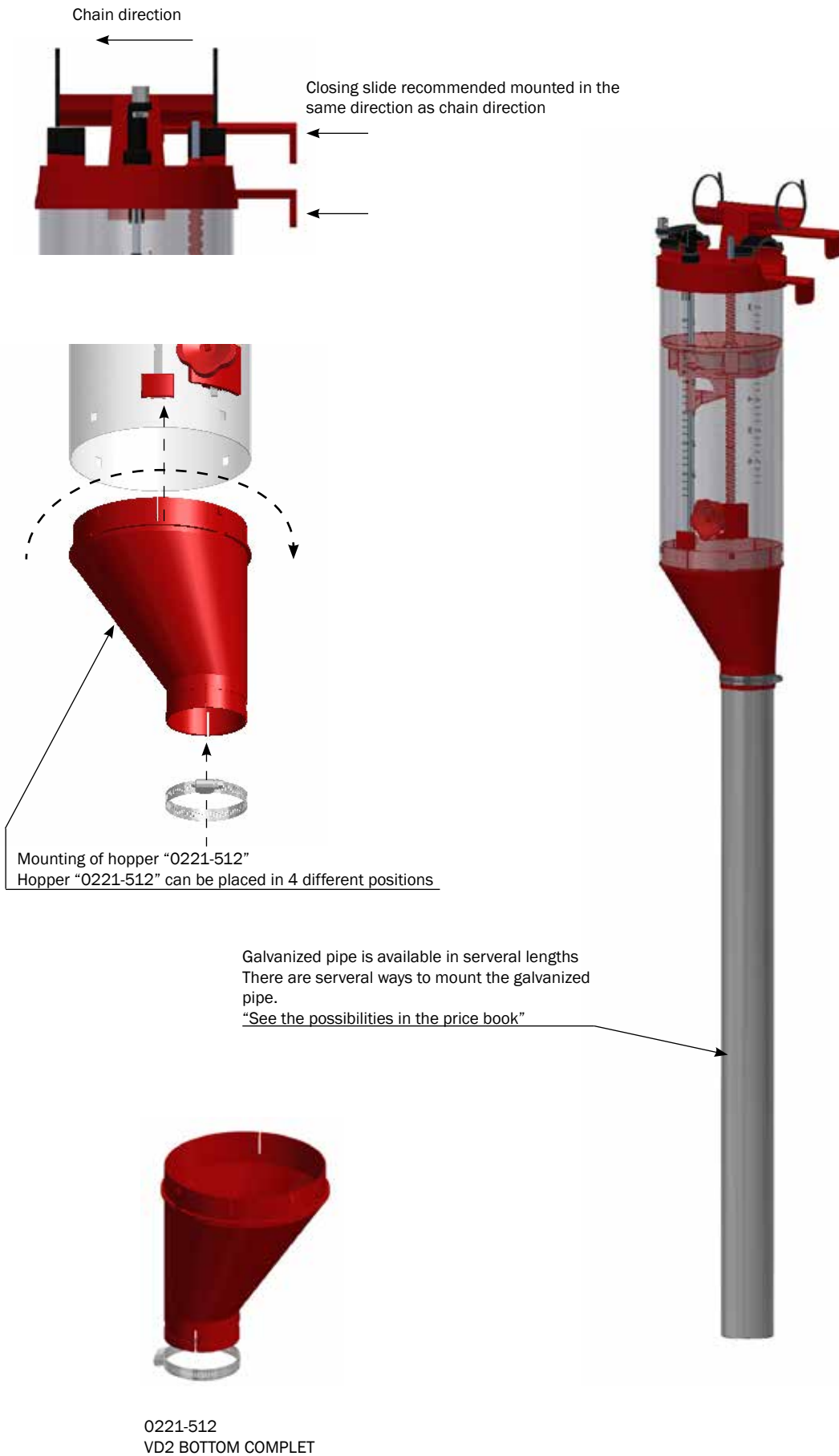


0221-516

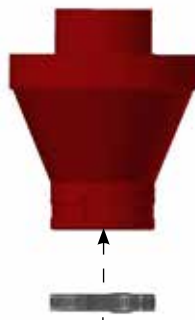
0221-515

0221-512

MOUNTING OF VD2 BOTTOM



MOUNTING WITH EXTRA HOPPER

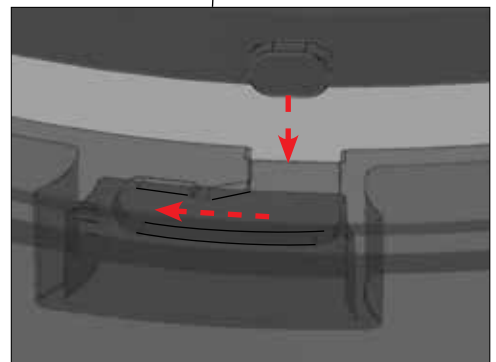
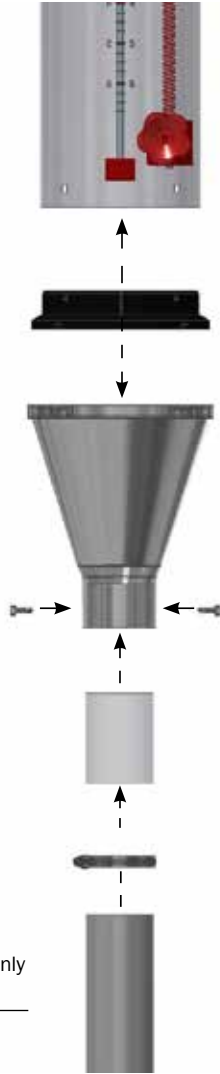


91810
Tragt KPL. for 75mm foderrør



91813
Tragt m/Spændebånd til
75mm foderrør

MOUNTING OF VD5 BOTTOM

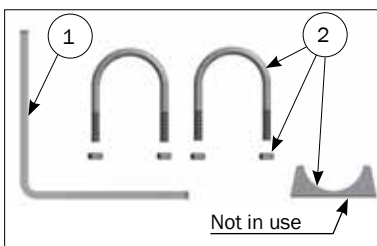
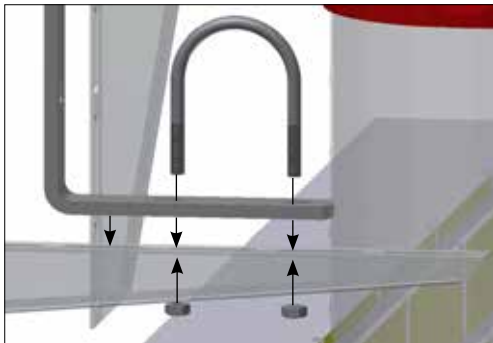


0221-516
VD5 BOTTOM FOR VD2 CENTRAL



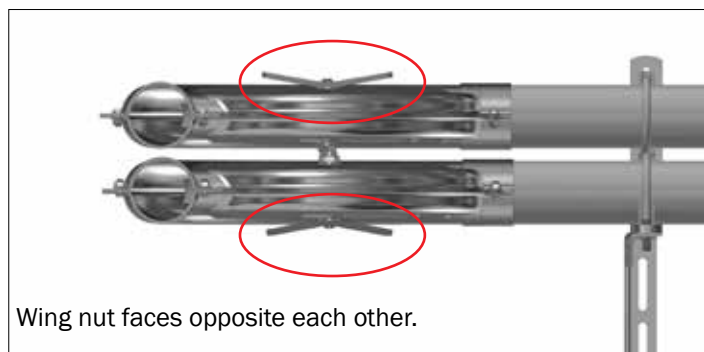
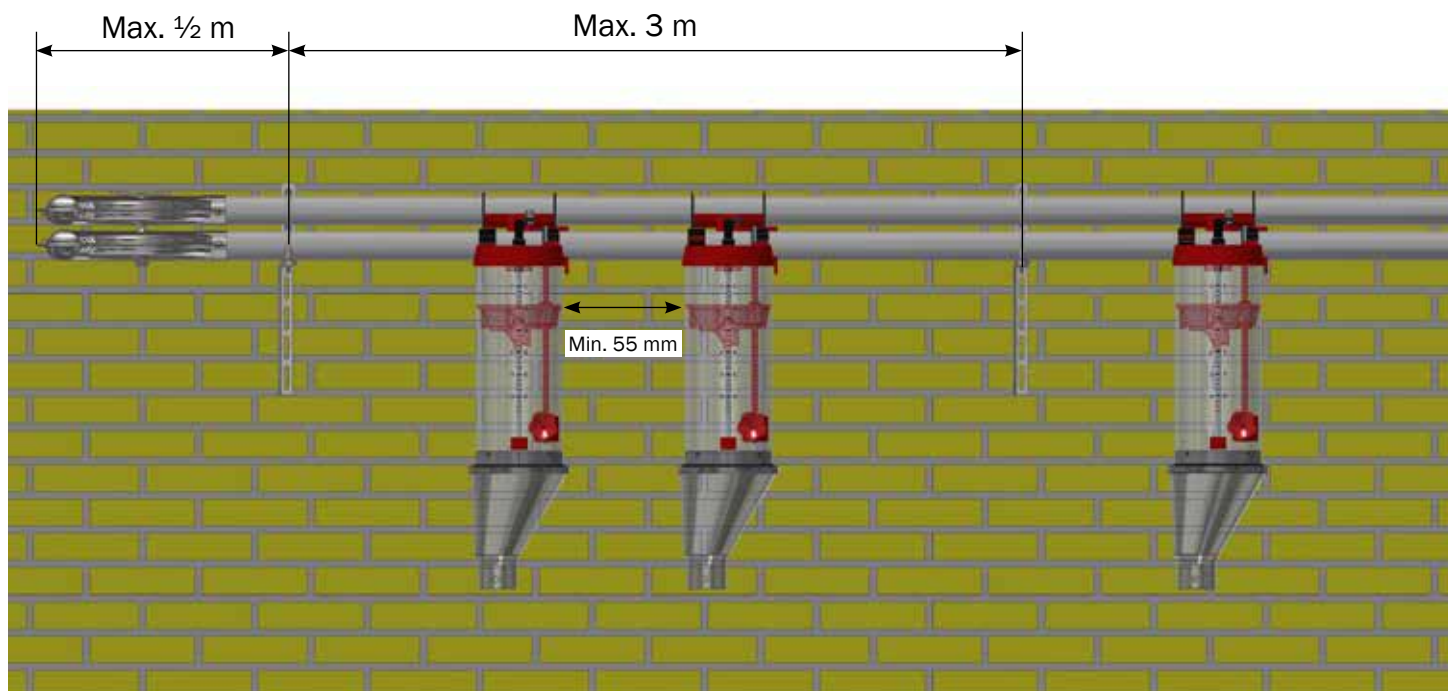
0221-515
VD5 BOTTOM FOR VD2 DECENTRALIZED

BRACKET FOR PIPES

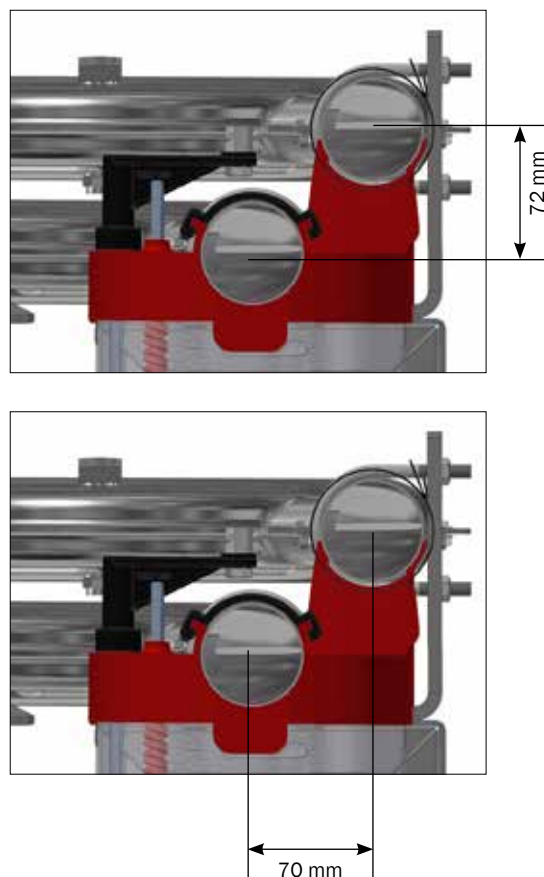


PART LIST			
NO.	ITEM NO.	DESCRIPTION	PCS.
	0221-972	BRACKET FOR 2 Ø60 PIPES	
1	0221-965	BRACKET FOR 2 FEEDING PIPE	1
2	39900103	CLAMP SET Ø60	2

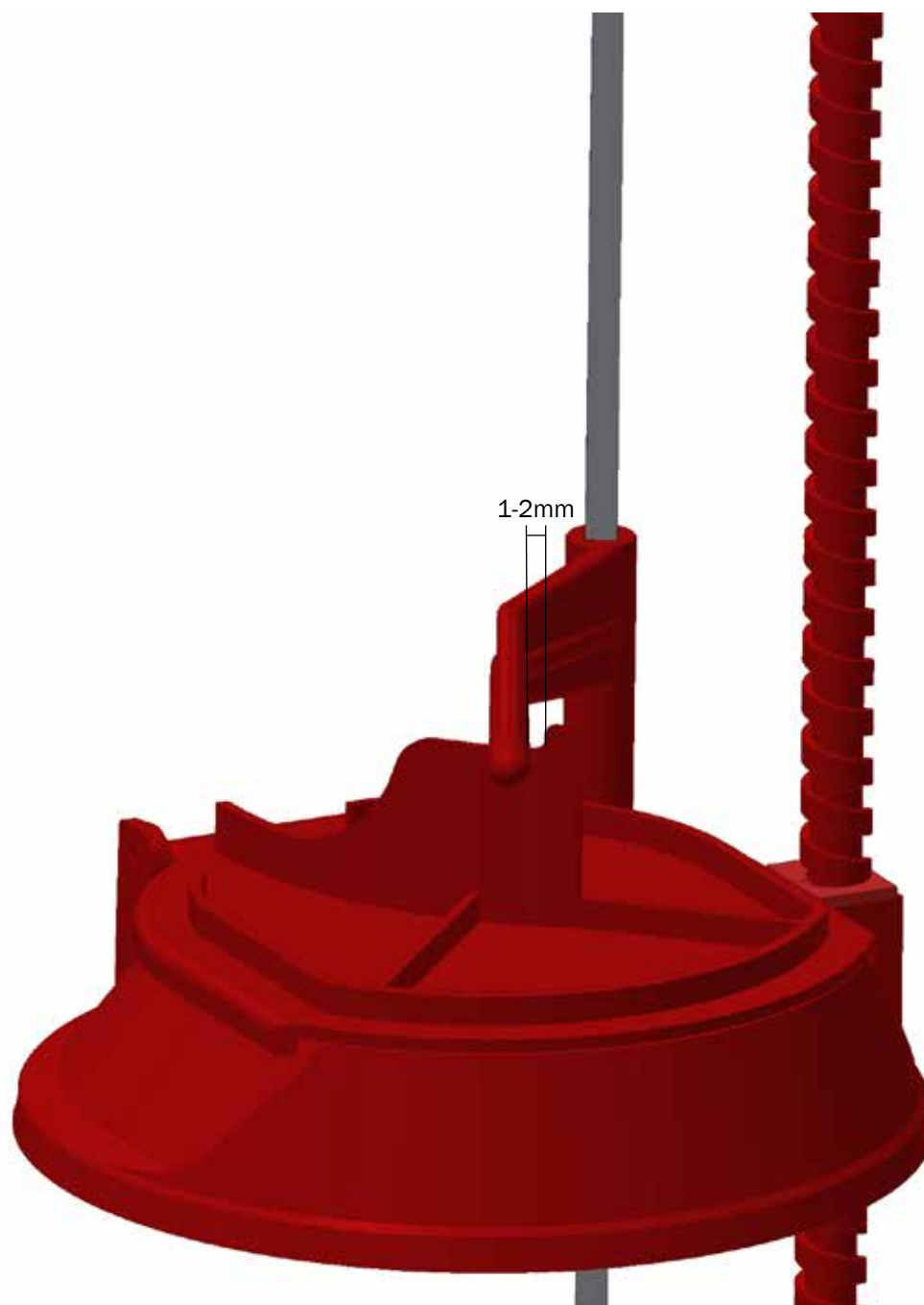
MOUNTING OF BRACKET AND PIPES



For further instructions, refer to installation instructions M-1051.



INSTALLING OF BOTTOM FLAP



If it goes tight, check if it is set correctly, as shown on the picture