

M-1011\_GB

# MOUNTING INSTRUCTION



**VD6-Ø60, 6-8 LITER**



**ACO FUNKI A/S**

Kirkevænget 5  
DK-7400 Herning

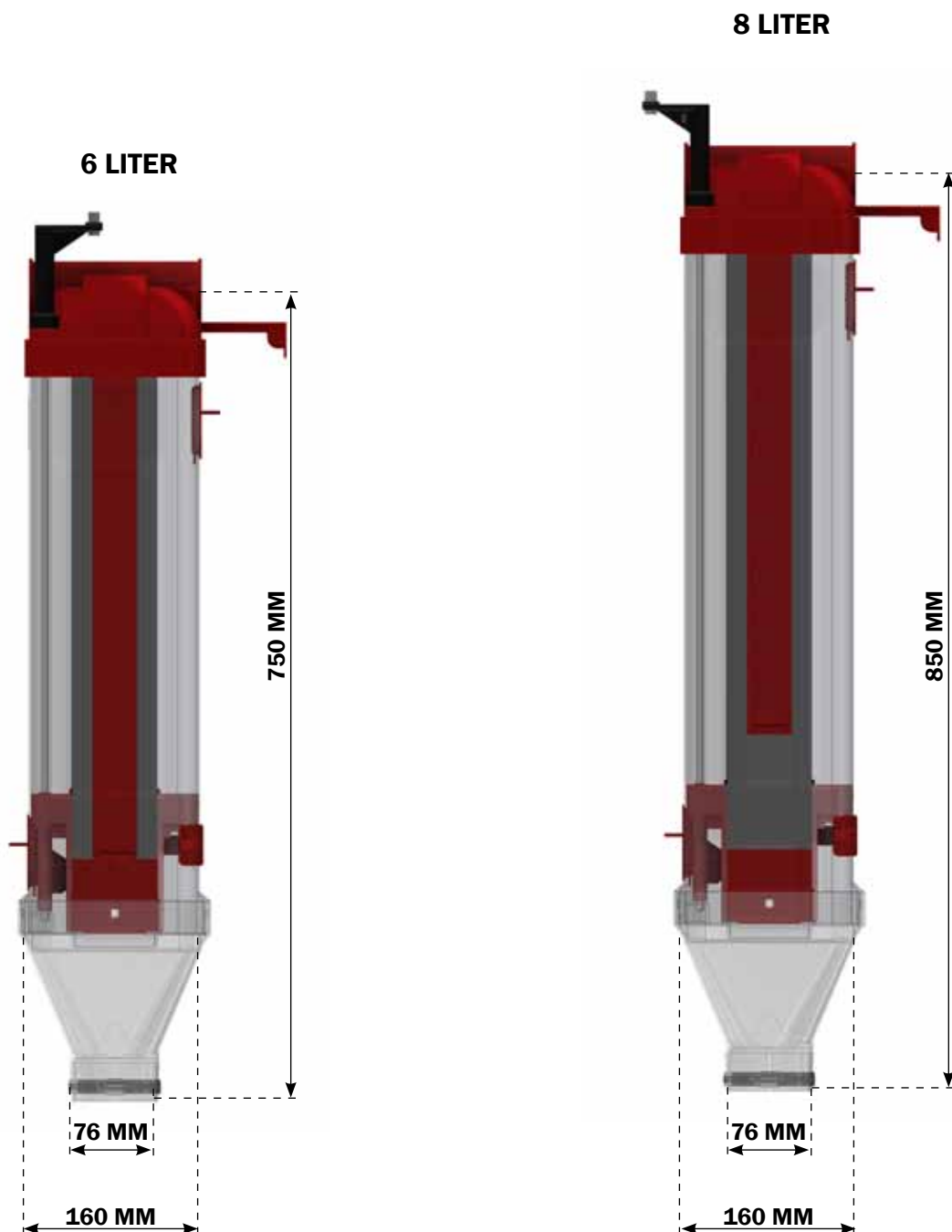
Tel. +45 9711 9600

Fax +45 9711 9677

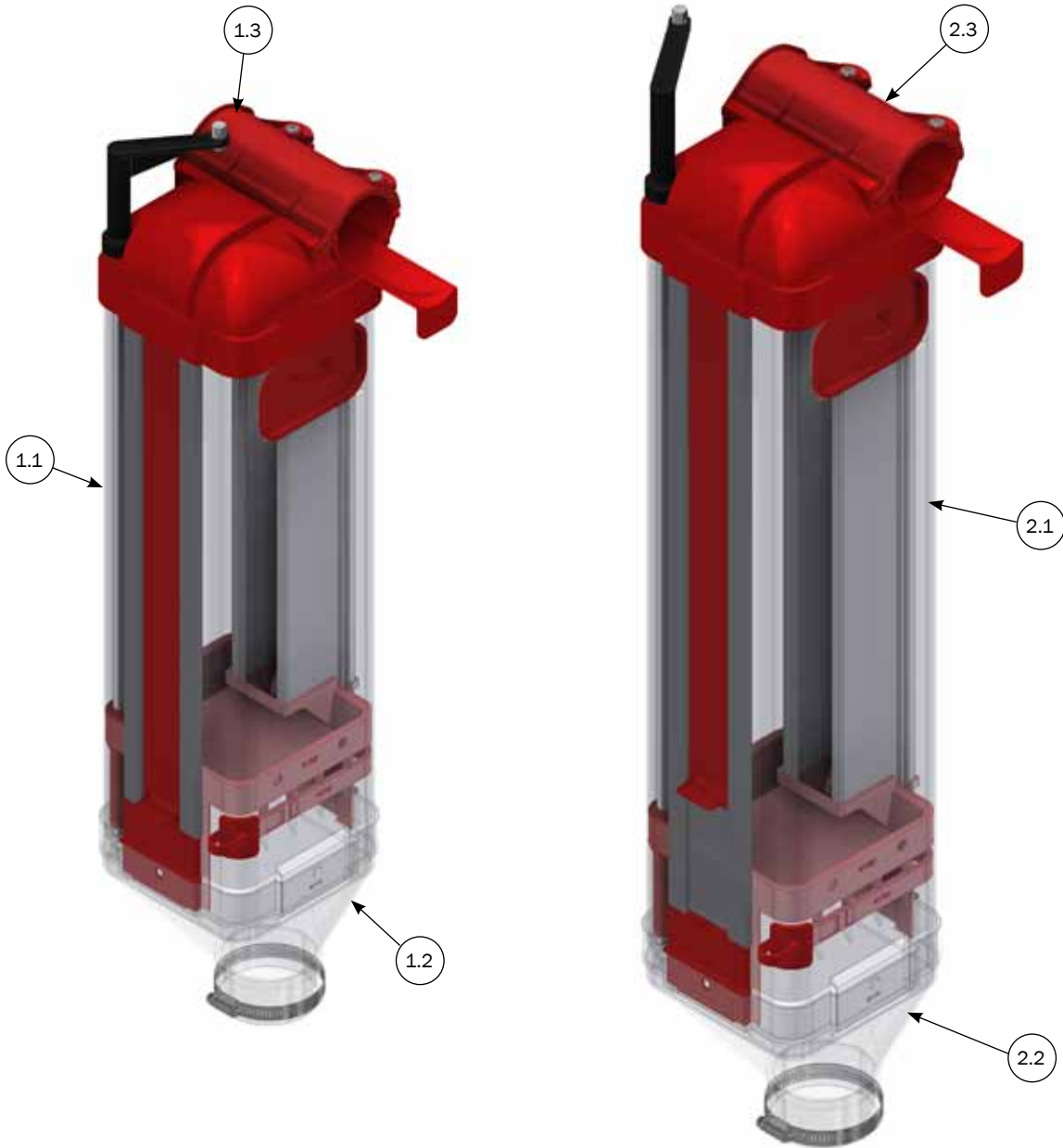
[www.acofunki.com](http://www.acofunki.com)

**DANISH DESIGN | GERMAN QUALITY | GLOBAL EXPERIENCE**

# DIMENSION VD6 Ø60, 6-8 LITER

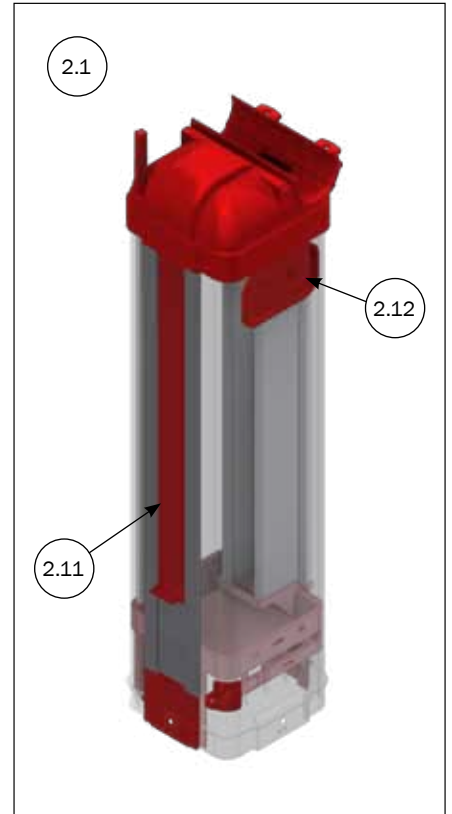
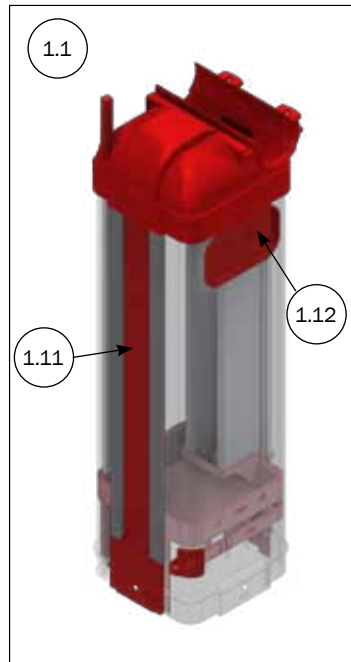
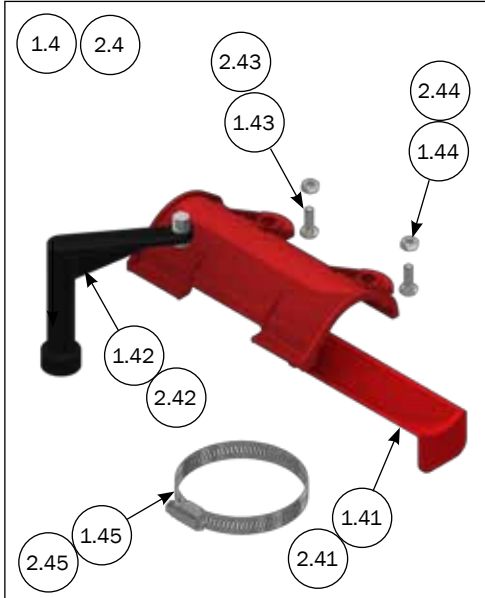


## VD6-Ø60, 6-8 LITER WITH Ø75MM OUTLET



PART LIST			
No	Pcs.	Item No.	Description
1		<b>0222-660</b>	<b>VD6-Ø60, 6 LITER WITH FLAP, Ø75 OUTLET</b>
1.1	1	0222-600	TOP FOR VD6 6 LITER VOLUME DISPENSER
1.2	1	0222-601	BOTTOM FOR VOLUME DISPENSER VD6
1.3	1	0222-602	VD6 ADAPTOR COMPLET Ø60
2		<b>0222-668</b>	<b>VD6-Ø60, 8 LITER WITH FLAP, Ø75 OUTLET</b>
2.1	1	0222-667	TOP FOR VD6 8 LITER VOLUME DISPENSER
2.2	1	0222-601	BOTTOM FOR VOLUME DISPENSER VD6
2.3	1	0222-602	VD6 ADAPTOR COMPLET Ø60

## SPAREPARTS FOR CONTAINER TYPE VD6-Ø60, 6-8 LITER



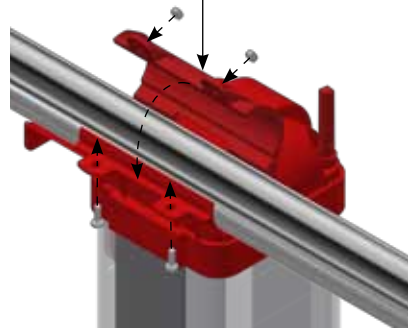
No	Pcs.	Item No.	Description
<b>1</b>		<b>0222-660</b>	<b>VD6-Ø60, 6 LITER WITH FLAP, Ø75 OUTLET</b>
1.1		0222-600	TOP FOR VD6 6 LITER VOLUME DISPENSER
1.11	1	0222-611	SHUTTER VD6 FOR 6 LITER
1.12	1	0222-613	LID FOR VOLUME DISPENSER VD6
1.3	1	0222-601	BOTTOM FOR VOLUME DISPENSER VD6
1.4	1	0222-602	VD6 ADAPTOR COMPLET Ø60
1.41	1	0222-612	VD6 CLOSING SHUTTER FOR Ø75
1.42	1	0222-614	PEG FOR OPENING VD6
1.43	2	30306016	SET SCREW M6X16 A2 DIN 933
1.44	2	33506010	NUT M6 A2 DIN 934
1.45	1	90260	HOSE CLAMP 60-80 MM SS
<b>2</b>		<b>0222-668</b>	<b>VD6-Ø60, 8 LITER WITH FLAP, Ø75 OUTLET</b>
2.1		0222-667	TOP FOR VD6 8 LITER VOLUME DISPENSER
2.11	1	91730	SLIDING SHUTTER FEED DISPENSER 8 L
2.12	1	91734	INSPECTION PLUG FEED DISPENSER
2.3	1	0222-601	BOTTOM FOR VOLUME DISPENSER VD6
2.4	1	0222-602	VD6 ADAPTOR COMPLET Ø60
2.41	1	0222-612	VD6 CLOSING SHUTTER FOR Ø75
2.42	1	0222-614	PEG FOR OPENING VD6
2.43	2	30306016	SET SCREW M6X16 A2 DIN 933
2.44	2	33506010	NUT M6 A2 DIN 934
2.45	1	90260	HOSE CLAMP 60-80 MM SS

# MOUNTING

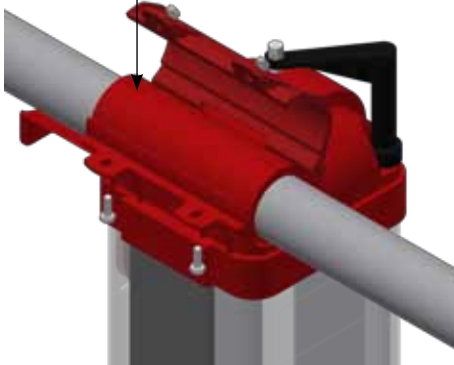
Mounted on Ø60mm Pipe



Mounting of Clamps



Mounted with **Adapter VD2/VD6** for reducer



Mounting of Wire Clamp st



0131-191  
VD2/VD6 CONNECTION FOR Ø38 MM  
CONVEYOR TUBE

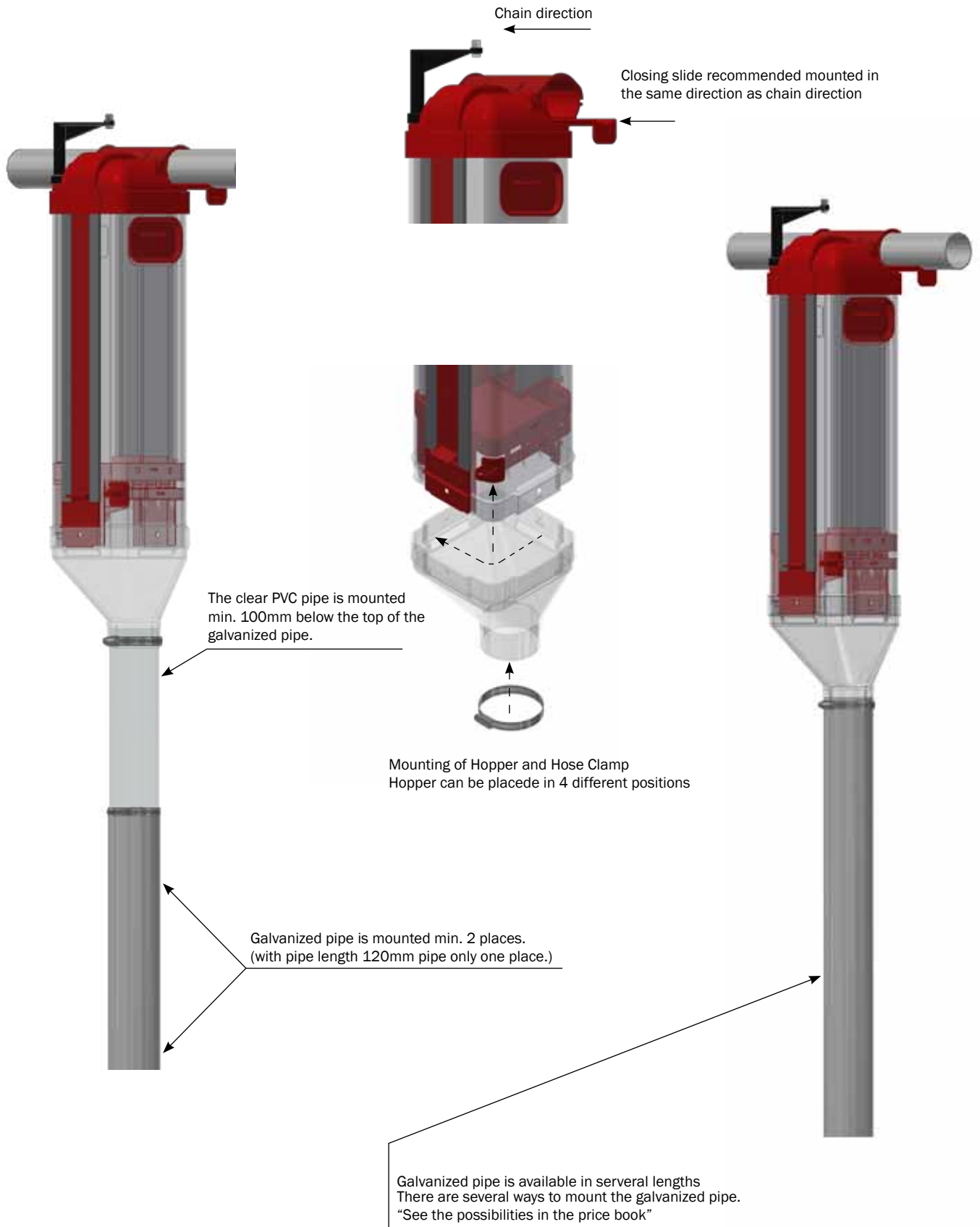


0221-400  
VD2/VD6 CONNECTION FOR Ø50 MM  
CONVEYOR TUBE

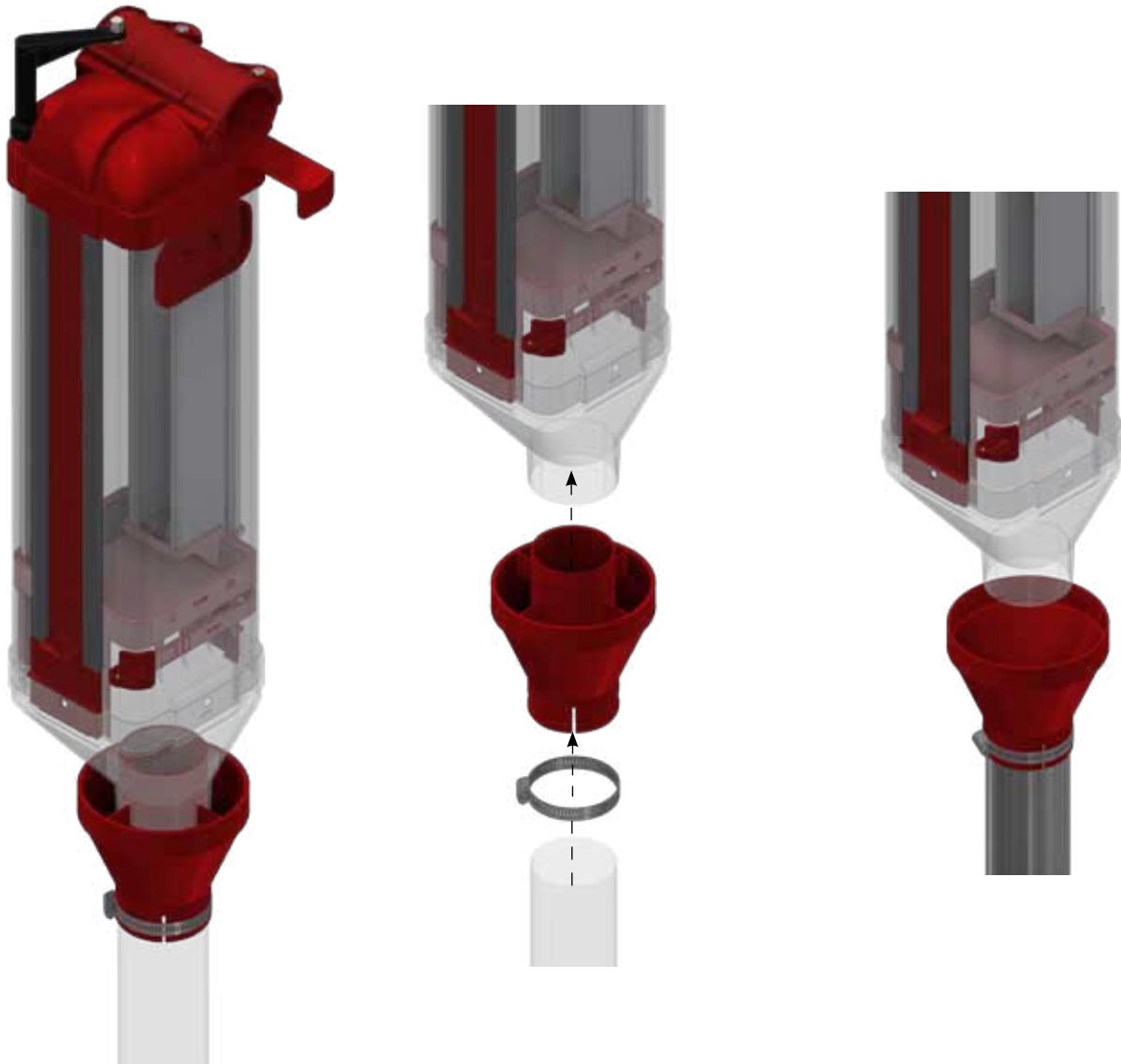


0221-401  
VD2/VD6 CONNECTION FOR Ø55 MM  
CONVEYOR TUBE

## MOUNTED ON DOWN PIPE



## MOUNTING WITH EXTRA HOPPER



91810  
HOPPER WITH INSERT  
FOR 75 MM FEEDPIPE



91813  
HOPPER WITH CLAMP  
FOR 75 MM FEEDPIPE

