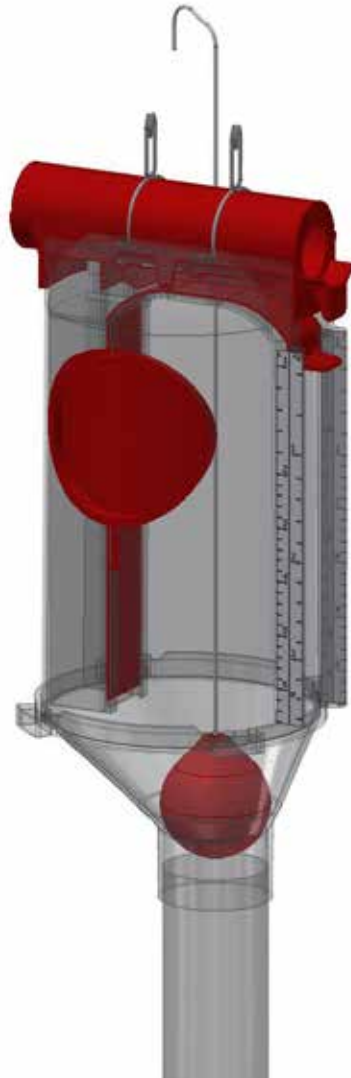


MOUNTING INSTRUCTION



VOLUME DISPENSER TYPE VD5

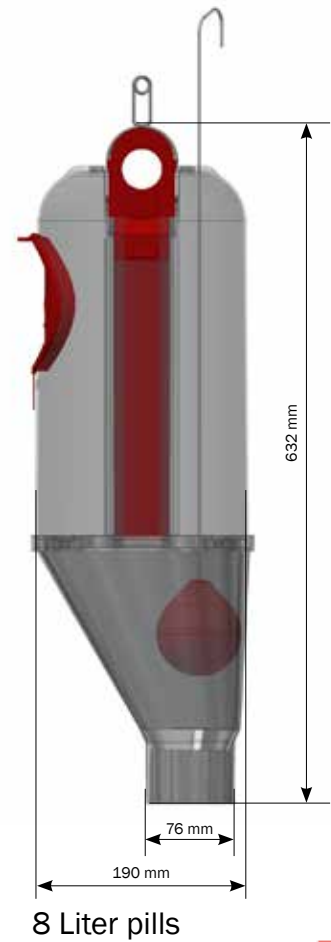
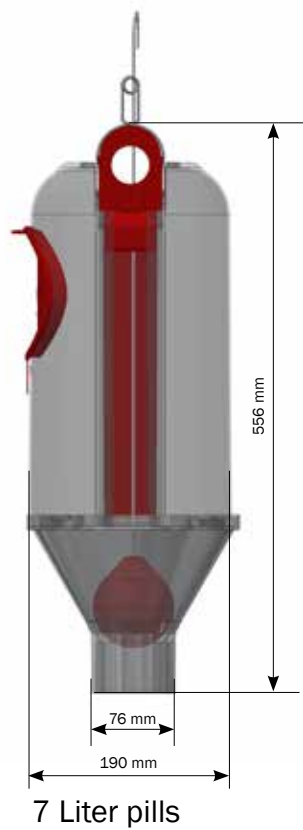
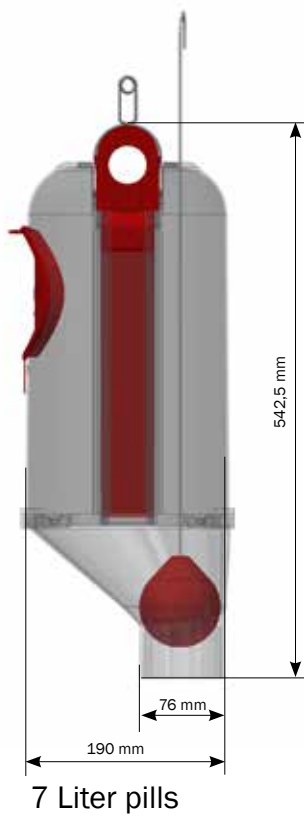
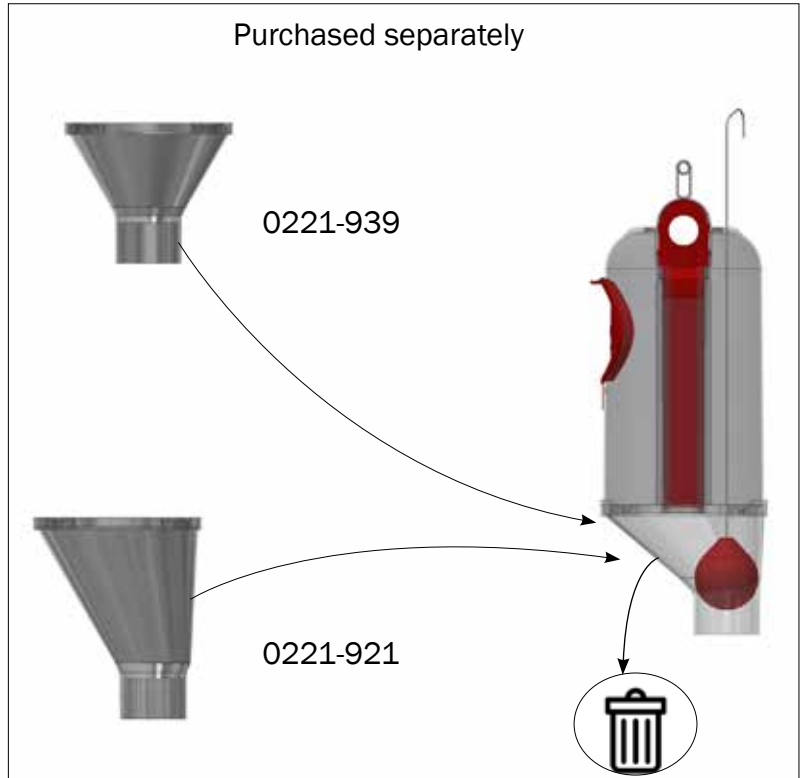
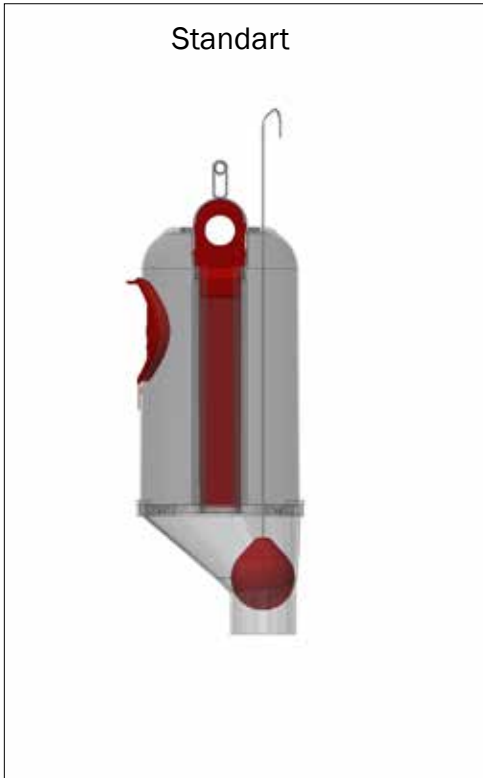
Mounting on Ø38, Ø50, Ø55, Ø60 and Ø75



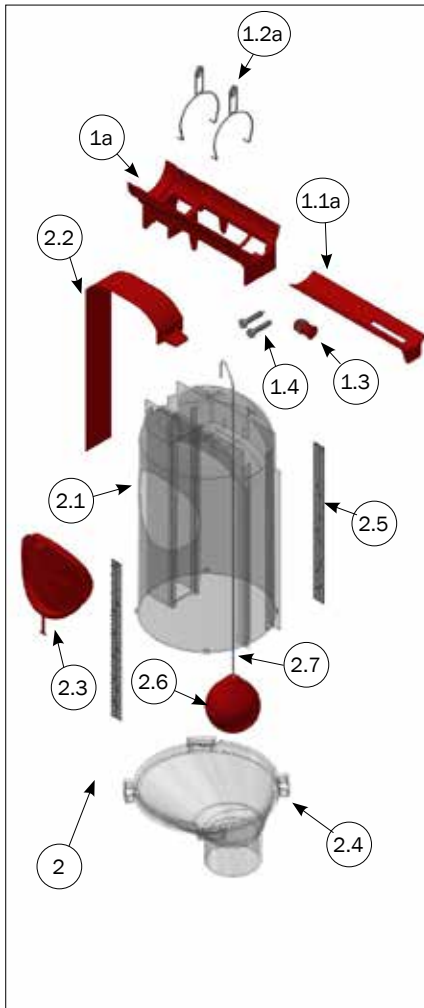
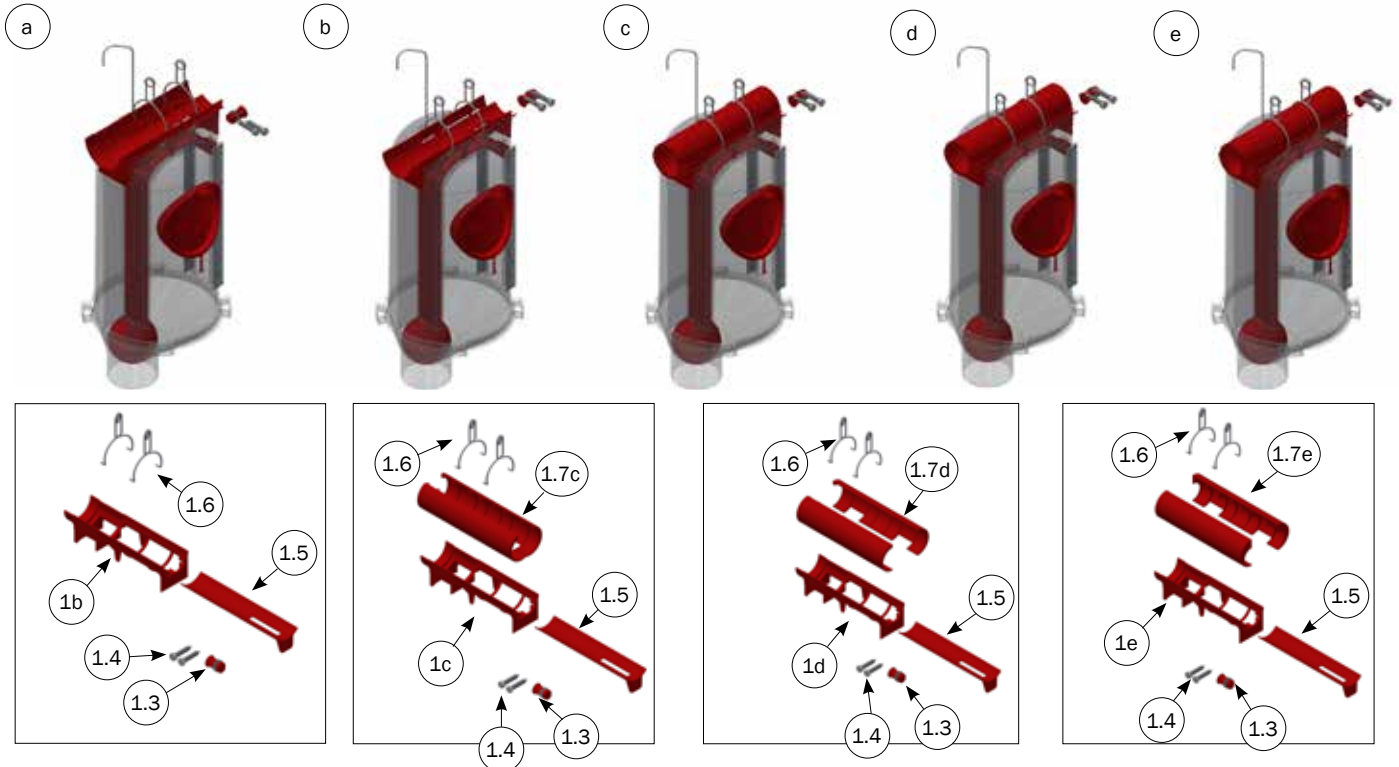
ACO FUNKI A/S
Kirkevænget 5
DK-7400 Herning

Tel. +45 9711 9600
www.acofunki.com
www.egebjerg.com

DIMENSION VD5

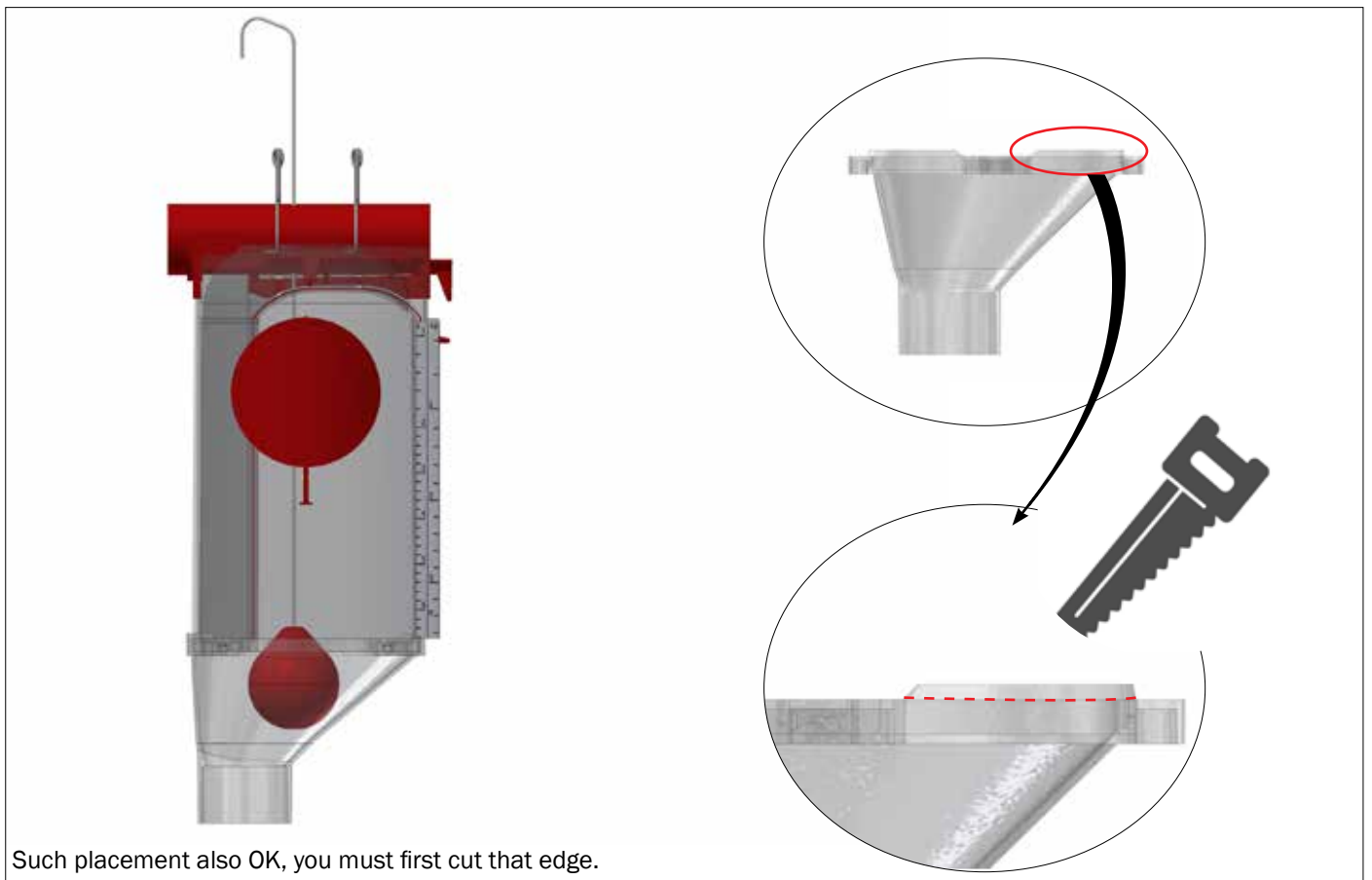
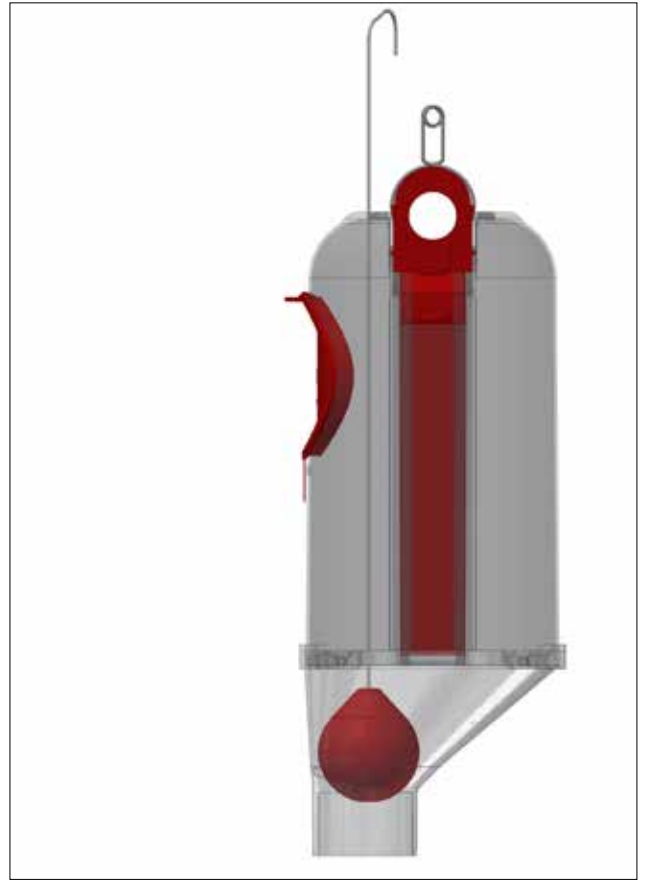
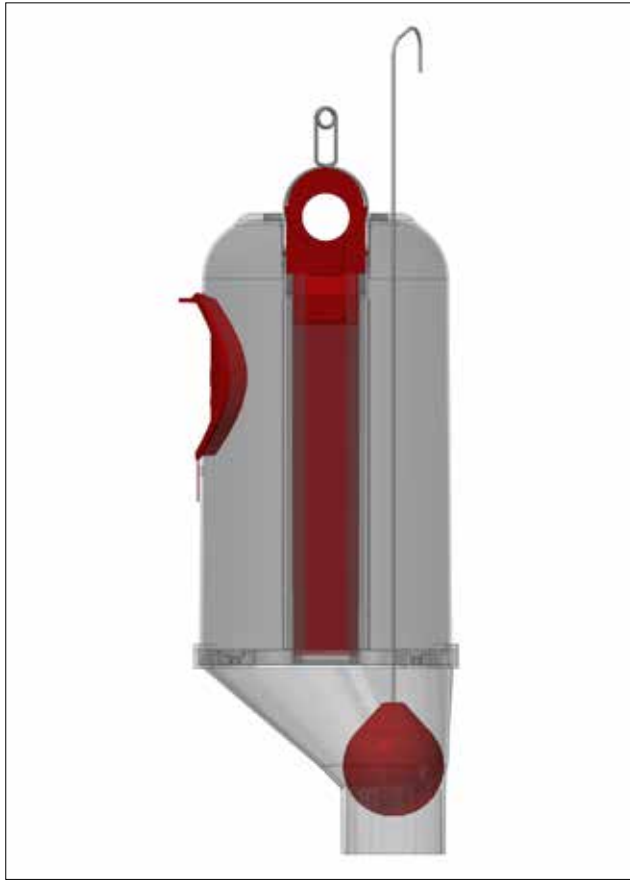


OVERVIEW AND SPARE PARTS



VOLUME DISPENSER 5			
	Article nr.	Description	Pcs.
a	0221-981	VD5 Ø75 7 LITER	
b	0221-982	VD5 Ø60 7 LITER	
c	0221-983	VD5 Ø55 7 LITER	
d	0221-984	VD5 Ø50 7 LITER	
e	0221-985	VD5 Ø38 7 LITER	
1a	0221-901	VD5 ADAPTOR COMPLETE Ø75	1
1.1a	0221-941	VD5 CLOSING SHUTTER FOR Ø75	1
1.2a	0221-942	VD5 SPRING Ø75	2
1b	0221-902	VD5 ADAPTOR COMPLETE Ø60	1
1c	0221-902	VD5 ADAPTOR COMPLETE Ø60	1
1d	0221-902	VD5 ADAPTOR COMPLETE Ø60	1
1e	0221-902	VD5 ADAPTOR COMPLETE Ø60	1
1.3	0221-970	WIRE LOCK PVC FOR VD5 VER.2	1
1.4	34900040	SELF DRILLING SCREW ST 4,2X16 BZP DIN 7504N	2
1.5	0221-944	VD5 CLOSING SHUTTER FOR Ø60	1
1.6	0221-945	VD5 SPRING Ø60	2
1.7c	0131-185	ADAPTOR FOR VD5 AND VD6 Ø60/Ø55	1
1.7d	0131-184	ADAPTOR FOR VD5 AND VD6 Ø60/Ø50	2
1.7e	0131-183	ADAPTOR FOR VD5 AND VD6 Ø60/Ø38	2
2	0221-975	VD5 VOLUME DISPENSER 7 LITER	1
2.1	0221-920	TOP FOR VOLUME DISPENSER VD5	1
2.2	0221-923	SHUTTER VD5	1
2.3	0221-922	LID FOR VOLUME DISPENSER VD5	1
2.4	0221-980	BOTTOM FOR VOLUME DISPENSER VD5, LOW	1
2.5	0221-992	VD5 SCALA LABEL, LITER/KILO FOR CENTRAL FUNNEL	2
2.6	0221-930	VD5 BALL COMPLETE	1
2.7	0221-933	WIRE FOR BALL VD5	1

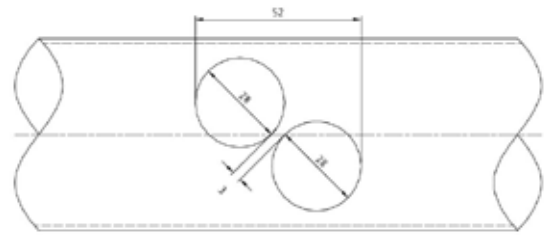
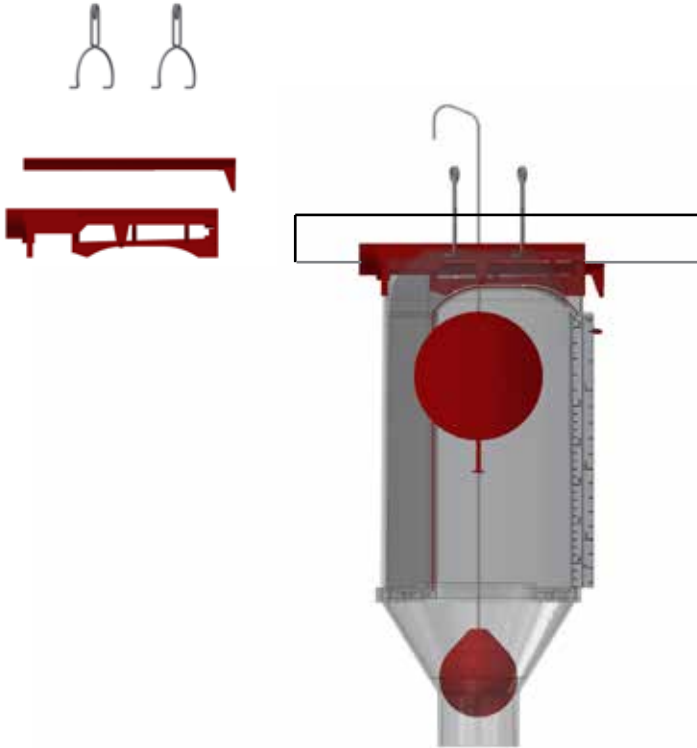
MOUNTING THE FUNNEL



Such placement also OK, you must first cut that edge.

MOUNTING THE VOLUME DISPENSER

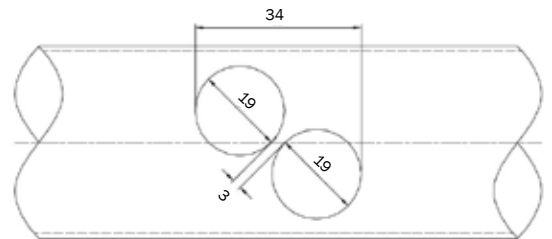
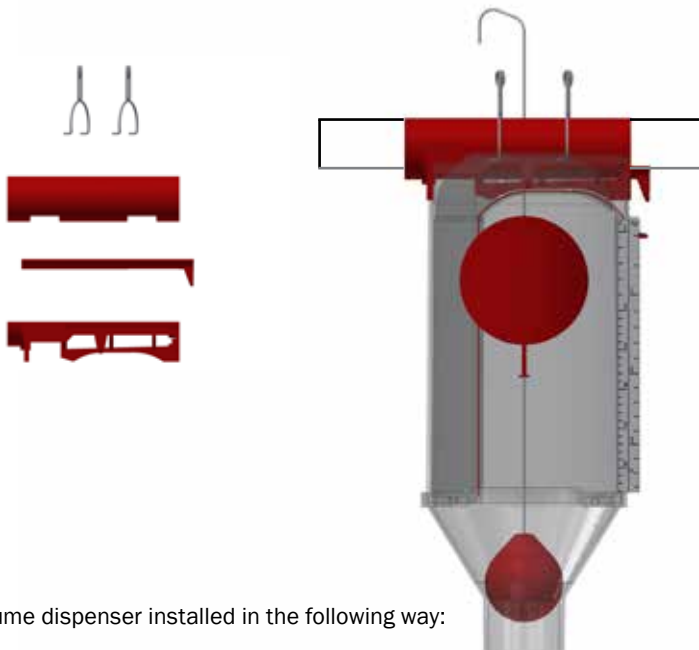
Mounting on Ø60/Ø75



First make the placement of the dispenser on the tubes. For optimum transport duct emptying, two Ø28 mm holes should be drilled at every outlet. The holes should be staggered in relation to one another.

Volume dispenser mounted on the transport pipe Ø60 and Ø75MM plants. Please note that expired holes on the transport tube fits with the inlet of the volume of doses.

Mounting on Ø38/Ø50/Ø55



Volume dispenser mounted on the transport tube with transition kit Ø38 and Ø50mm system. For optimum transport duct emptying, two Ø19 mm holes should be drilled at every outlet. The holes should be staggered in relation to one another.

Please note that outlet holes on the transport tube fits with the inlet of the volume dispensers.

Volume dispenser installed in the following way:

Adapter is clicked on the VD5.

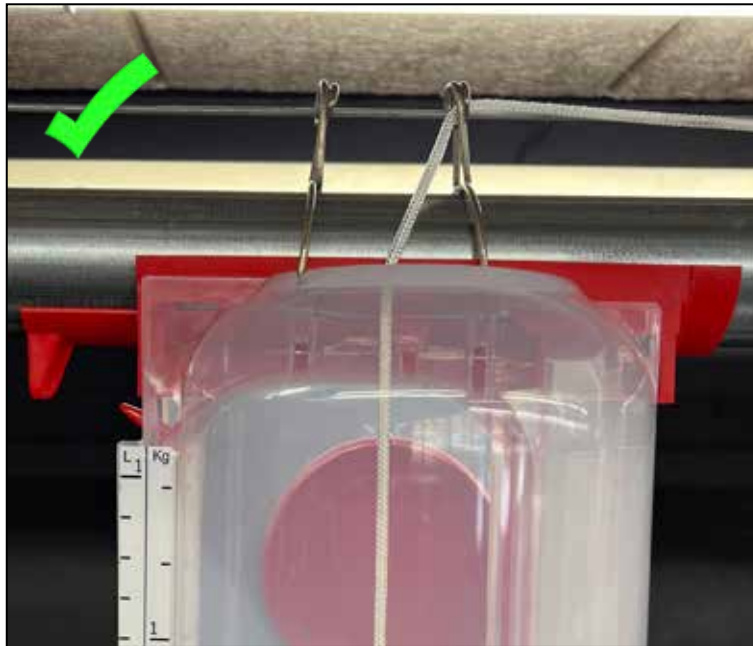
The closing shutter is placed in the adapter.

Transition kit is mounted on the transport tube.

The springs is placed in the hole furthest away from you. Draw spring toward you until it is installed correctly.

Springs are mounted without tools.

CORRECT MOUNTING OF STRING

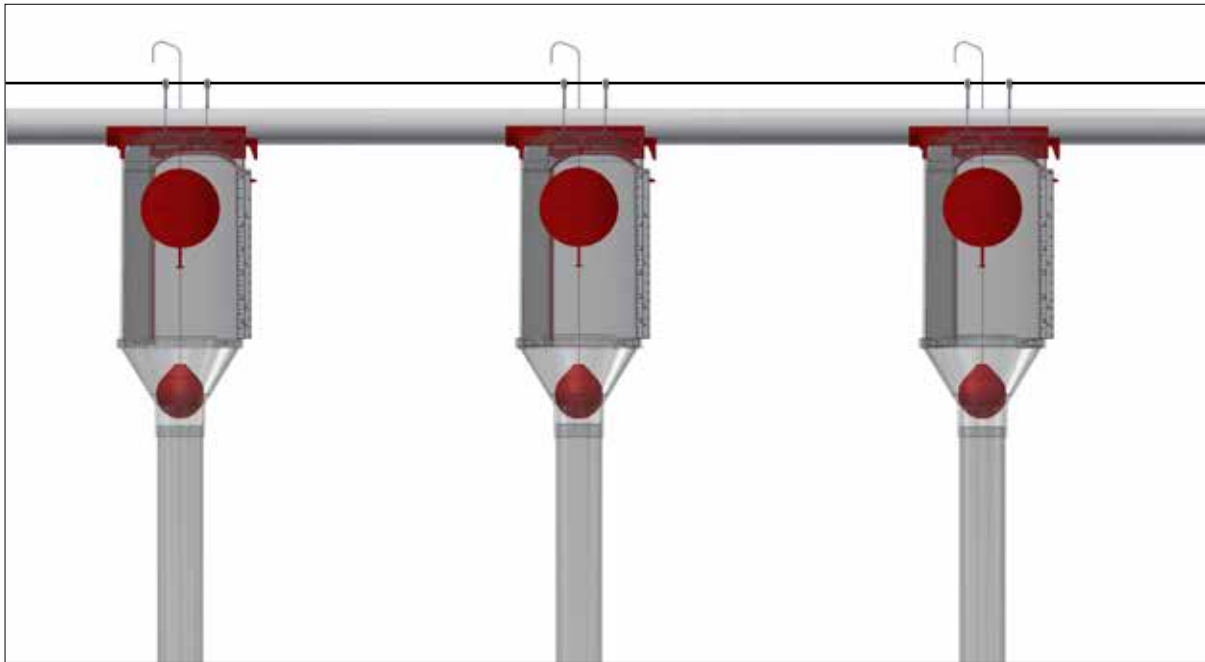


Pull direction

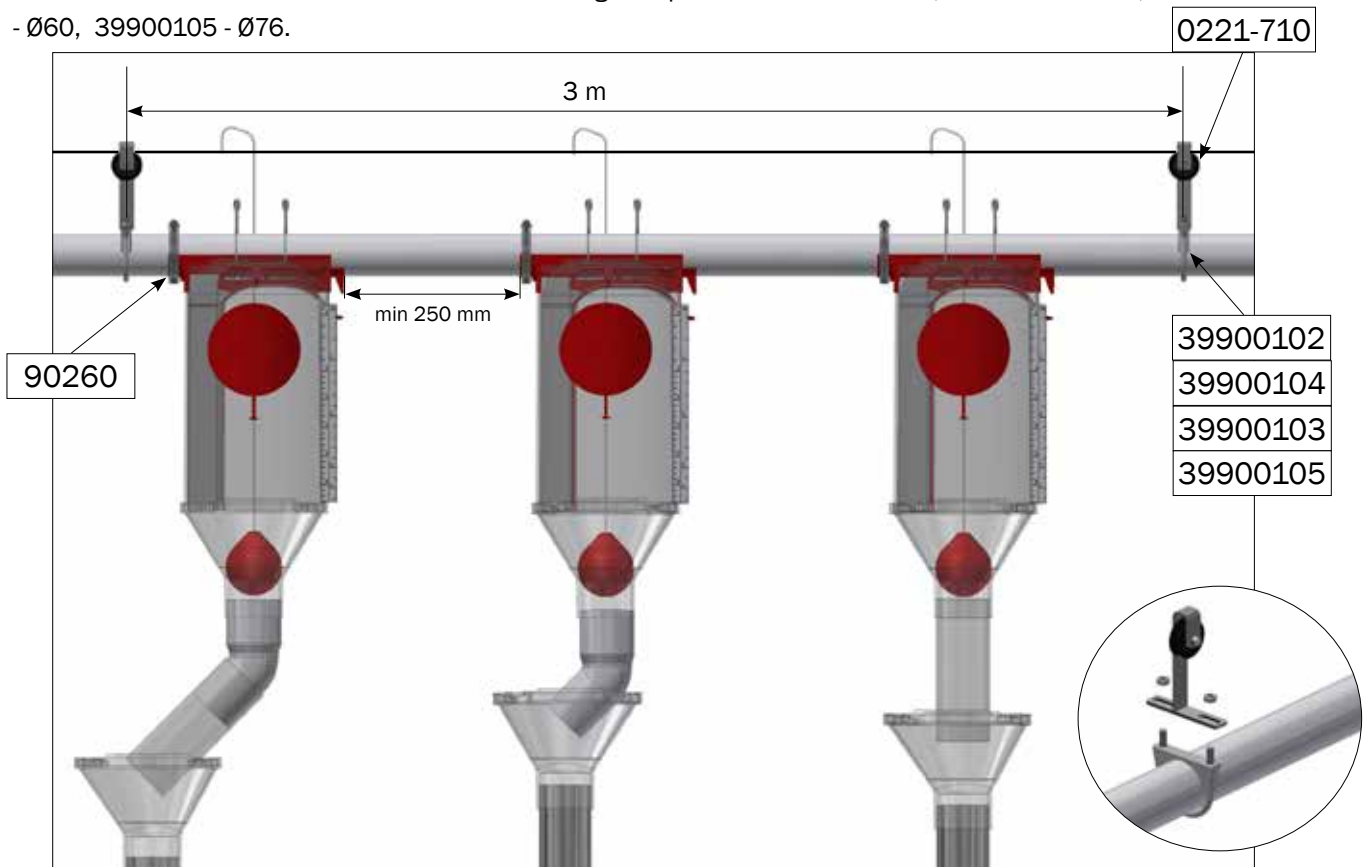


POSSIBILITY FOR PLACEMENT OF VOLUME DOSES

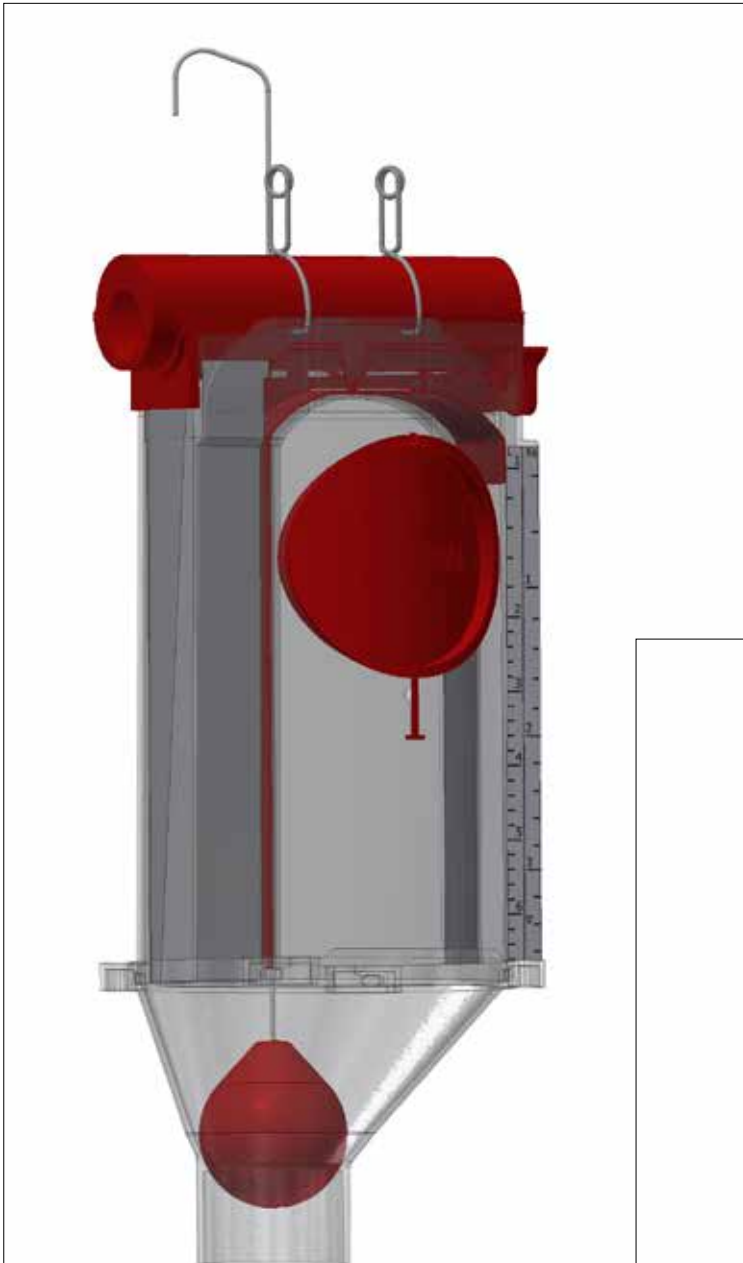
- For single food containers, volume doses are placed at a distance. Piano wire goes through the eye in the spring.



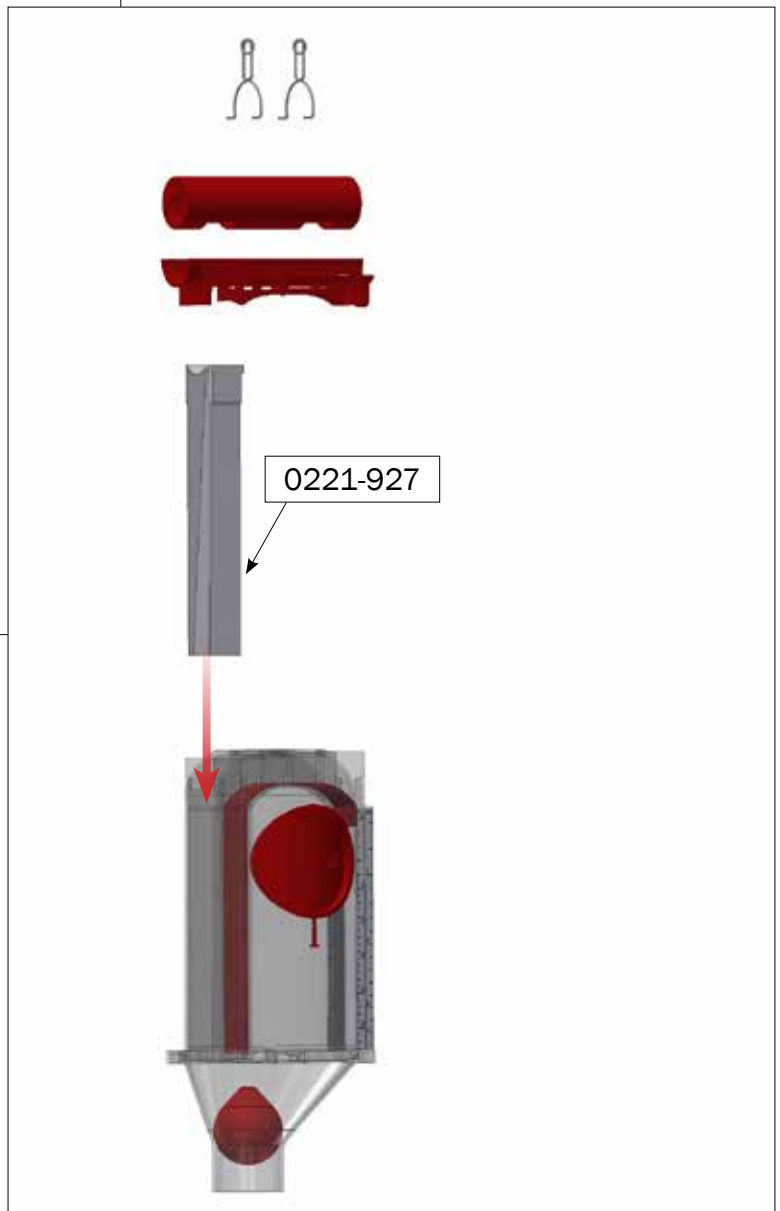
- In the case of double feeding boxes, volume doses are placed close to each other, piano wire lies over the spring.
- When placing piano wire like this, a wire extension 0221-710 must be used every 3 m, to prevent the wire from becoming slack.
- If the volume dispensers are not fixed on the downpipe, clamping band 90260 must be used.
- The wire elevation is mounted on the feed tube using clamps set 39900102 - Ø38, 39900104 - Ø50, 39900103 - Ø60, 39900105 - Ø76.



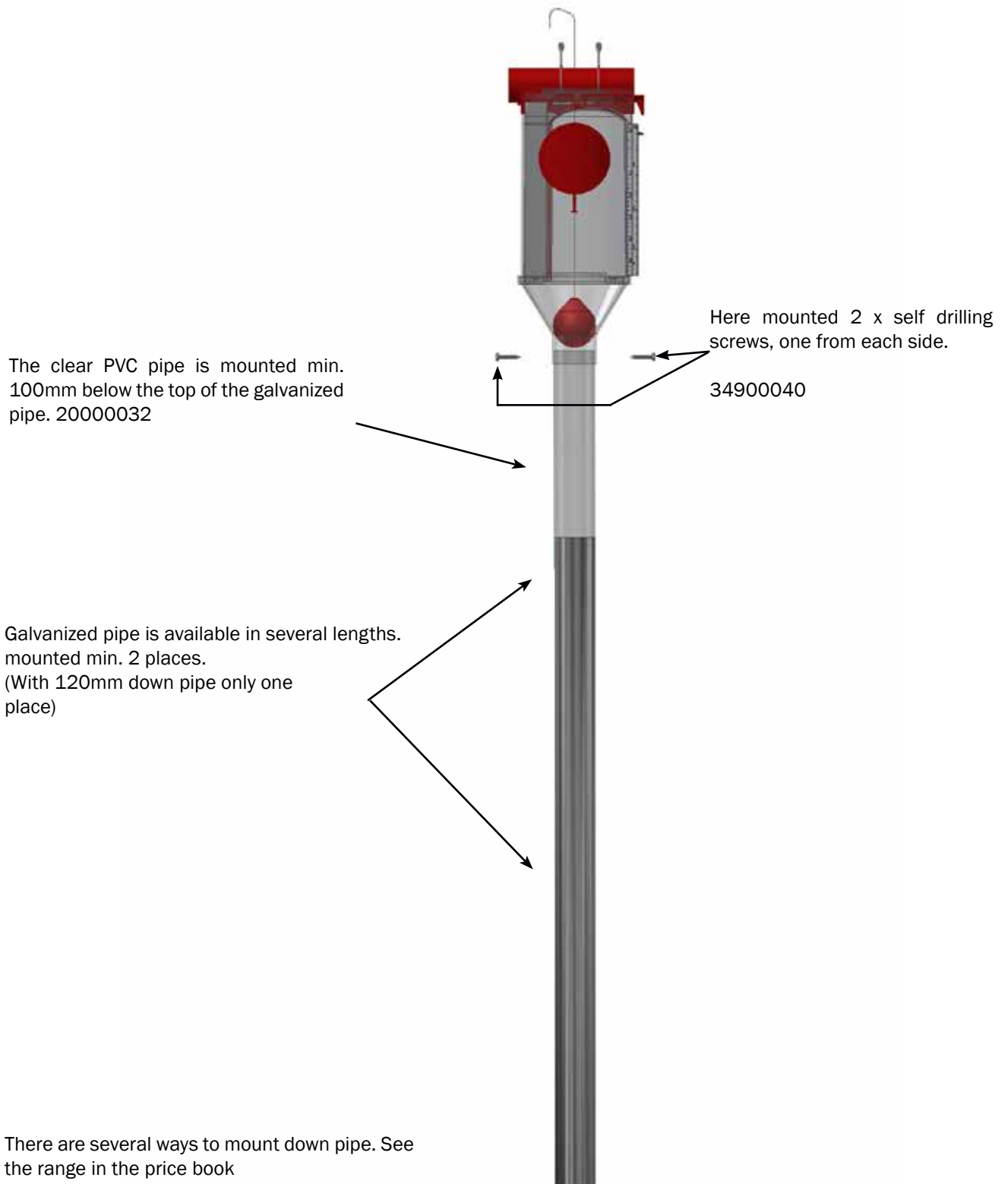
REDUCER INLET



0221-927- VD5 reducer inlet, reduce feed by 0.45 L.



INSTALLATION OF DOWN PIPE

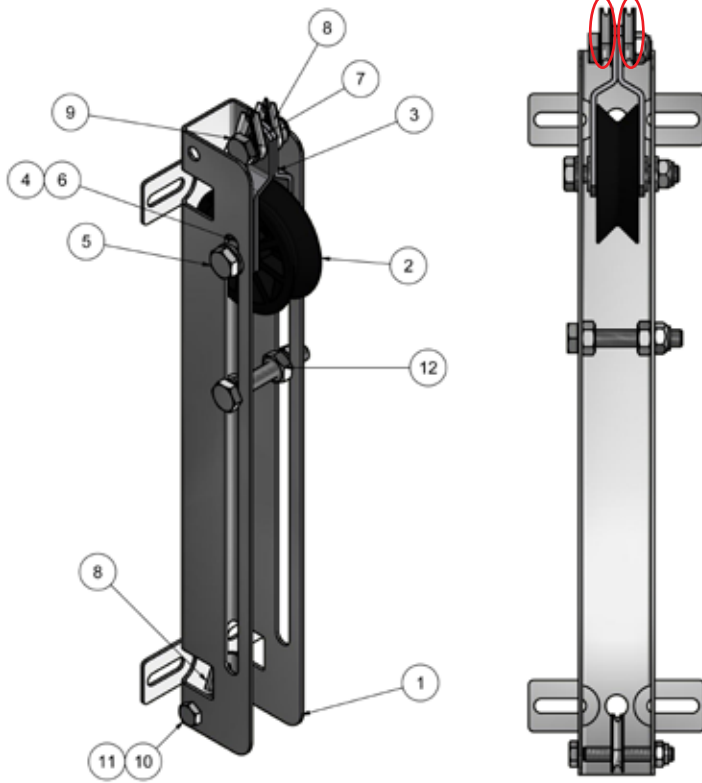


INSTALLATION OF THE RELEASE SYSTEM

Mounting on wall:

For mounting of 2 wires on 1 release system, it is necessary to mount 2 pcs. thimble (nr. 8), as shown on the drawing:

For having 1 wire on 1 release system, mount it in the middle on the forkpart for wirewheel (nr. 3), as shown on the photo:



Release length is determined by the location of the stop screw.

Recommend length is between 18 and 27 cm.

PARTS LIST

	Article nr.	Description	Pcs.
1	0221-971	GUIDING RAIL FOR RELEASE SYSTEM	1
2	0155-104	PULLEY WHEEL PLASTIC	1
3	0156-104	BASIC FITTING TYPE S	2
4	0156-105	BUSHING Ø17/12X25	1
5	30310060	SET SCREW M10X60 A2 DIN 933	2
6	35600038	FLAT WASHER Ø10.5X20X2 MM A2 DIN 125A	4
7	33910017	LOCK NUT M10 BZP DIN 985	3
8	39402500	THIMBLE 4 MM	3
9	30310030	SET SCREW M10X30 A2 DIN 933	1
10	30308055	SET SCREW M8X55 A2 DIN 933	1
11	33908001	LOCK NUT M8 A2 DIN 985 WAXED	1
12	33510017	NUT M10 A2 DIN 934 WAXED	2

Mounting on feeding pipe:



INSTALLATION OF THE RELEASE SYSTEM



A tension spring should be fitted for each row in order to keep the release system straight.

No. 0221-366 Screw eye set

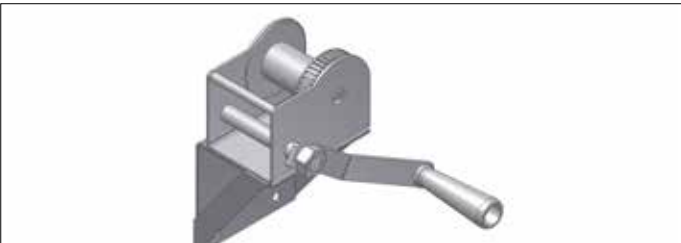


Joints between wire and spring wire, use.

No. 0221-970 Wire lock 4 pcs.

No. 09000017 Steel wire Ø3 0,5 m

No. 39402500 Thimble 4 pcs.



The hand winch should be mounted on a wall and is used to open/close the volume dispensers.

No. 0152-017 Hand winch



Linak actuator for automatic release of Volume dispenser is mounted on feed pipes or wall.

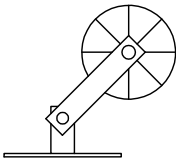
See price book for further products.

Tensioning and adjusting the release system

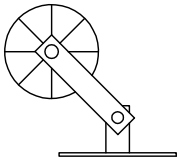
1. To reduce strain in the release system, it is recommended that the distance between hand winch and tension springs is as short as possible. This can be ensured by installing a communal main wire and attaching subsidiary wires for individual rows (see layout examples).
2. As the wire stretches when subjected to load, wire should only be used around of pulleys and hand winches. For straight stretches, galvanised spring wire should be used.
3. A tension spring should be installed for each row in order to keep the release system taut.
4. On each row the balls on the volume dispensers should be fitted unequal to prevent simultaneous opening.

RELEASE SYSTEM

Key to symbols



No. 0156-008 Pulley and bracket type G+T



No. 0156-008 Pulley and bracket type G+T



No. 92386 Bracket for displacement of wire 60 mm



No. 0156-006 Pulley and bracket type G+R/L



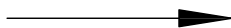
No. 0152-017 Hand winch complete 500 kg



Nr. 0153-467 LA36 length of stroke 250mm



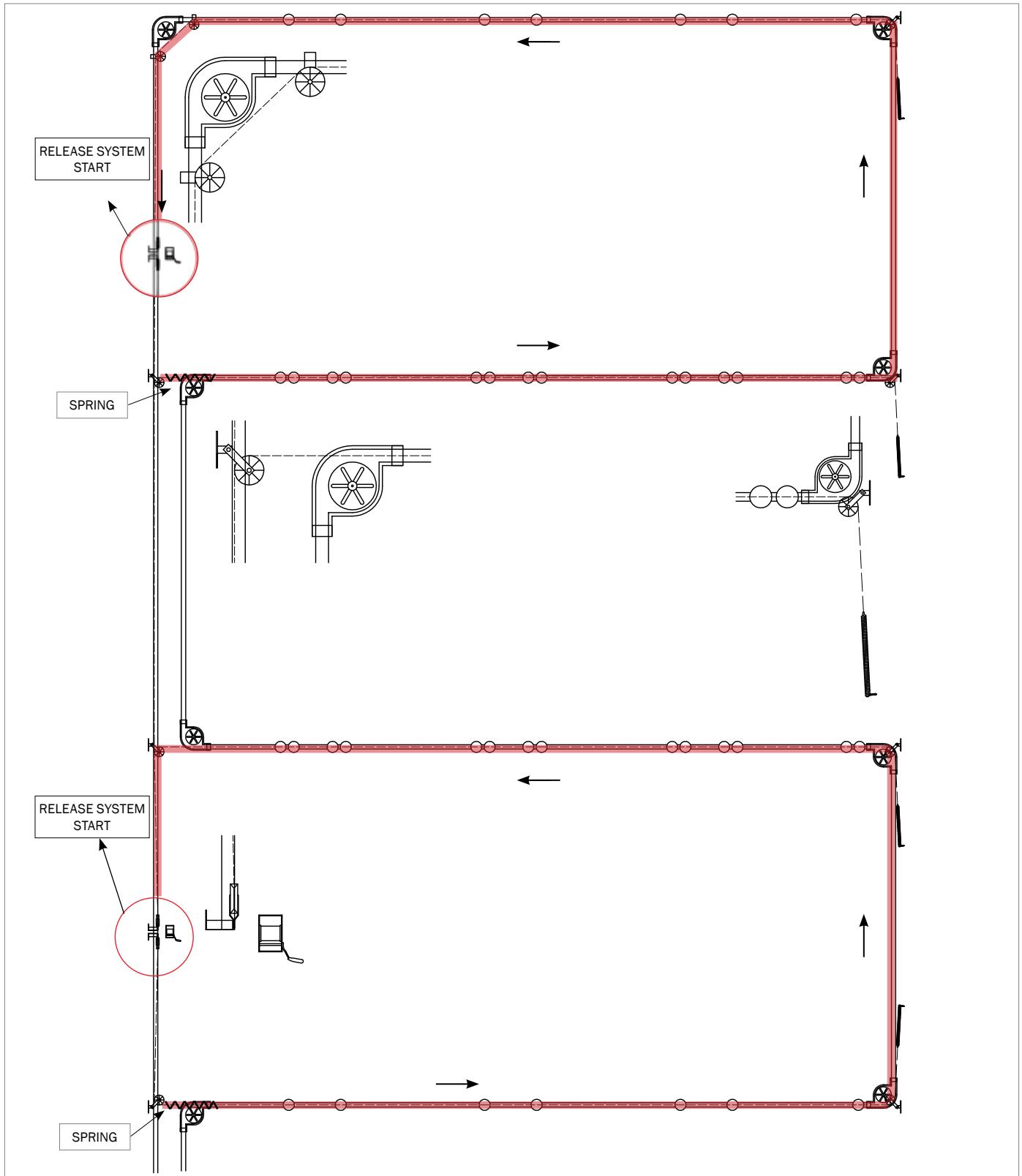
No. 0221-366 Screw eye set



Direction in which the release system wire is pulled to open the volume dispensers..

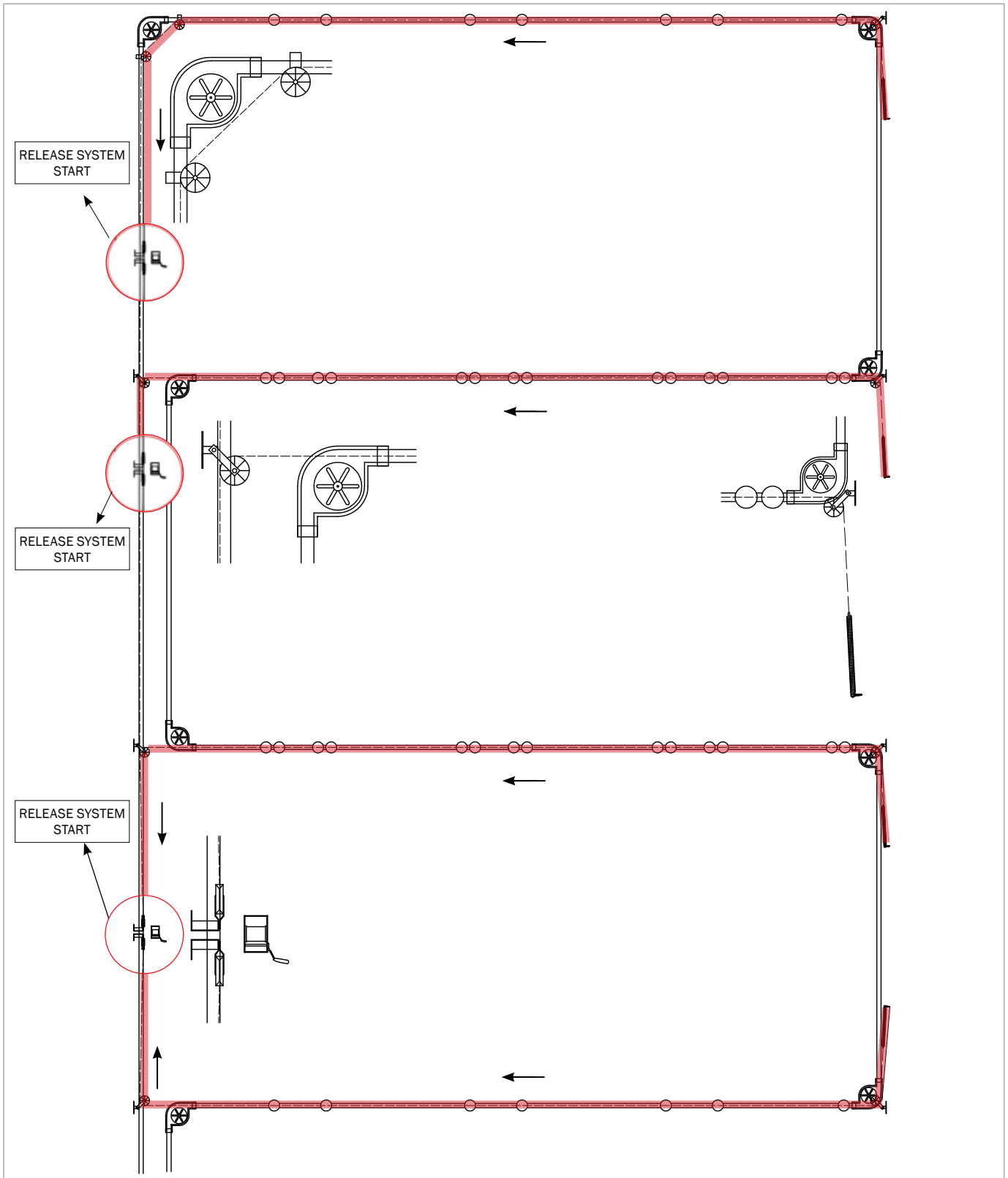
RELEASE SYSTEM LAYOUT

Example 2



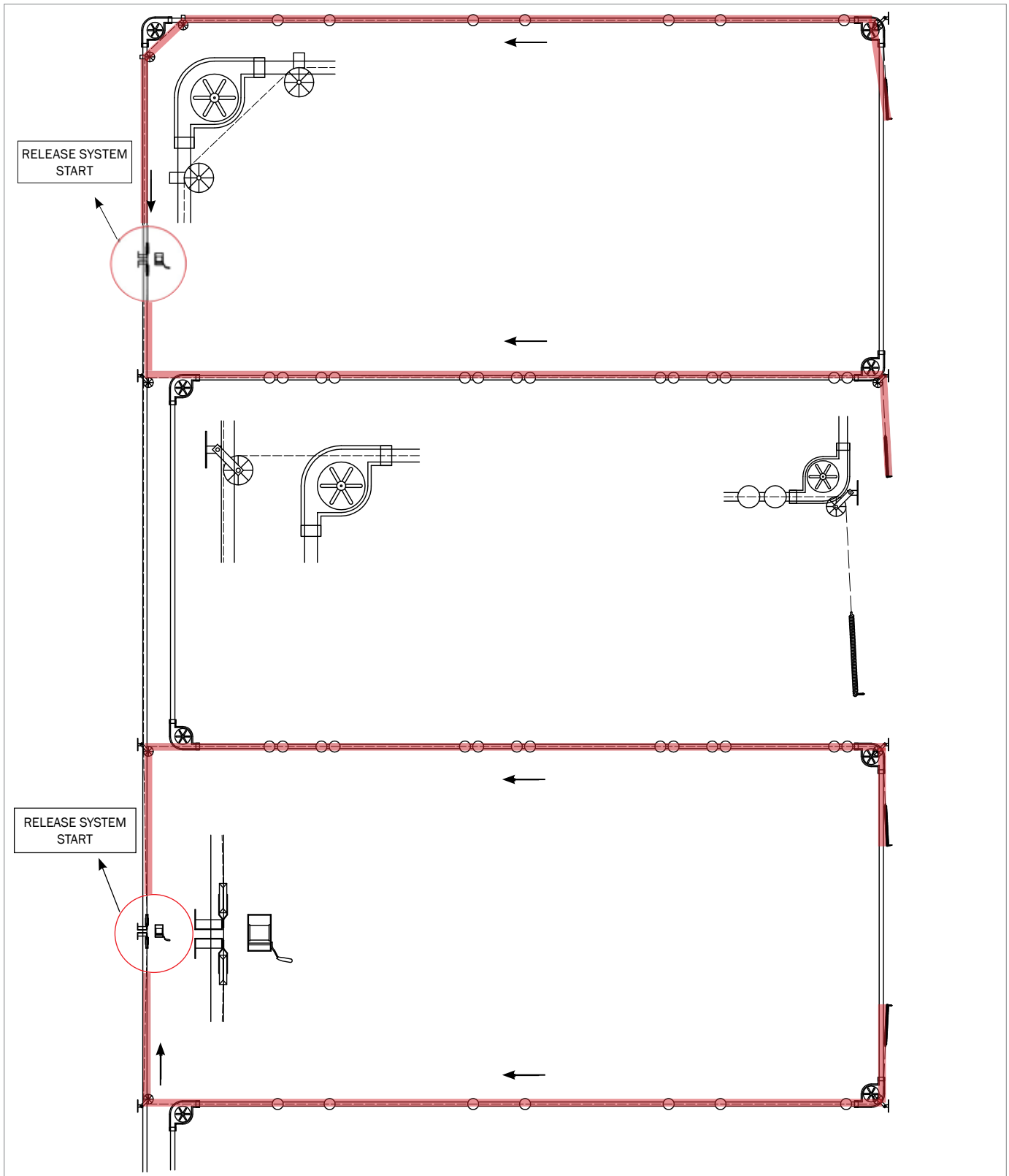
RELEASE SYSTEM LAYOUT

Example 3

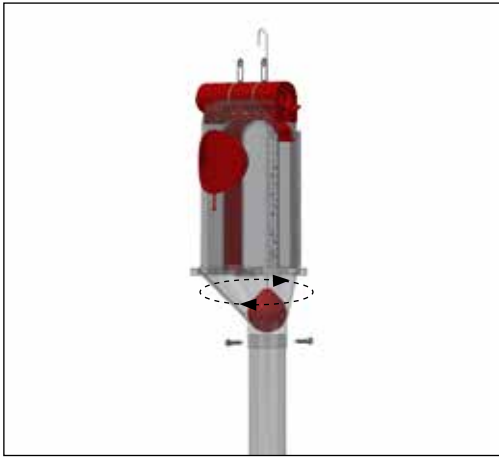


RELEASE SYSTEM LAYOUT

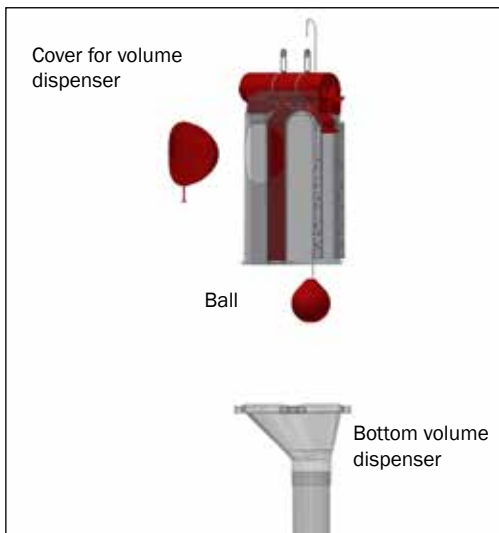
Example 3



RELEASE SYSTEM MOUNTING



It is important to dry out VD5 properly after washing, to prevent caking.



Open volume dispenser and leave the ball hanging so the water can run out.

For the faster drying, take out cover for volume dispenser and open the bottom of the volume dispenser.*

* The bottom of the volume dispenser (hopper) can only be opened if it is mounted on the transparent tube \varnothing 80 cm.