

ASSEMBLY INSTRUCTION



Manual opening system
for VD2 and VD6 feed dispensers



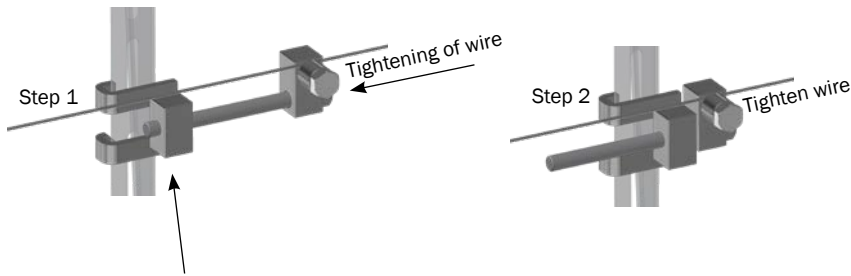
ACO FUNKI A/S
Kirkevænget 5
DK-7400 Herning

Tel. +45 9711 9600
www.acofunki.com
www.egebjerg.com

OPENING SYSTEM FOR SINGLE ROW WIRE / SPRING / HANDLE MOUNTED ON WALL

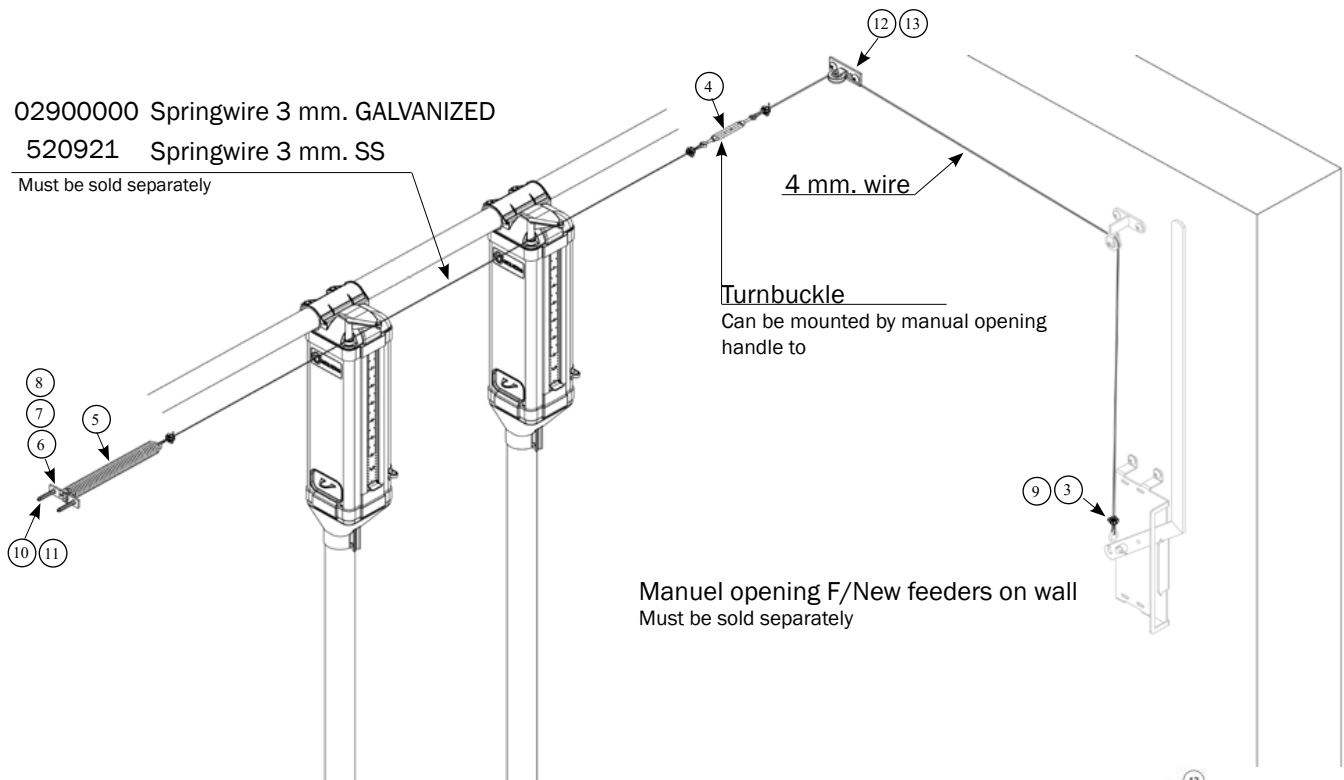
Part № 92390

Spring
Opens up to 80 dispensers
Springpreload 10 -20 mm



0155-227 Clamping tools for release system.
Is used for tighten up the wire.
Repeat if necessary.
Secure lengthwise of the wire.
Is sold separately.

02900000 Springwire 3 mm. GALVANIZED
520921 Springwire 3 mm. SS
Must be sold separately

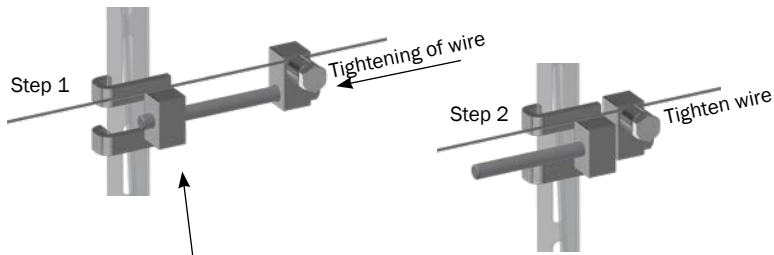


PARTS LIST			
NO.	PCS.	ITEM NO.	DESCRIPTION
2	5	92536	WIRE 4 MM 7 X 19 SS
3	4	0591-174	WIRE LOCK 5 MM ST
4	1	0591-171	TURN BUCKLE 8 MM ST
5	1	9929032	TENSION SPRING 3X20X200MM HOT DIP GALVANIZED
6	1	92580	WALL BRACKET FOR STAY TIGHTENER
7	1	33506010	NUT M6 A2 DIN 934
8	1	30306040	SET SCREW M6X40 STAINLESS
9	4	39402500	THIMBLE 4 MM
10	4	39900001	WALL PLUG 12X60 MM
11	4	67444	M10 X 70 BUTTON HEAD TORX 50STAINLESS STEEL
12	1	0156-004	PULLEY WHEEL TYPE G
13	1	0156-003	BASIC FITTING TYPE T



OPENING SYSTEM FOR SINGLE ROW WIRE / SPRING / HANDLE MOUNTED ON WALL

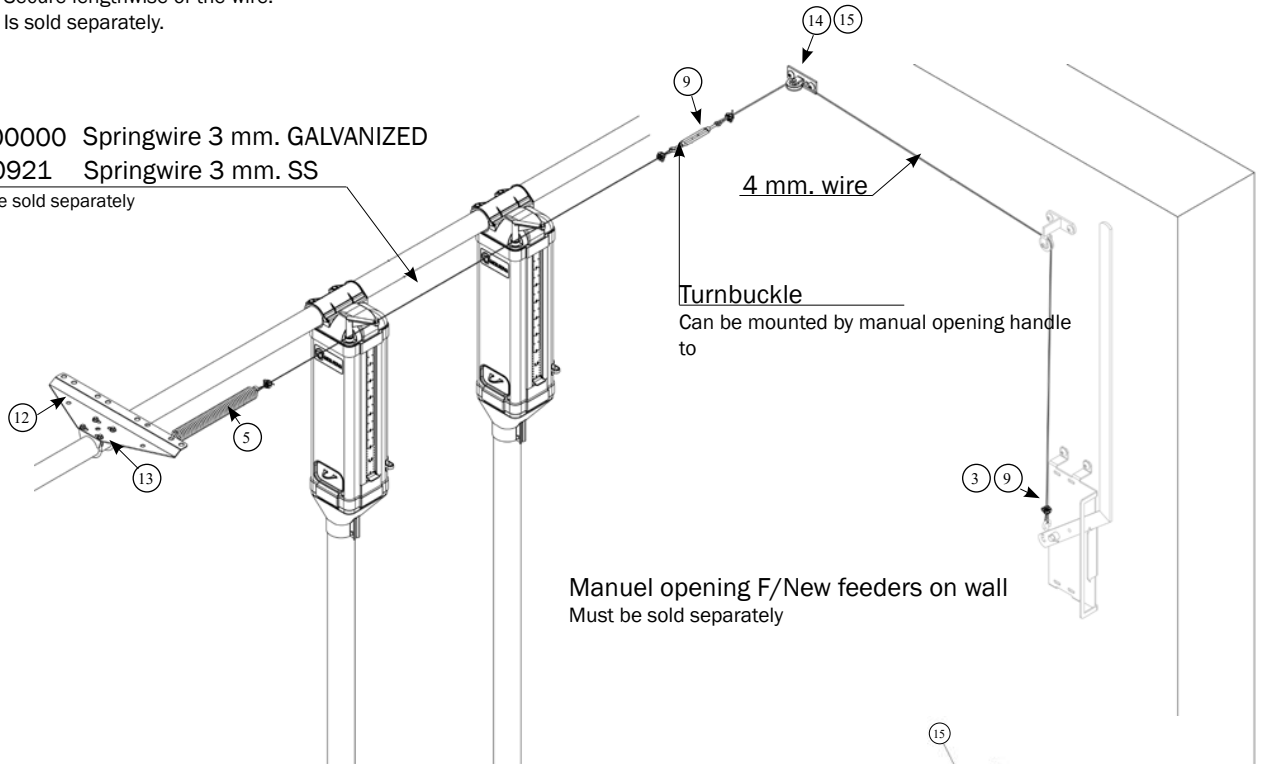
Part № 92391



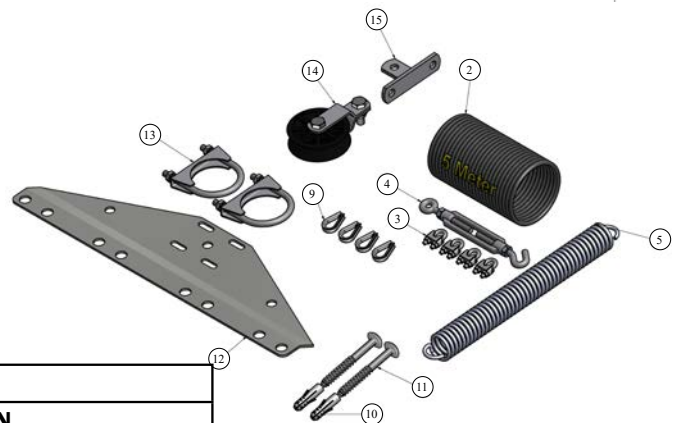
0155-227 Clamping tools for release system.
Is used for tighten up the wire.
Repeat if necessary.
Secure lengthwise of the wire.
Is sold separately.

Spring
Opens up to 80 dispensers
Springpreload 10 -20 mm

02900000 Springwire 3 mm. GALVANIZED
520921 Springwire 3 mm. SS
Must be sold separately



Manuel opening F/New feeders on wall
Must be sold separately



PARTS LIST			
NO.	PCS.	ITEM NO.	DESCRIPTION
2	5	92536	WIRE 4 MM 7 X 19 SS
3	4	0591-174	WIRE LOCK 5 MM ST
4	1	0591-171	TURN BUCKLE 8 MM ST
5	1	9929032	TENSION SPRING 3X20X200MM HOT DIP GALVANIZED
9	4	39402500	THIMBLE 4 MM
10	2	39900001	WALL PLUG 12X60 MM
11	2	67444	M10 X 70 BUTTON HEAD TORX 50STAINLESS STEEL
12	1	92384	FEEDERS/WIRE ROLLERBRAC. FEED DISP. NEW
13	2	39900103	CLAMP SET Ø60
14	1	0156-004	PULLEY WHEEL TYPE G
15	1	0156-003	BASIC FITTING TYPE T

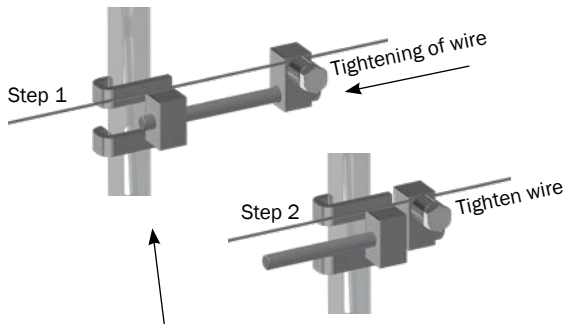
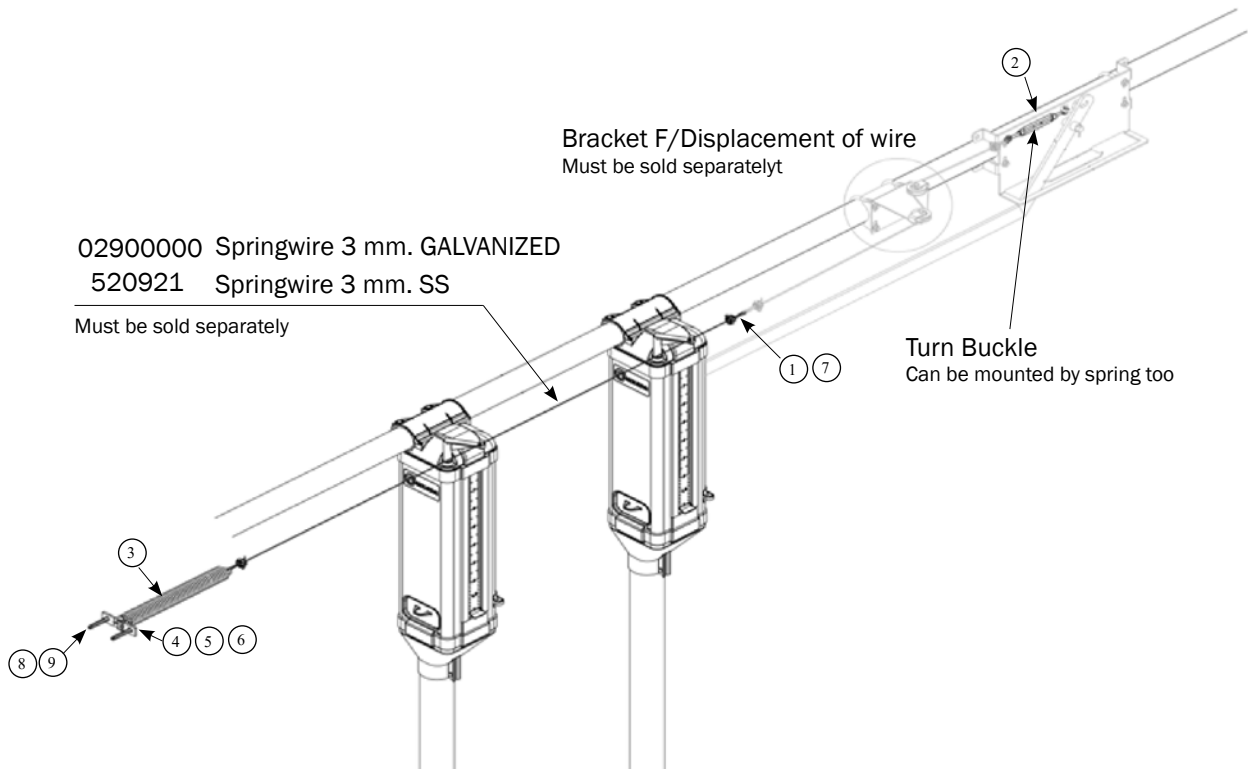
OPENING SYSTEM FOR SINGLE ROW WIRE / HANDLE MOUNTED ON PIPE - SPRING MOUNTED ON WALL

Part № 92392

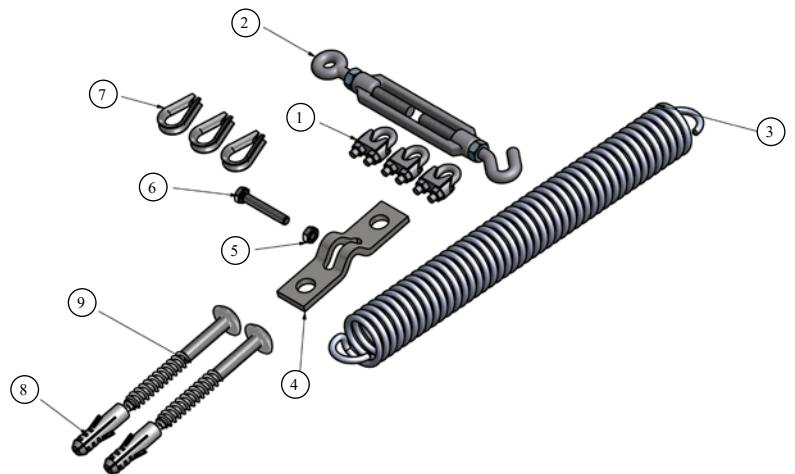
Spring

Opens up to 80 dispensers
Springpreload 10 -20 mm

Manuel opening F/New feeders on feeddoor
Must be sold separately



0155-227 Clamping tools for release system.
Is used for tighten up the wire.
Repeat if necessary.
Secure lengthwise of the wire.
Is sold separately.



PARTS LIST			
NO.	PCS.	ITEM NO.	DESCRIPTION
1	3	0591-174	WIRE LOCK 5 MM ST
2	1	0591-171	TURN BUCKLE 8 MM ST
3	1	9929032	TENSION SPRING 3X20X200MM HOT DIP GALVANIZED
4	1	92580	WALL BRACKET FOR STAY TIGHTENER
5	1	33506010	NUT M6 A2 DIN 934
6	1	30306040	SET SCREW M6X40 STAINLESS
7	3	39402500	THIMBLE 4 MM
8	2	39900001	WALL PLUG 12X60 MM
9	2	67444	M10 X 70 BUTTON HEAD TORX 50STAINLESS STEEL

OPENING SYSTEM FOR SINGLE ROW WIRE / SPRING / HANDLE MOUNTED ON PIPE

Part № 92393

Spring

Opens up to 80 dispensers

Springpreload 10 -20 mm

Manuel opening F/New feeders on feddoor
Must be sold separately

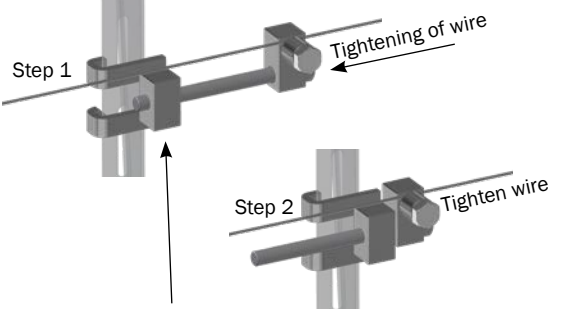
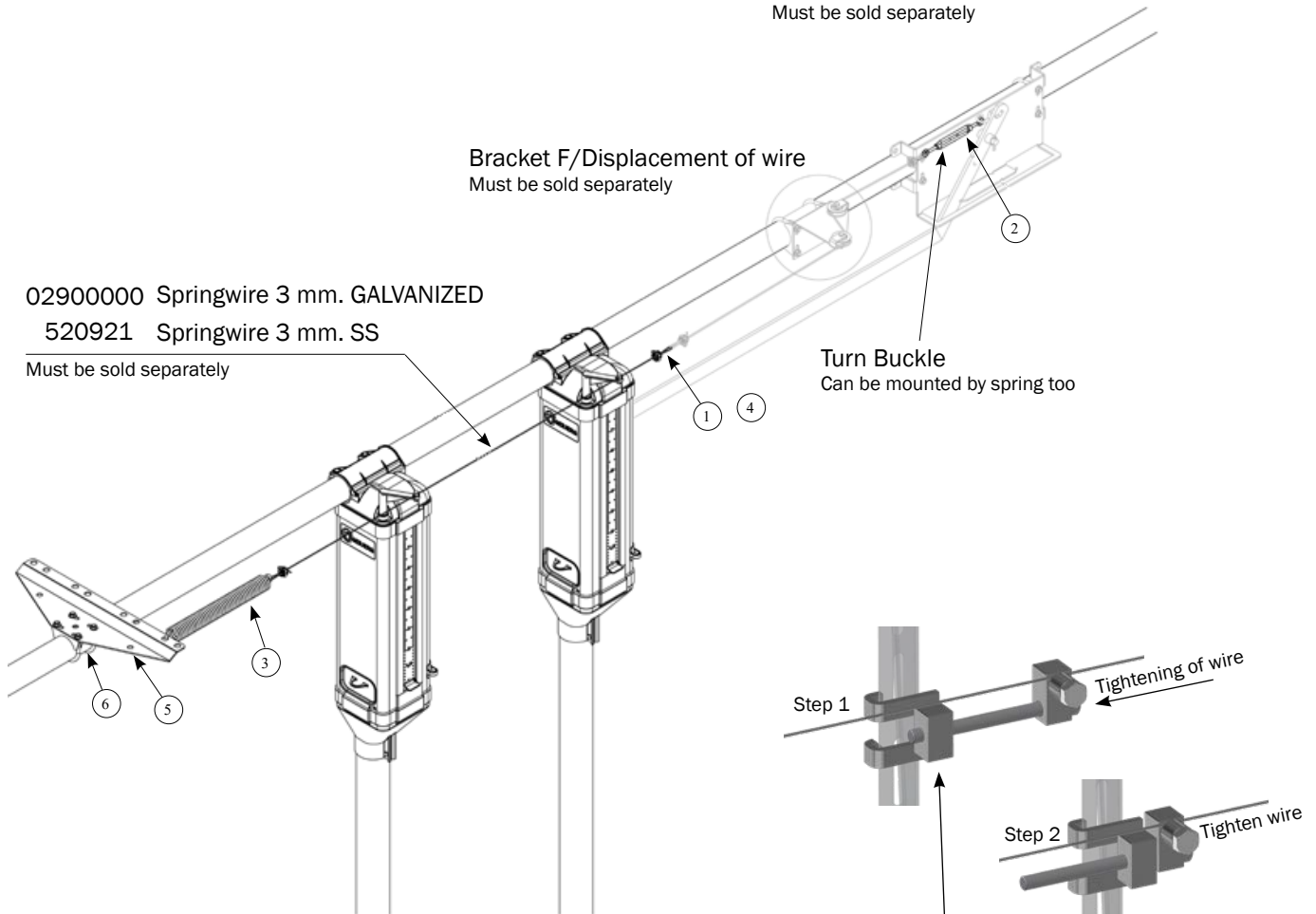
Bracket F/Displacement of wire
Must be sold separately

02900000 Springwire 3 mm. GALVANIZED

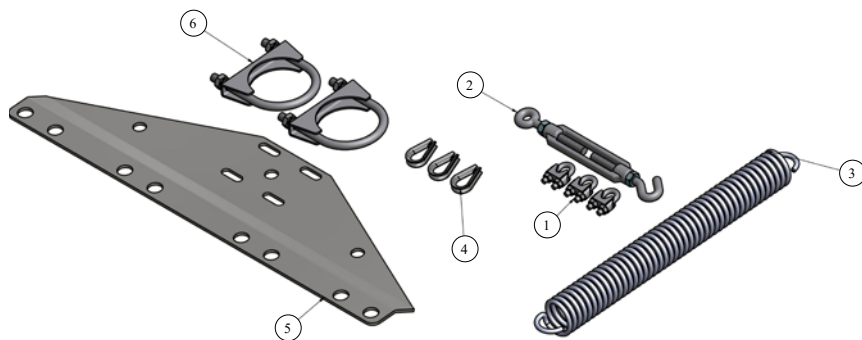
520921 Springwire 3 mm. SS

Must be sold separately

Turn Buckle
Can be mounted by spring too



0155-227 Clamping tools for release system.
Is used for tighten up the wire.
Repeat if necessary.
Secure lengthwise of the wire.
Is sold separately.

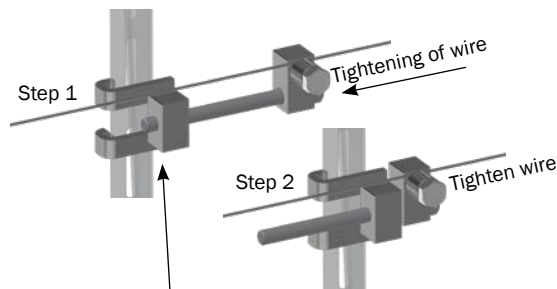
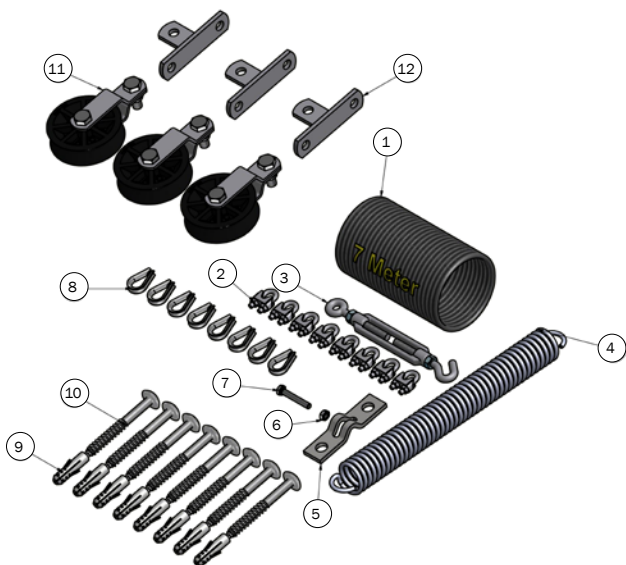
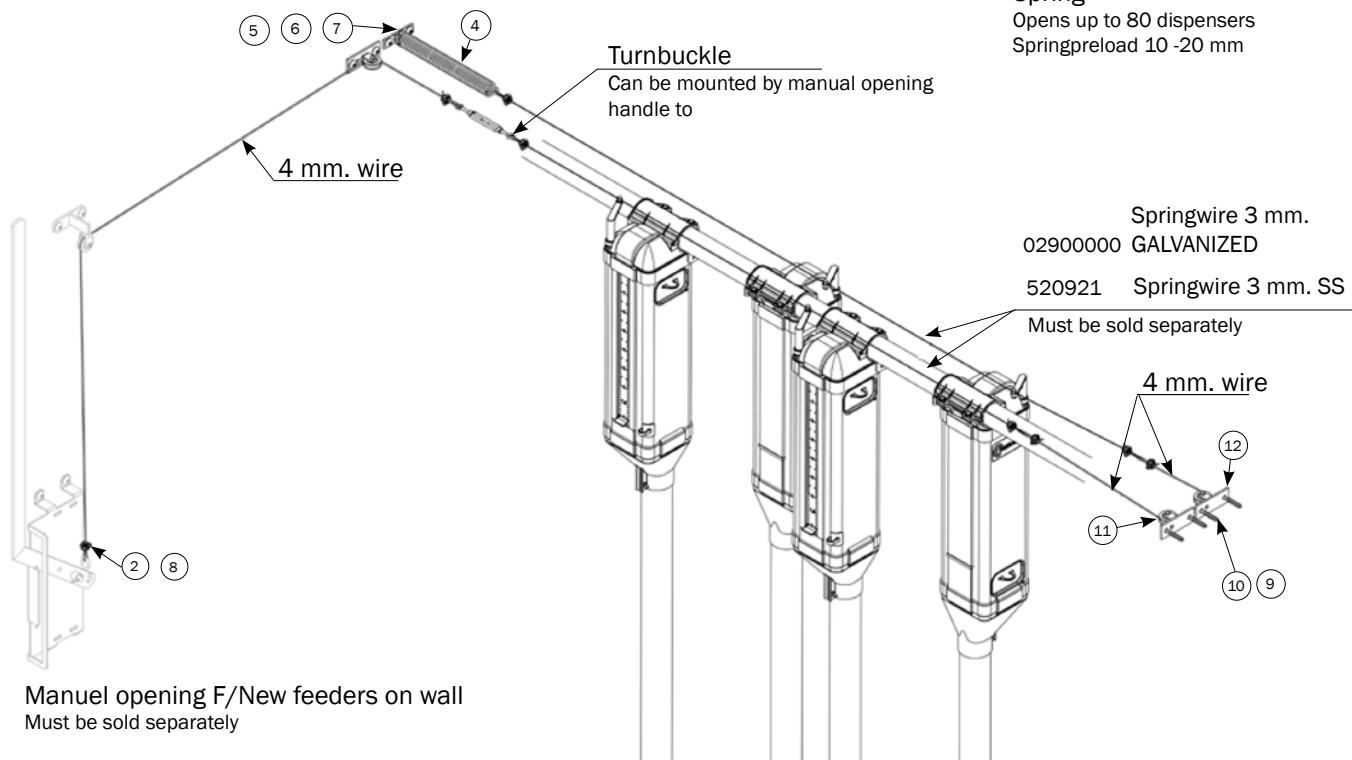


PARTS LISTE			
NO.	PCS.	ITEM NO.	DESCRIPTION
1	3	0591-174	WIRE LOCK 5 MM ST
2	1	0591-171	TURN BUCKLE 8 MM ST
3	1	9929032	TENSION SPRING 3X20X200MM HOT DIP GALVANIZED
4	3	39402500	THIMBLE 4 MM
5	1	92384	FEEDERS/WIRE ROLLERBRAC. FEED DISP. NEW
6	2	39900103	CLAMP SET Ø60

OPENING SYSTEM FOR DOUBLE ROW WIRE / SPRING / HANDLE MOUNTED ON WALL

Part № 92395

Spring
 Opens up to 80 dispensers
 Springpreload 10 -20 mm



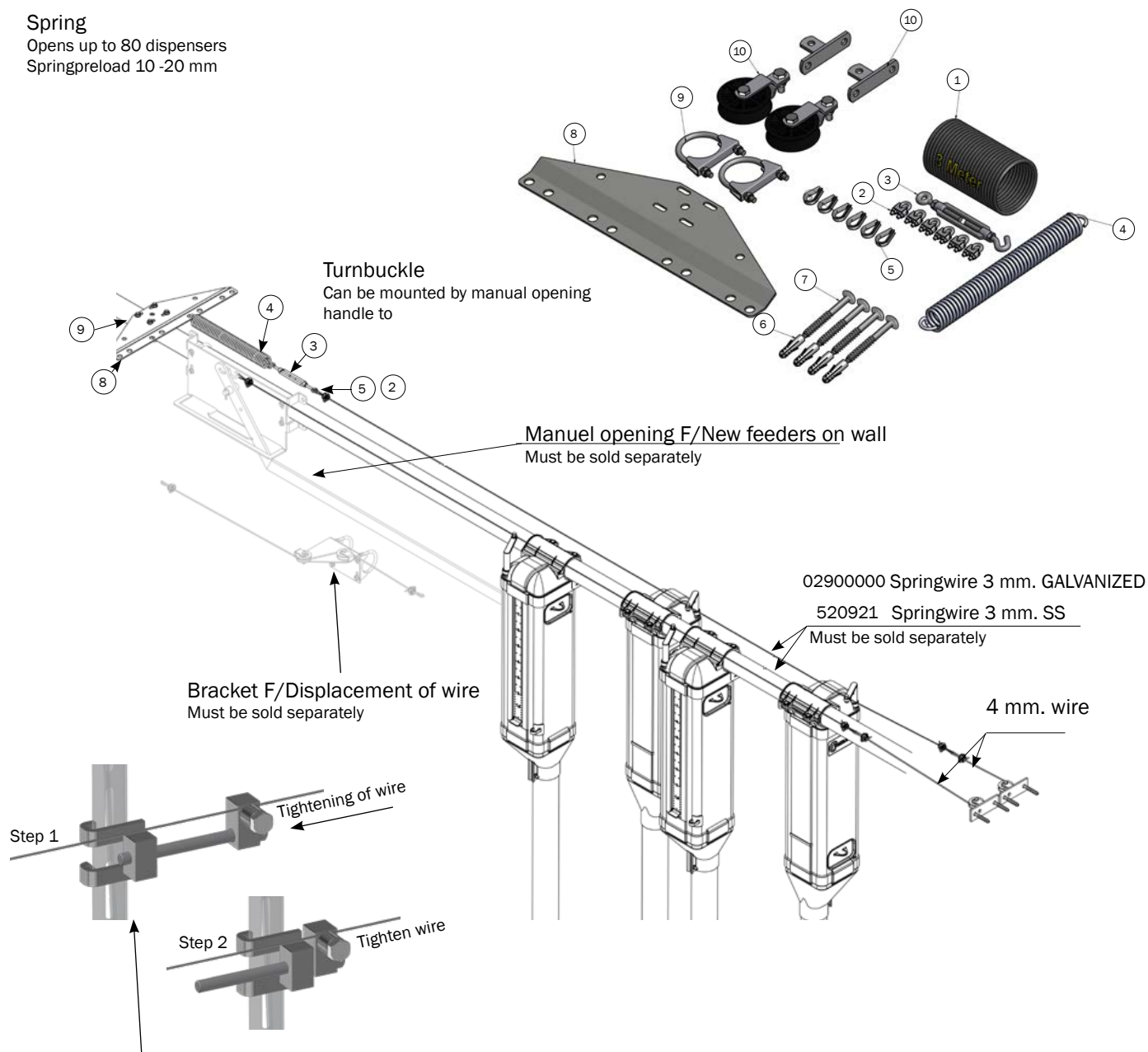
0155-227 Clamping tools for release system. Is used for tighten up the wire. Repeat if necessary. Secure lengthwise of the wire. Is sold separately.

PARTS LIST			
NO.	PCS.	ITEM NO.	DESCRIPTION
1	7	92536	WIRE 4 MM 7 X 19 SS
2	8	0591-174	WIRE LOCK 5 MM ST
3	1	0591-171	TURN BUCKLE 8 MM ST
4	1	9929032	TENSION SPRING 3X20X200MM HOT DIP GALVANIZED
5	1	92580	WALL BRACKET FOR STAY TIGHTENER
6	1	33506010	NUT M6 A2 DIN 934
7	1	30306040	SET SCREW M6X40 STAINLESS
8	8	39402500	THIMBLE 4 MM
9	8	39900001	WALL PLUG 12X60 MM
10	8	67444	M10 X 70 BUTTON HEAD TORX 50STAINLESS STEEL
11	3	0156-004	PULLEY WHEEL TYPE G
12	3	0156-003	BASIC FITTING TYPE T

OPENING SYSTEM FOR DOUBLE ROW WIRE MOUNTED ON WALL - SPRING / HANDLE MOUNTED ON PIPE OPENING
 Part № 92396

Spring

Opens up to 80 dispensers
 Springpreload 10 -20 mm



0155-227 Clamping tools for release system.

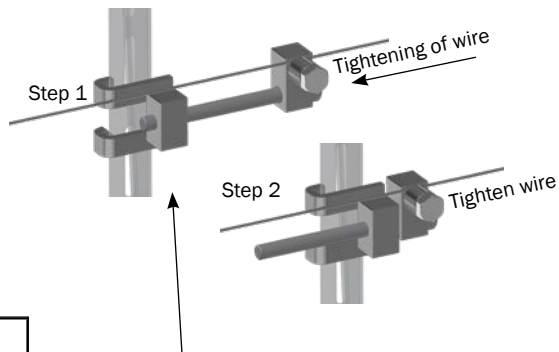
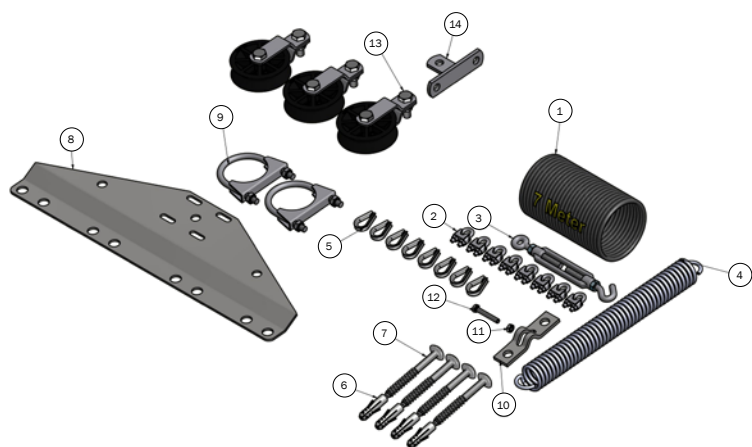
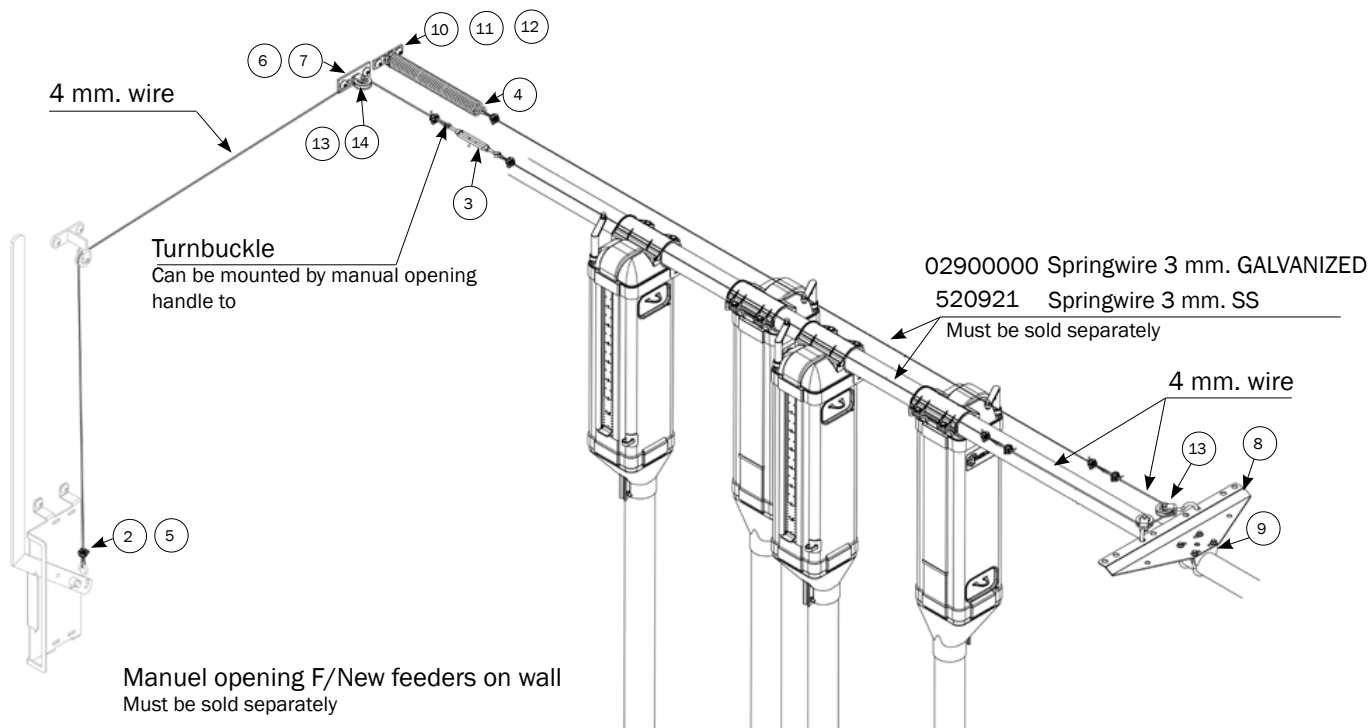
Is used for tighten up the wire.
 Repeat if necessary.
 Secure lengthwise of the wire.

PARTS LIST			
NO.	PCS.	ITEM NO.	DESCRIPTION
1	3	92536	WIRE 4 MM 7 X 19 SS
2	6	0591-174	WIRE LOCK 5 MM ST
3	1	0591-171	TURN BUCKLE 8 MM ST
4	1	9929032	TENSION SPRING 3X20X200MM HOT DIP GALVANIZED
5	6	39402500	THIMBLE 4 MM
6	4	39900001	WALL PLUG 12X60 MM
7	4	67444	M10 X 70 BUTTON HEAD TORX 50STAINLESS STEEL
8	1	92384	FEEDERS/WIRE ROLLERBRAC. FEED DISP. NEW
9	2	39900103	CLAMP SET Ø60
10	2	0156-004	PULLEY WHEEL TYPE G
11	2	0156-003	BASIC FITTING TYPE T

OPENING SYSTEM FOR DOUBLE ROW WIRE MOUNTED ON PIPE - SPRING / HANDLE MOUNTED ON WALL

Part № 92397

Spring
 Opens up to 80 dispensers
 Springpreload 10 -20 mm



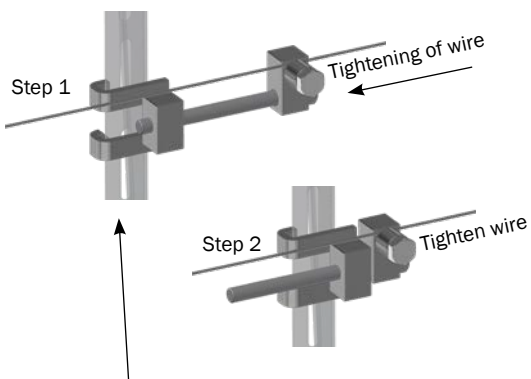
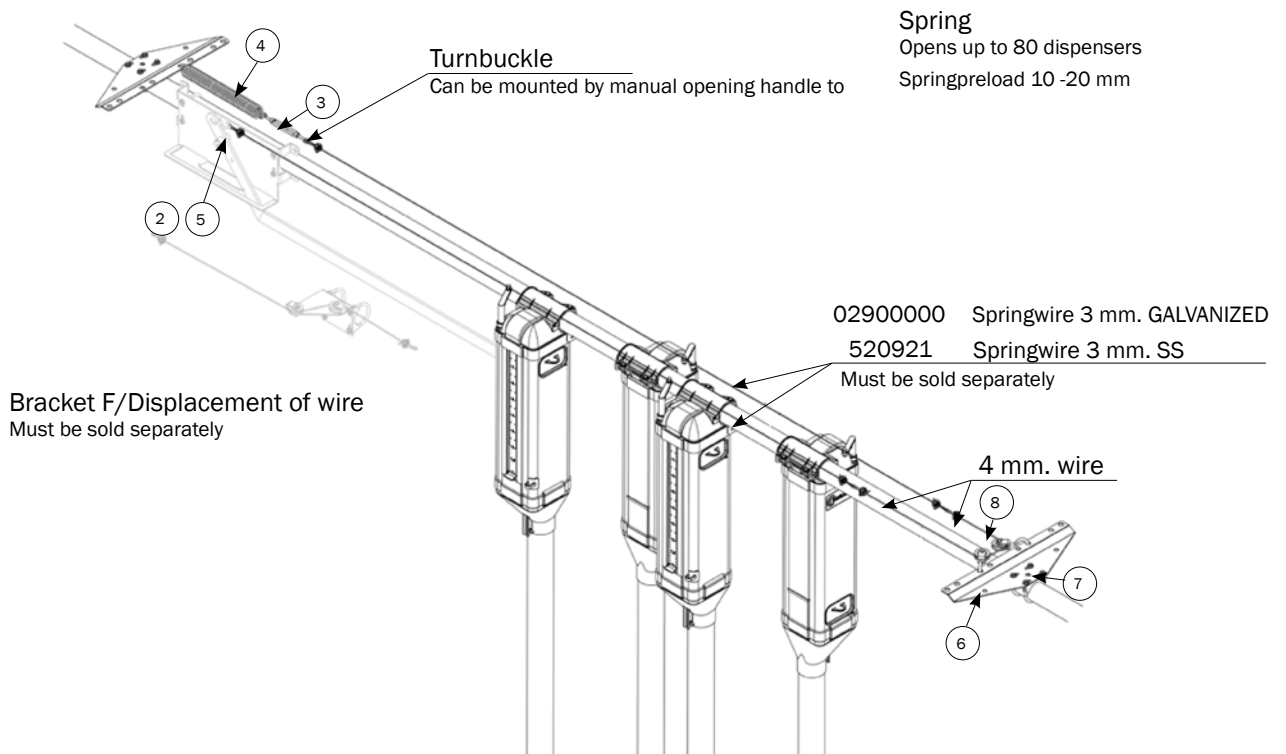
0155-227 Clamping tools for release system.
 Is used for tighten up the wire.
 Repeat if necessary.
 Secure lengthwise of the wire.
 Is sold separately.

PARTS LIST			
NO.	PCS.	ITEM NO.	DESCRIPTION
1	7	92536	WIRE 4 MM 7 X 19 SS
2	8	0591-174	WIRE LOCK 5 MM ST
3	1	0591-171	TURN BUCKLE 8 MM ST
4	1	9929032	TENSION SPRING 3X20X200MM HOT DIP GALVANIZED
5	8	39402500	THIMBLE 4 MM
6	4	39900001	WALL PLUG 12X60 MM
7	4	67444	M10 X 70 BUTTON HEAD TORX 50STAINLESS STEEL
8	1	92384	FEEDERS/WIRE ROLLERBRAC. FEED DISP. NEW
9	2	39900103	CLAMP SET Ø60
10	1	92580	WALL BRACKET FOR STAY TIGHTENER
11	1	33506010	NUT M6 A2 DIN 934
12	1	30306040	SET SCREW M6X40 STAINLESS
13	3	0156-004	PULLEY WHEEL TYPE G
14	1	0156-003	BASIC FITTING TYPE T

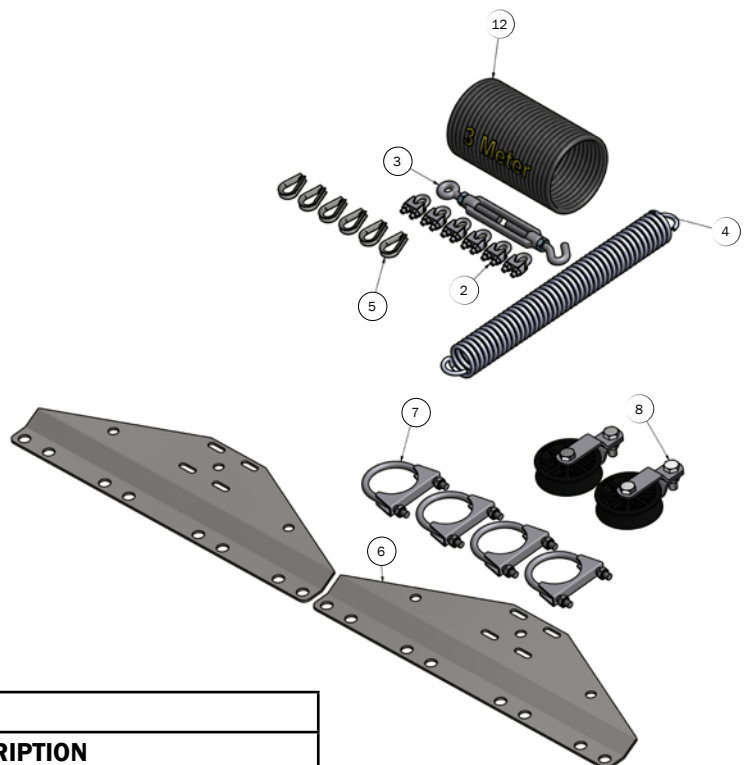
M-1030-GB

OPENING SYSTEM FOR DOUBLE ROW WIRE / SPRING / HANDLE MOUNTED ON PIPE

Part № 92398



0155-227 Clamping tools for release system.
Is used for tighten up the wire.
Repeat if necessary.
Secure lengthwise of the wire.
Is sold separately.

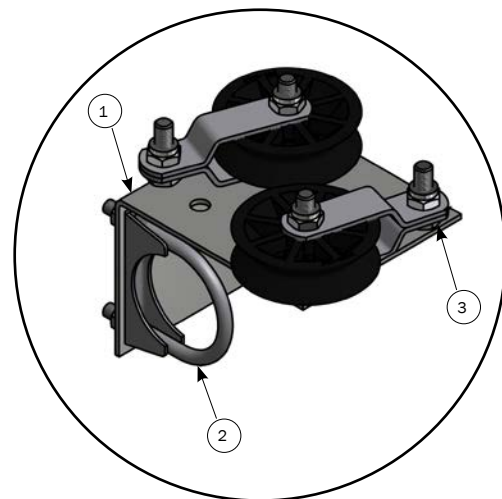
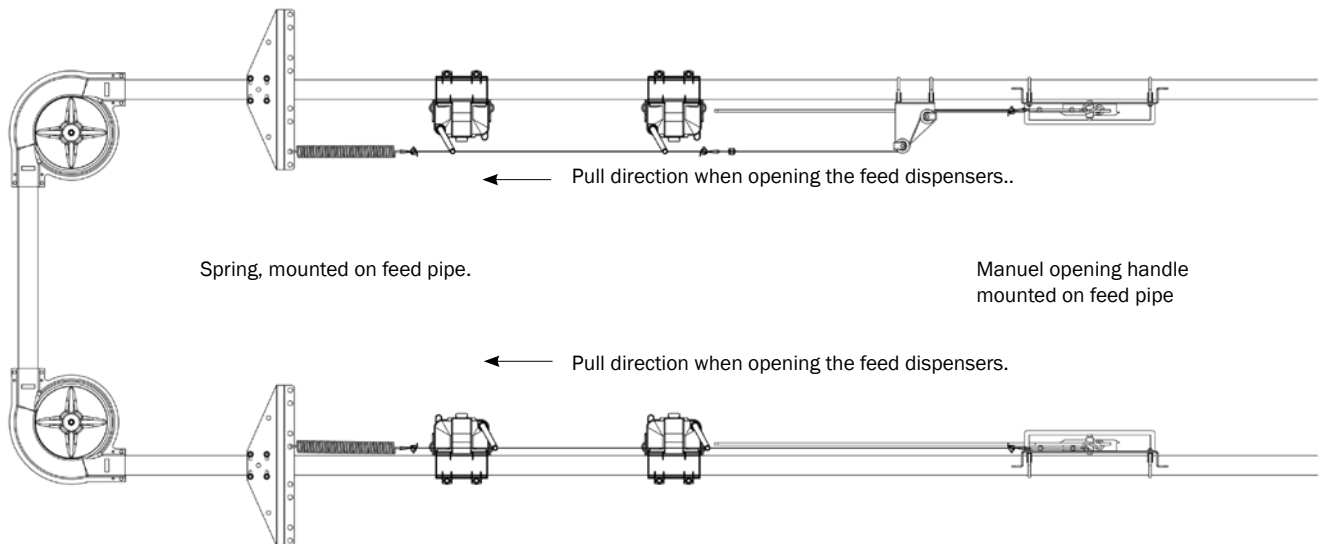


PARTS LIST			
NO.	PCS.	ITEM NO.	DESCRIPTION
1	3	92536	WIRE 4 MM 7 X 19 SS
2	6	0591-174	WIRE LOCK 5 MM ST
3	1	0591-171	TURN BUCKLE 8 MM ST
4	1	9929032	TENSION SPRING 3X20X200MM HOT DIP GALVANIZED
5	6	39402500	THIMBLE 4 MM
6	2	92384	FEEDERS/WIRE ROLLERBRAC. FEED DISP. NEW
7	4	39900103	CLAMP SET Ø60
8	2	0156-004	PULLEY WHEEL TYPE G

BRACKET FOR DISPLACEMENT OF WIRE 60 MM

Part № 92386

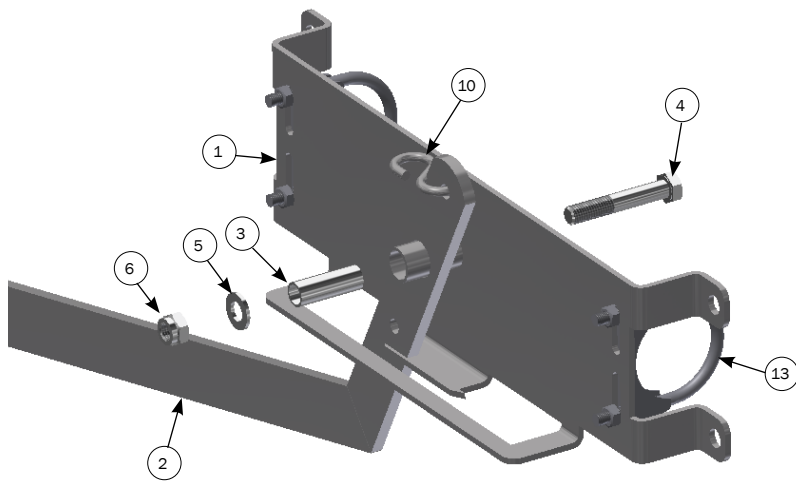
Both rows of feed dispensers has the same pull direction.
 The difference is; the other row is turned 180°.
 The small arm on top for opening the feed dispenser is in another position.
 Therefore you need the "Bracket F/ Displacement of wire"



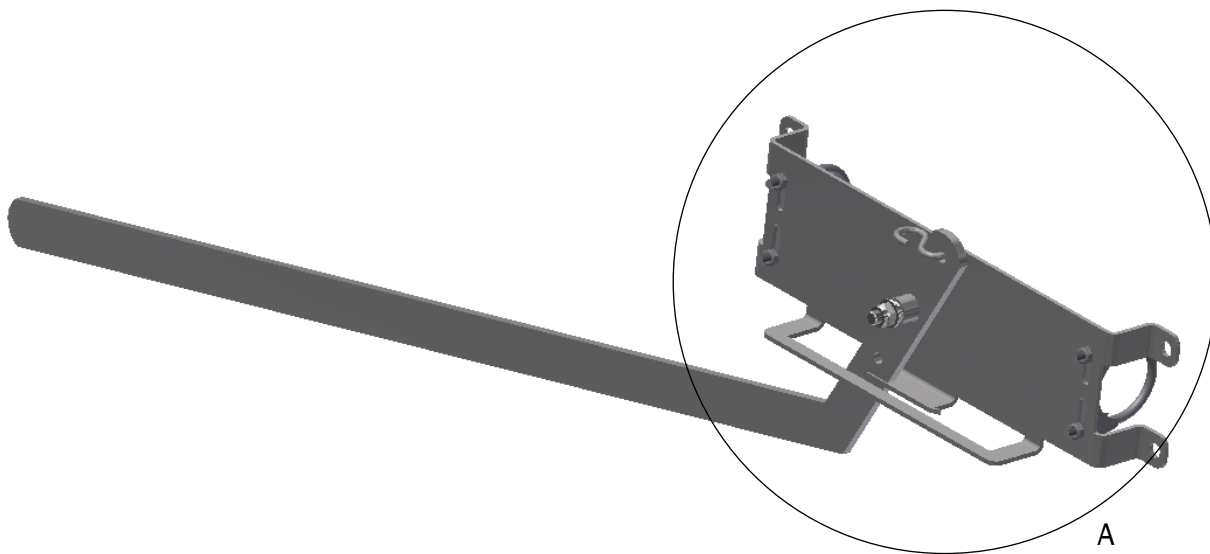
PARTS LIST			
NO.	PCS.	ITEM NO.	DESCRIPTION
1	1	92385	BRACKET F/WIRE DISPLACEMENT
2	2	39900103	CLAMP SET Ø60
3	2	0156-004	PULLEY WHEEL TYPE G

MANUAL OPENING FOR FEED DISPENSERS MOUNTED ON PIPE

Part № 92403



DETAIL A

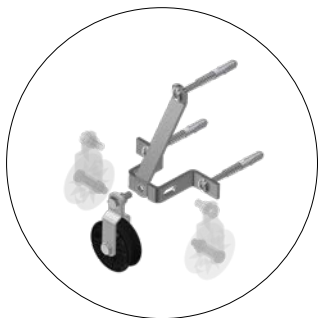


PARTS LIST

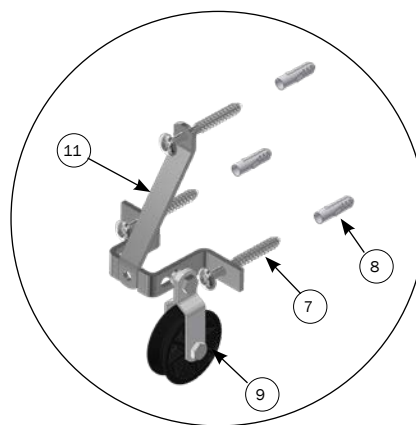
NO.	PCS.	ITEM NO.	DESCRIPTION
1	1	92382	OPENING BRACKET FEED DISPENSER 91700
2	1	92383	OPENING HANDLE FEED DISPENSER 91700
3	1	8250029	BUCHING 45MM
4	1	32312070	MACHINE SCREW M12X70 A2 DIN 931
5	1	35600051	WASHER 13X24X2,5 A2 DIN125
6	1	33912000	LOCK NUT M12 A2 DIN 985
7	1	95076	S-HOOK 6 MM GALV.
8	2	39900103	CLAMP SET Ø60w

MANUAL OPENING FOR FEED DISPENSERS MOUNTED ON THE WALL

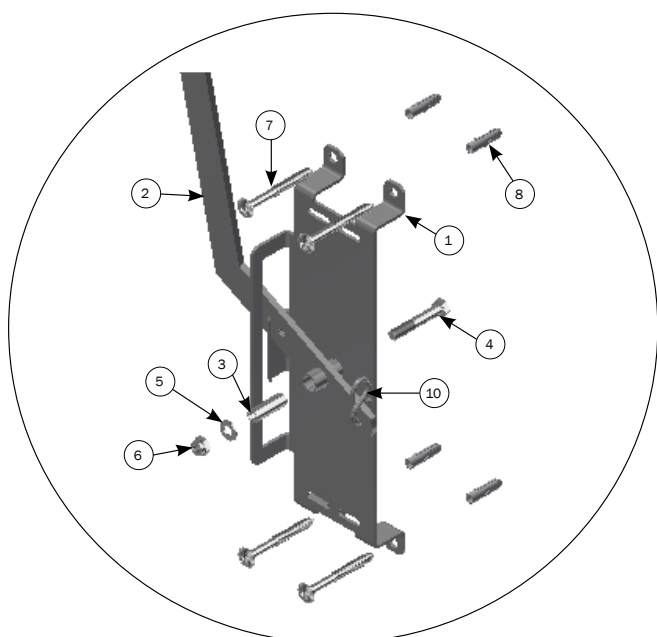
Part № 92400



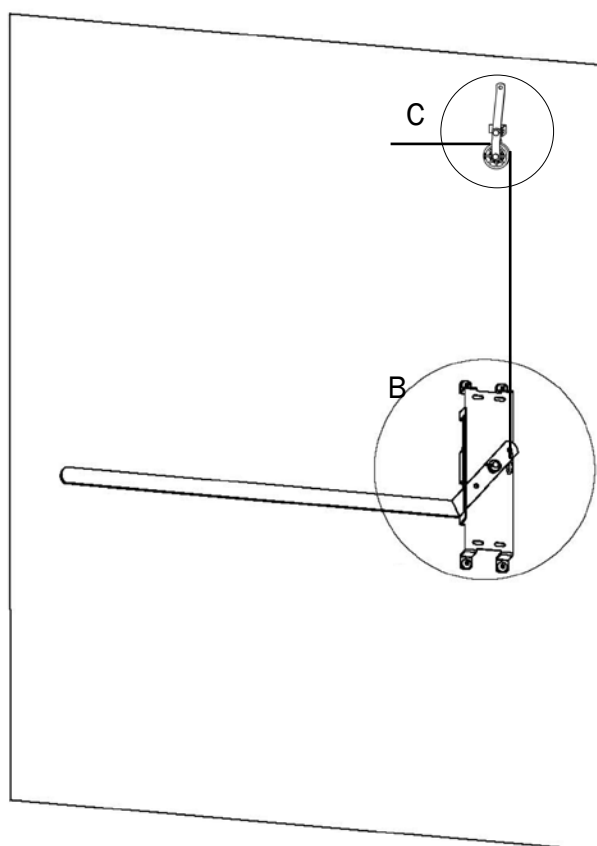
Position options



DETAIL C



DETAIL B
SCALE 1 : 5



PARTS LIST			
NO.	PCS.	ITEM NO.	DESCRIPTION
1	1	92382	OPENING BRACKET FEED DISPENSER 91700
2	1	92383	OPENING HANDLE FEED DISPENSER 91700
3	1	8250029	BUSHING 45MM
4	6	32312070	MACHINE SCREW M12X70 A2 DIN 93
5	1	35600051	WASHER 13X24X2,5 A2 DIN125
6	1	33912000	LOCK NUT M12 A2 DIN 985
7	7	67444	10 X 70 BUTTON HEAD TORX 50 STAINLESS STEEL
8	7	39900001	WALL PLUG 12X60 MM
9	1	0156-004	PULLEY WHEEL TYPE G
10	1	95076	S-HOOK 6 MM GALV.
11	1	0156-007	BASIC FITTING TYPE R/L