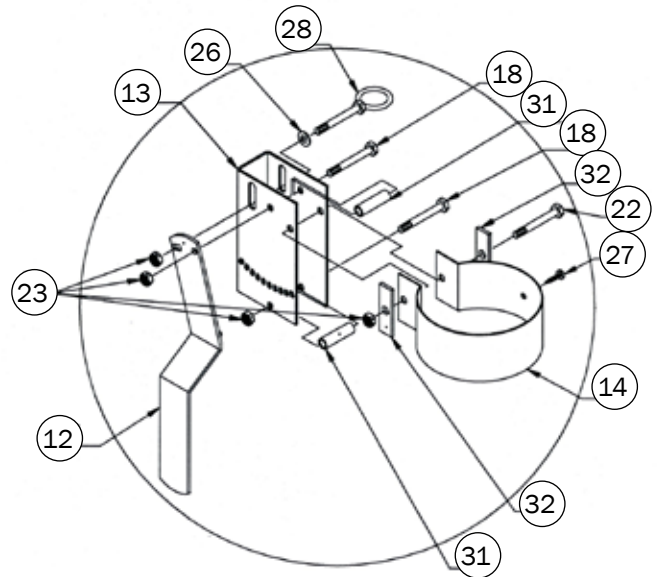
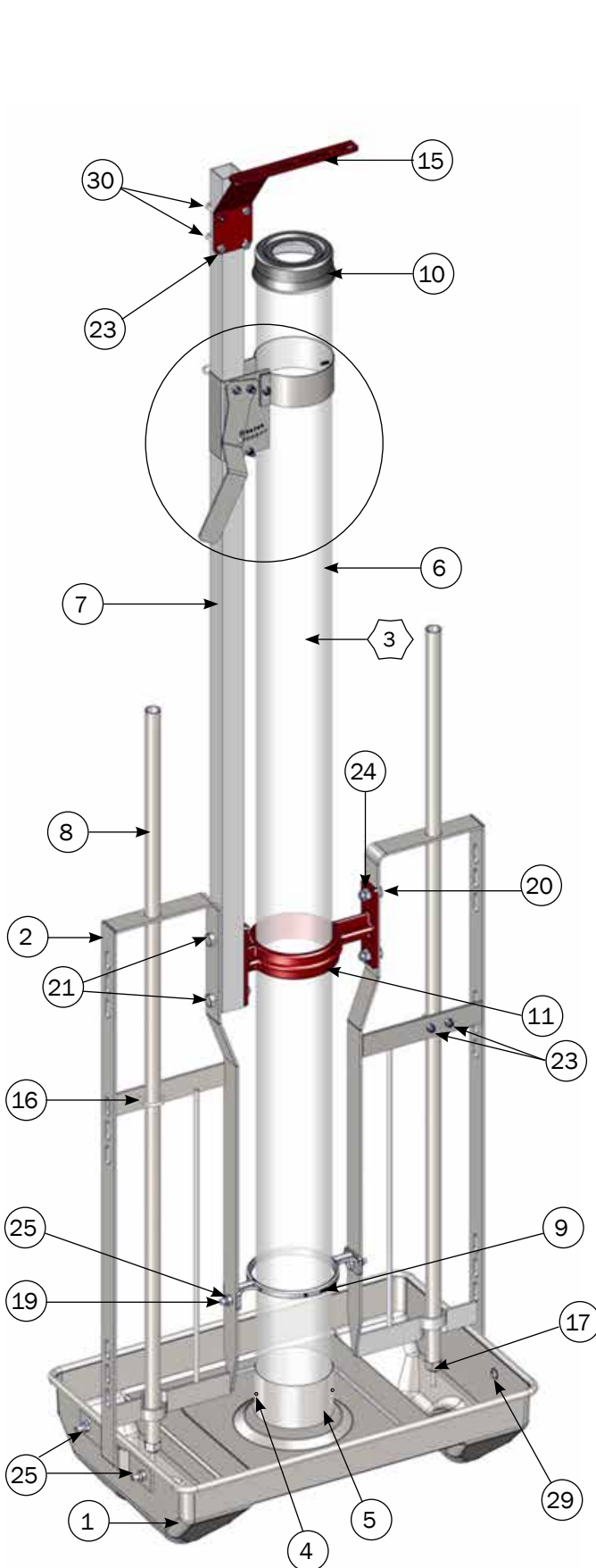


№ 89504



| №  | QTY. | Part №   | Description  |
|----|------|----------|--|
| 1  | 2    | 71009    | TROUGH VI+ FINISHERS, 15 X 40X 60 CM                     |
| 2  | 1    | 70304    | FRAME FOR PIPEFEEDERS                                    |
| 3  | 1    | 89053    | PIPE 110 MM WITH CAPE FOR TUBE-O-MAT® PIPE               |
| 4  | 2    | 18841    | PLATE SCREW DIN 7981 3,9X13 MM V2A                       |
| 5  | 1    | 0170-040 | CAP 350 MM FOR PVC PIPE 110 MM STAINLESS STEEL           |
| 6  | 1    | 89050    | PIPE 110 MM WITH CAPE FOR TUBE-O-MAT® PIPE               |
| 7  | 1    | 89370    | STANCHION FOR TUBE-O-MAT® PIPE                           |
| 8  | 2    | 94017    | PIPE 23 MM 120 CM FEMALE THREAD T-T                      |
| 9  | 1    | 72098    | LIMITATION RING TOP 2008                                 |
| 10 | 1    | 89076    | TUBE-O-MAT® PIPE COLLAR                                  |
| 11 | 1    | 89376R   | GUIDE SLEEVE FOR TUBE-O-MAT® RED                         |
| 12 | 1    | 89381    | ADJUSTMENT HANDLE TUBE-O-MAT® PIPE                       |
| 13 | 1    | 89386    | ADJUSTMENT BRACKET TUBE-O-MAT® PIPE                      |
| 14 | 1    | 89392    | TIGHREN RING FOR 110 MM TUBE-O-MAT® PIPE                 |
| 15 | 1    | 89400    | TOPBRACKET/PIPESUPPORT FOR TUBE-O-MAT® PIPE              |
| 16 | 2    | 18843    | STAINLESS BRACKET 1/2" M6                                |
| 17 | 2    | 281496   | PRESS NIPPLE SS FOR TOM PIPE FEEDER 1/2" EXTERNAL THREAD |
| 18 | 2    | 30306050 | SET SCREW M6X50 A2 DIN 933                               |
| 19 | 2    | 30308016 | SET SCREW M8X16 A2 DIN 933                               |
| 20 | 2    | 30310025 | SET SCREW M10X25 A2 DIN 933                              |
| 21 | 2    | 30310060 | SET SCREW M10X60 A2 DIN 933                              |
| 22 | 1    | 32306055 | MACHINE SCREW M6X55 A2 DIN 931                           |
| 23 | 12   | 33596010 | LOCK NUT M6 A2 DIN 985                                   |
| 24 | 4    | 33900029 | LOCK NUT M10 A2 DIN 985                                  |
| 25 | 6    | 33908001 | LOCK NUT M8 A2 DIN 985                                   |
| 26 | 1    | 35600093 | NUT WASHER Ø6X6,4/18/1,6 A2 DIN 9021                     |
| 27 | 1    | 39900007 | SHEET SCREW 4,2X9,5 PH X-SLOTFZB DIN 7981 C              |
| 28 | 1    | 67192    | 6 X 55 EYE SCREW/PIPESUPPORT                             |
| 29 | 4    | 67331    | M8 X 20 BH SOCKET SCREW A2 ISO 7380                      |
| 30 | 2    | 69739    | U-BOLT 35X35 M6 FZB                                      |
| 31 | 2    | 89388    | SPACER FOR ADJUSTMENT BRACKET                            |
| 32 | 2    | 89393    | 15 X 3 FLAT IRON CLAMP                                   |