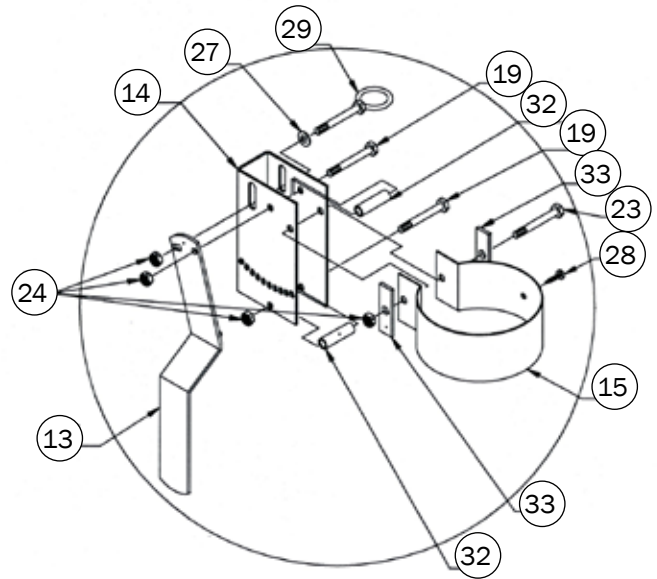
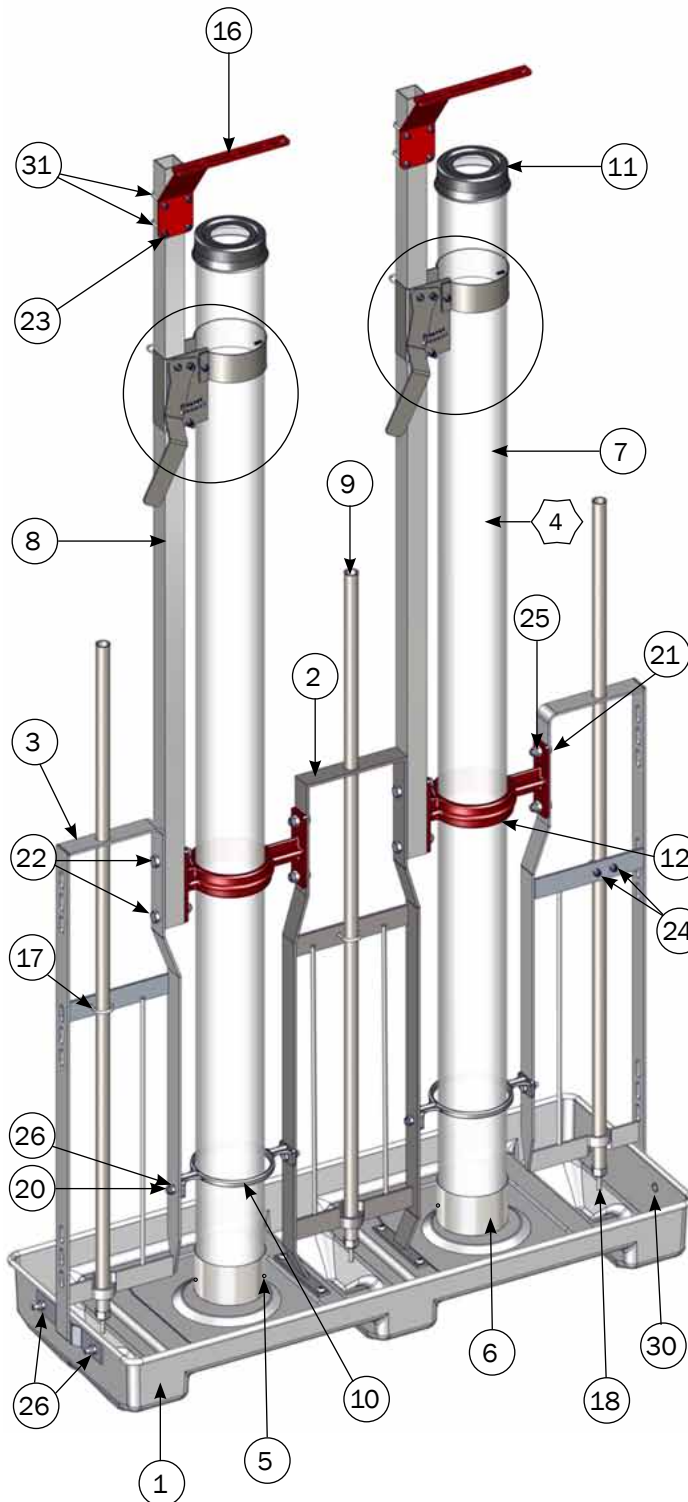


No 89684



No	QTY.	Part No	Description
1	1	71059	TROUGH VI+ FINISHER JUMBO, 15X 40 X 103,5 CM
2	1	70514	FRAME MIDDLE TUBE-O-MAT® TUBE LAV
3	2	70304	FRAME FOR PIPEFEEDERS
4	2	89053	PIPE 110 MM WITH CAPE FOR TUBE-O-MAT® PIPE
5	2	18841	PLATE SCREW DIN 7981 3,9X13 MM V2A
6	1	89040	TUBE-O-MAT® CAPE 110 MM PVC-PIPE SS
7	1	89050	PIPE 110 MM WITH CAPE FOR TUBE-O-MAT® PIPE
8	2	89370	STANCHION FOR TUBE-O-MAT® PIPE
9	3	94017	PIPE 23 MM 120 CM FEMALE THREAD T-T
10	2	72098	LIMITATION RING TOP 2008
11	2	89076	TUBE-O-MAT®PIPE COLLAR
12	2	89376R	GUIDE SLEEVE FOR TUBE-O-MAT®RED
13	2	89381	ADJUSTMENT HANDLE TUBE-O-MAT®PIPE
14	2	89386	ADJUSTMENT BRACKET TUBE-O-MAT® PIPE
15	2	89392	TIGHREN RING FOR 110 MM TUBE-O-MAT® PIPE
16	2	89400	TOPBRACKET/PIPESUPPORT FOR TUBE-O-MAT® PIPE
17	3	18843	STAINLESS BRACKET 1/2" M6
18	3	281496	PRESS NIPPLE SS FOR TOM PIPE FEEDER 1/2' EXTERNAL THREAD
19	4	30306050	SET SCREW M6X50 A2 DIN 933
20	4	30308016	SET SCREW M8X16 A2 DIN 933
21	4	30310025	SET SCREW M10X25 A2 DIN 933
22	4	30310060	SET SCREW M10X60 A2 DIN 933
23	2	32306055	MACHINE SCREW M6X55 A2 DIN 931
24	24	33596010	LOCK NUT M6 A2 DIN 985
25	8	33900029	LOCK NUT M10 A2 DIN 985
26	12	33908001	LOCK NUT M8 A2 DIN 985
27	2	35600093	NUT WASHER Ø6X6,4/18/1,6 A2 DIN 9021
28	2	39900007	SHEET SCREW 4,2X9,5 PH X-SLOTFZB DIN 7981 C
29	2	67192	6 X 55 EYE SCREW/PIPESUPPORT
30	8	67331	M8 X 20 BH SOCKET SCREW A2 ISO 7380
31	4	69739	U-BOLT 35X35 M6 FZB
32	4	89388	SPACER FOR ADJUSTMENT BRACKET
33	4	89393	15 X 3 FLAT IRON CLAMP