

# MOUNTING INSTRUCTION



## BOX FEEDERS FINISHER



**ACO FUNKI A/S**

Kirkevænget 5  
DK-7400 Herning

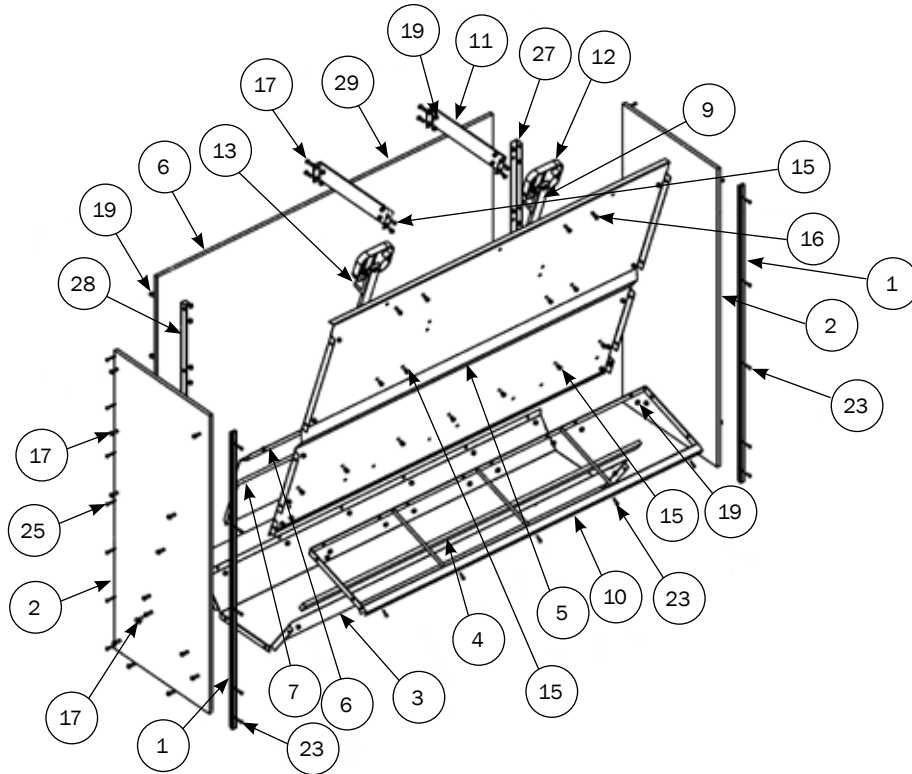
Tel. +45 9711 9600

Fax +45 9711 9677

[www.acofunki.com](http://www.acofunki.com)

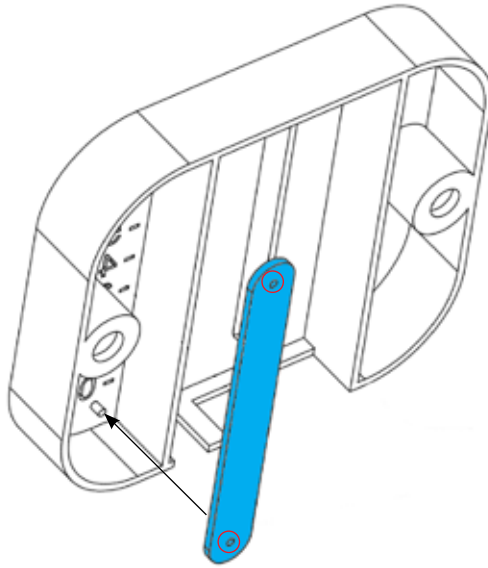
**DANISH DESIGN | GERMAN QUALITY | GLOBAL EXPERIENCE**

## PARTS LIST ON BOX FEEDERS - FINISHER



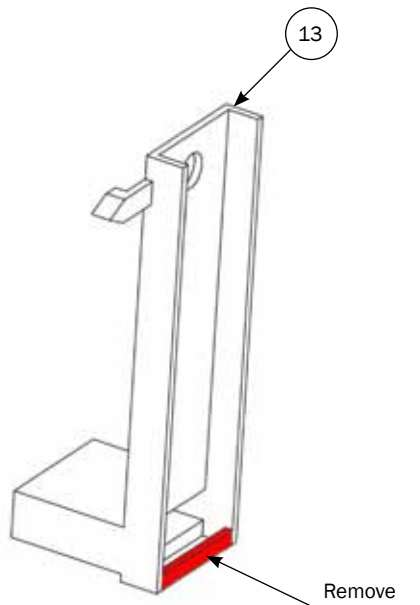
No	ITEM No.				DESCRIPTION
	560062U 2X1 RF TROUGH	560063U 3X1 RF TROUGH	560064U 4X1 RF TROUGH	560065U 5X1 RF TROUGH	
1	2	2	2	2	SIDE FERRULE
2	2	2	2	2	SIDE
3	1	1	1	1	TROUGH
4	1	1	1	1	C-PROFILE INSERT
5	1	1	1	1	FRONT PLATE
6	1	1	1	1	SLIDE PROTECTION
7	1	1	1	1	SLIDER
8	1	1	2	2	GROMMERT
9	1	1	2	2	PULLING BAR
10	1	1	1	1	FRAME
11	0	1	2	2	BRACKET
12	1	2	2	2	REGULATION BODY
13	1	2	2	2	REGULATION GAUGE
14	1	2	2	2	REGULATION KNOB
15	10	17	22	25	BUTTON HEAD BOLT ISO 7380 - M6X10MM
16	2	4	4	4	BUTTON HEAD BOLT ISO 7380 - M6X12MM
17	37	41	44	45	BUTTON HEAD BOLT ISO 7380 - M6X20MM
18	1	2	2	2	HEXAGON HEAD BOLT DIN 933 - M8X25MM
19	49	62	70	74	SELF-LOCKING NUT DIN 985 - M6
20	1	2	2	2	SELF-LOCKING NUT DIN 985 - M8
21	2	4	4	4	WASHER DIN 125A - 6.4MM
22	1	2	2	2	WASHER DIN 9021 - 8.4MM
23	13	14	15	22	SPÅN SKRUE 3.5X19MM
24	3	6	6	6	SCREW 4X20MM
25	14	14	14	14	SCREW 4X35MM
26	1	1	1	1	BACK PLATE
27	1	1	1	1	RIGHT ANGLE STEEL
28	1	1	1	1	LEFT ANGLE STEEL
29	0	0	0	1	BACK FERRULE

## PREPARING OF REGULATION BODY



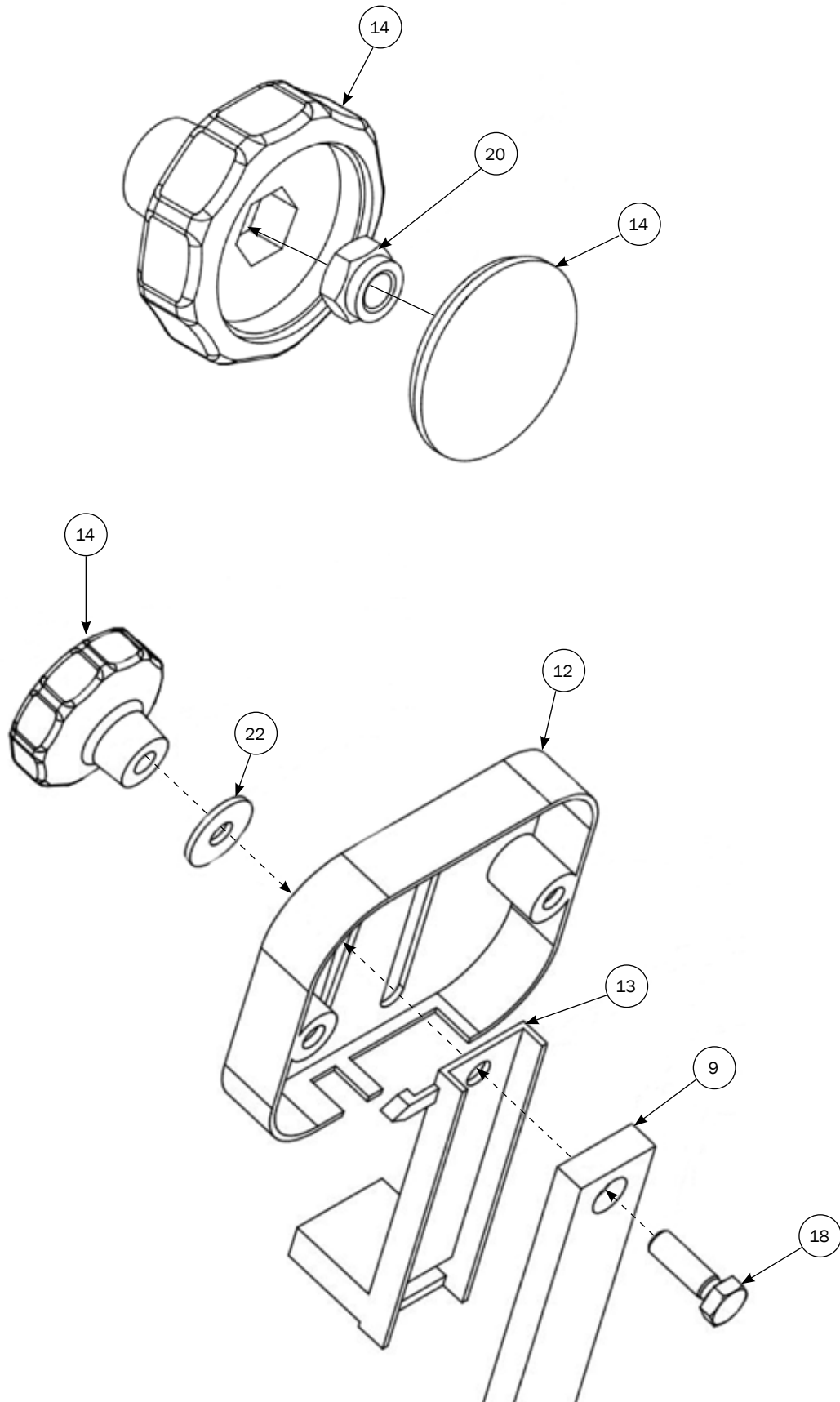
---

## PREPARING OF REGULATION GAUGE



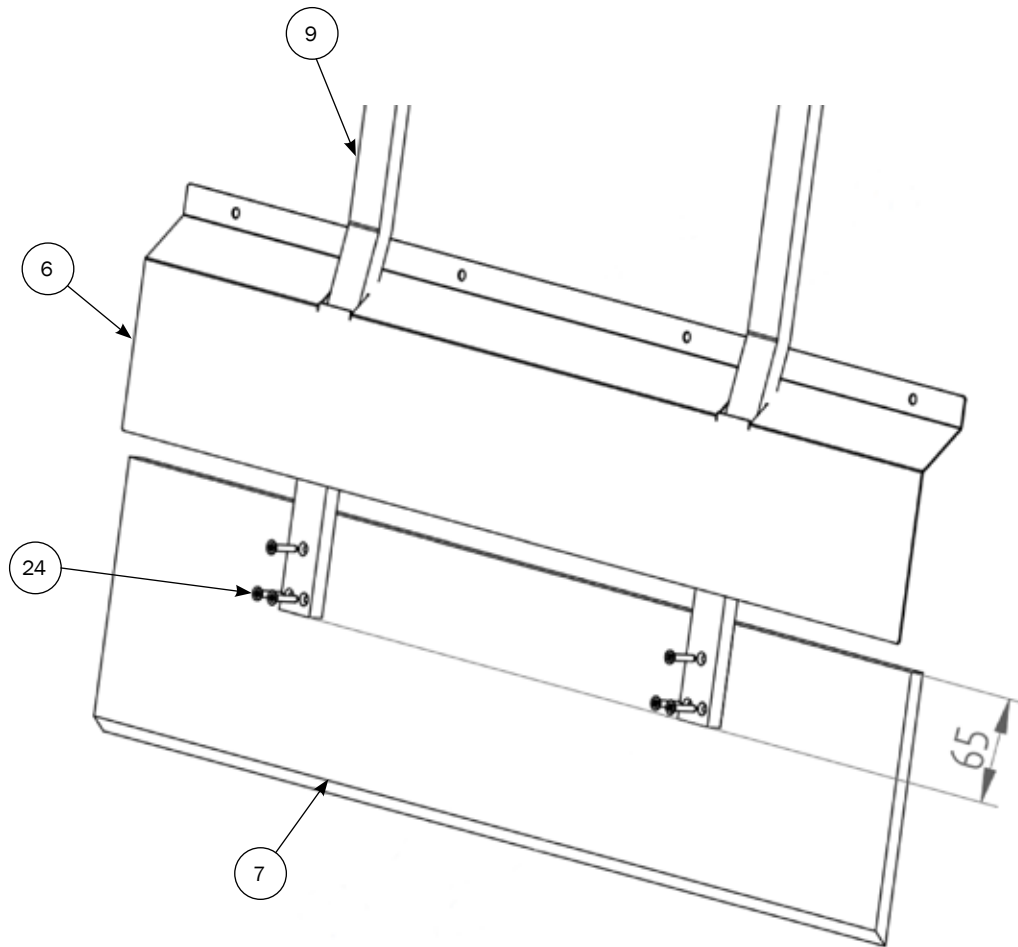
## MOUNTING OF REGULATION KNOB

For parts list: look at page 2



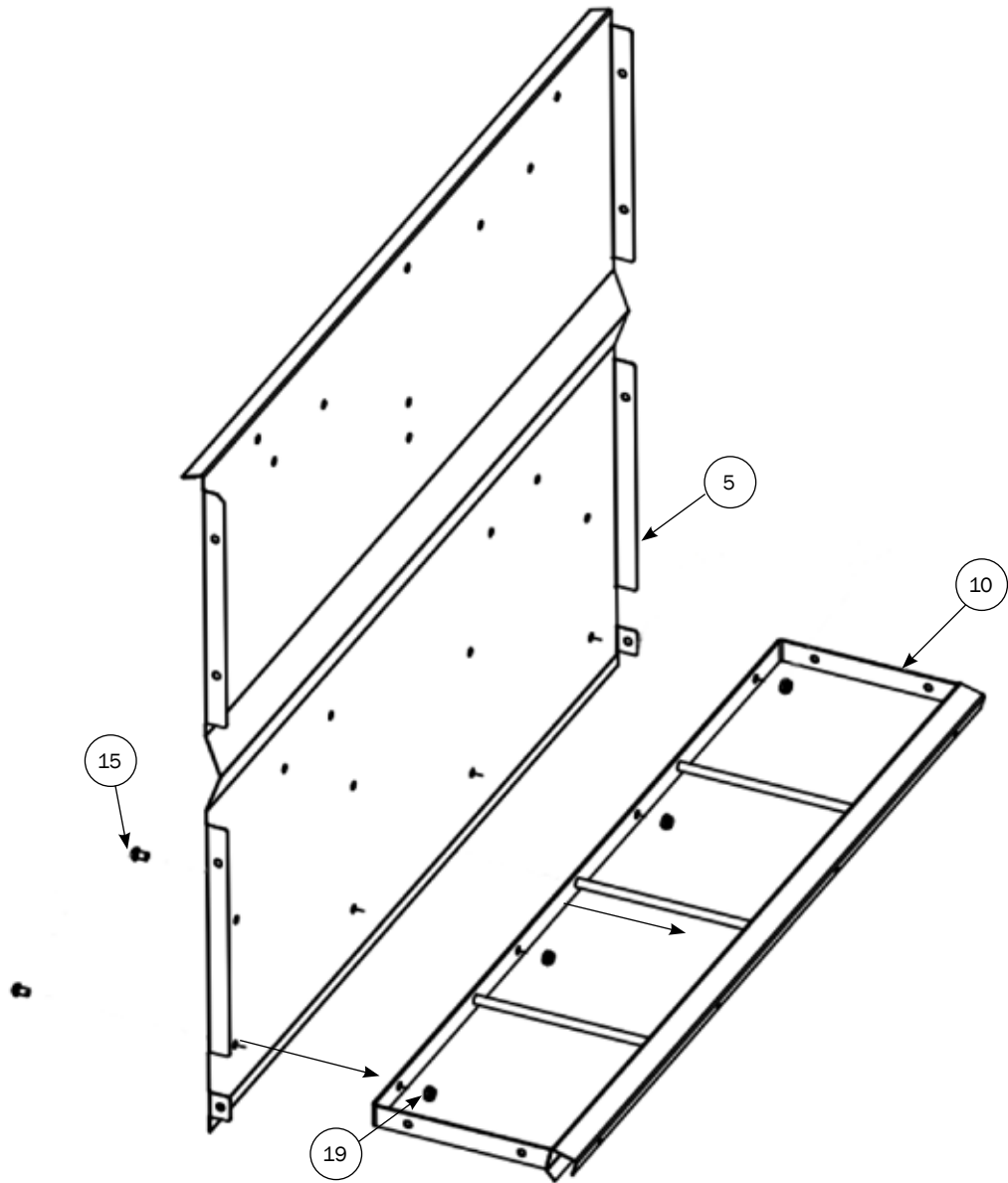
## MOUNTING OF SLIDER AND FRAME

For parts list: look at page 2



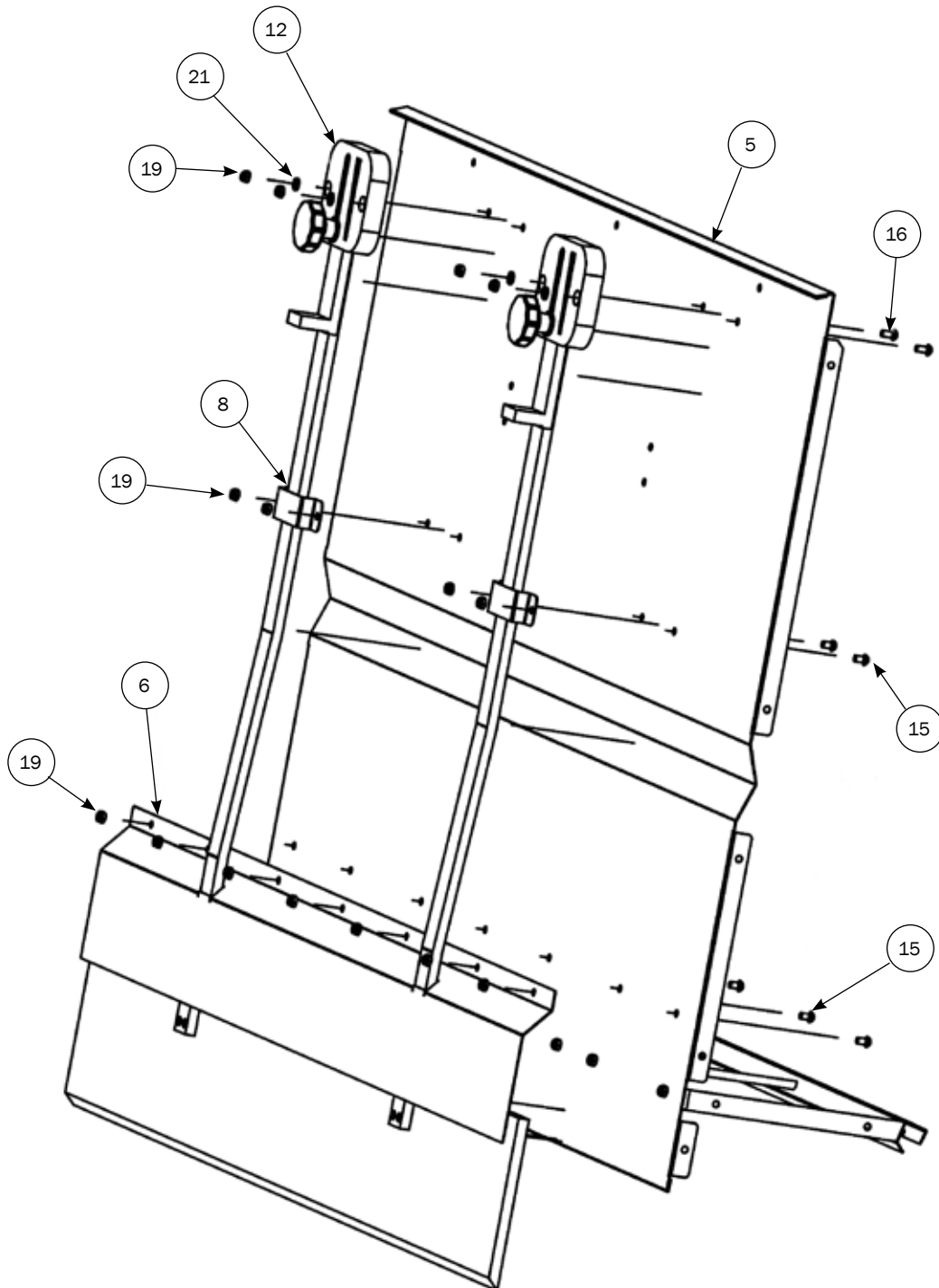
## MOUNTING OF FRONT PLATE ON FRAME

For parts list: look at page 2



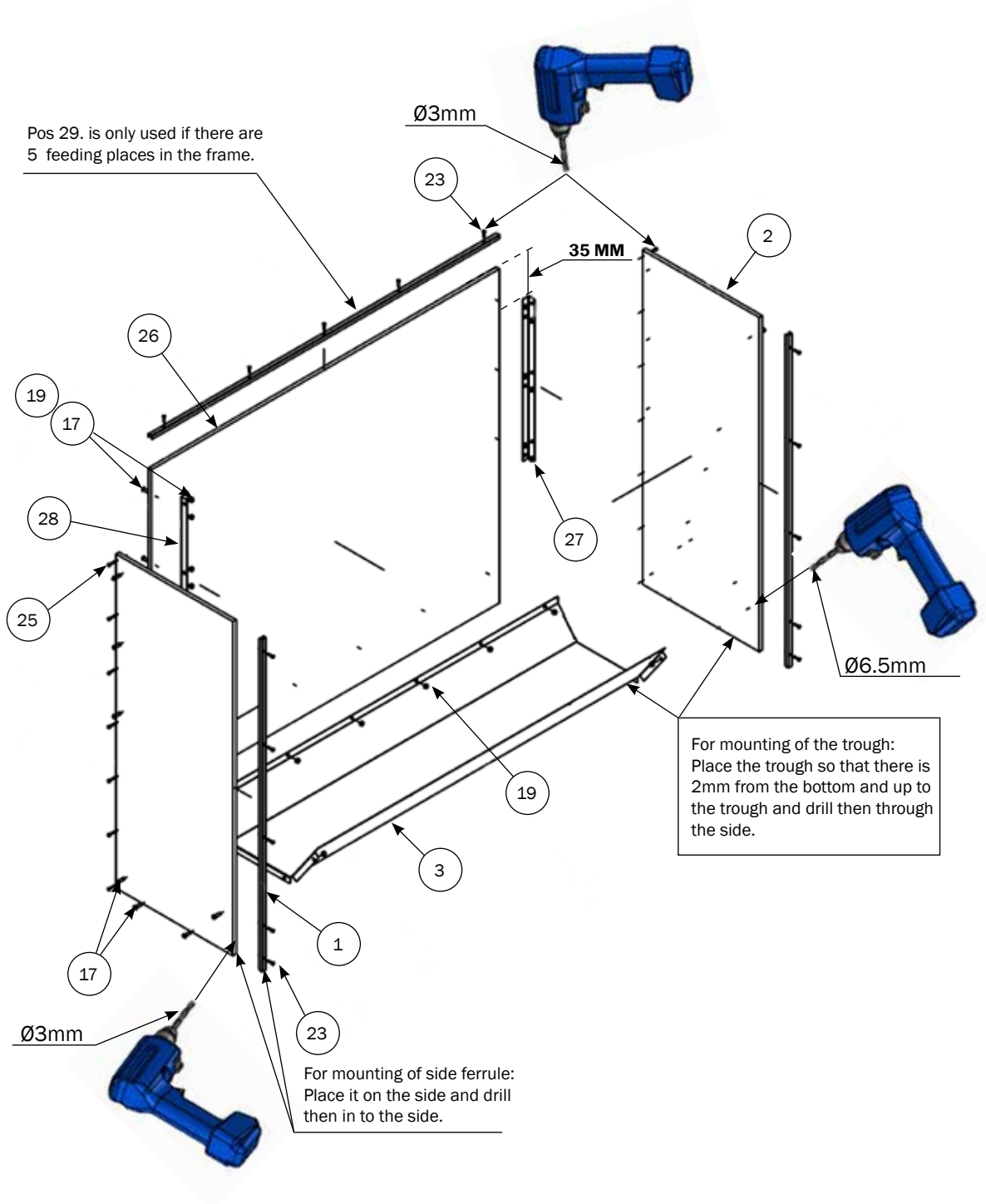
## MOUNTING OF REGULATION KNOBS ON FRONT PLATE

For parts list: look at page 2



# MOUNTING OF SIDE FERRULES AND TROUGH ON BOX FEEDERS

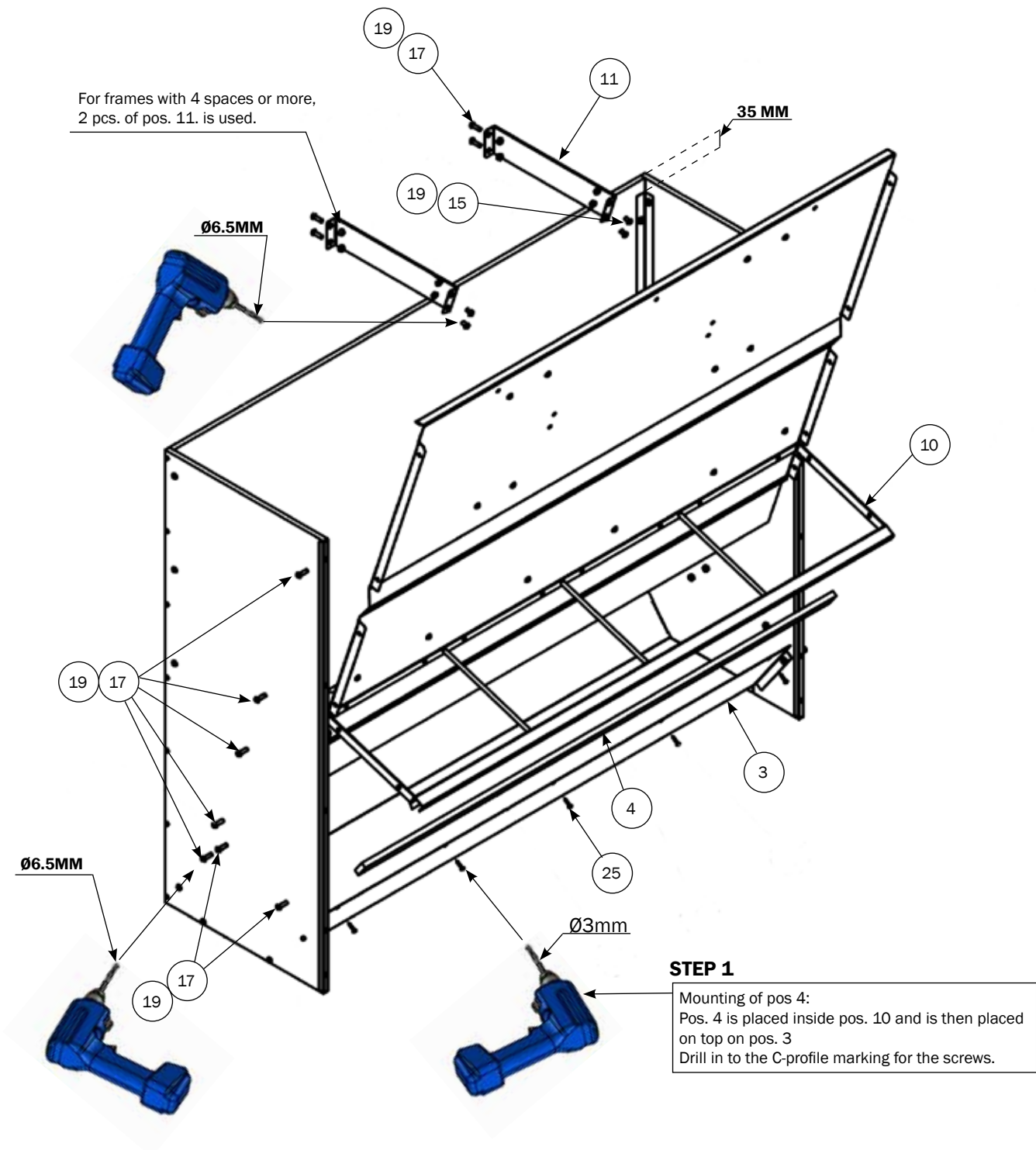
For parts list: look at page 2



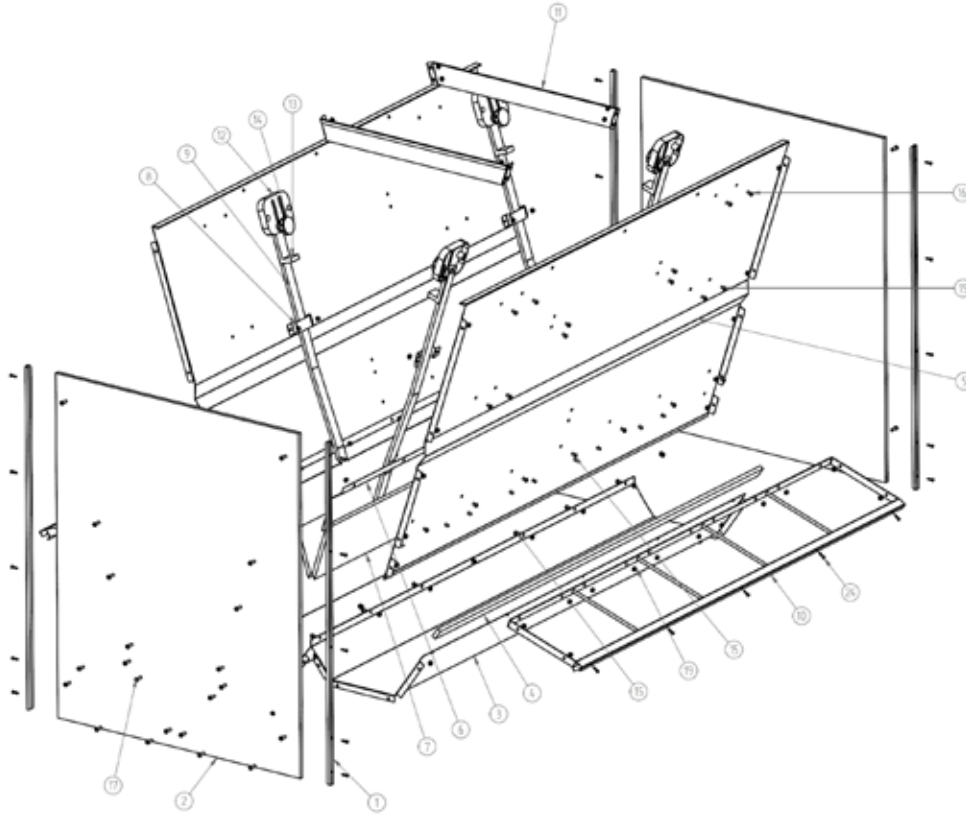


## MOUNTING OF FRONT PLATE ON THE SIDES

For parts list: look at page 2

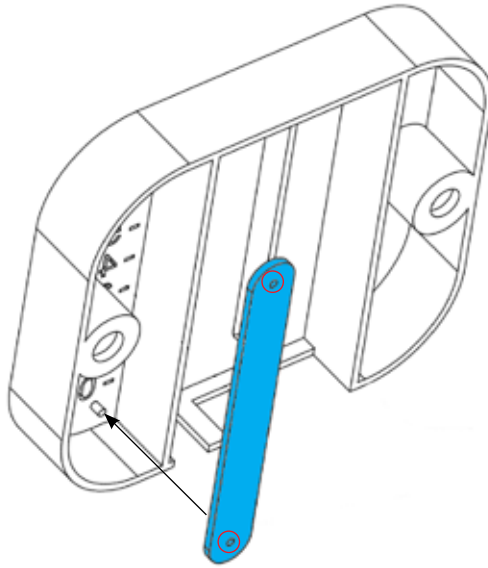


## PARTS LIST FOR DOUBLE BOX FEEDERS - FINISHER



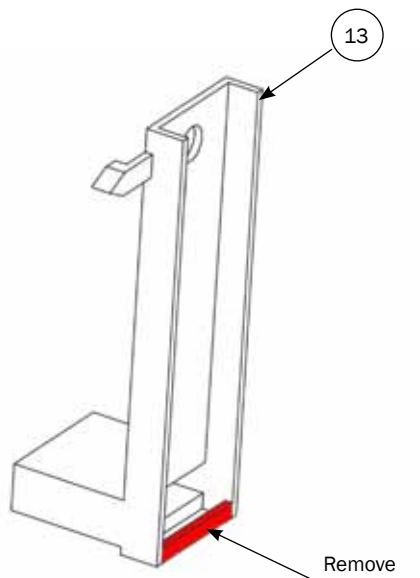
No	ITEM No.				DESCRIPTION
	560072U 2X2 RF TROUGH	560033U 3X2 RF TROUGH	560074U 4X2 RF TROUGH	560075U 5X2 RF TROUGH	
1	4	4	4	4	SIDE FERRULE
2	2	2	2	2	SIDE
3	2	2	2	2	TROUGH
4	2	2	2	2	C-PROFILE INSERT
5	2	2	2	2	FRONT PLATE
6	2	2	2	2	SLIDER PROTECTION
7	2	2	2	2	SLIDER
8	2	2	4	4	GROMMET
9	2	4	4	4	PULLING BAR
10	2	2	2	2	FRAME
11	0	1	2	2	BRACKET
12	2	4	4	4	REGULATION BODY
13	2	4	4	4	REGULATION GAUGE
14	2	4	4	4	REGULATION KNOB
15	23	39	50	57	BUTTON HEAD BOLT ISO 7380 - M6X10MM
16	4	8	8	8	BUTTON HEAD BOLT ISO 7380 - M6X12MM
17	44	44	44	44	BUTTON HEAD BOLT ISO 7380 - M6X20MM
18	2	4	4	4	HEXAGON HEAD BOLT DIN 933 - M8X25MM
19	71	91	102	109	SELF-LOCKING NUT DIN 985 - M6
20	2	4	4	4	SELF-LOCKING NUT DIN 985 - M8
21	4	8	8	8	WASHER DIN 125A - 6.4MM
22	2	4	4	4	WASHER DIN 9021 - 8.4MM
23	26	28	30	30	SCREW 3.5X19MM
24	6	12	12	12	SCREW 4X20MM

## PREPARING OF REGULATION BODY



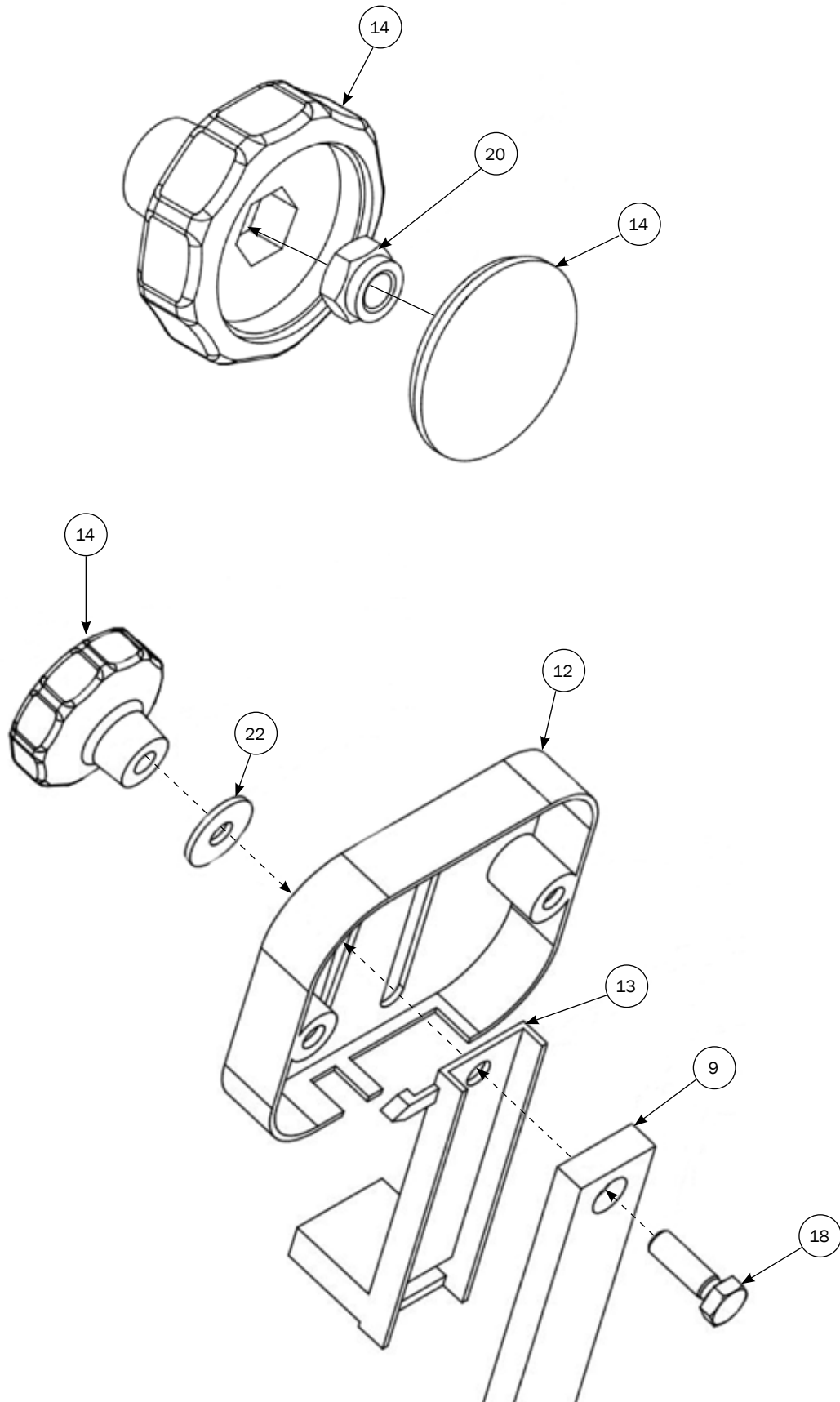
---

## PREPARING OF REGULATION GAUGE



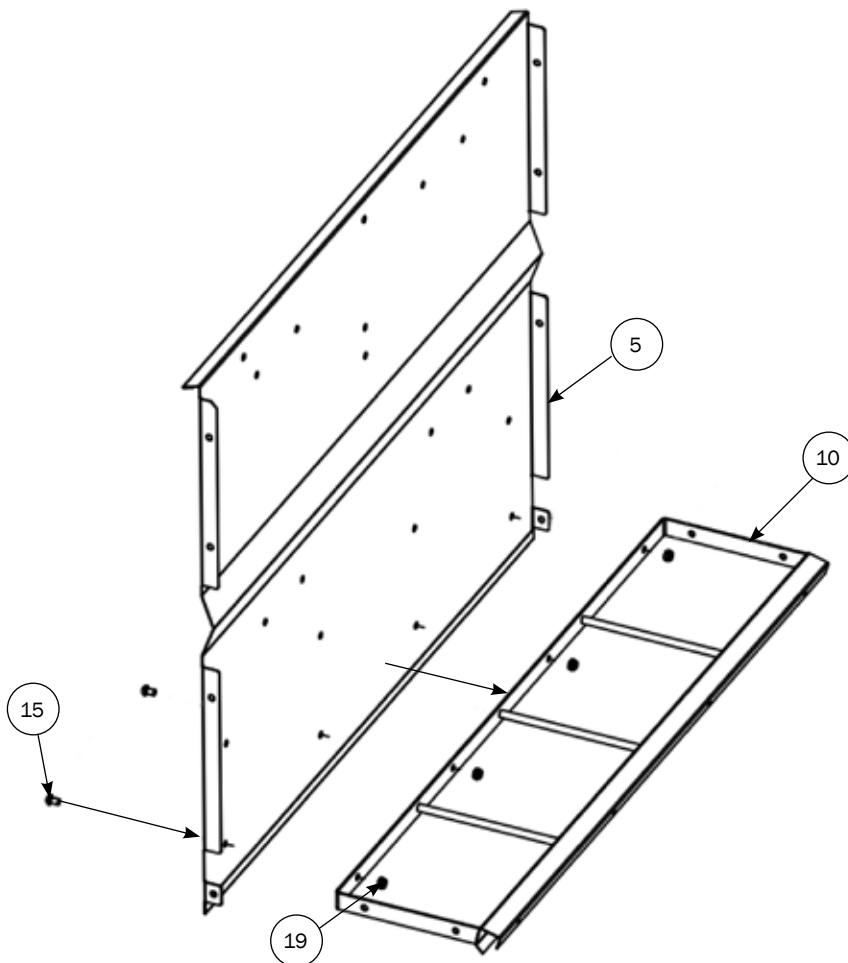
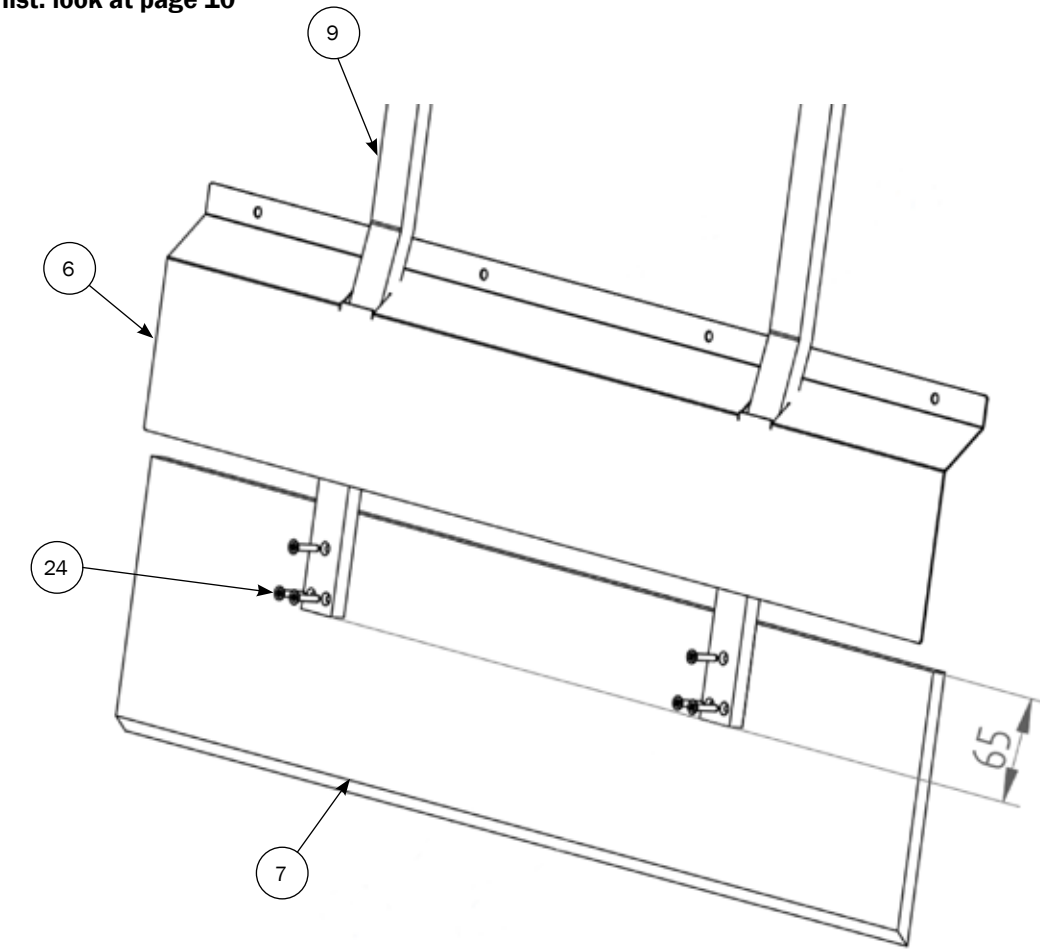
## MOUNTING OF REGULATION KNOB

For parts list: look at page 10



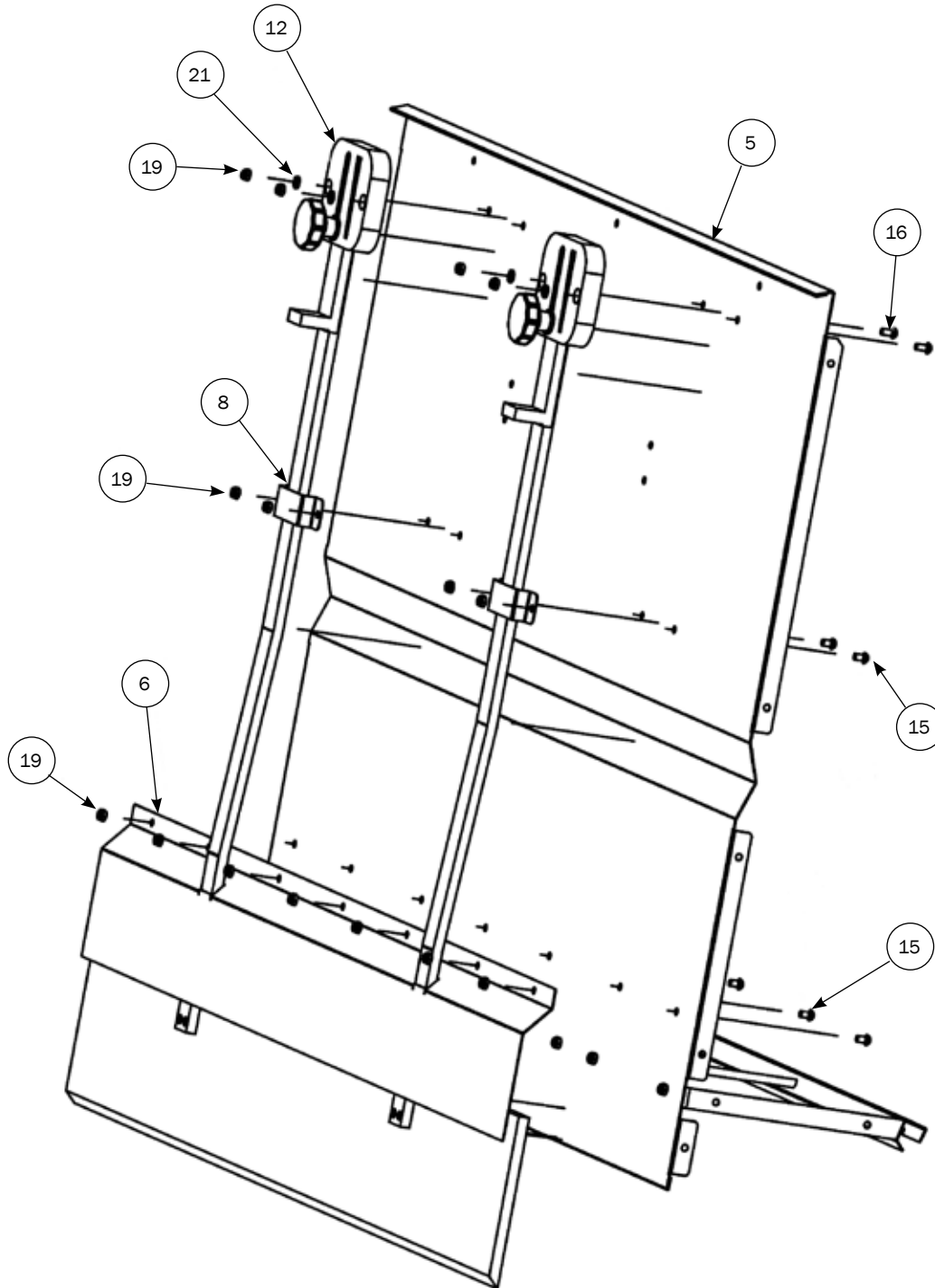
## MOUNTING OF SLIDER AND FRAME

For parts list: look at page 10



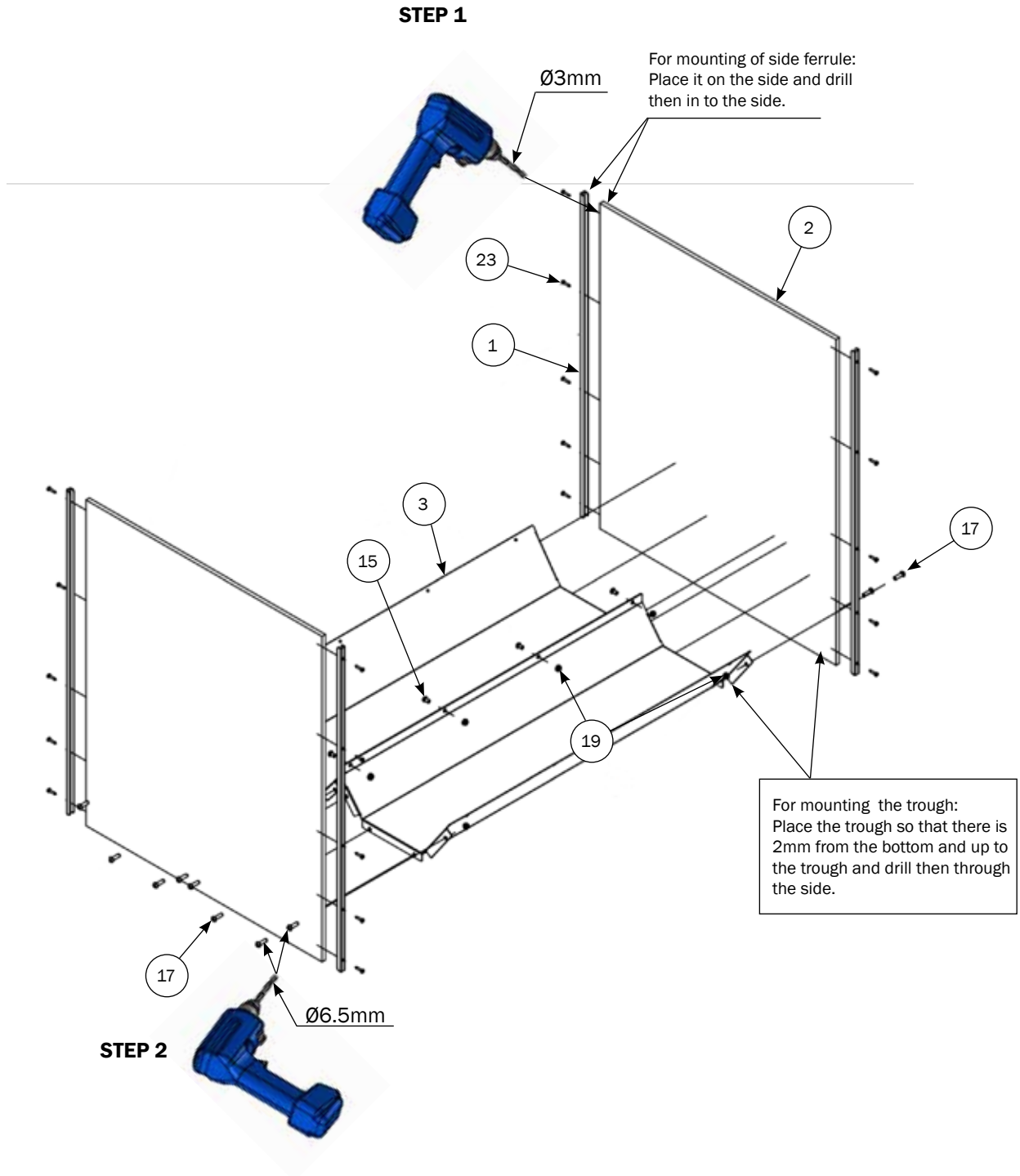
## MOUNTING OF REGULATION KNOBS ON FRONT PLATE

For parts list: look at page 10



# MOUNTING OF FERRULE AND TROUGH ON DOUBLE BOX FEEDERS

For parts list: look at page 10



## MOUNTING OF FRONT PLATES ON THE SIDES

For parts list: look at page 10

