

MOUNTING INSTRUCTION



TURBOMAX FEEDER **WEANERS AND FINISHERS 7-120 KG**



ACO FUNKI A/S
Kirkevænget 5
DK-7400 Herning

Tel. +45 9711 9600
www.acofunki.com
www.egebjerg.com

TURBOMAX - feeding machine for piglets and finishers (7-120 kg)

Assemble 0228-239 (2pcs.) and 0228-238 (1pcs.) together.



0228-239



0228-238

Use screw 433-00 (mounting kit 0228-230) (22pcs.). Start from a both sides 0228-238.

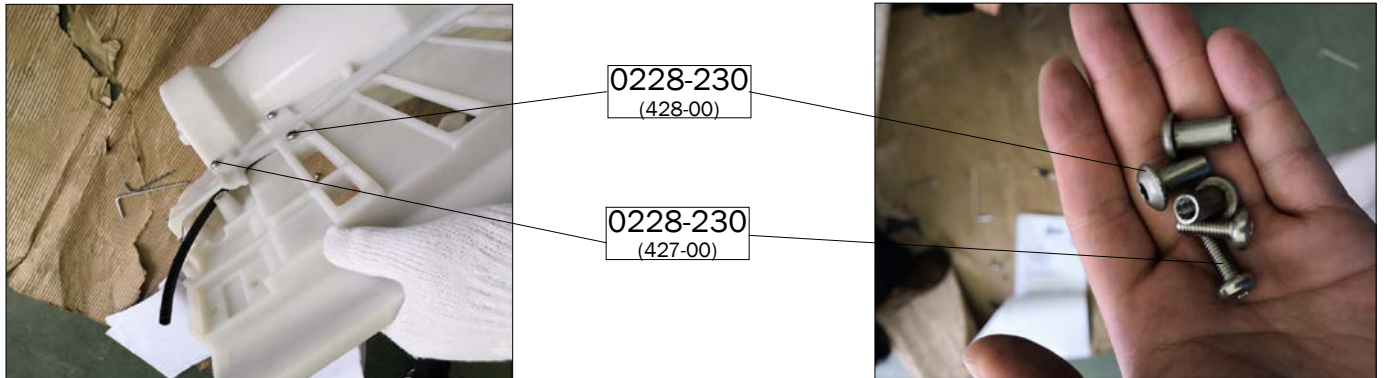


0228-230
(433-00)



TURBOMAX - feeding machine for piglets and finishers (7-120 kg)

Use 427-00 (mounting kit 0228-230) (6pcs.) and 428-00 (mounting kit 0228-230) (6pcs.) to fasten 0228-239 bottom part, fasten tightly.



Insert the 8mm water hose 420-00 (mounting kit 0228-229) (2pcs.).

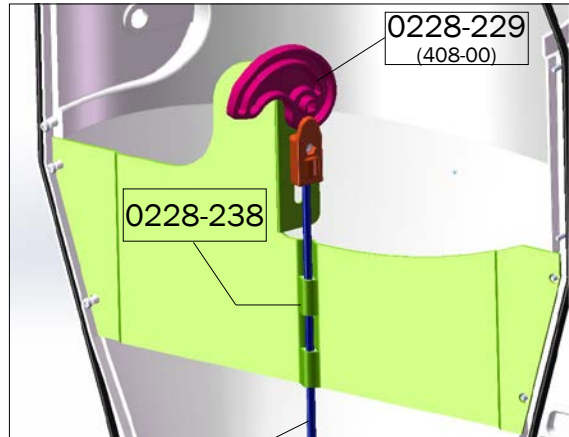


TURBOMAX - feeding machine for piglets and finishers (7-120 kg)

Insert the 0228-235 into the 0228-238.

Assemble the 408-00 (mounting kit 0228-229) on the 0228-238.

Assemble 0228-235 and 408-00 (mounting kit 0228-229) with 429-00 (mounting kit 0228-230), 431-00 (mounting kit 0228-230) and 430-00 (mounting kit 0228-230).



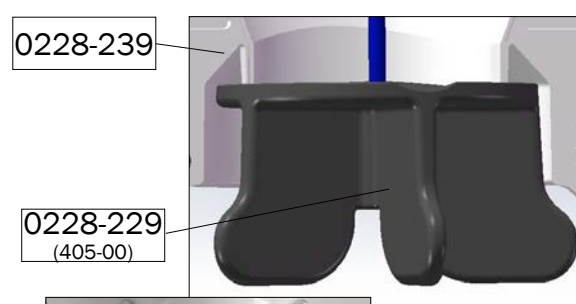
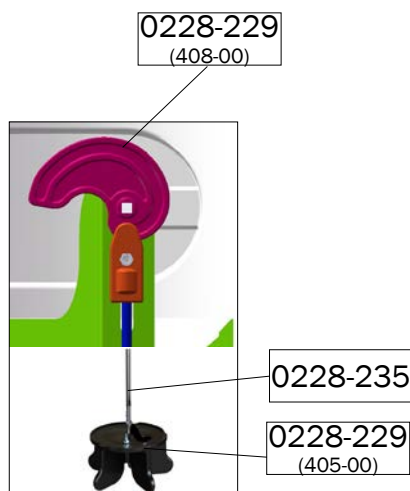
NOTE: 0228-235 must be able to drive freely in 0228-238.

0228-235

Assemble 405-00 (mounting kit 0228-229) on the 0228-235.

Rotate the 408-00 (mounting kit 0228-229) on the closed position.

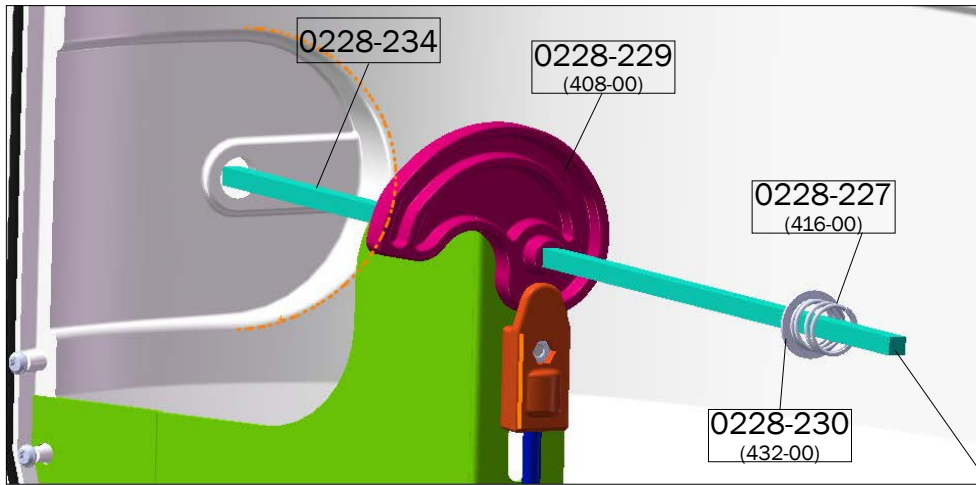
Rough adjusting 405-00 (mounting kit 0228-229). So it just hits 0228-239. Fine adjusted will be later.



TURBOMAX - feeding machine for piglets and finishers (7-120 kg)

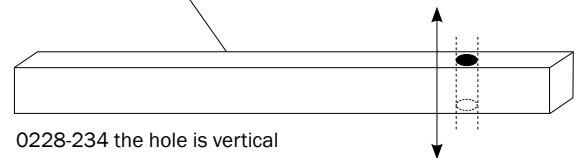
Insert the 0228-234 into the 408-00 (mounting kit 0228-229) in this state.

Assemble the 416-00 (mounting kit 0228-227) and the 432-00 (mounting kit 0228-230) on the 0228-234.

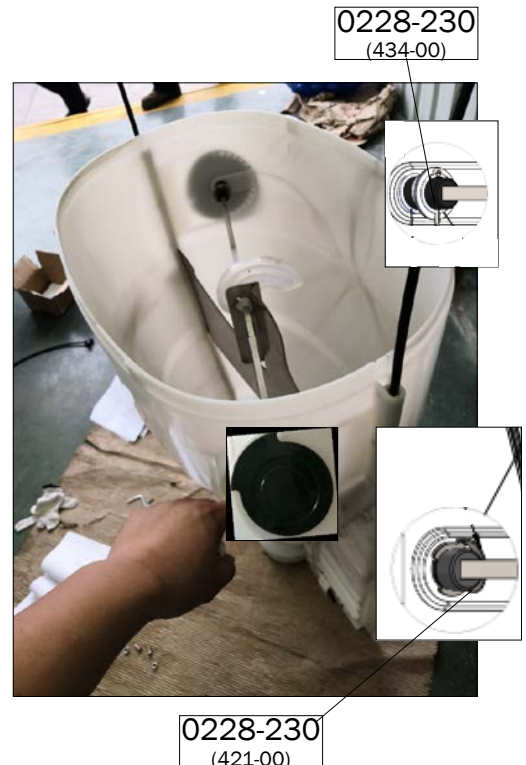


NOTE:

The rod (228-234) is mounted with the hole facing the spring and washer (416-00 and 432-00). The rod must be positioned so that the hole is vertical (see illustration).

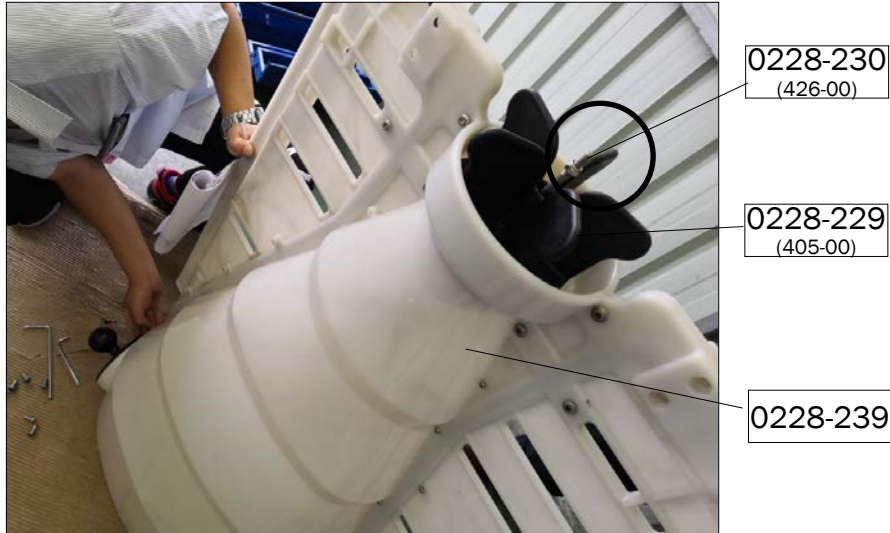


Assemble 407-00 (mounting kit 0228-229) and 414-00 (mounting kit 0228-229). Set the setting lever (407-00) to "0" and check that the plastic screw (405-00) is the lower edge of the white plastic part. 408-00 (mounting kit 0228-229) on the closed position. Assemble 421-00 (mounting kit 0228-230) and 434-00 (mounting kit 0228-229).



TURBOMAX - feeding machine for piglets and finishers (7-120 kg)

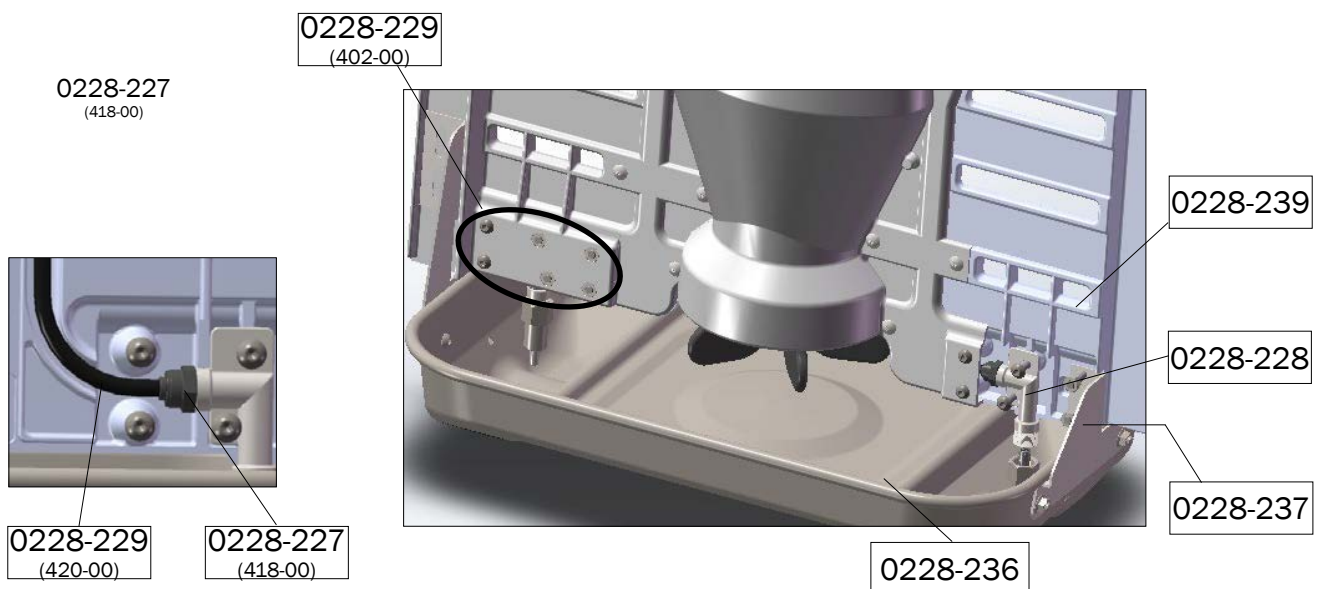
Adjust 426-00 (mounting kit 0228-238), make sure that 405-00 (mounting kit 0228-229) is completely against the 0228-239 bottom, when the handles is in the "0" position.



Assemble 418-00 (mounting kit 0228-227) on the 0228-228.

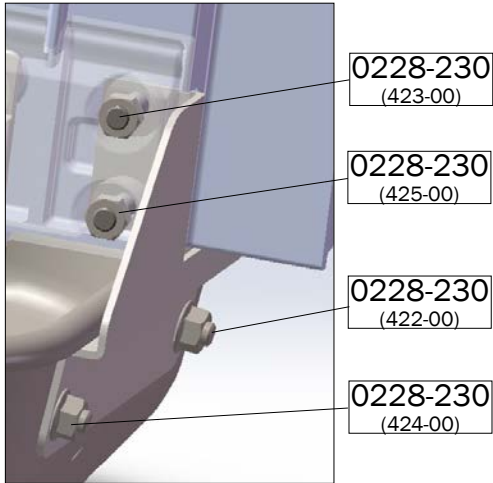
Assemble the 0228-237 and the 402-00 (mounting kit 0228-229) together on the 0228-239 with 423-00 (mounting kit 0228-230) (12pcs.) and 425-00 (mounting kit 0228-230) (12pcs.).

Assemble 0228-237 (2pcs.) on the 0228-236 with 422-00 (mounting kit 0228-230) (4pcs.) and 424-00 (mounting kit 0228-230) (4pcs.).



TURBOMAX - feeding machine for piglets and finishers (7-120 kg)

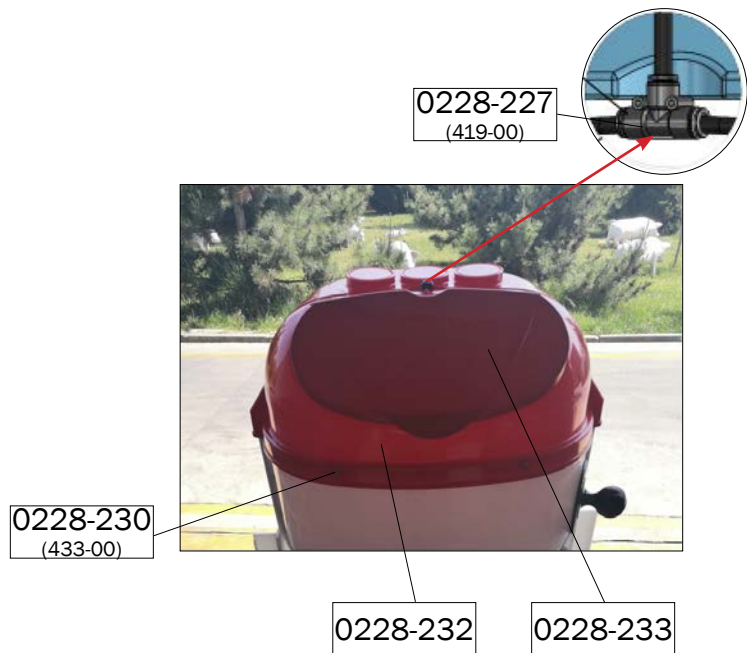
0228-237 Mounted.



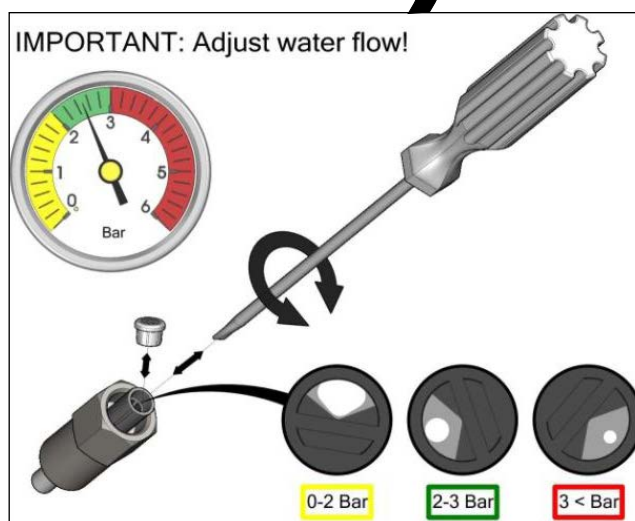
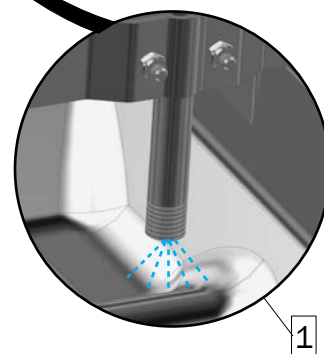
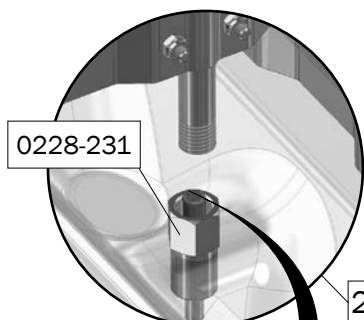
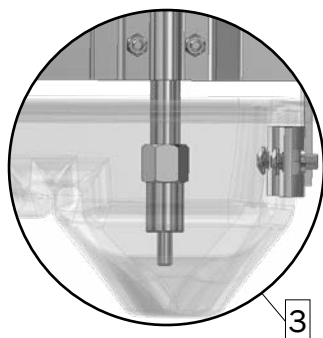
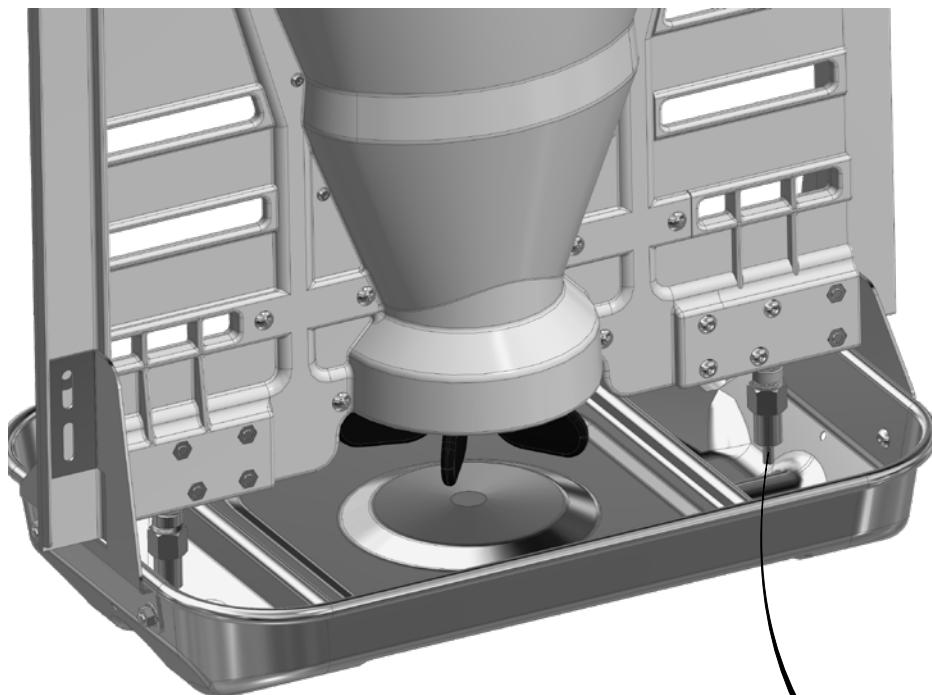
Assemble the 0228-232 and the 0228-239 with 433-00 (mounting kit 0228-230) (4pcs.).

Assemble the 0228-233 and the 0228-232 by click.

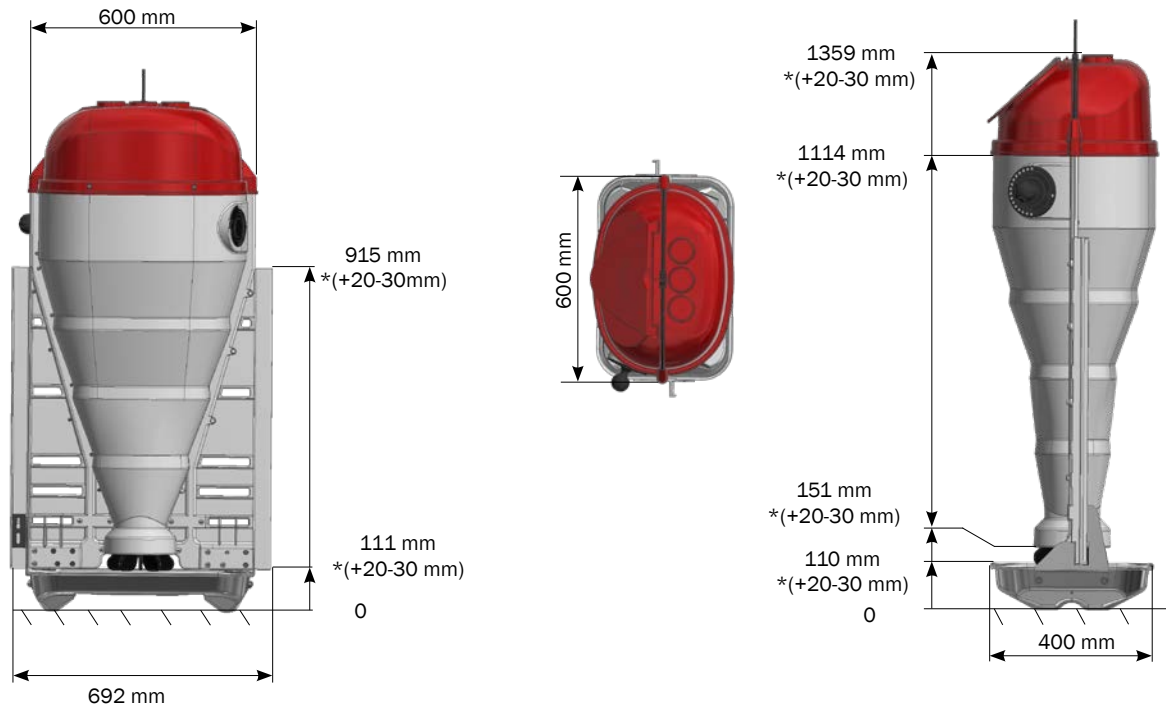
Connect water hose with T-connector 419-00 (mounting kit 0228-227).



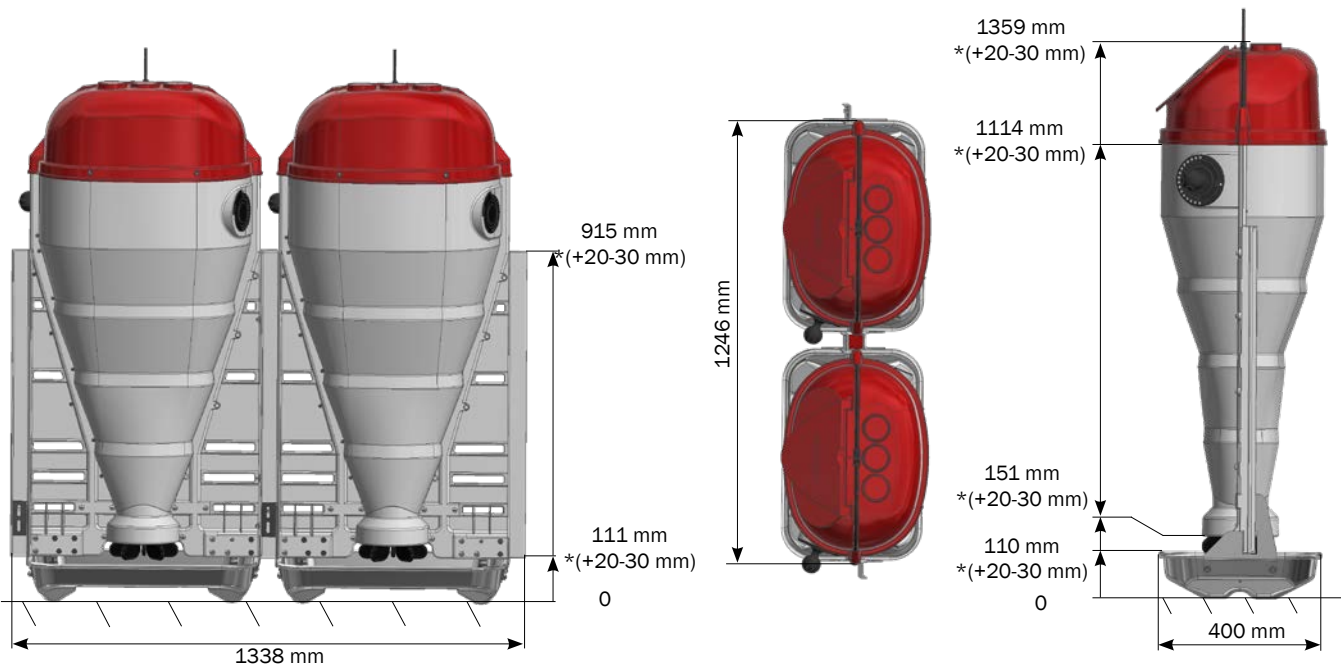
TURBOMAX - feeding machine for piglets and finishers (7-120 kg)



TURBOMAX - feeding machine for piglets and finishers (7-120 kg)



Measurements marked with * apply to finishers (30-120 kg). Rest measurements apply to piglets (7-30 kg).



TURBOMAX - feeding machine for piglets and finishers (7-120 kg)



1 pcs. item no. 0228-236



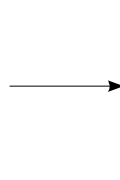
1 pcs. item no. 0228-233



1 pcs. item no. 0228-232








2 pcs. item no. 0228-239




1 set. Item no. 0228-230









Bag no. 1

- 4 pcs. M8*15 item no. 422-00 
- 4 pcs. M8 item no. 424-00 
- 12 pcs. M8*35 item no. 423-00 
- 12 pcs. M8 item no. 425-00 
- 1 pcs. M8 item no. 426-00 







Bag no. 2

- 26 pcs. 4.5*14.5 item no. 433-00 

Bag no. 3


- 1 pcs. item no. 421-00 
- 6 pcs. M6*14 item no. 427-00 
- 6 pcs. M6*14 item no. 428-00 
- 1 pcs. M6*25 item no. 429-00 
- 1 pcs. M6 item no. 430-00 
- 1 pcs. M6 washers item no. 431-00 
- 1 pcs. M18 washers item no. 432-00 
- 1 pcs. 3.2*25 item no. 434-00 


1 set. Item no. 0228-229

- 1 pcs. item no. 414-00 
- 1 pcs. item no. 405-00 
- 1 pcs. item no. 408-00 
- 1 pcs. item no. 407-00 
- 2 pcs. item no. 402-00 
- 2 pcs. item no. 420-00 

1 set. Item no. 0228-227


- 2 pcs. item no. 418-00 
- 1 pcs. item no. 416-00 
- 1 pcs. item no. 419-00 

- 2 pcs. item no. 0228-228 

- 2 pcs. item no. 0228-231 

- 1 pcs. item no. 0228-234 

- 1 pcs. item no. 0228-235 

- 2 pcs. item no. 0228-237 

- 1 pcs. item no. 0228-238 