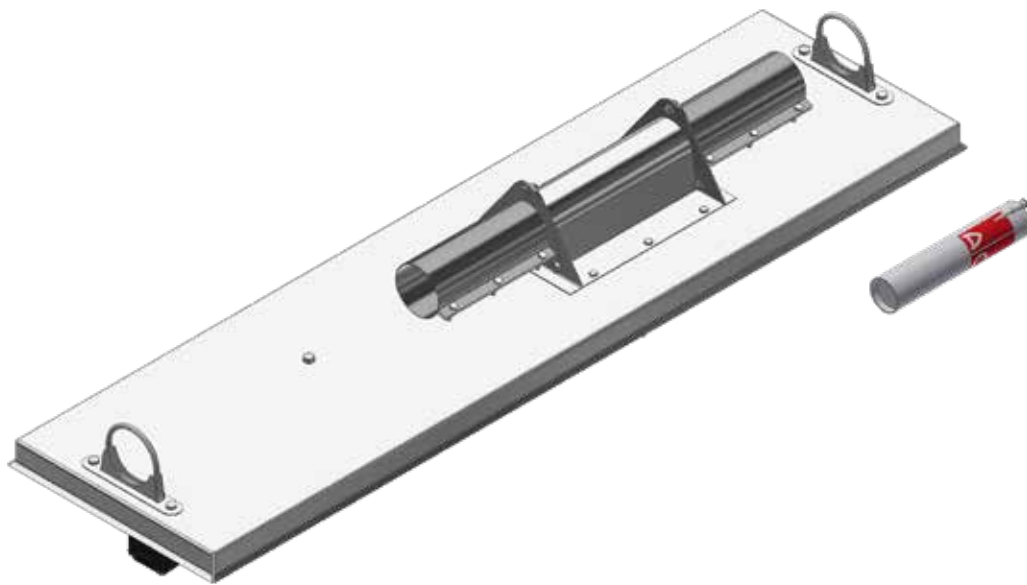


# MOUNTING INSTRUCTION



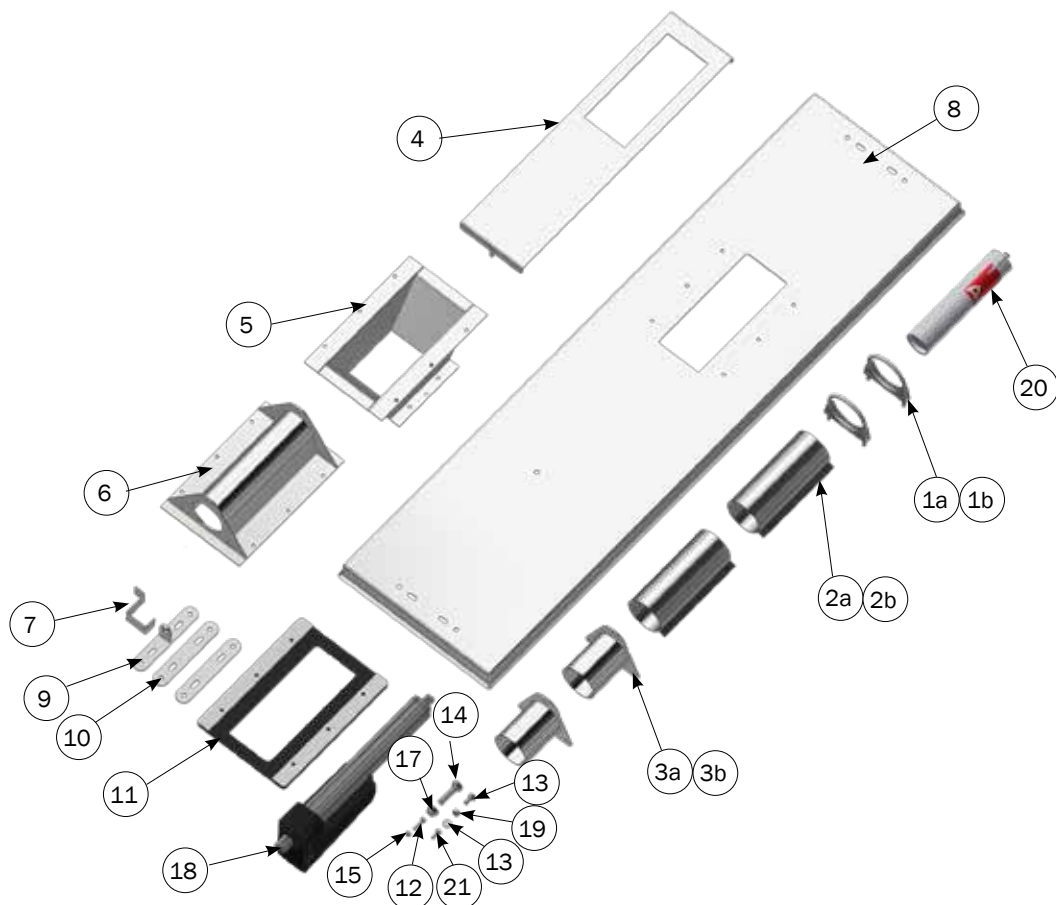
## PIPE DRAIN 60mm and 76mm



**ACO FUNKI A/S**  
Kirkevænget 5  
DK-7400 Herning

Tel. +45 9711 9600  
[www.acofunki.com](http://www.acofunki.com)  
[www.egebjerg.com](http://www.egebjerg.com)

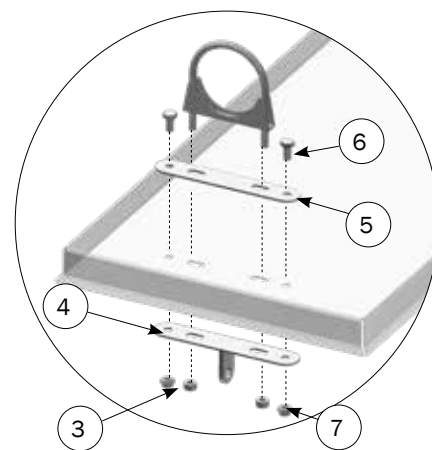
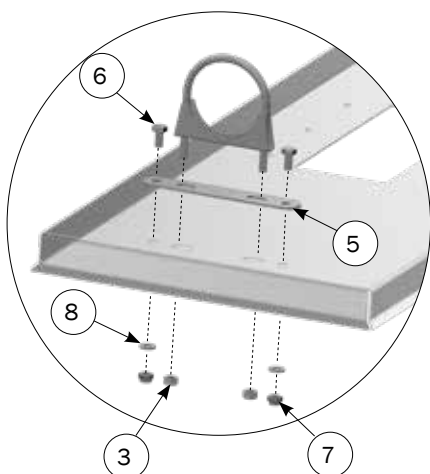
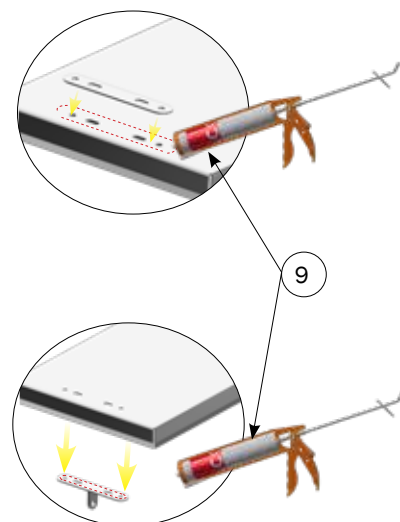
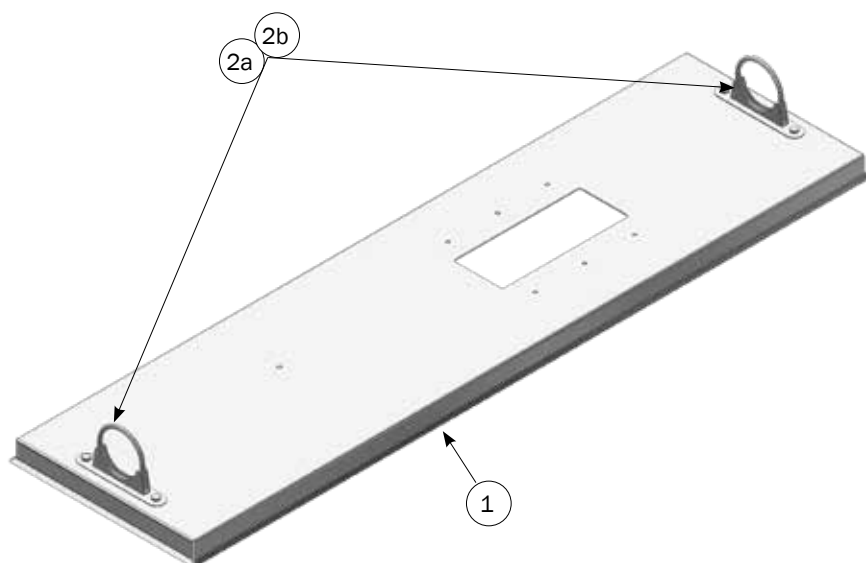
## Overview



Parts list

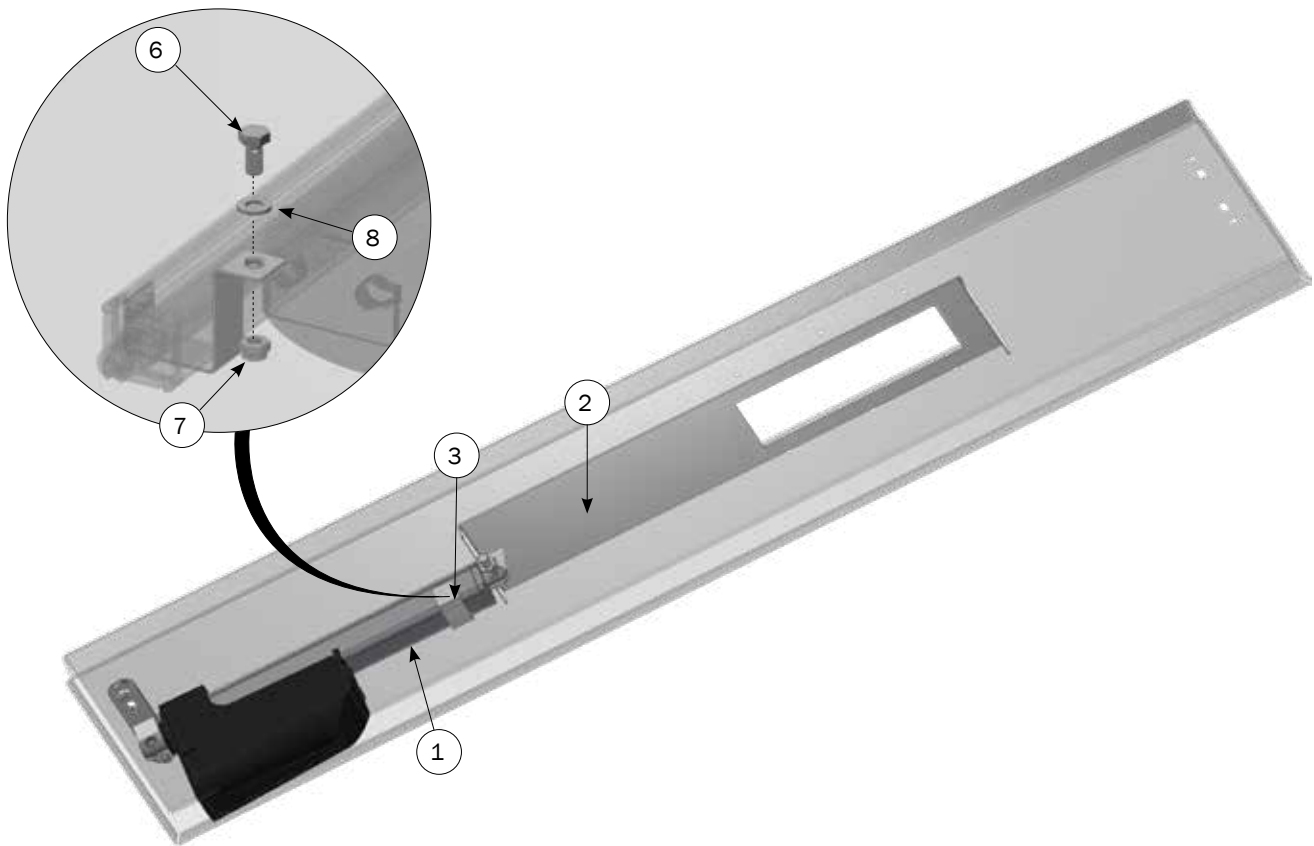
	Part NO.	Description	Pcs.
a	0170-150	PIPE DRAIN WITH ACTUATOR 60 MM FOR OUTSIDE USE	
b	0170-156	PIPE DRAIN WITH ACTUATOR 76 MM FOR OUTSIDE USE	
1a	39900103	CLAMP SET Ø60	2
1b	39900105	CLAMP SET Ø76	2
2a	86100	UNION CONNECTOR 60 MM FEEDINGPIPE COMPLET	2
2b	86137	UNION CONNECTOR 76 MM FEEDINGPIPE COMPLET	2
3a	0211-822	OUTLET 60 MM FOR MAXI DRIVE UNIT	2
3b	0211-827	OUTLET 76 MM FOR DRIVE UNIT	2
4	0170-142	DAMPER FOR PIPE DRAIN WITH ACTUATOR	1
5	0170-144	TRANSITION PIPE DRAIN WITH ACTUATOR TO STANDARD FLANGE	1
6	0170-148	PIPE DRAIN FOR 60 AND 76 MM	1
7	0170-151	ANGLED BRACKET FOR ACTUATOR	1
8	0170-152	COVER PLATE FOR PIPE DRAIN STAINLESS STEEL	1
9	0170-154	BACK FIXATION OF ACTUATOR	1
10	0170-155	BRACKET FOR PIPE DRAIN	2
11	8470194	SLIDE PLATE FOR DAMPER	1
12	30306025	SET SCREW M6X25 A2 DIN 933	6
13	30308016	SET SCREW M8X16 A2 DIN 933	11
14	30312045	SET SCREW M12X45 A2 DIN 933	2
15	33596010	LOCK NUT M6 A2 DIN 985 WAXED	10
16	33908001	LOCK NUT M8 A2 DIN 985 WAXED	11
17	33912000	LOCK NUT M12 A2 DIN 985 WAXED	2
18	75233250	LA33 ACTUATOR STROKE LENGTH 250 MM	1
19	35600037	FLAT WASHER Ø8.4X16X1.6 MM A2 DIN 125A	3
20	29100028	SIKAFLEX-HP-1 310ML	1
21	30306016	SET SCREW M6X16 A2 DIN 933	4

# Assembly

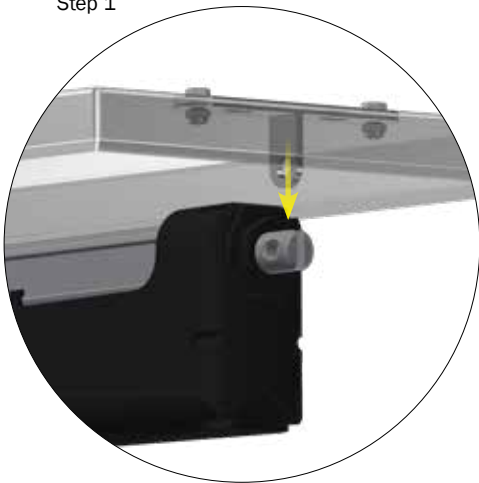


Parts list			
	Part NO.	Description	Pcs.
1	0170-152	COVER PLATE FOR PIPE DRAIN STAINLESS STEEL	1
2a	39900103	CLAMP SET Ø60	2
2b	39900105	CLAMP SET Ø76	2
3	33208013	NUT M8 BZP DIN 934	4
4	0170-154	BACK FIXATION OF ACTUATOR	1
5	0170-155	BRACKET FOR PIPE DRAIN	2
6	30308016	SET SCREW M8X16 A2 DIN 933	4
7	33908001	LOCK NUT M8 A2 DIN 985 WAXED	4
8	35600037	FLAT WASHER Ø8.4X16X1.6 MM A2 DIN 125A	2
9	29100028	SIKAFLEX-HP-1 310ML	1

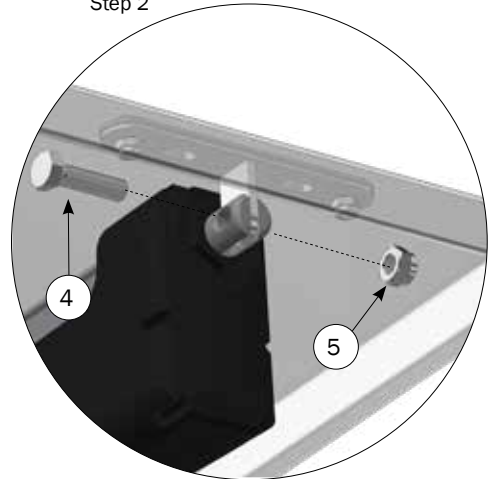
# Assembly



Step 1



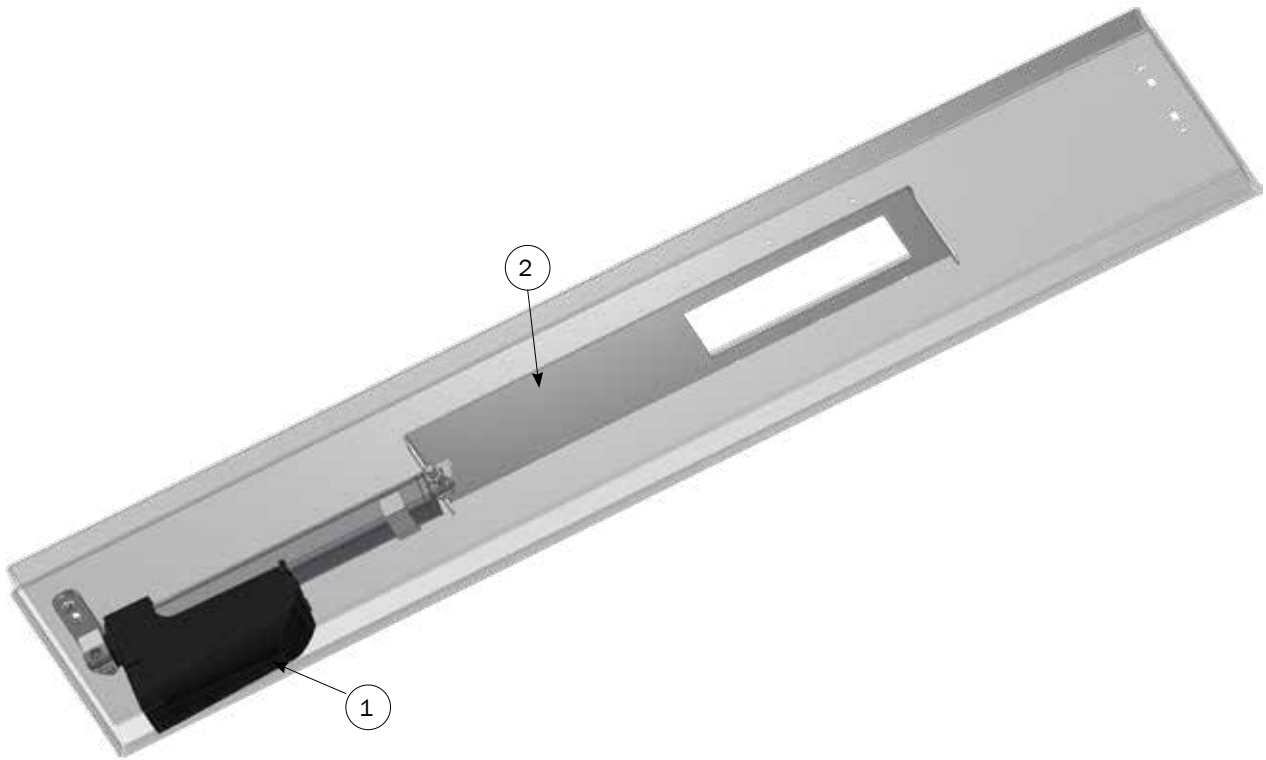
Step 2



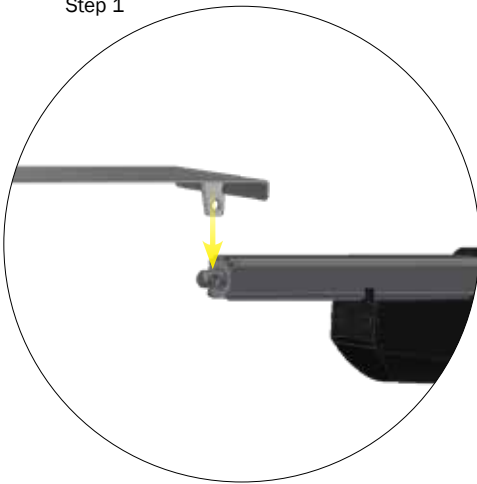
## Parts list

	Part NO.	Description	Pcs.
1	75233250	LA33 ACTUATOR STROKE LENGTH 250 MM	1
2	0170-142	DAMPER FOR PIPE DRAIN WITH ACTUATOR	1
3	0170-151	ANGLED BRACKET FOR ACTUATOR	1
4	30312045	SET SCREW M12X45 A2 DIN 933	2
5	33912000	LOCK NUT M12 A2 DIN 985 WAXED	2
6	30308016	SET SCREW M8X16 A2 DIN 933	1
7	33908001	LOCK NUT M8 A2 DIN 985 WAXED	1
8	35600037	FLAT WASHER Ø8.4X16X1.6 MM A2 DIN 125A	1

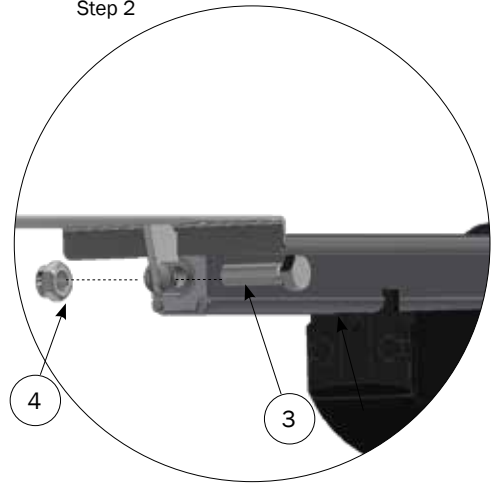
# Assembly



Step 1

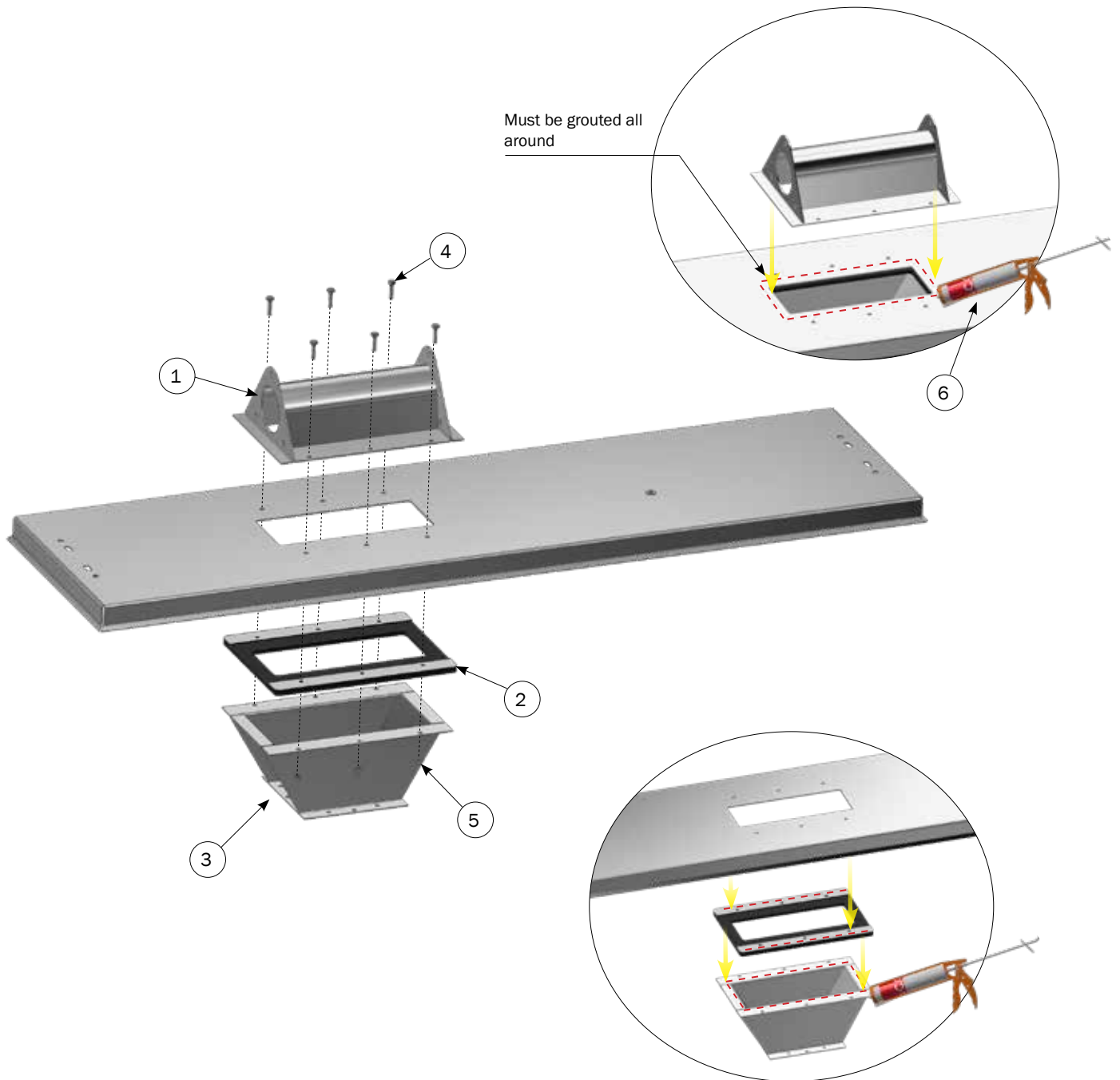


Step 2



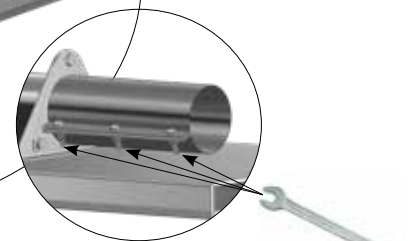
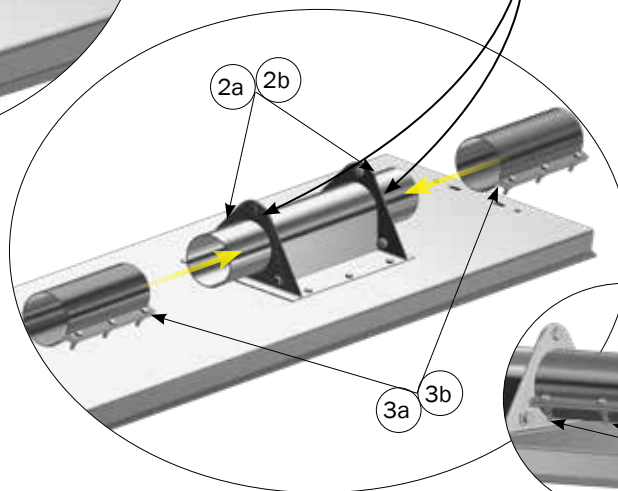
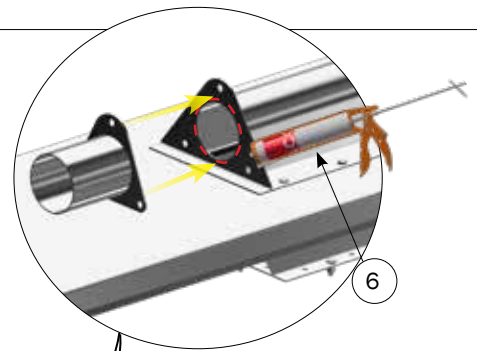
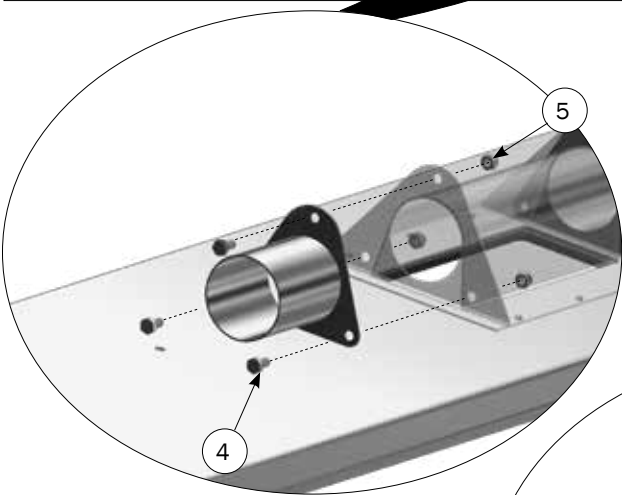
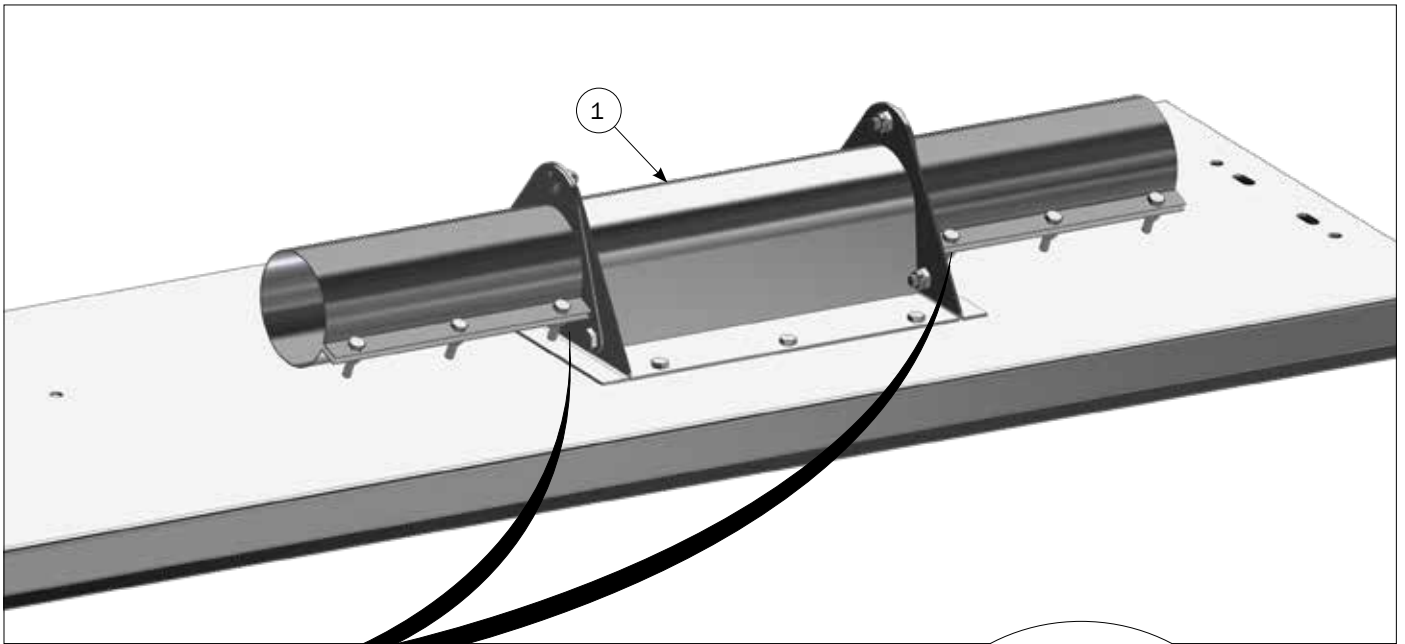
Parts list			
	Part NO.	Description	Pcs.
1	75233250	LA33 ACTUATOR STROKE LENGTH 250 MM	1
2	0170-142	DAMPER FOR PIPE DRAIN WITH ACTUATOR	1
3	30312045	SET SCREW M12X45 A2 DIN 933	2
4	33912000	LOCK NUT M12 A2 DIN 985 WAXED	2

# Assembly



Parts list			
	Part NO.	Description	Pcs.
1	0170-148	PIPE DRAIN FOR 60 AND 76 MM	1
2	8470194	SLIDE PLATE FOR DAMPER	1
3	0170-144	TRANSITION PIPE DRAIN WITH ACTUATOR TO STANDARD FLANGE	1
4	30306025	SET SCREW M6X25 A2 DIN 933	6
5	33596010	LOCK NUT M6 A2 DIN 985 WAXED	6
6	29100028	SIKAFLEX-HP-1 310ML	1

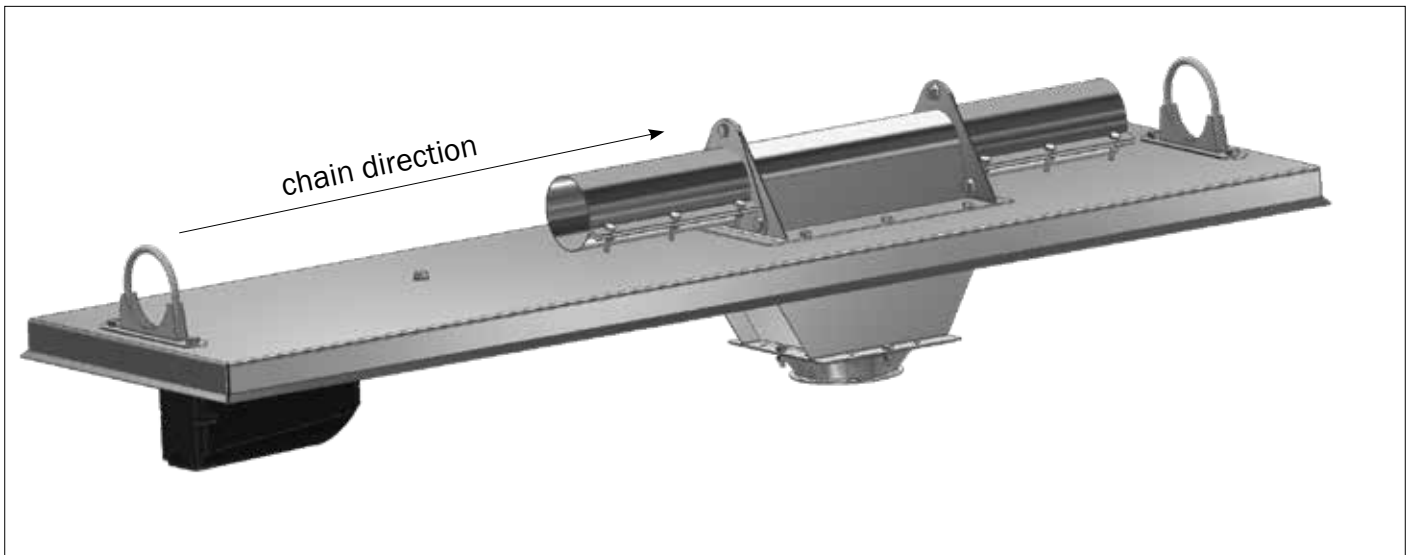
# Assembly



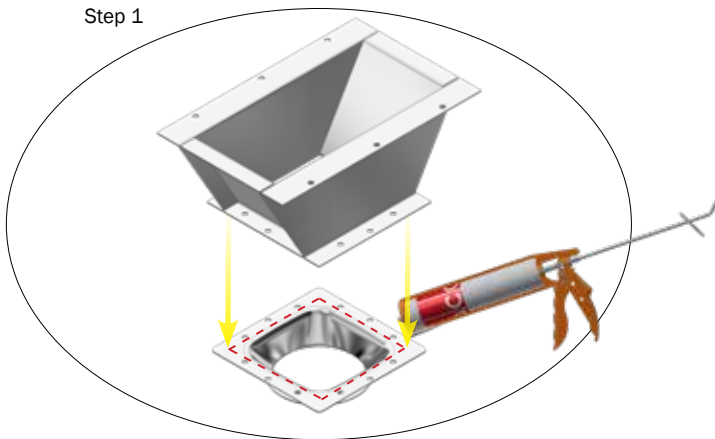
Tighten so that the union connector does not slide on the transport pipe.

Parts list			
	Part NO.	Description	Pcs.
1	0170-148	PIPE DRAIN FOR 60 AND 76 MM	1
2a	0211-822	OUTLET 60 MM FOR MAXI DRIVE UNIT	2
2b	0211-827	OUTLET 76 MM FOR DRIVE UNIT	2
3a	86100	UNION CONNECTOR 60 MM FEEDINGPIPE COMPLET	2
3b	86137	UNION CONNECTOR 76 MM FEEDINGPIPE COMPLET	2
4	30308016	SET SCREW M8X16 A2 DIN 933	6
5	33908001	LOCK NUT M8 A2 DIN 985 WAXED	6
6	29100028	SIKAFLEX-HP-1 310ML	1

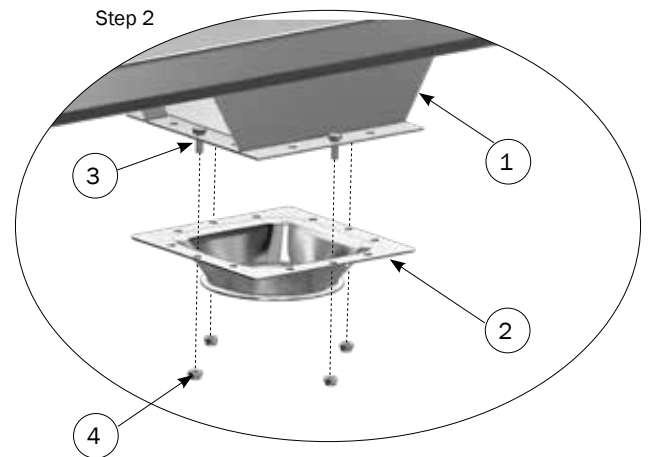
# Assembly



Step 1



Step 2



## Parts list

	Part NO.	Description	Pcs.
1	0170-144	TRANSITION PIPE DRAIN WITH ACTUATOR TO STANDARD FLANGE	1
2	0170-158	TRANSITION STANDARD FLANGE TO Ø100	1
3	30306016	SET SCREW M6X16 A2 DIN 933	4
4	33596010	LOCK NUT M6 A2 DIN 985 WAXED	4



## Extra accessories



Parts list		
	Part NO.	Description
1	0170-158	TRANSITION STANDARD FLANGE TO Ø100
2	06410000	CYLINDRICAL TUBE Ø100X0,5 M
3	06410001	CYLINDRICAL TUBE Ø100X1,0 M F.B
4	06410009	TIGHTENINGRING I - 100 MM, NARROW
5		HEXAGON SOCKET HEAD SCREW M5X35
6	33505008	NUT M5 A2 DIN 934

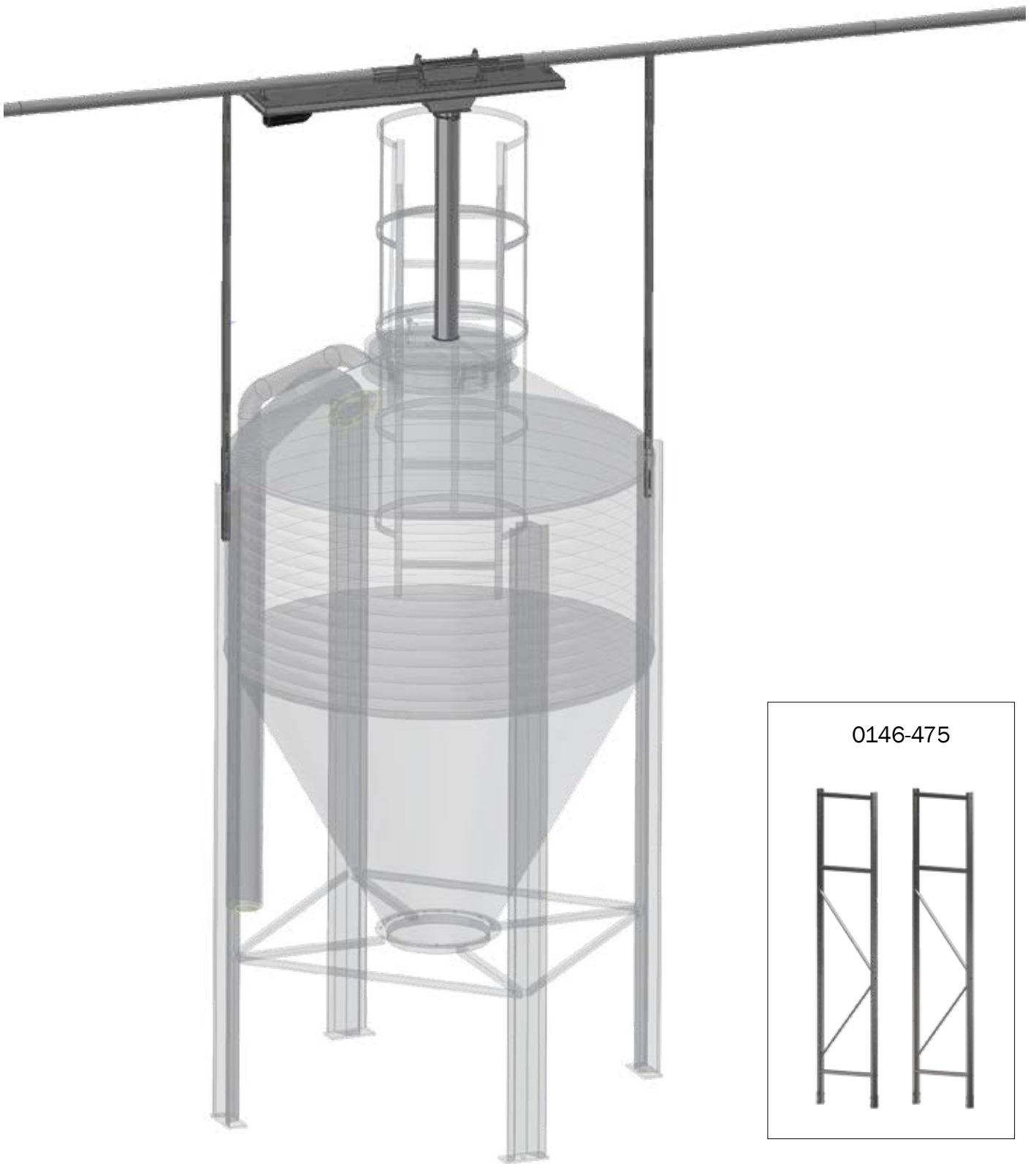


Parts list		
	Part NO.	Description
1	0214-107	CONVEYOR TUBE Ø60 LENGTH 6 METER
2	0170-076	CONVEYOR TUBE Ø76 LENGTH 6 METER



Parts list		
	Part NO.	Description
1	0146-317	PIPE FITTING KIT FOR Ø60
2	0170-507	PIPE FITTING KIT FOR Ø76

## Support feeding system



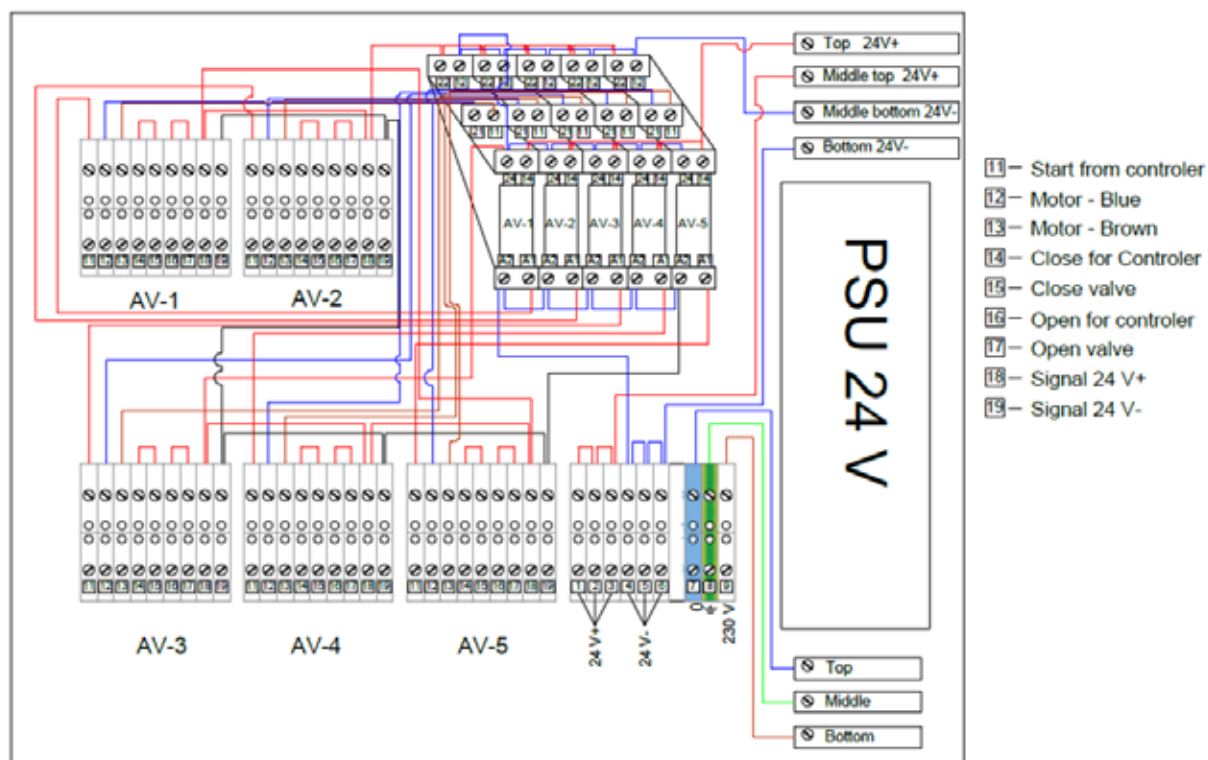
It is recommended to use a support post (silo), or outdoor support feeding system (foundation), to avoid breaking of transport pipes.

## The EI-diagram



0170-770

A relay box actuator valves can control 5 pcs. bottlers.



The EI-diagram for control.

