

# REPLACEMENT INSTRUCTION

## Necessary tools:

6 mm Allen key,  
13 and 14 mm Spanner  
Cutters  
Large straight slot screwdriver  
Hammer  
3/8 Drive Ratchet

Complete dosing kit for VI+  
Article nr. 76262

For upgrading TUBE-O-MAT® VIP,  
should be used new adjustment  
bar article nr. 72235



FUNKI | EGEBJERG



## TUBE-O-MAT® VI+ DOSING KIT



ACO FUNKI A/S

Kirkevænget 5  
DK-7400 Herning

Tel. +45 9711 9600

Fax +45 9711 9677

www.acofunki.com

FUNKI

## Disassembly of VIP dosing unit:



Detach the feeding tube (to the left).



If it is not possible, release unit by cutting over adjustment bar with bolt cutter, as alternative use grinder.



Remove 8 mm locking nut and screw feeding dispenser plate out (to the left).



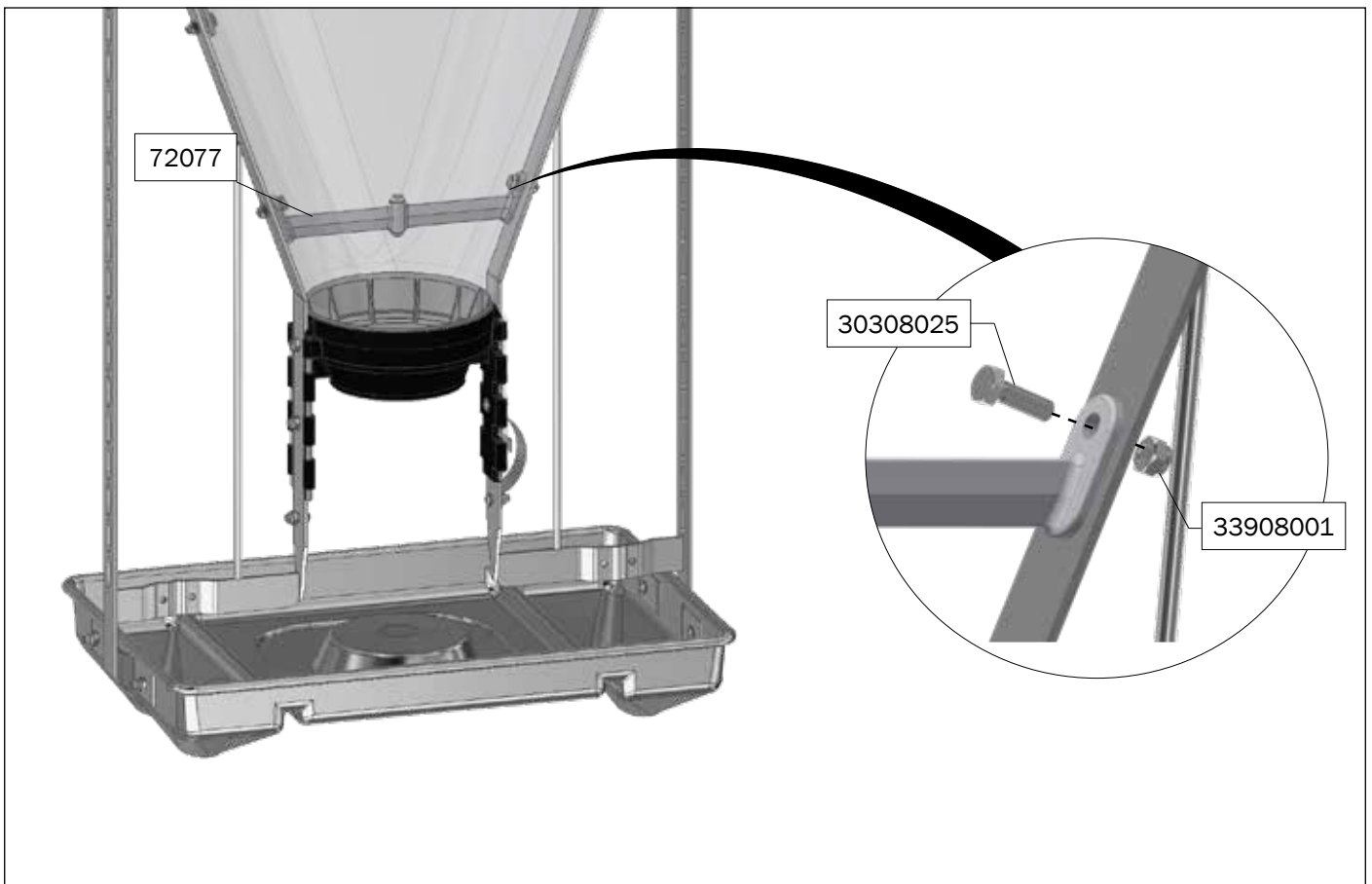
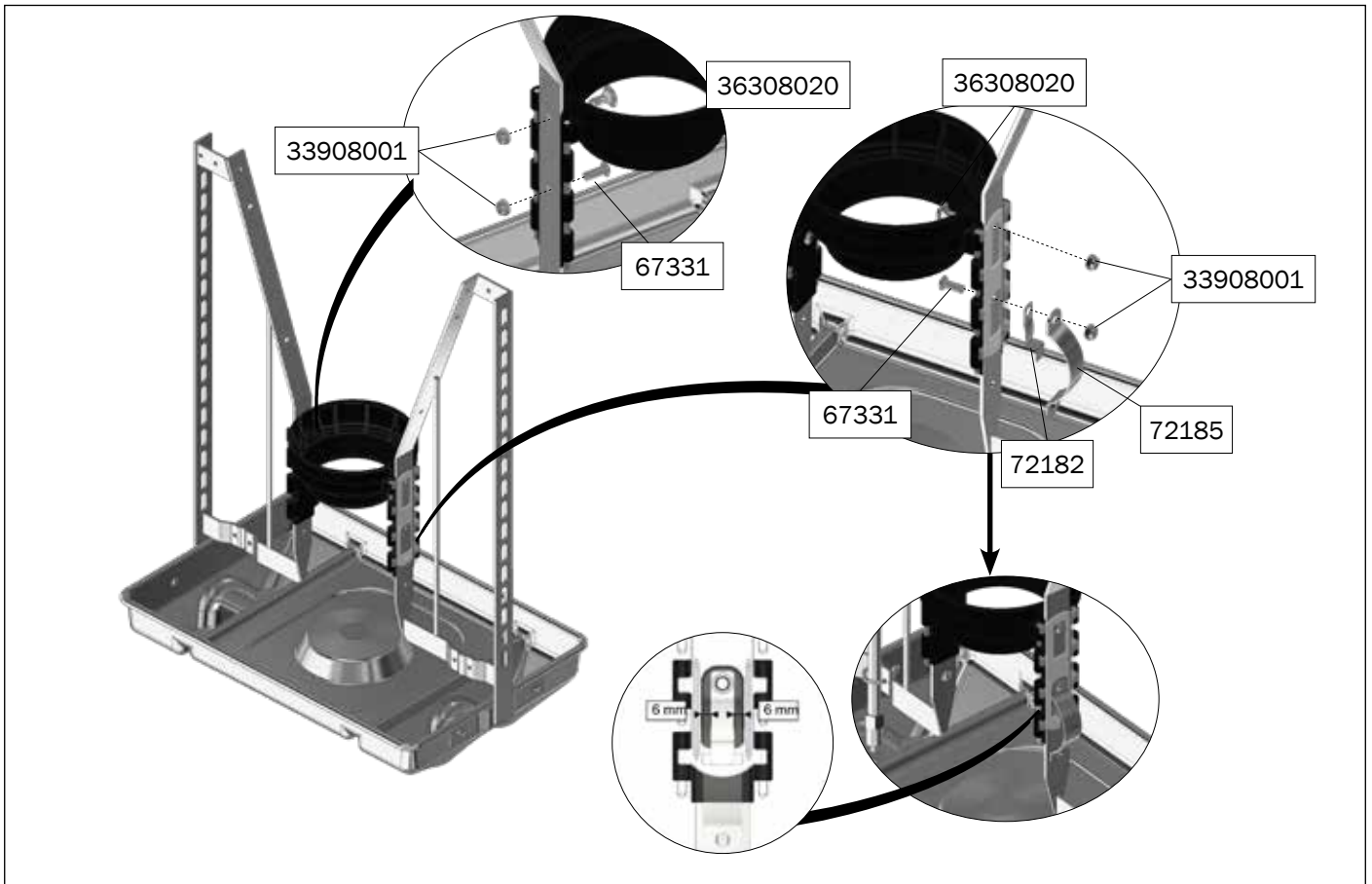
Remove flat iron clamp.



Remove 8 mm nut and push bolts in. Then, release the collar as it is shown, with the big flat screwdriver. As alternative solution - hit bolts out using hammer and punch.



Remove adjustable bar.





Assemble new adjustment bar.

