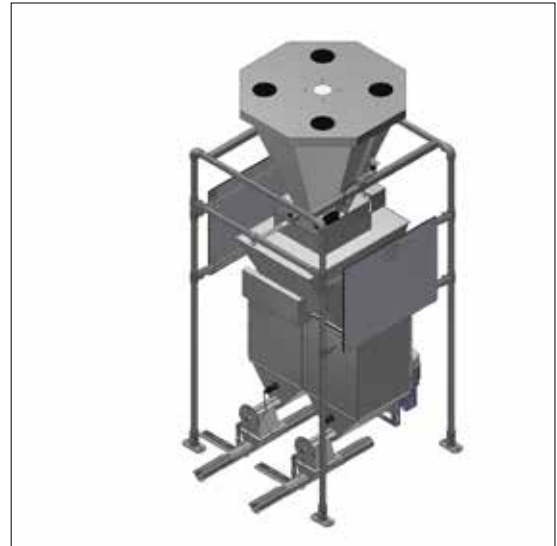
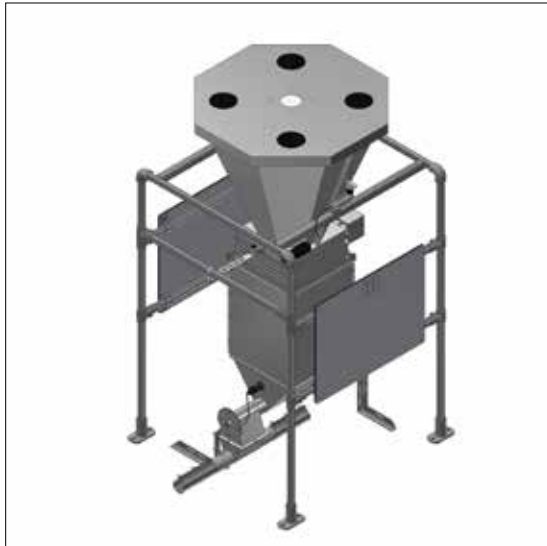
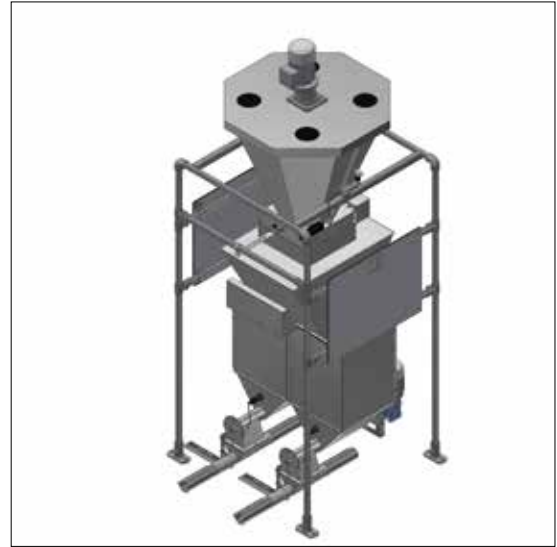


MOUNTING INSTRUCTION



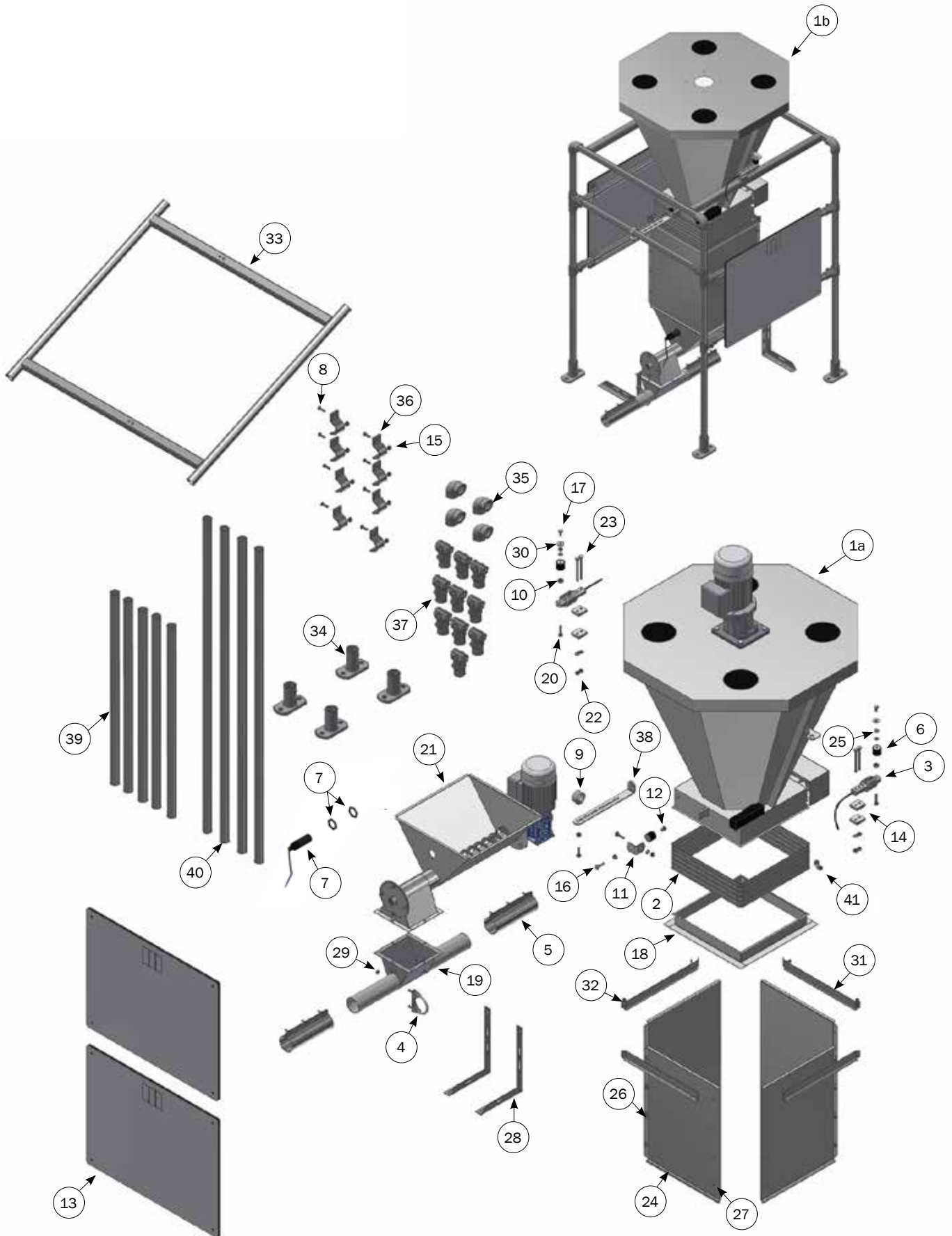
FUNKI SINGLE DRY 1 and 2 pipelines



ACO FUNKI A/S
Kirkevænget 5
DK-7400 Herning

Tel. +45 9711 9600
www.acofunki.com
www.egebjerg.com

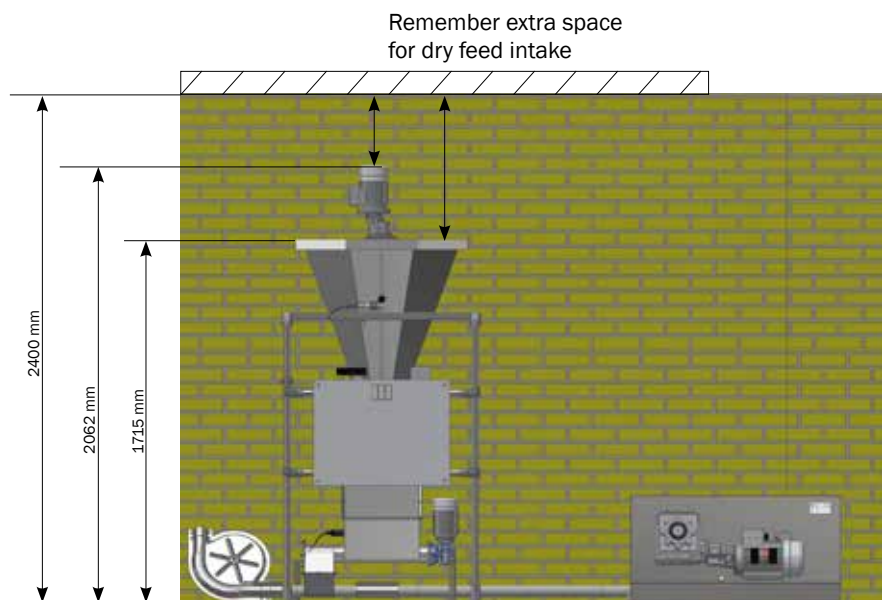
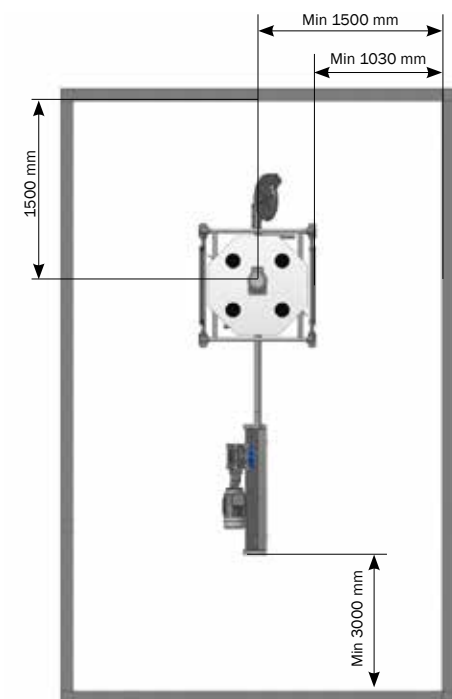
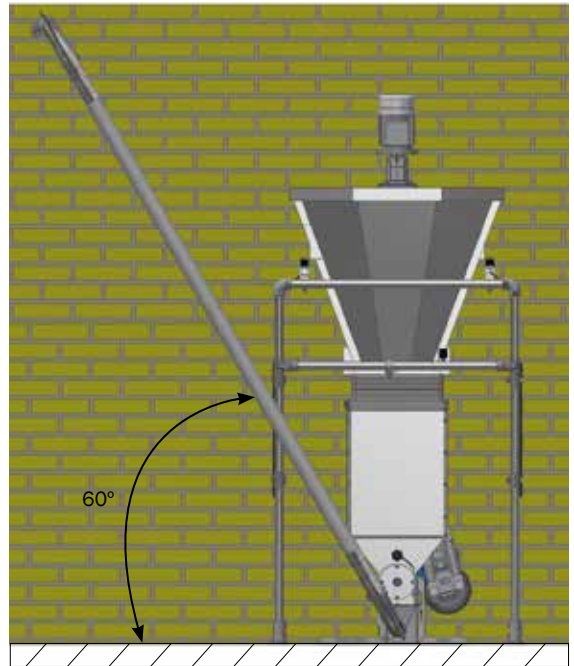
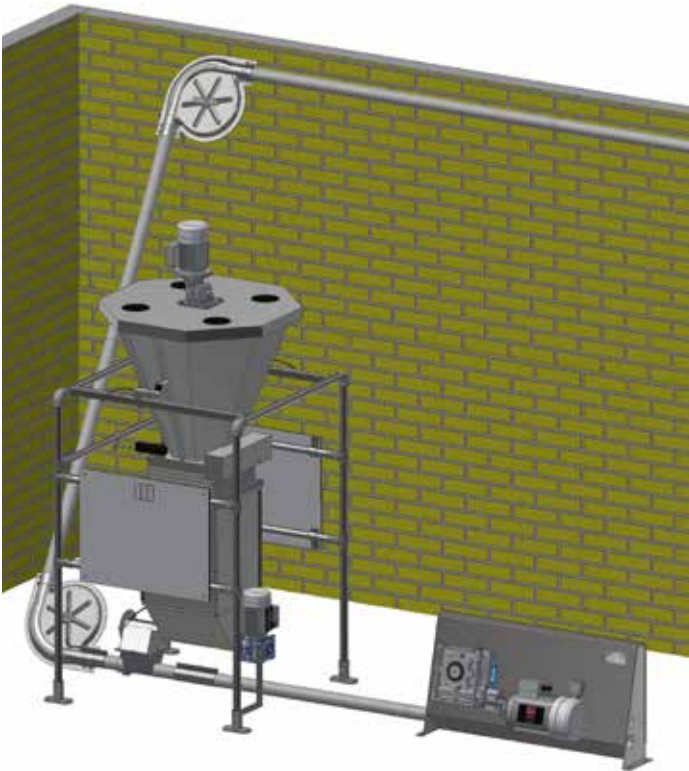
Funki single dry 1 pipeline



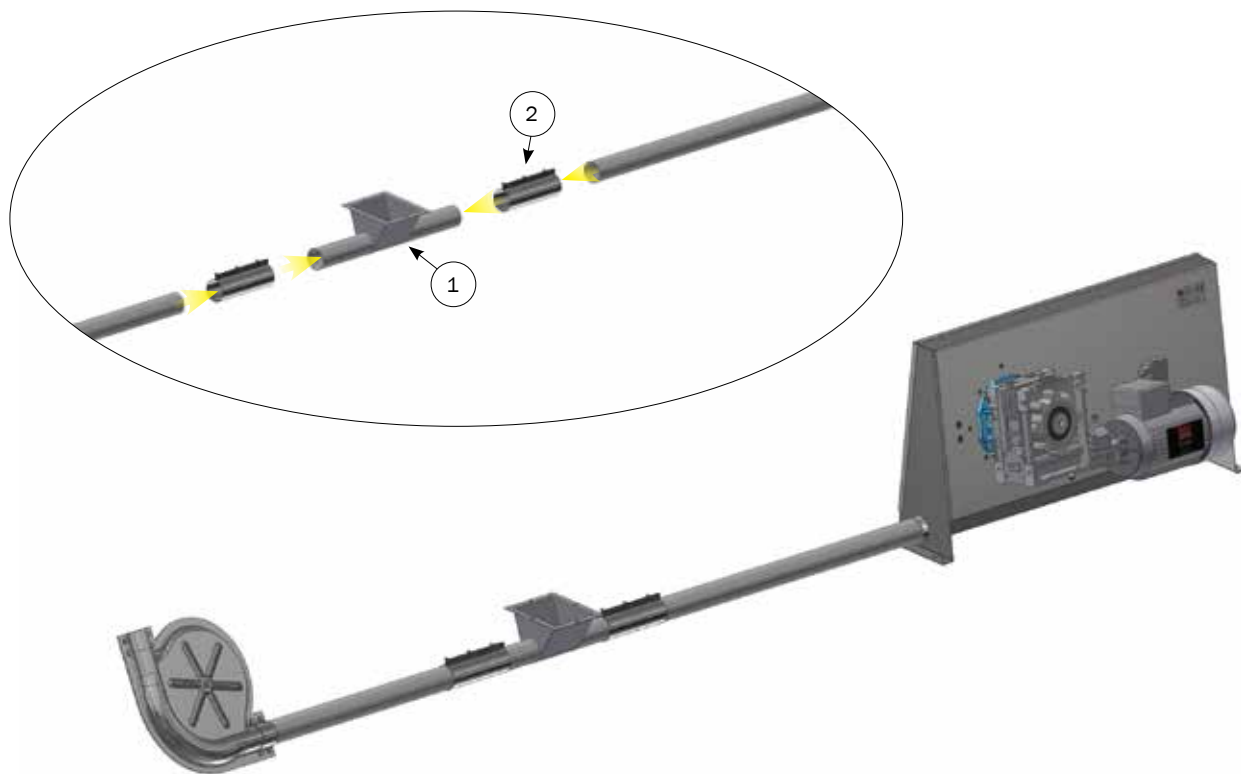
Parts list

Parts list			
	Item No.	Description	Pcs.
a	0170-555	FUNKI SINGLE DRY 1 PIPELINE WITH AGITATOR	
b	0170-565	FUNKI SINGLE DRY 1 PIPELINE WITHOUT AGITATOR	
1a	0170-554	HOPPER FOR WEIGHING FUNKI SINGLE DRY INCL. MIXER	1
1b	0170-552	HOPPER FOR WEIGHING FUNKI SINGLE DRY EXCL. MIXER	1
2	0170-553	TRANSITION BAG FUNKI SINGLE DRY	1
3	77000016	LOAD CELL 0-100KG SB-BW	2
4	39900103	CLAMP SET Ø60	1
5	86100	UNION CONNECTOR 60 MM FEEDING PIPE COMPLETE	2
6	39408058	VIBRATION DAMPER BOLT M8	3
7	71900042	SENSOR CAPACITIVE WITH TIMER Ø30 5M 20/250V AC/DC	1
8	67340	HEXAGON SOCKET SCREW M8X25 A2	8
9	4620015	LOCKING RING FOR 1" PIPE	1
10	33510017	NUT M10 A2 DIN 934 WAXED	2
11	30900	WALL BRACKET SMALL	1
12	30308012	SET SCREW M8X12 A2 DIN 933	1
13	0170-563	PLATE FOR FUNKI SINGLE DRY	2
14	0170-562	SPACER FOR LOADCELL	4
15	68552	COLLAR HEAD NUT M8 A2 DIN 6923	10
16	30308030	SET SCREW M8X30 A2 DIN 933	3
17	30308016	SET SCREW M8X16 A2 DIN 933	2
18	0170-558	TRANSITION HOPPER FOR U-60 FUNNEL SINGLE DRY 1 PIPELINE	1
19	0142-045	CROSS DRAIN, SINGLE Ø60MM	1
20	30308035	SET SCREW M8X35 A2 DIN 933	2
21	0170-550	FLEX AUGER RECEPTION UNIT Ø76	1
22	33908001	LOCK NUT M8 A2 DIN 985 WAXED	5
23	32308091	SET SCREW M8X90 A2 DIN 933	4
24	8450731	SIDE PLATE FOR FUNNEL U-60 STAINLESS STEEL	4
25	35600037	FLAT WASHER Ø8.4X16X1.6 MM A2 DIN 125A	9
26	30306010	SET SCREW M6X10 A2 DIN 933	20
27	33506010	NUT M6 A2 DIN 934	20
28	0146-377	PIPE HANGER 20X26 CM	2
29	33506011	COLLAR HEAD NUT M6 A2 DIN 6923	5
30	35600058	WASHER Ø8.4X24X2 MM A2 DIN 9021	2
31	0112-201	BOW FOR SQUARE STRAP	4
32	30306020	SET SCREW M6X20 A2 DIN 933	5
33	0170-561	SUPPORT FOR FUNKI SINGLE DRY	1
34	2010701	1" TUBE FITTINGS WITH BASE PLATE FOR WALL AND BOARD PROFILE	4
35	2010703	1" TUBE FITTINGS 90 °	4
36	16375	PIPE RETAINER 1" WITHOUT BOLT	8
37	20053	1" T-PIPE HOLDER KIT INCL. SCREWS	10
38	0170-564	BRACKET FOR STABILIZATION STAINLESS STEEL	1
39	0170-566	1" GALVANIZED PIPE FUNKI SINGLE DRY HORIZONTAL	5
40	0170-567	1" GALVANIZED PIPE FUNKI SINGLE DRY 1 PIPELINE VERTICAL	4
41	12100208	QUICK COUPLING, ANGEL 8/6-1/8"	1

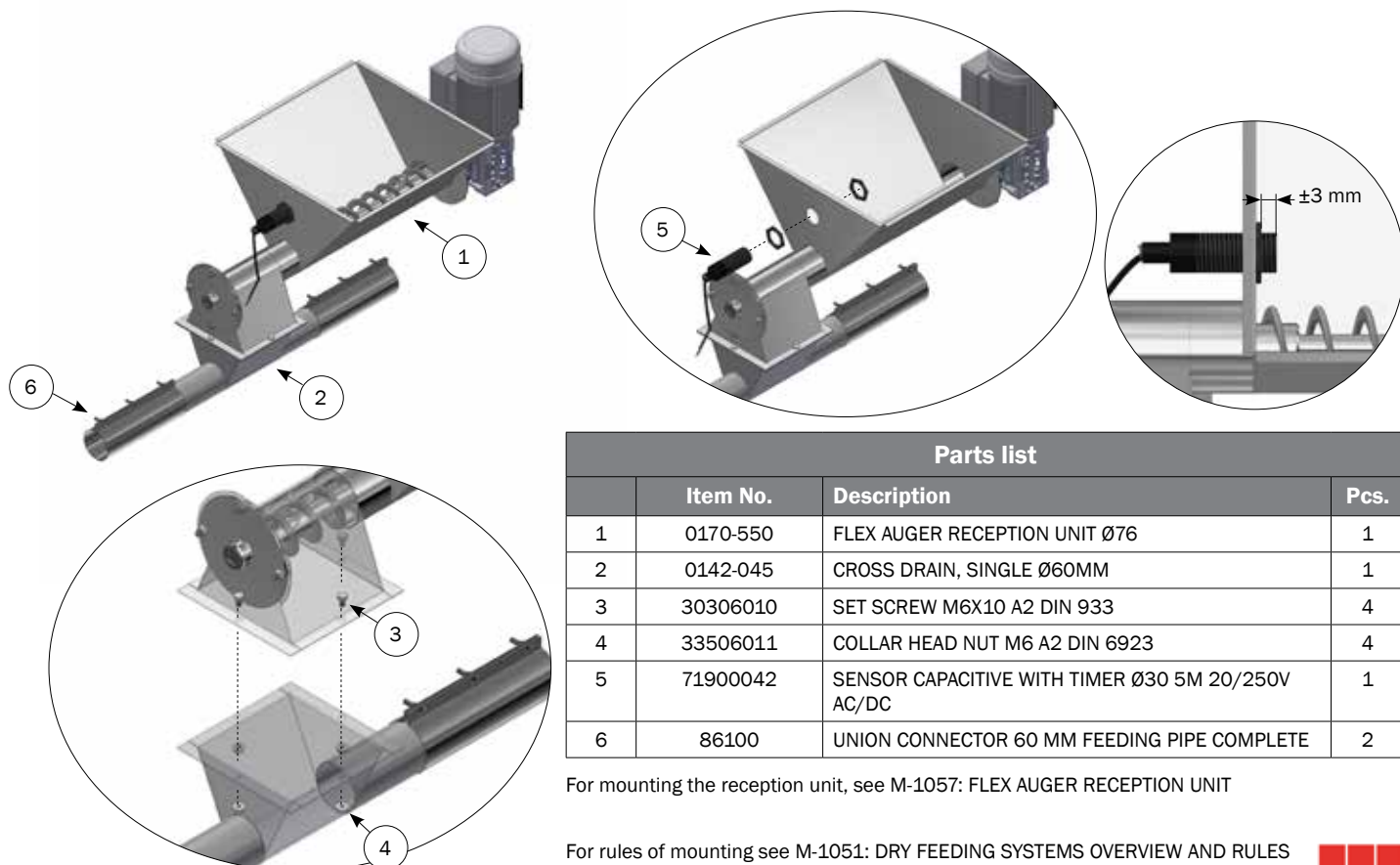
Distance to walls



Assembly of cross drain and reception unit



Parts list			
	Item No.	Description	Pcs.
1	0142-045	CROSS DRAIN, SINGLE Ø60MM	1
2	86100	UNION CONNECTOR 60 MM FEEDING PIPE COMPLETE	2

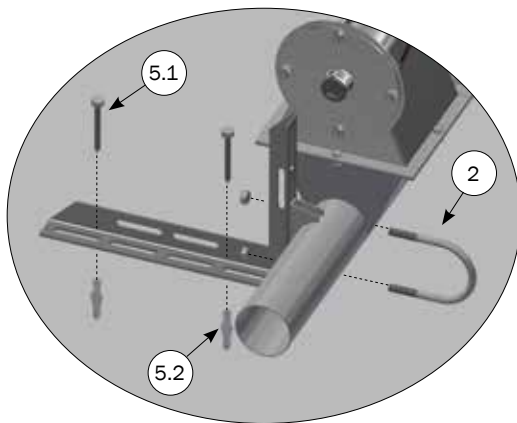
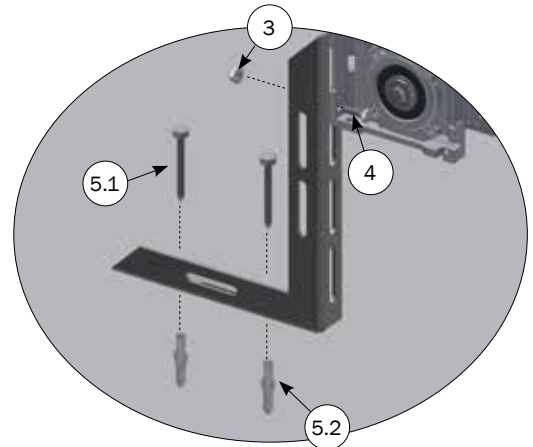
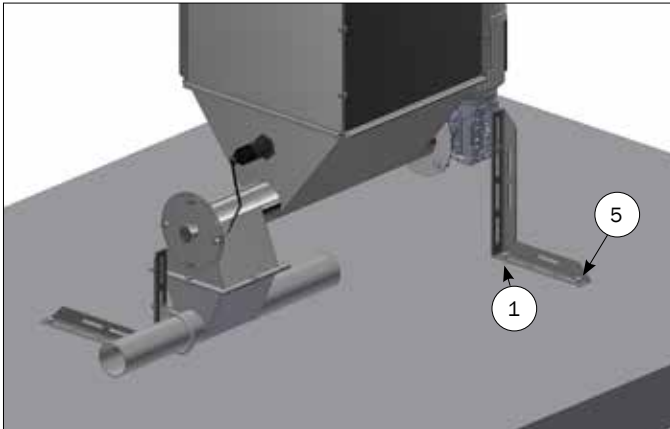


Parts list			
	Item No.	Description	Pcs.
1	0170-550	FLEX AUGER RECEPTION UNIT Ø76	1
2	0142-045	CROSS DRAIN, SINGLE Ø60MM	1
3	30306010	SET SCREW M6X10 A2 DIN 933	4
4	33506011	COLLAR HEAD NUT M6 A2 DIN 6923	4
5	71900042	SENSOR CAPACITIVE WITH TIMER Ø30 5M 20/250V AC/DC	1
6	86100	UNION CONNECTOR 60 MM FEEDING PIPE COMPLETE	2

For mounting the reception unit, see M-1057: FLEX AUGER RECEPTION UNIT

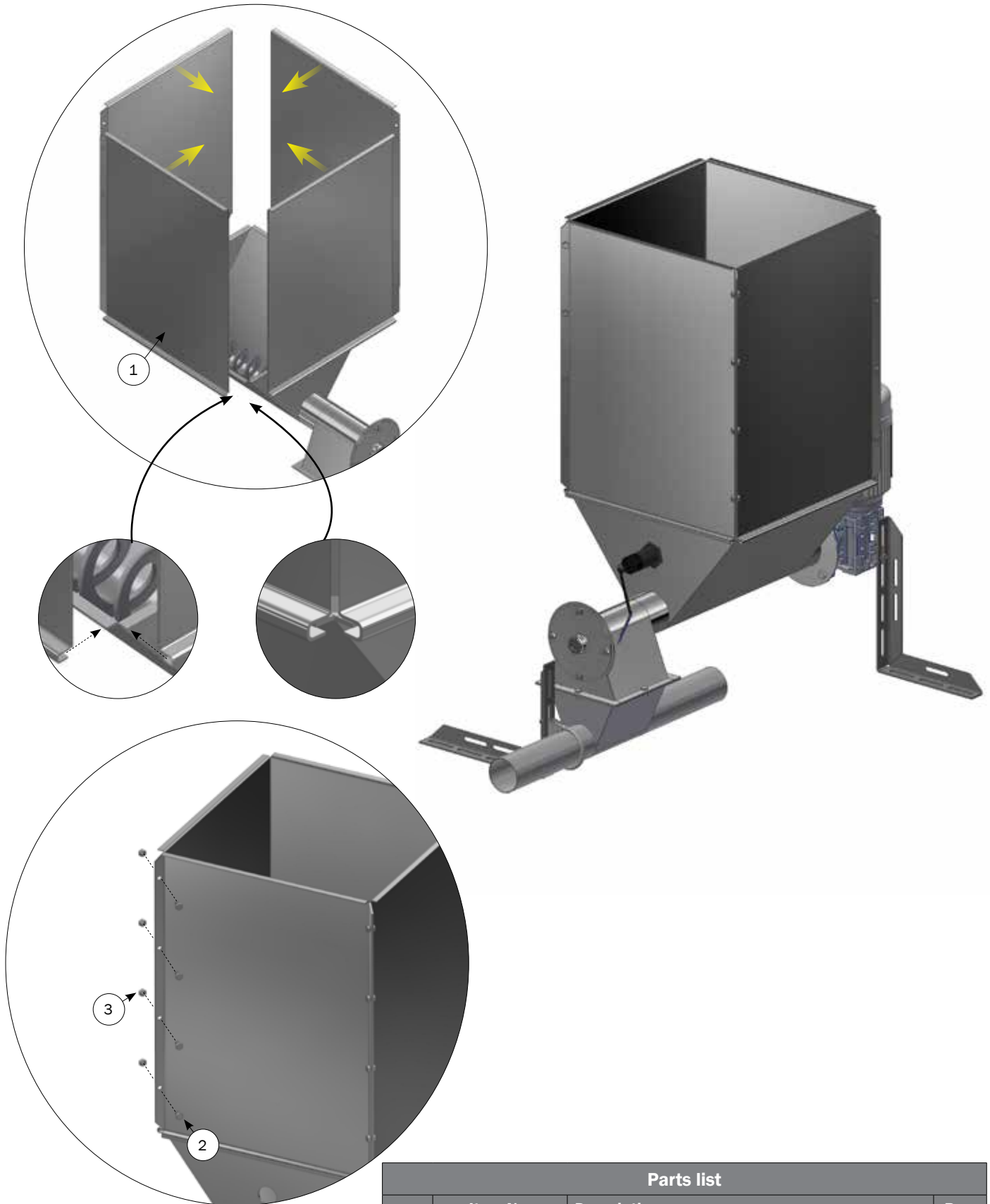
For rules of mounting see M-1051: DRY FEEDING SYSTEMS OVERVIEW AND RULES

Montering of support legs



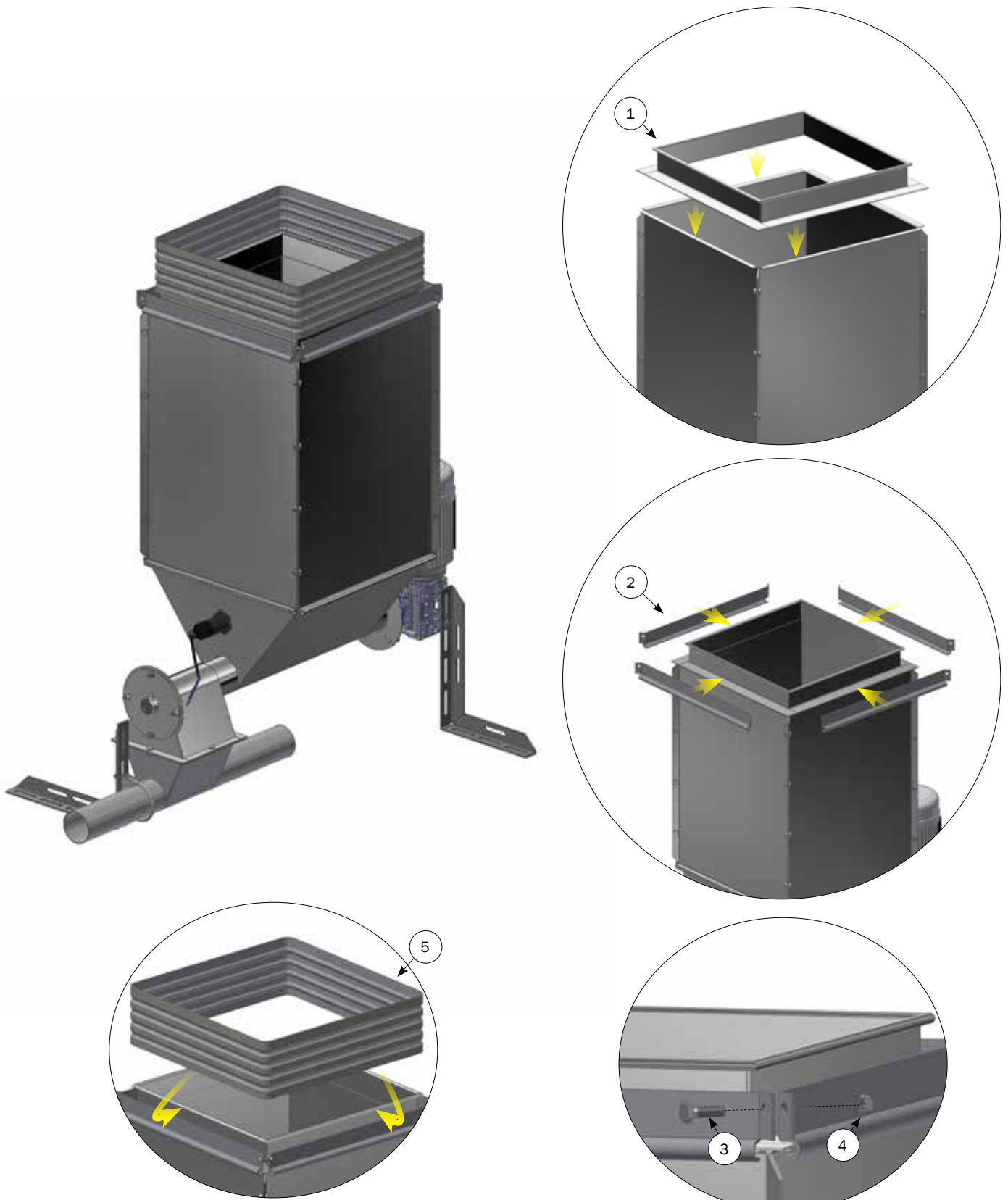
Parts list			
	Item No.	Description	Pcs.
1	0146-377	PIPE HANGER 20X26 CM	2
2	39900103	CLAMP SET Ø60	1
3	33506011	COLLAR HEAD NUT M6 A2 DIN 6923	1
4	30306020	SET SCREW M6X20 A2 DIN 933	1
5	0146-440	MOUNTING KIT FOR PIPE HANGER, WALL MOUNTING 6 MM	2
5.1	34906060	COACH SCREW M6X60 A2 DIN 571	4
5.2	39900000	WALL PLUG 8X40MM	4

Montering of plates for funnel



Parts list			
	Item No.	Description	Pcs.
1	8450731	SIDE PLATE FOR FUNNEL U-60 STAINLESS STEEL	4
2	30306010	SET SCREW M6X10 A2 DIN 933	16
3	33506010	NUT M6 A2 DIN 934	16

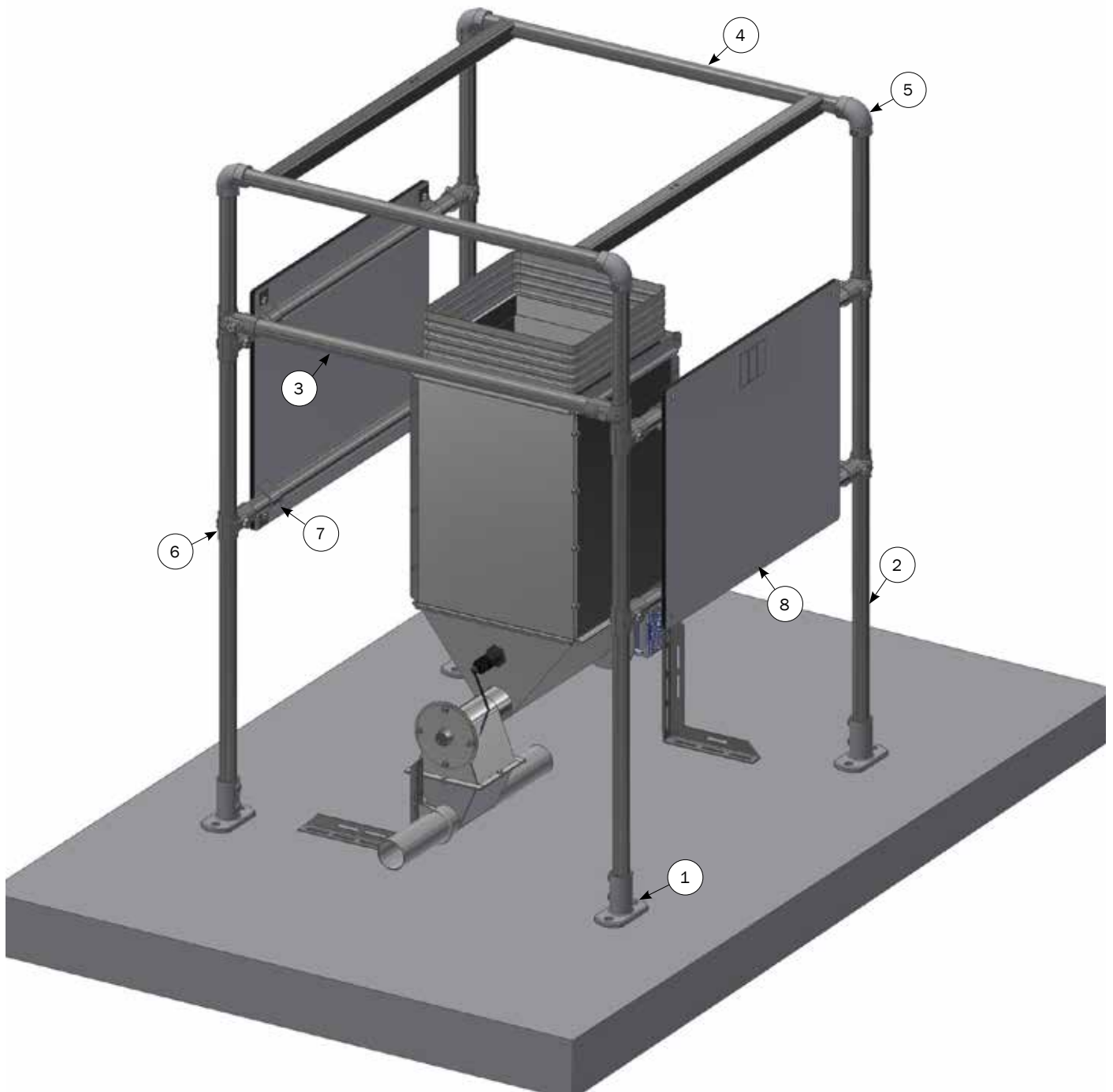
Assembly of transition hopper, bow and transition bag



Parts list

	Item No.	Description	Pcs.
1	0170-558	TRANSITION HOPPER FOR U-60 FUNNEL SINGLE DRY 1 PIPELINE	1
2	0112-201	BOW FOR SQUARE STRAP	4
3	30306020	SET SCREW M6X20 A2 DIN 933	4
4	33506010	NUT M6 A2 DIN 934	4
5	0170-553	TRANSITION BAG FUNKI SINGLE DRY	1

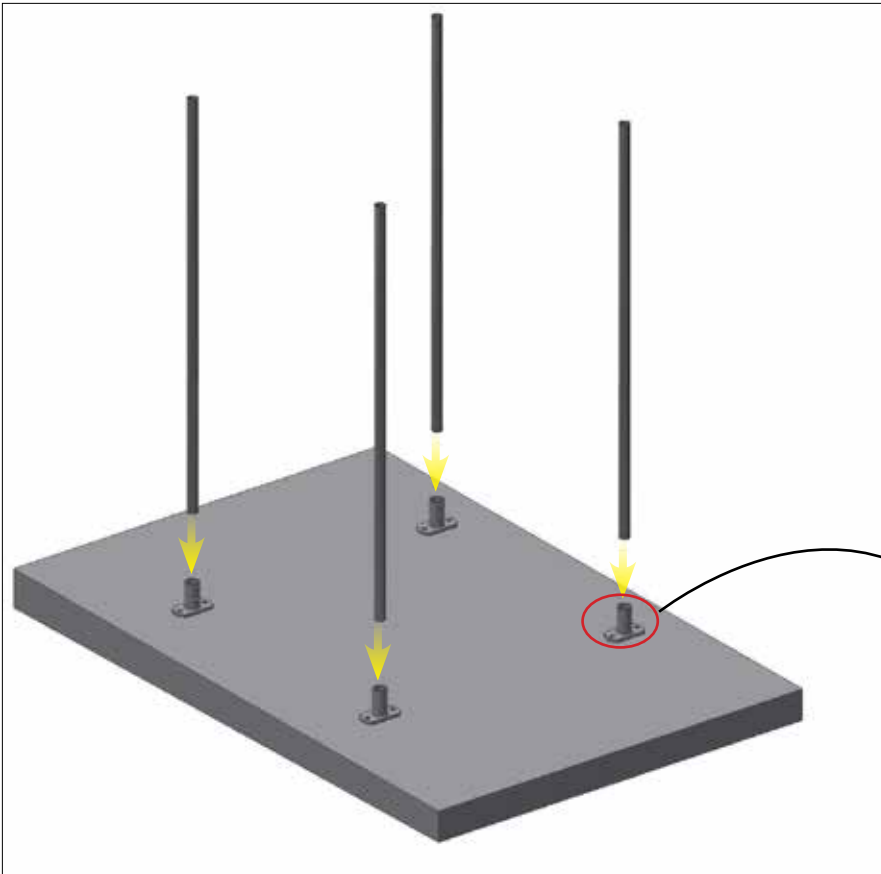
Assembly of support structure



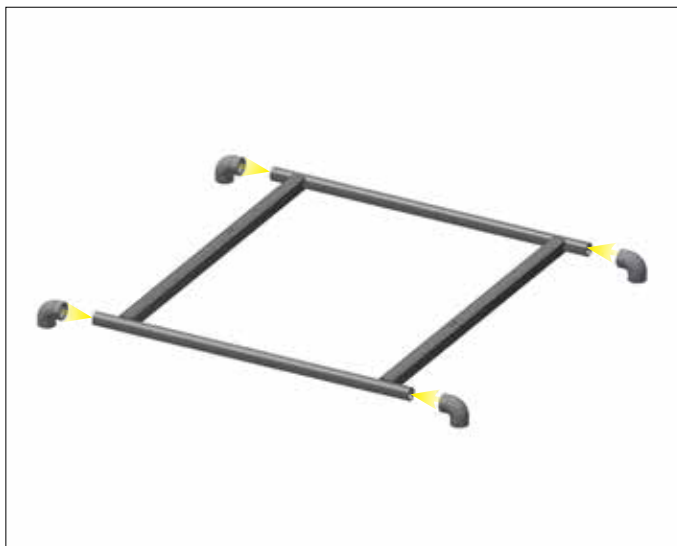
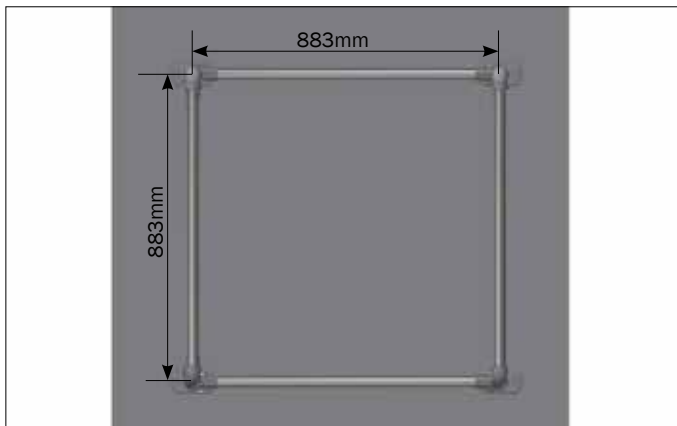
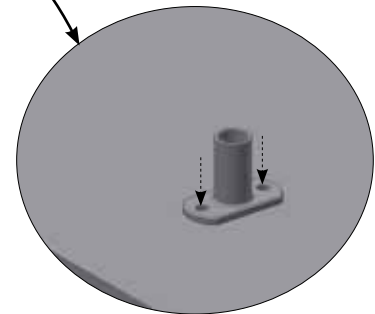
Parts list

	Item No.	Description	Pcs.
1	2010701	1" TUBE FITTINGS WITH BASE PLATE FOR WALL AND BOARD PROFILE	4
2	0170-567	1" GALVANIZED PIPE FUNKI SINGLE DRY 1 PIPELINE VERTICAL	4
3	0170-566	1" GALVANIZED PIPE FUNKI SINGLE DRY HORIZONTAL	5
4	0170-561	SUPPORT FOR FUNKI SINGLE DRY	1
5	2010703	1" TUBE FITTINGS 90 °	4
6	20053	1" T-PIPE HOLDER KIT INCL. SCREWS	10
7	16375	PIPE RETAINER 1" WITHOUT BOLT	8
8	0170-563	PLATE FOR FUNKI SINGLE DRY	2

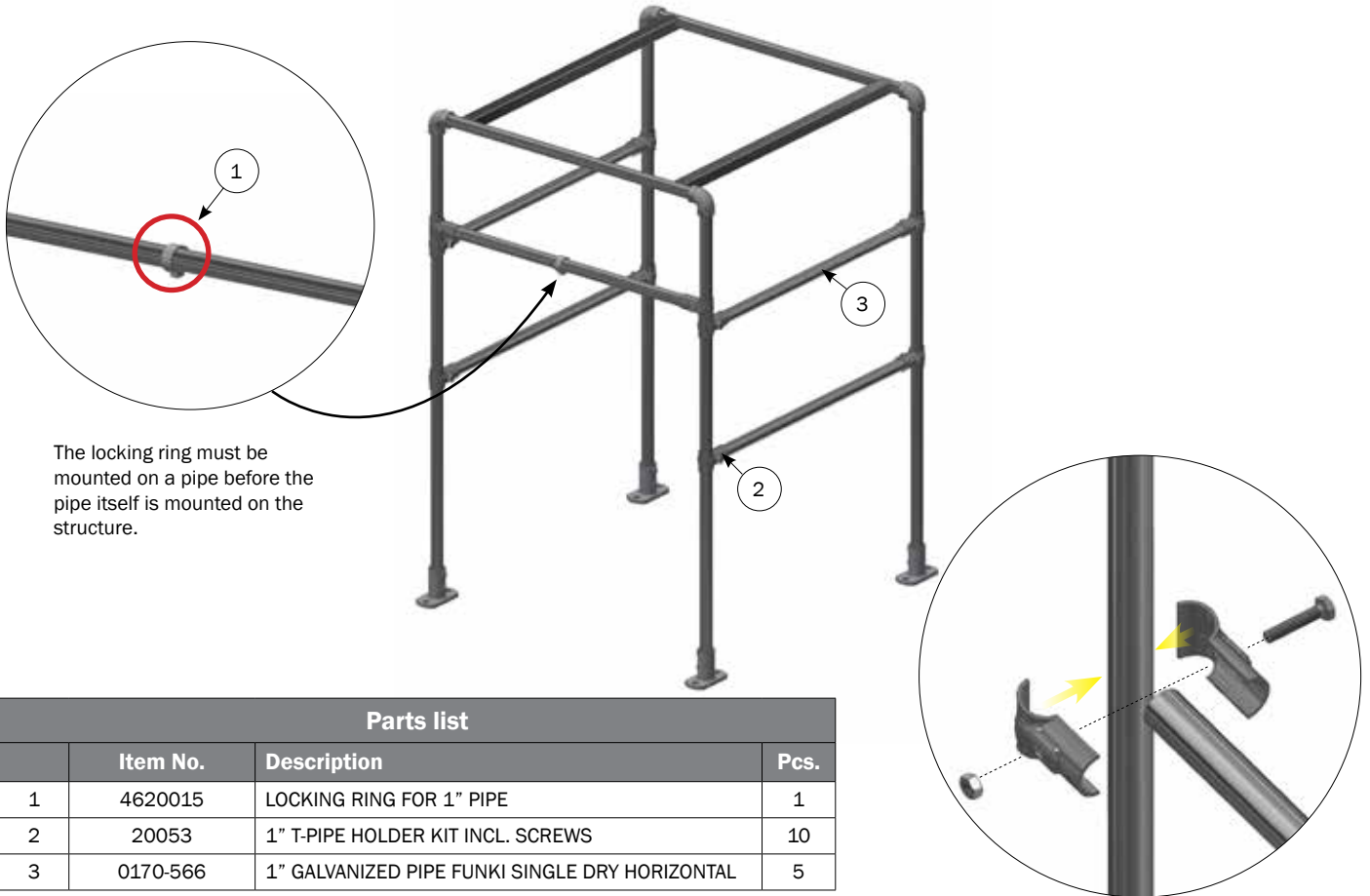
Assembly of support structure



Must be purchased separately.
For installation in concrete use:
8 pieces "4800010"

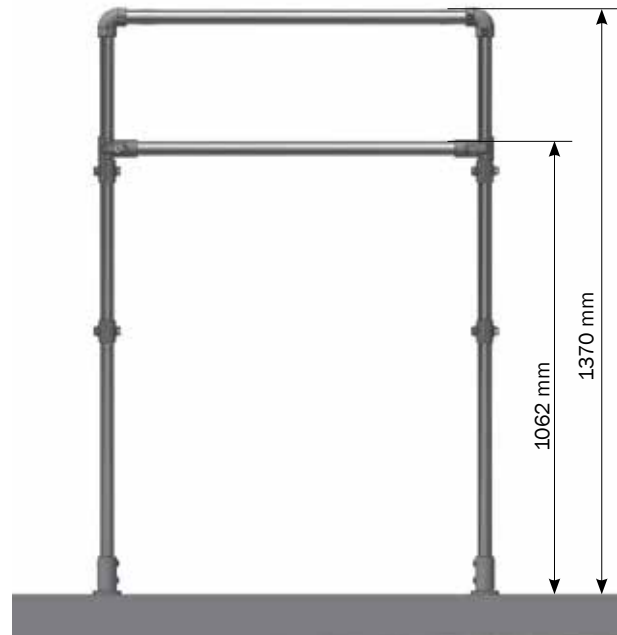
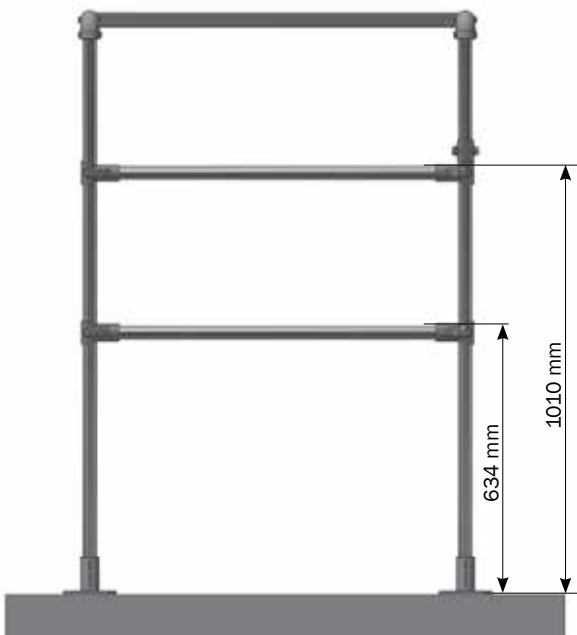
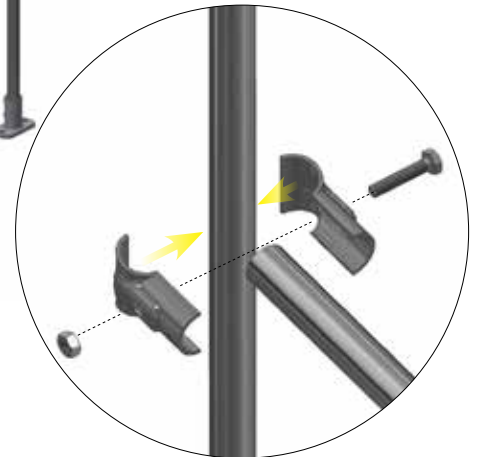


Assembly of support structure

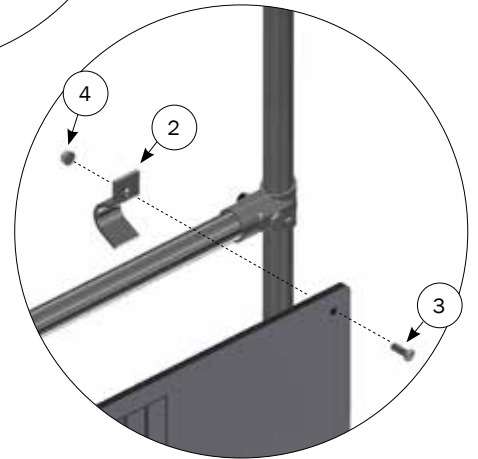
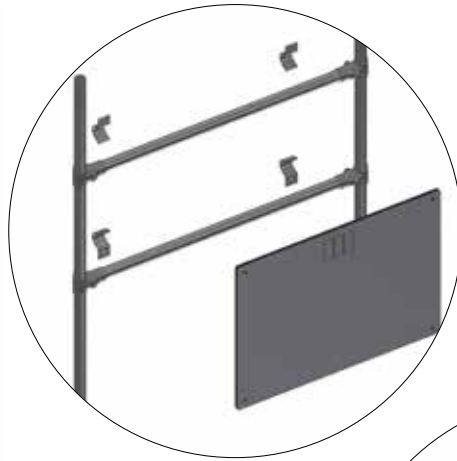


Parts list

	Item No.	Description	Pcs.
1	4620015	LOCKING RING FOR 1" PIPE	1
2	20053	1" T-PIPE HOLDER KIT INCL. SCREWS	10
3	0170-566	1" GALVANIZED PIPE FUNKI SINGLE DRY HORIZONTAL	5

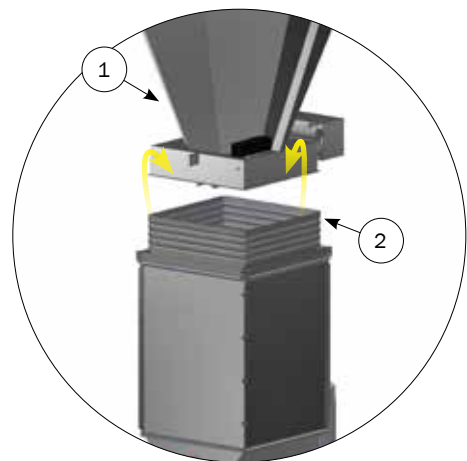
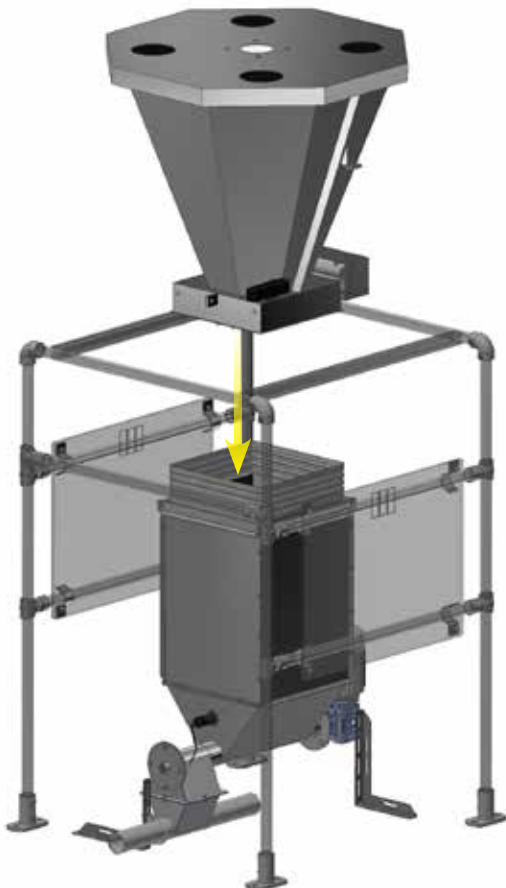


Assembly of funnel



Parts list

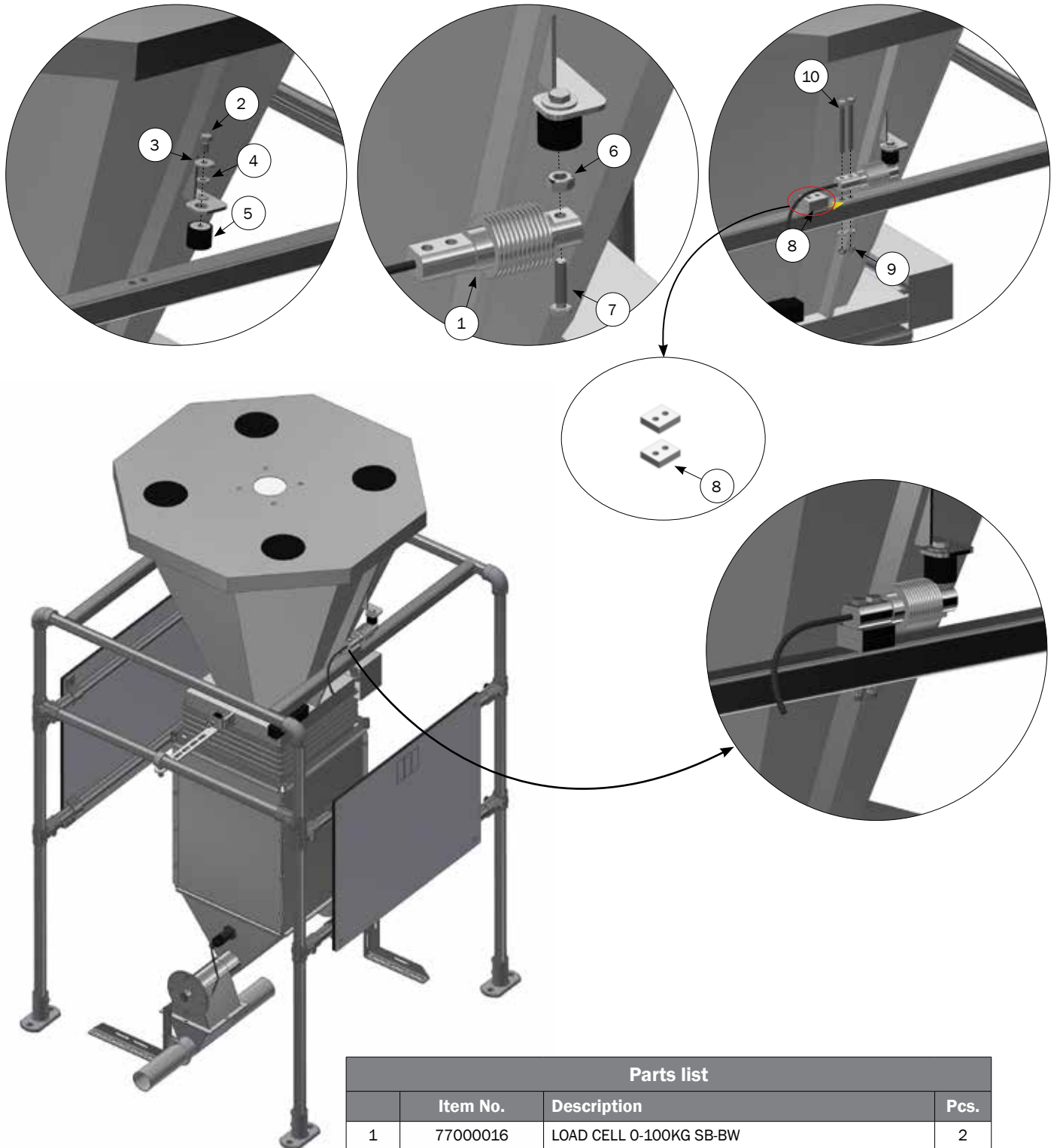
	Item No.	Description	Pcs.
1	0170-563	PLATE FOR FUNKI SINGLE DRY	2
2	16375	PIPE RETAINER 1" WITHOUT BOLT	8
3	67340	HEXAGON SOCKET SCREW M8X25 A2	8
4	68552	COLLAR HEAD NUT M8 A2 DIN 6923	8



Parts list

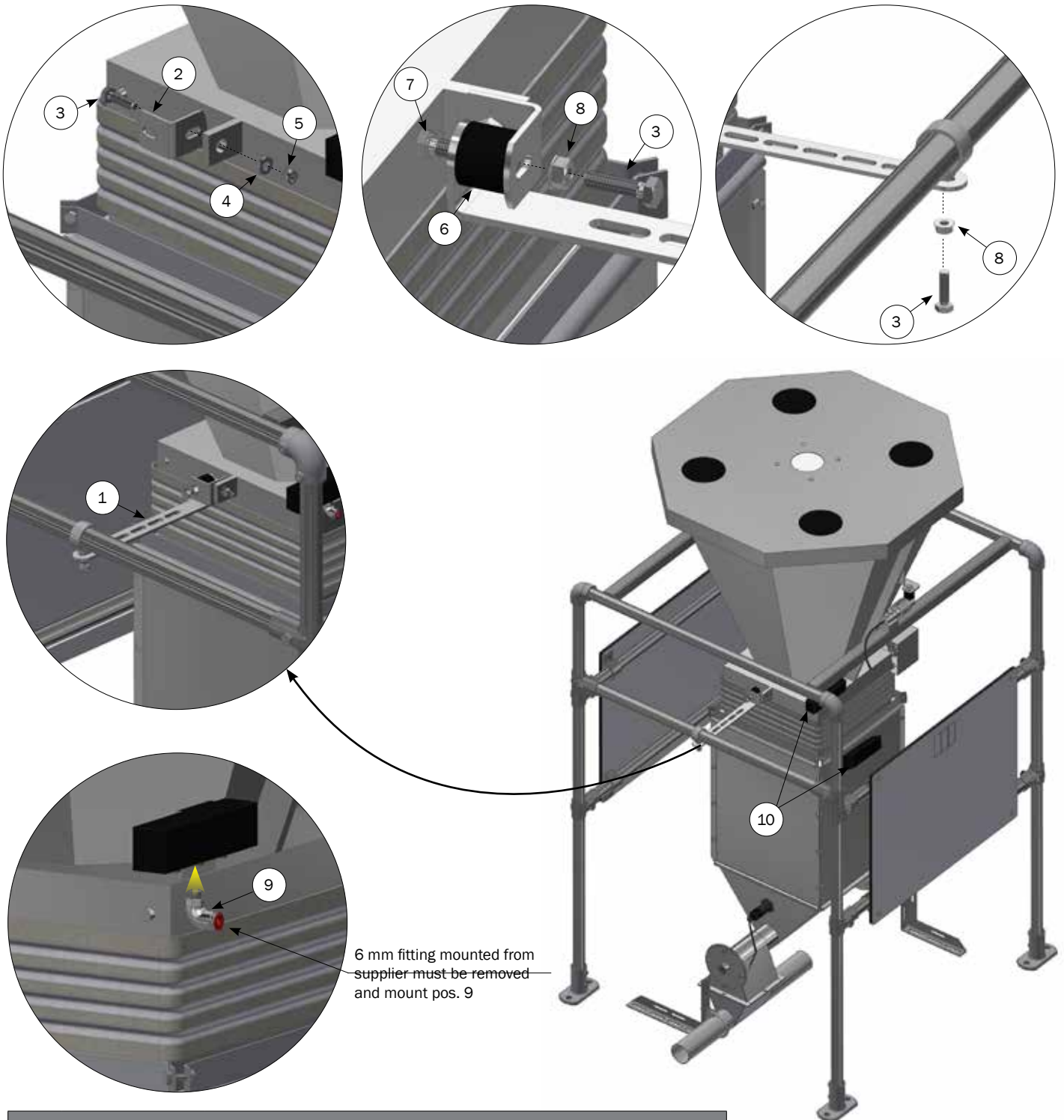
	Item No.	Description	Pcs.
1	0170-552	HOPPER FOR WEIGHING FUNKI SINGLE DRY EXCL. MIXER	1
2	0170-553	TRANSITION BAG FUNKI SINGLE DRY	1

Assembly of load cell



Parts list			
	Item No.	Description	Pcs.
1	77000016	LOAD CELL 0-100KG SB-BW	2
2	30308016	SET SCREW M8X16 A2 DIN 933	2
3	35600058	WASHER Ø8.4X24X2 MM A2 DIN 9021	2
4	35600037	FLAT WASHER Ø8.4X16X1.6 MM A2 DIN 125A	8
5	39408058	VIBRATION DAMPER BOLT M8	2
6	33510017	NUT M10 A2 DIN 934 WAXED	2
7	30308035	SET SCREW M8X35 A2 DIN 933	2
8	0170-562	SPACER FOR LOAD CELL	4
9	33908001	LOCK NUT M8 A2 DIN 985 WAXED	4
10	32308091	SET SCREW M8X90 A2 DIN 933	4

Installation of stabilization bracket

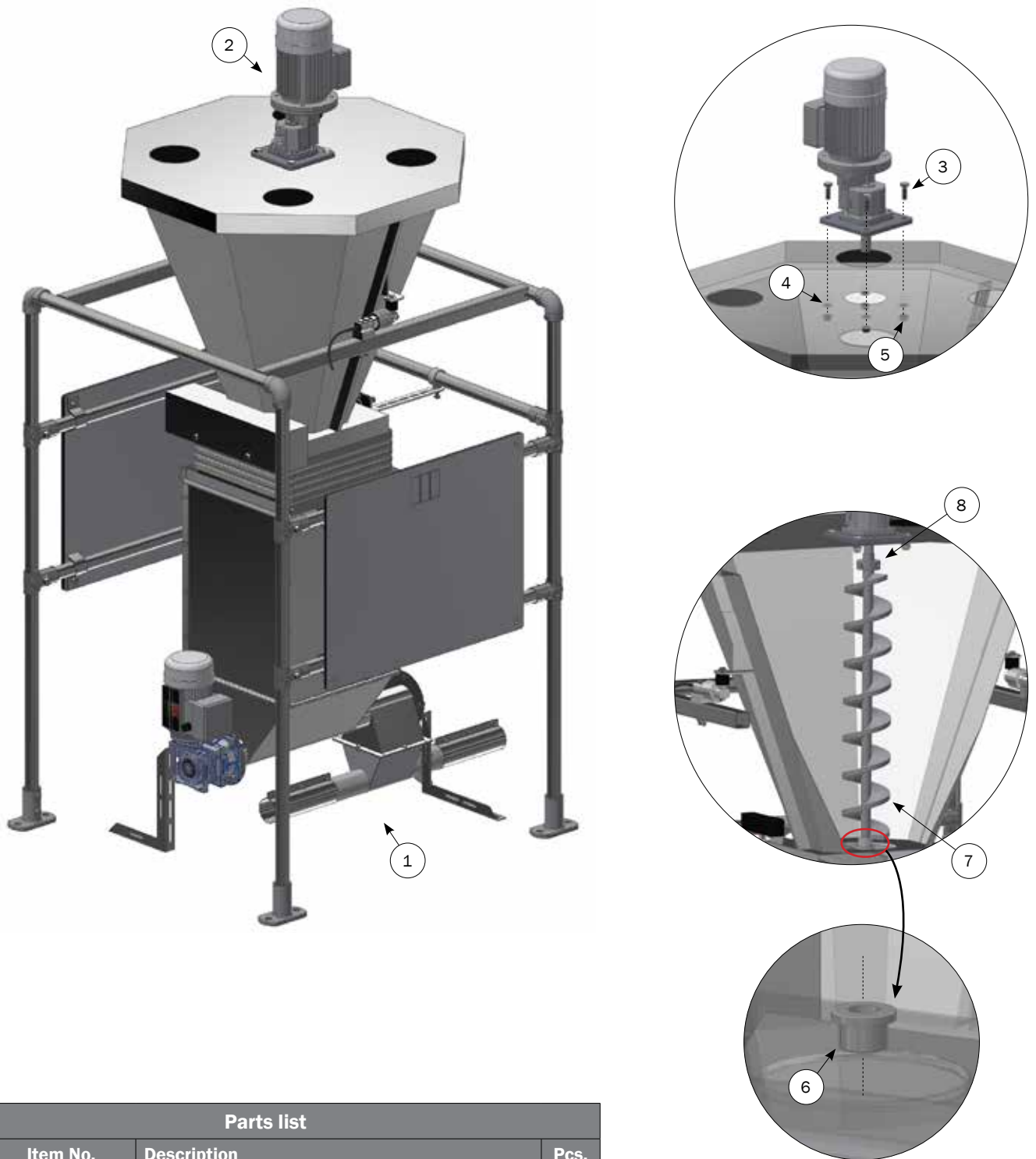


6 mm fitting mounted from supplier must be removed and mount pos. 9

Parts list

	Item No.	Description	Pcs.
1	0170-564	BRACKET FOR STABILIZATION STAINLESS STEEL	1
2	30900	WALL BRACKET SMALL	1
3	30308030	SET SCREW M8X30 A2 DIN 933	3
4	35600037	FLAT WASHER Ø8.4X16X1.6 MM A2 DIN 125A	8
5	33908001	LOCK NUT M8 A2 DIN 985 WAXED	2
6	39408058	VIBRATION DAMPER BOLT M8	2
7	30308012	SET SCREW M8X12 A2 DIN 933	2
8	68552	COLLAR HEAD NUT M8 A2 DIN 6923	2
9	12100208	QUICK COUPLING, ANGEL 8/6-1/8"	1
10	0223-060	COMPLETE 5/2 WAY SOLENOID VALVE FOR FOR SINGLE DRY	2

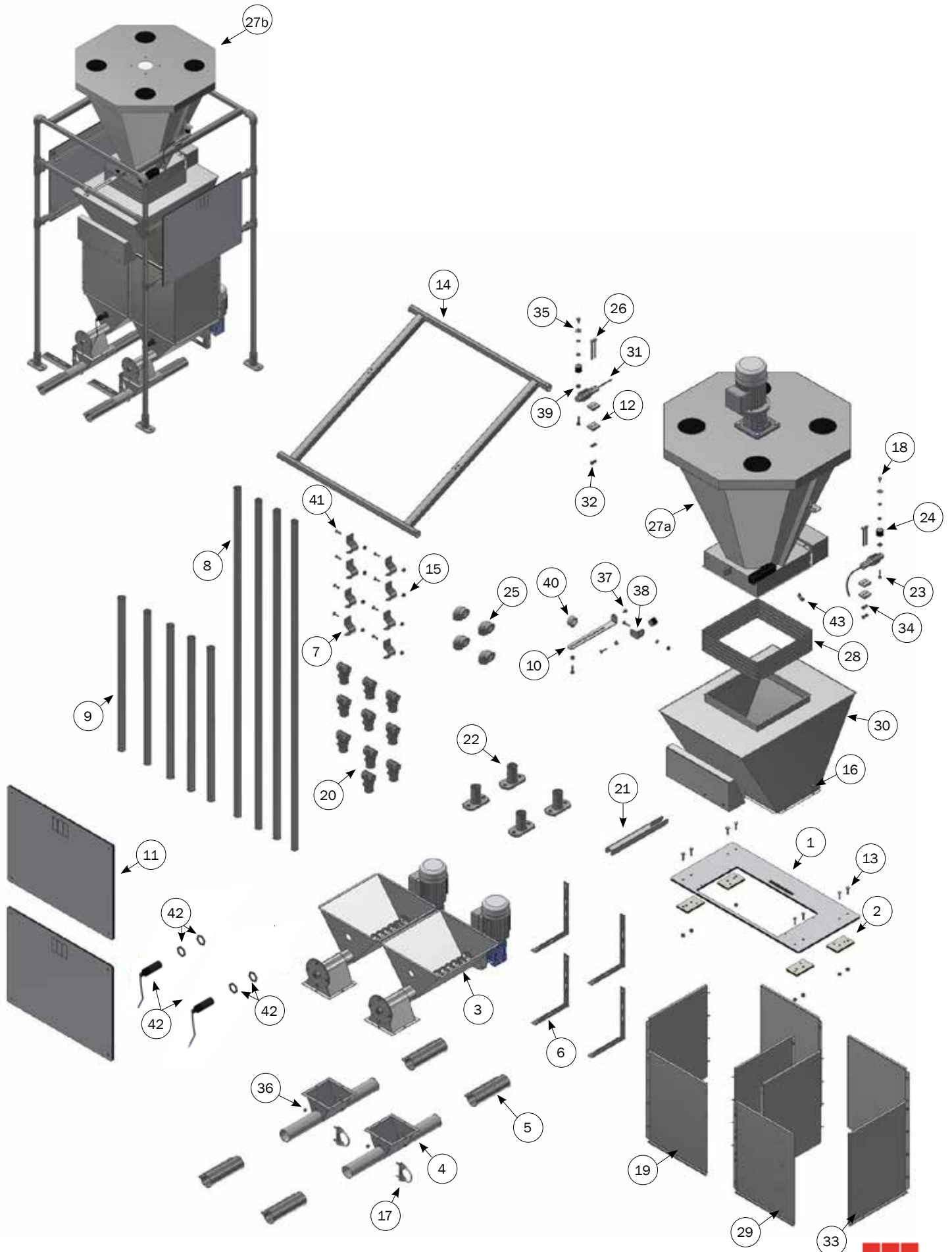
Funki single dry 1 pipeline with agitator



Parts list

	Item No.	Description	Pcs.
1	0170-555	FUNKI SINGLE DRY 1 PIPELINE WITH AGITATOR	1
2	45100641	GEAR MOTOR 0,55 KW IE1	1
3	30310030	SET SCREW M10X30 A2 DIN 933	4
4	35600038	FLAT WASHER Ø10.5X20X2 MM A2 DIN 125A	4
5	33900029	LOCK NUT M10 A2 DIN 985 WAXED	4
6	8500520	BUSHING FOR SINGLE DRY	1
7	0170-573	MIXER SINGLE DRY	1
8	0170-574	SINGLE DRY CLUTCH GEARMOTOR/MIXER	1

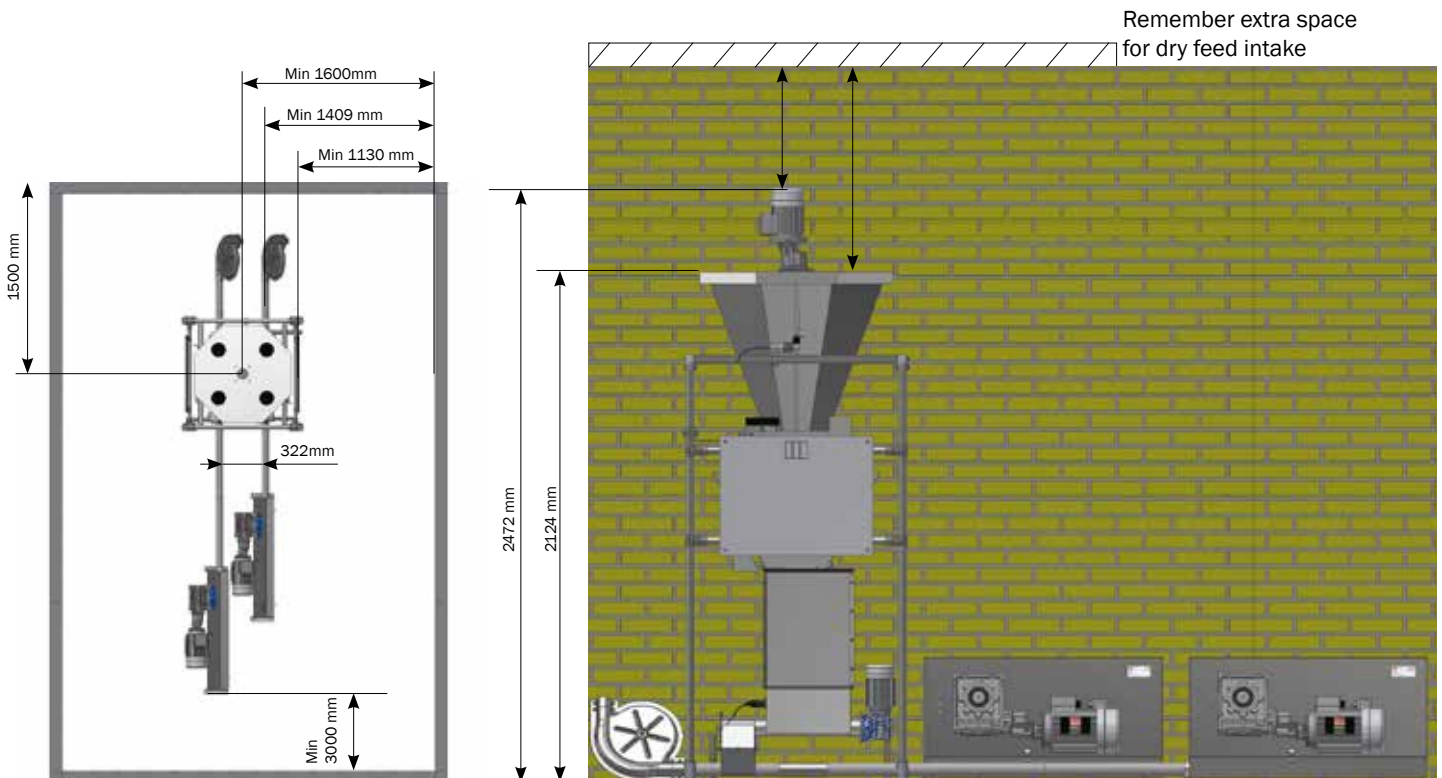
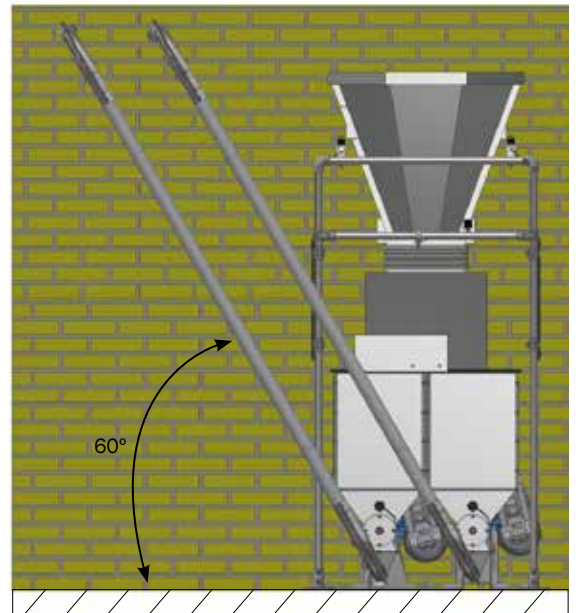
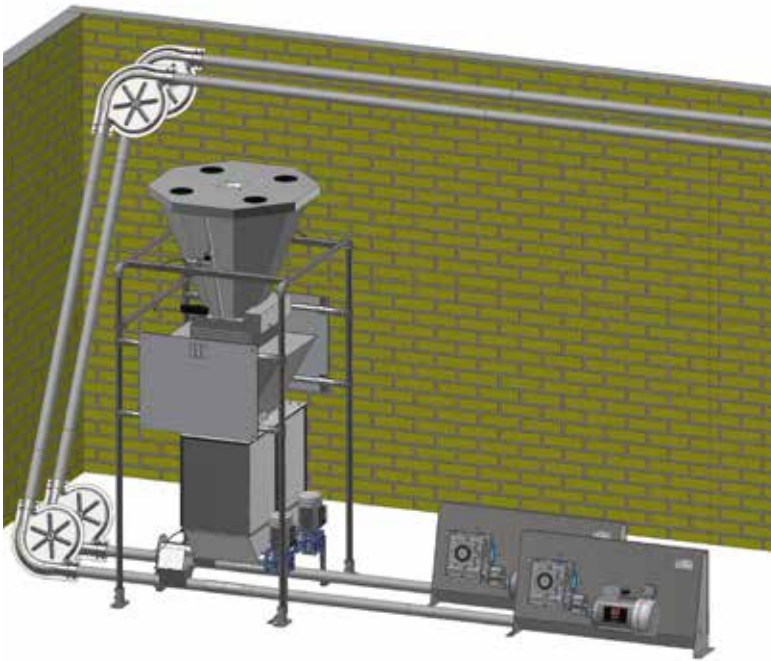
Funki single dry 2 pipelines



Parts list

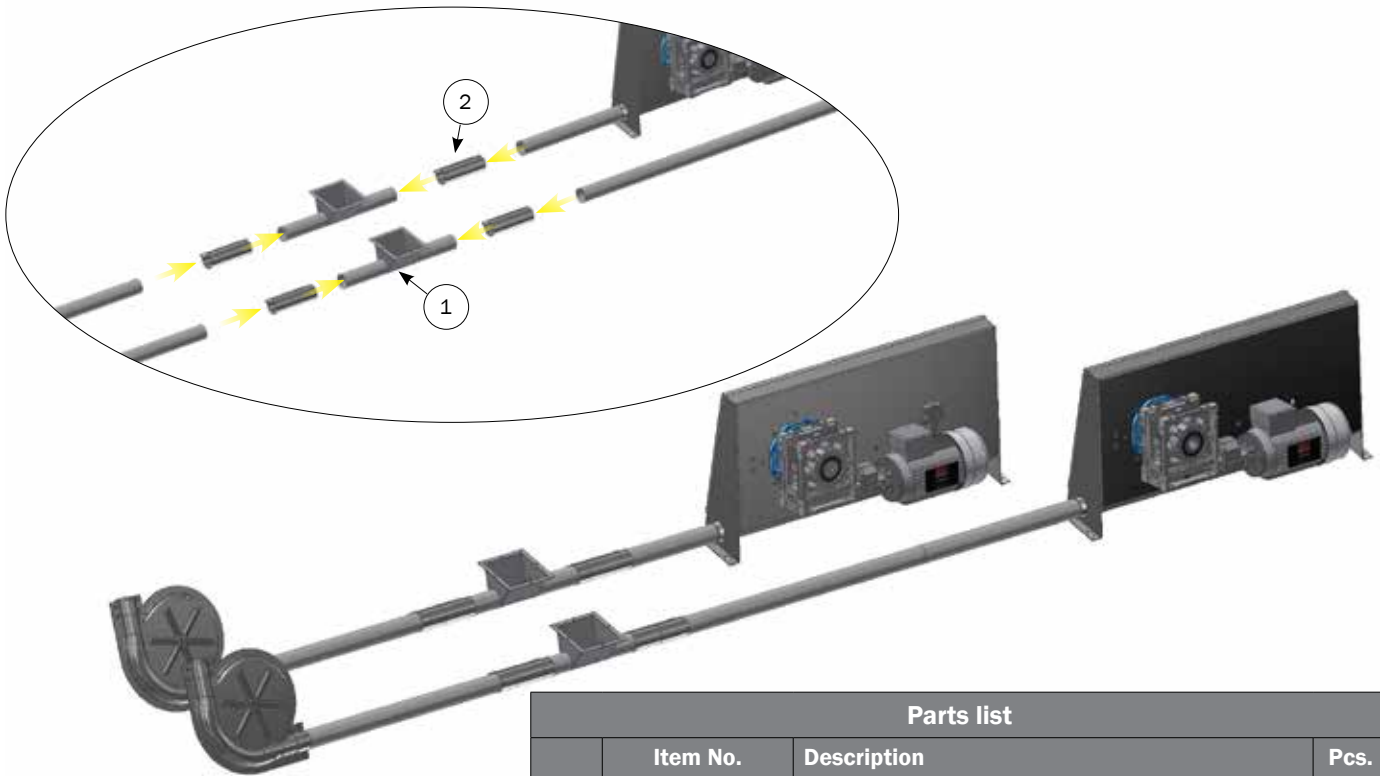
Parts list			
	Item No.	Description	Pcs.
	0170-560	FUNKI SINGLE DRY 2 PIPELINES WITH AGITATOR	
	0170-570	FUNKI SINGLE DRY 2 PIPELINES WITHOUT AGITATOR	
1	8470178	FIBER PLATE LID RECEPTION UNIT FOR FUNKINET SINGLE DRY	1
2	4360415	SPACER TOP H750	4
3	0170-550	FLEX AUGER RECEPTION UNIT Ø76	2
4	0142-045	CROSS DRAIN, SINGLE Ø60MM	2
5	86100	UNION CONNECTOR 60 MM FEEDING PIPE COMPLETE	4
6	0146-377	PIPE HANGER 20X26 CM	4
7	16375	PIPE RETAINER 1" WITHOUT BOLT	8
8	0170-568	1" GALVANIZED PIPE FUNKI SINGLE DRY 2 PIPELINES VERTICAL	4
9	0170-566	1" GALVANIZED PIPE FUNKI SINGLE DRY HORIZONTAL	5
10	0170-564	BRACKET FOR STABILIZATION STAINLESS STEEL	1
11	0170-563	PLATE FOR FUNKI SINGLE DRY	2
12	0170-562	SPACER FOR LOADCELL	4
13	30308030	SET SCREW M8X30 A2 DIN 933	11
14	0170-561	SUPPORT FOR FUNKI SINGLE DRY	1
15	68552	COLLAR HEAD NUT M8 A2 DIN 6923	18
16	30306020	SET SCREW M6X20 A2 DIN 933	6
17	39900103	CLAMP SET Ø60T Ø60	2
18	30308016	SET SCREW M8X16 A2 DIN 933	2
19	8450731	SIDE PLATE FOR FUNNEL U-60 STAINLESS STEEL	8
20	20053	1" T-PIPE HOLDER KIT INCL. SCREWS	10
21	0112-008	FEED DISTRIBUTOR FUNKI SINGLE DRY 2 PIPE STRINGS	1
22	2010701	1" TUBE FITTINGS WITH BASE PLATE FOR WALL AND BOARD PROFILE	4
23	30308035	SET SCREW M8X35 A2 DIN 933	2
24	39408058	VIBRATION DAMPER BOLT M8	3
25	2010703	1" TUBE FITTINGS 90 °	4
26	32308091	SET SCREW M8X90 A2 DIN 933	4
27a	0170-554	HOPPER FOR WEIGHING FUNKI SINGLE DRY INCL. MIXER	1
27b	0170-552	HOPPER FOR WEIGHING FUNKI SINGLE DRY EXCL. MIXER	1
28	0170-553	TRANSITION BAG FUNKI SINGLE DRY	1
29	33506010	NUT M6 A2 DIN 934	32
30	0170-551	2 WAYS COMBI INOX WITH ELECTRO PNEUMATIC	1
31	77000016	LOAD CELL 0-100KG SB-BW	2
32	33908001	LOCK NUT M8 A2 DIN 985 WAXED	5
33	30306010	SET SCREW M6X10 A2 DIN 933	40
34	35600037	FLAT WASHER Ø8.4X16X1.6 MM A2 DIN 125A	9
35	35600058	WASHER Ø8.4X24X2 MM A2 DIN 9021	2
36	33506011	COLLAR HEAD NUT M6 A2 DIN 6923	14
37	30308012	SET SCREW M8X12 A2 DIN 933	1
38	30900	WALL BRACKET SMALL	1
39	33510017	NUT M10 A2 DIN 934 WAXED	2
40	4620015	LOCKING RING FOR 1" PIPE	1
41	67340	HEXAGON SOCKET SCREW M8X25 A2	8
42	71900042	SENSOR CAPACITIVE WITH TIMER Ø30 5M 20/250V AC/DC	2
43	12100208	QUICK COUPLING, ANGEL 8/6-1/8"	1

Distance to walls

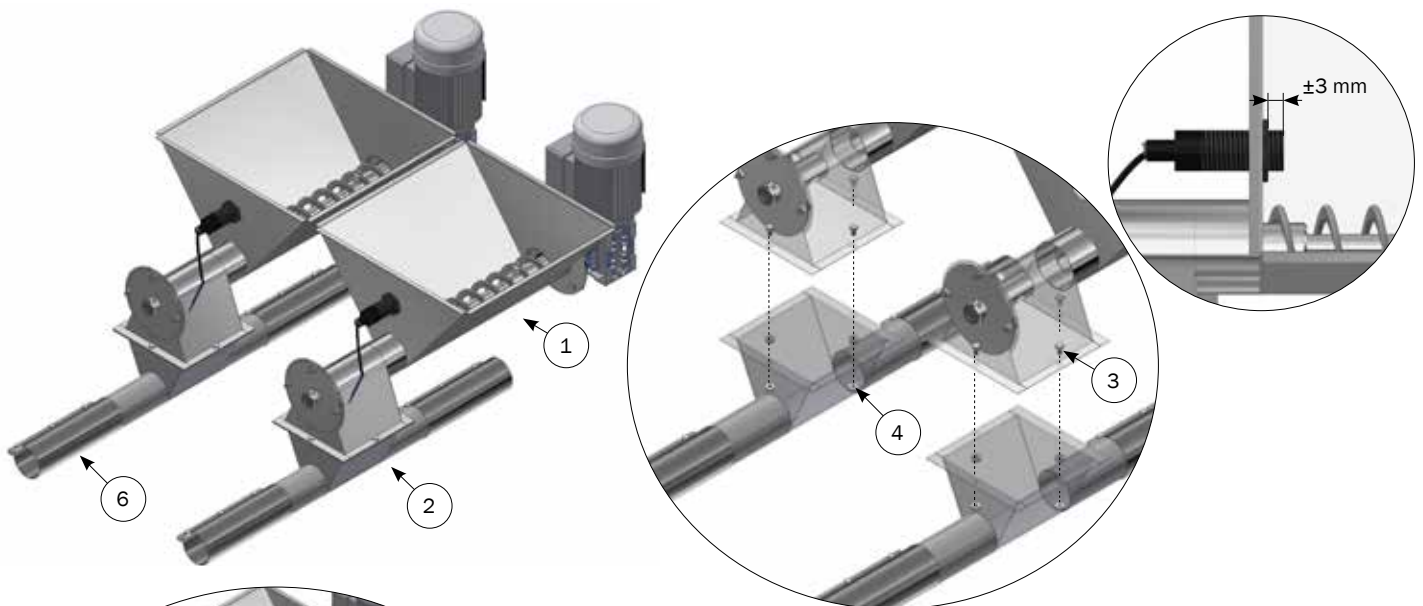


If the top corner hits the ceiling, the bottom corner may be mounted at an angle of less than 60°, and the funnel pushed aside.

Montage af krydsaftapper og optager



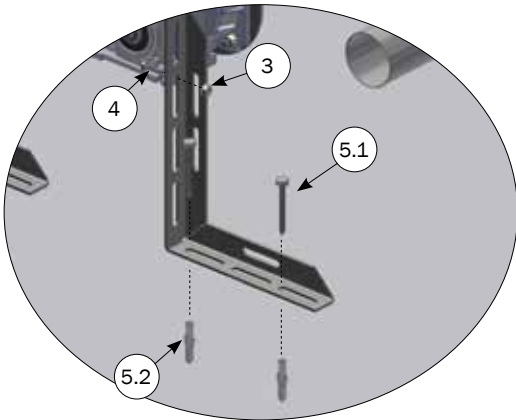
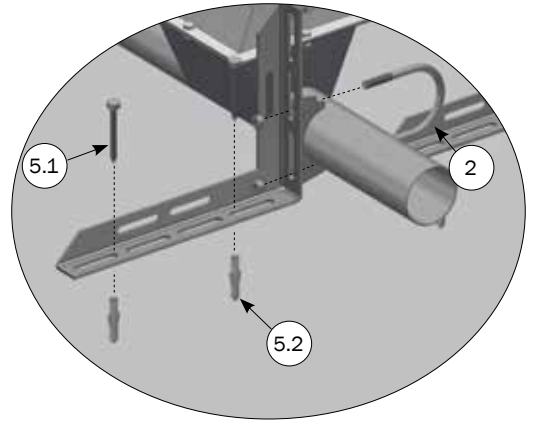
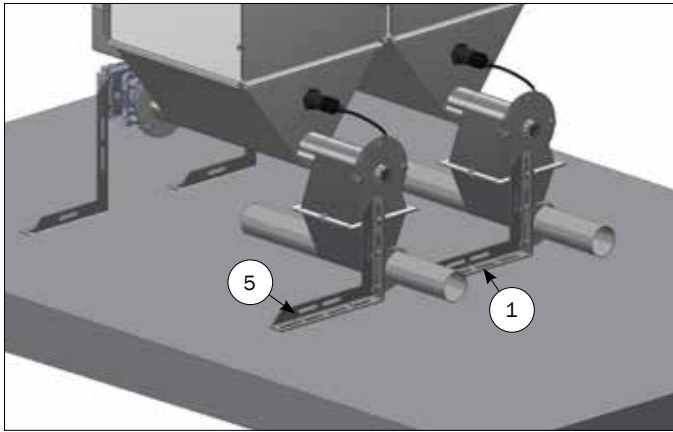
Parts list			
	Item No.	Description	Pcs.
1	0142-045	CROSS DRAIN, SINGLE Ø60MM	2
2	86100	UNION CONNECTOR 60 MM FEEDING PIPE COMPLETE	4



Parts list			
	Item No.	Description	Pcs.
1	0170-550	FLEX AUGER RECEPTION UNIT Ø76	2
2	0142-045	CROSS DRAIN, SINGLE Ø60MM	2
3	30306010	SET SCREW M6X10 A2 DIN 933	8
4	33506011	COLLAR HEAD NUT M6 A2 DIN 6923	8
5	71900042	SENSOR CAPACITIVE WITH TIMER Ø30 5M 20/250V AC/DC	2
6	86100	UNION CONNECTOR 60 MM FEEDING PIPE COMPLETE	4

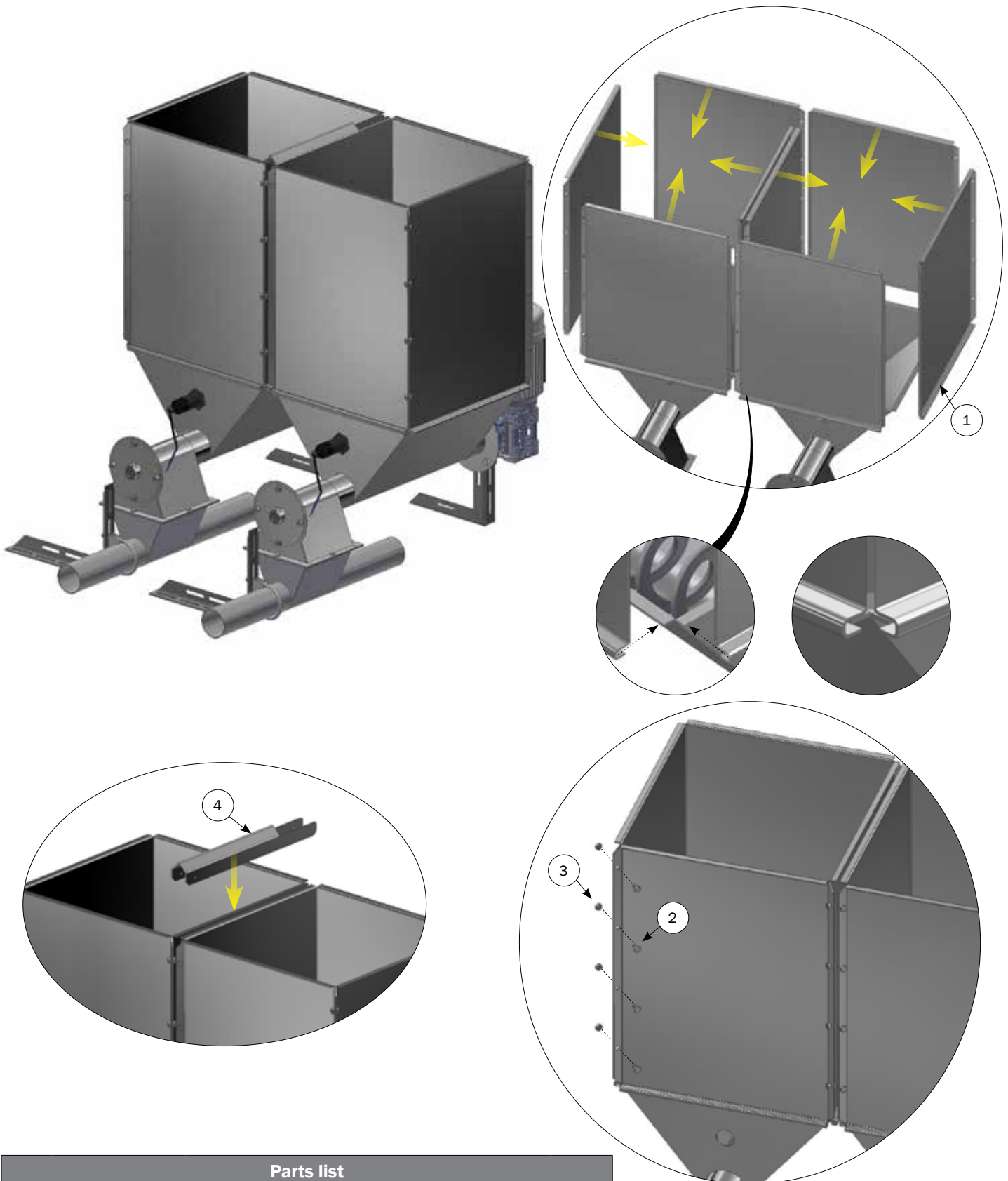
For mounting the reception unit, see mounting instructions M-1057: FLEX AUGER RECEPTION UNIT
 For rules of mounting, see M-1051: DRY FEEDING SYSTEMS OVERVIEW AND RULES

Montering of support legs



Parts list			
	Item No.	Description	Pcs.
1	0146-377	PIPE HANGER 20X26 CM	2
2	39900103	CLAMP SET Ø60	1
3	33506011	COLLAR HEAD NUT M6 A2 DIN 6923	1
4	30306020	SET SCREW M6X20 A2 DIN 933	1
5	0146-440	MOUNTING KIT FOR PIPE HANGER, WALL MOUNTING 6 MM	4
5.1	34906060	COACH SCREW M6X60 A2 DIN 571	8
5.2	39900000	WALL PLUG 8X40MM	8

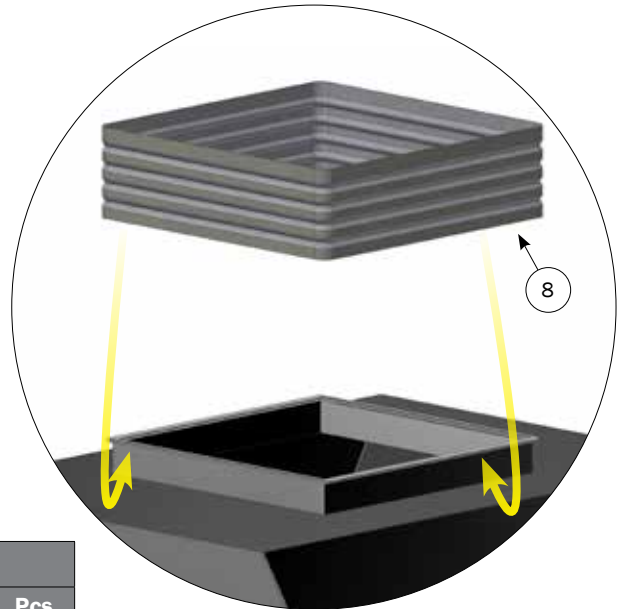
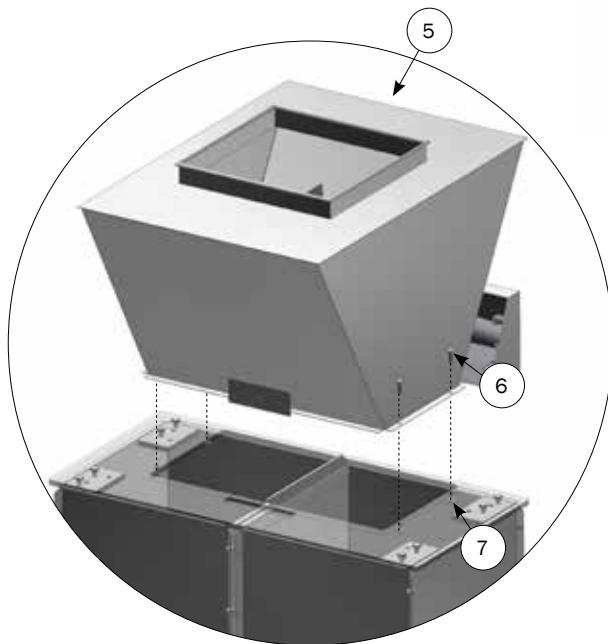
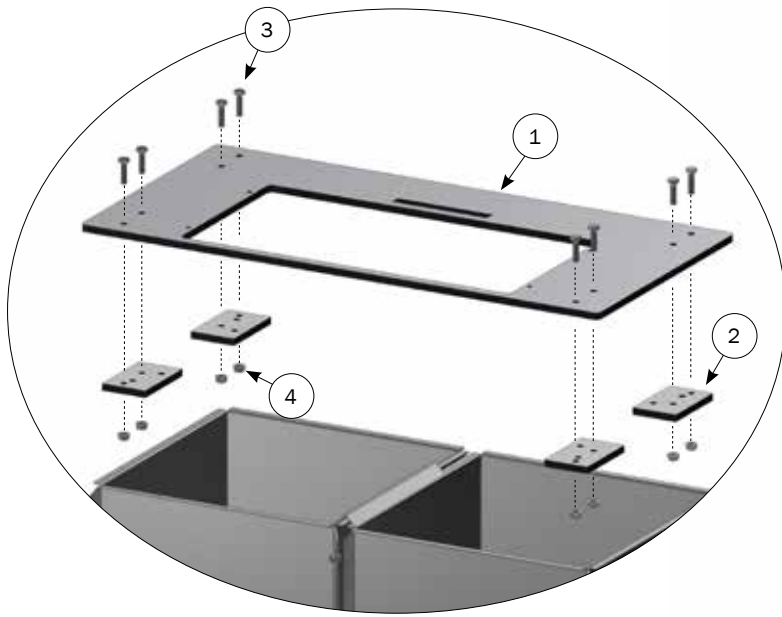
Montering of plates for funnel



Parts list

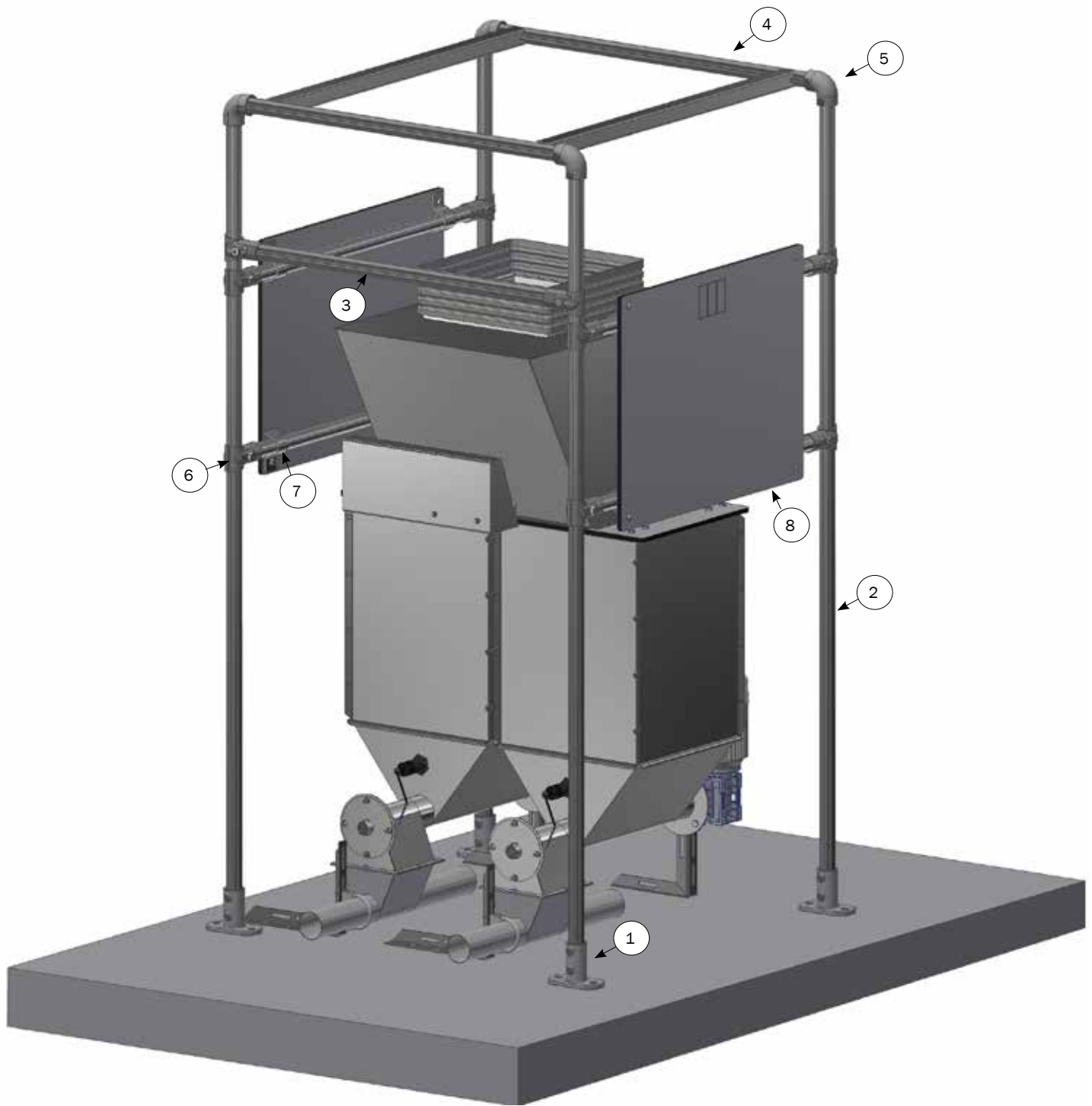
	Item No.	Description	Pcs.
1	8450731	SIDE PLATE FOR FUNNEL U-60 STAINLESS STEEL	8
2	30306010	SET SCREW M6X10 A2 DIN 933	32
3	33506010	NUT M6 A2 DIN 934	32
4	0112-008	FEED DISTRIBUTOR FUNKI SINGLE DRY 2 PIPE STRINGS	1

Installation of fiberboard lid, transition bag for funnel



Parts list			
	Item No.	Description	Pcs.
1	8470178	FIBER PLATE LID RECEPTION UNIT FOR FUNKINET SINGLE DRY	1
2	4360415	SPACER TOP H750	4
3	30308030	SET SCREW M8X30 A2 DIN 9	8
4	68552	COLLAR HEAD NUT M8 A2 DIN 6923	8
5	0170-551	2 WAYS COMBI INOX WITH ELECTRO PNEUMATIC	1
6	30306020	SET SCREW M6X20 A2 DIN 933	4
7	33506011	COLLAR HEAD NUT M6 A2 DIN 6923	4
8	0170-553	TRANSITION BAG FUNKI SINGLE DRY	1

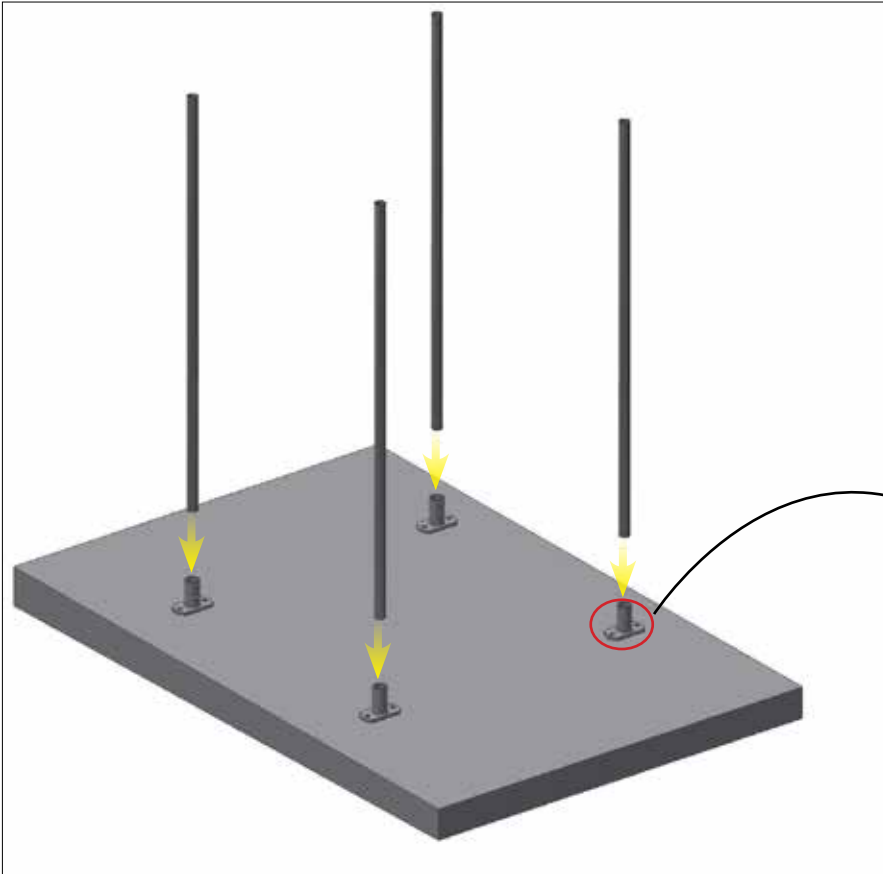
Assembly of support structure



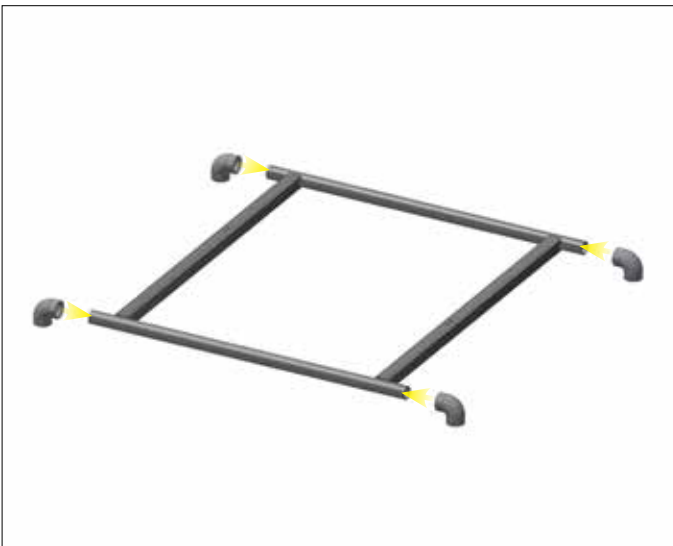
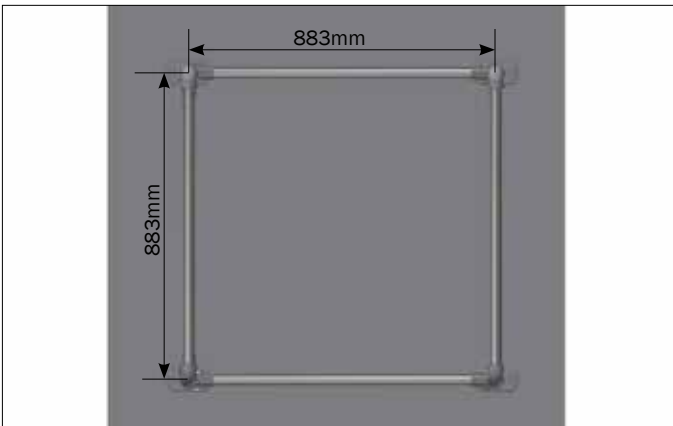
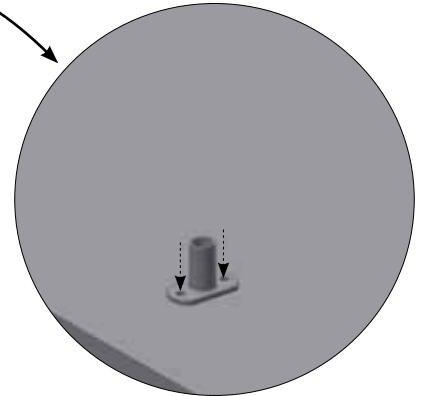
Parts list

	Item No.	Description	Pcs.
1	2010701	1" TUBE FITTINGS WITH BASE PLATE FOR WALL AND BOARD PROFILE	4
2	0170-568	1" GALVANIZED PIPE FUNKI SINGLE DRY 2 PIPELINES VERTICAL	4
3	0170-566	1" GALVANIZED PIPE FUNKI SINGLE DRY HORIZONTAL	5
4	0170-561	SUPPORT FOR FUNKI SINGLE DRY	1
5	2010703	1" TUBE FITTINGS 90 °	4
6	20053	1" T-PIPE HOLDER KIT INCL. SCREWS	10
7	16375	PIPE RETAINER 1" WITHOUT BOLT	8
8	0170-563	PLATE FOR FUNKI SINGLE DRY	2

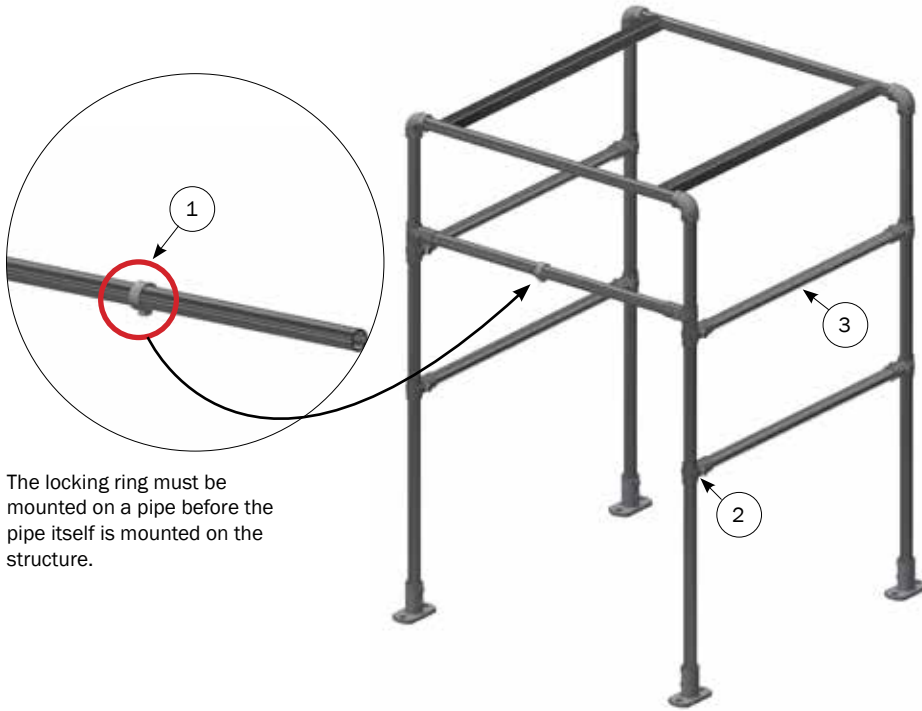
Assembly of support structure



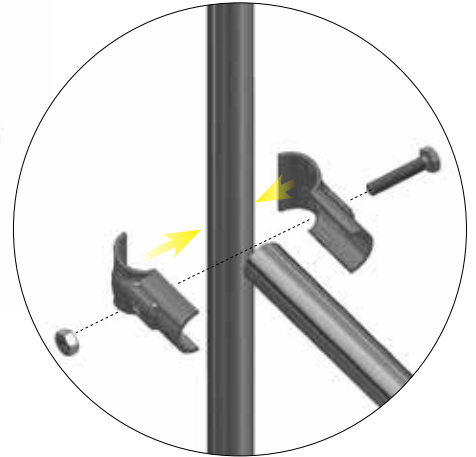
Must be purchased separately.
For installation in concrete use:
8 pieces "4800010"



Assembly of support structure

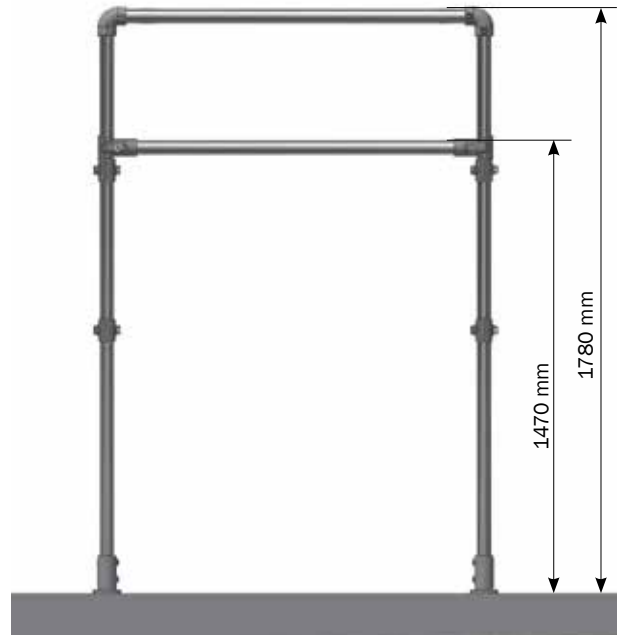
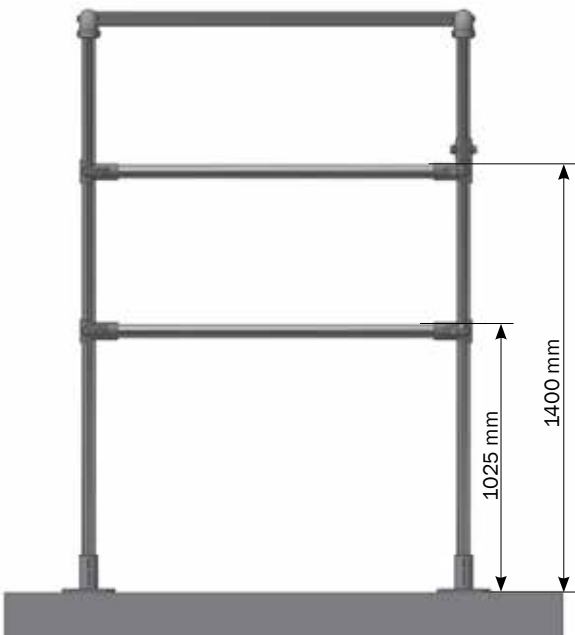


The locking ring must be mounted on a pipe before the pipe itself is mounted on the structure.

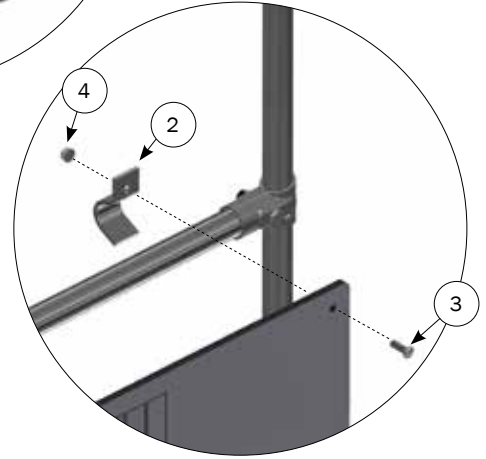
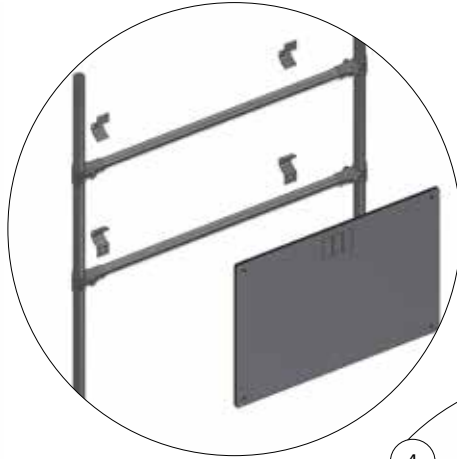


Parts list

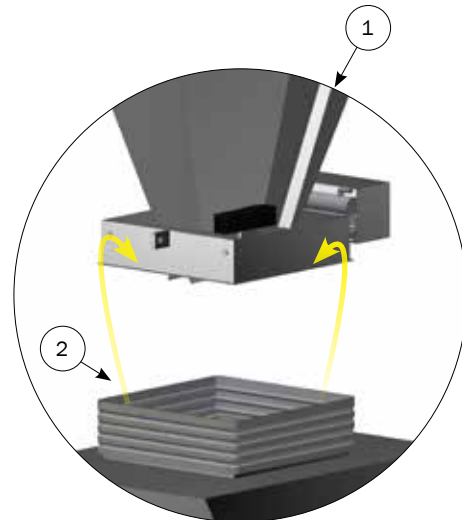
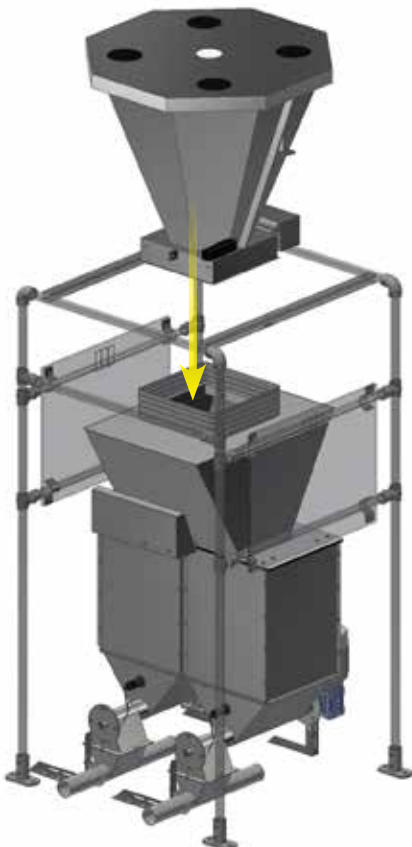
	Item No.	Description	Pcs.
1	4620015	LOCKING RING FOR 1" PIPE	1
2	20053	1" T-PIPE HOLDER KIT INCL. SCREWS	10
3	0170-566	1" GALVANIZED PIPE FUNKI SINGLE DRY HORIZONTAL	5



Assembly of funnel

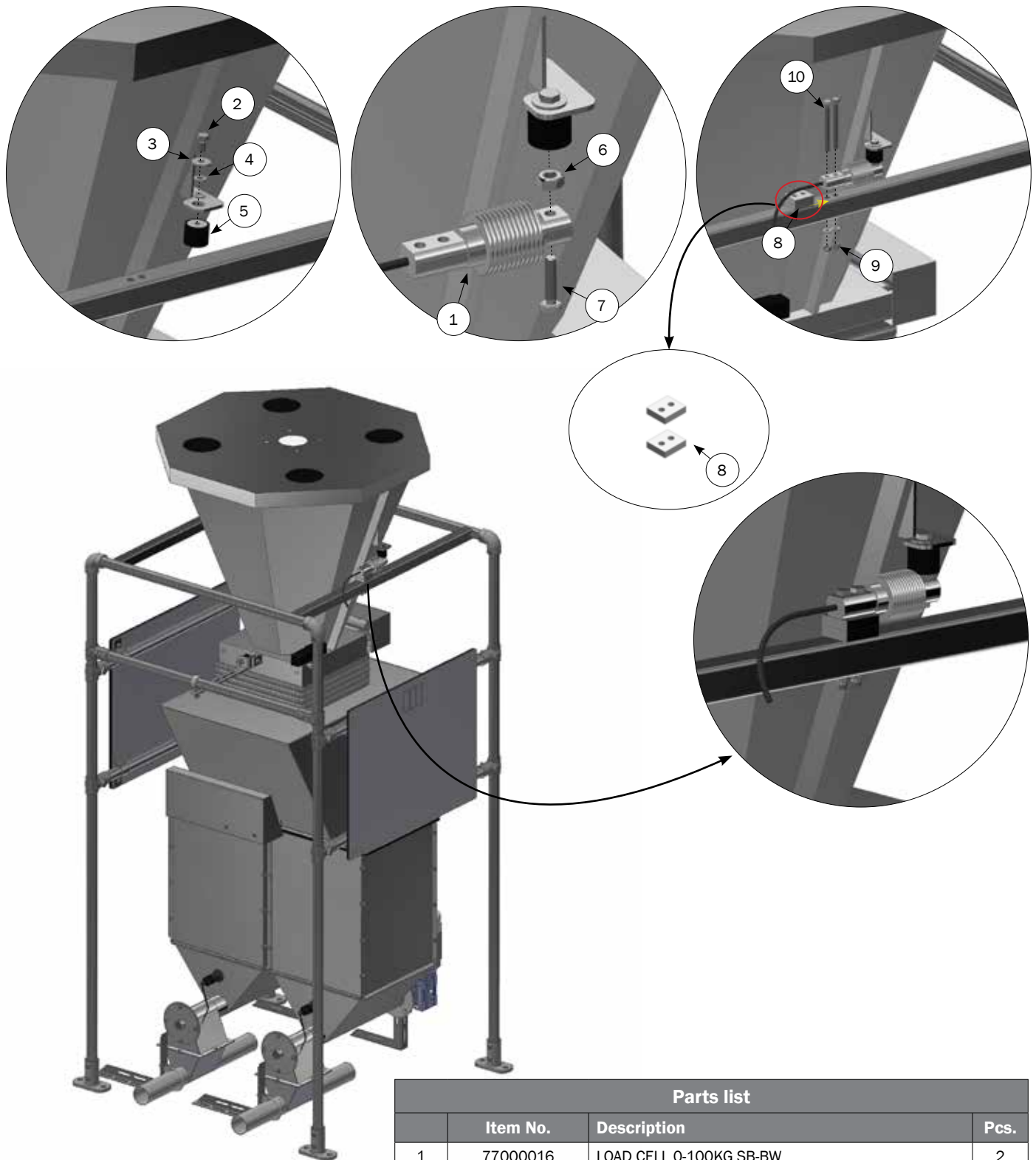


Parts list			
	Item No.	Description	Pcs.
1	0170-563	PLATE FOR FUNKI SINGLE DRY	2
2	16375	PIPE RETAINER 1" WITHOUT BOLT	8
3	67340	HEXAGON SOCKET SCREW M8X25 A2	8
4	68552	COLLAR HEAD NUT M8 A2 DIN 6923	8



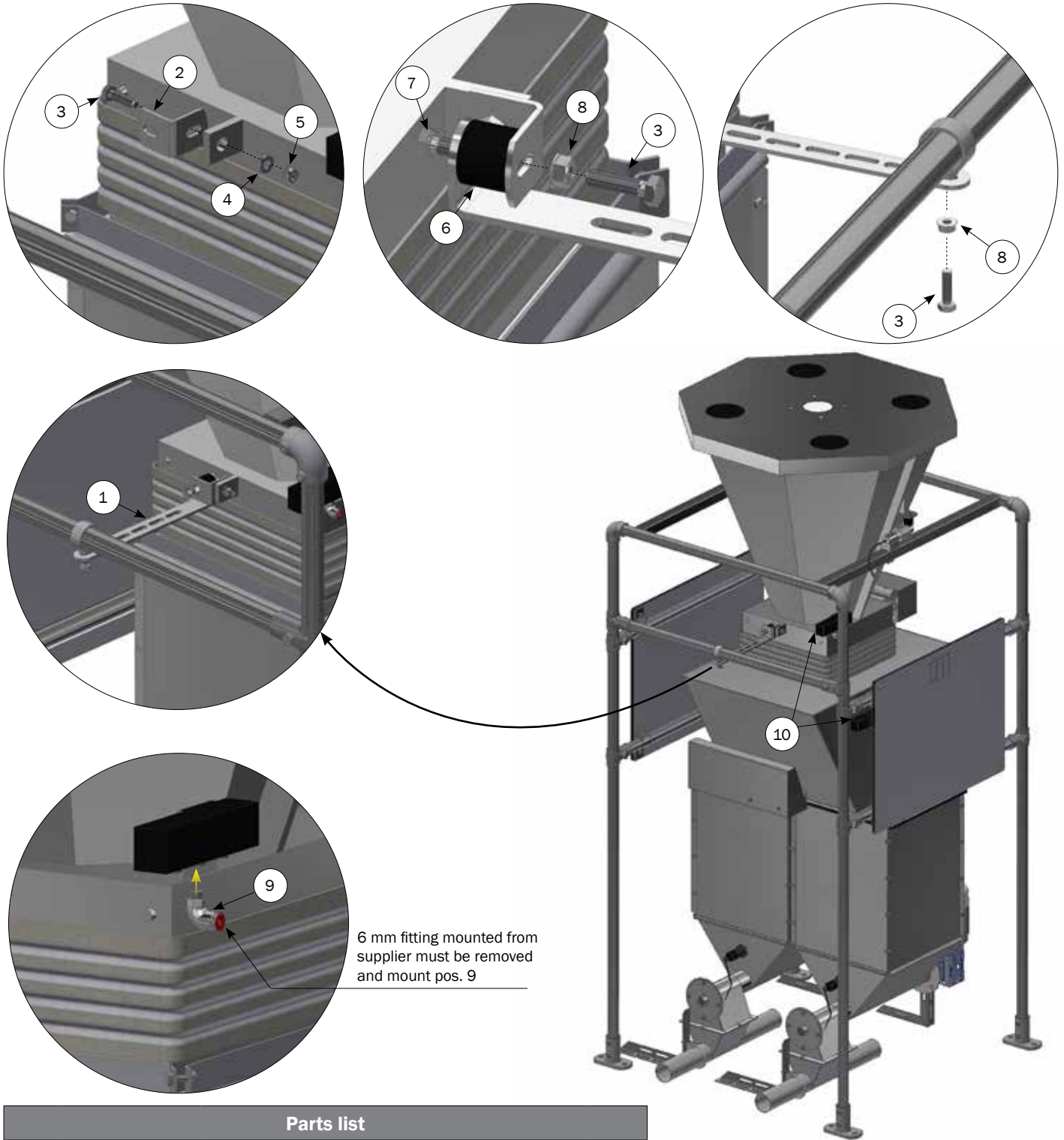
Parts list			
	Item No.	Description	Pcs.
1	0170-552	HOPPER FOR WEIGHING FUNKI SINGLE DRY EXCL. MIXER	1
2	0170-553	TRANSITION BAG FUNKI SINGLE DRY	1

Assembly of load cell



Parts list			
	Item No.	Description	Pcs.
1	77000016	LOAD CELL 0-100KG SB-BW	2
2	30308016	SET SCREW M8X16 A2 DIN 933	2
3	35600058	WASHER Ø8.4X24X2 MM A2 DIN 9021	2
4	35600037	FLAT WASHER Ø8.4X16X1.6 MM A2 DIN 125A	8
5	39408058	VIBRATION DAMPER BOLT M8	2
6	33510017	NUT M10 A2 DIN 934 WAXED	2
7	30308035	SET SCREW M8X35 A2 DIN 933	2
8	0170-562	SPACER FOR LOADCELL	4
9	33908001	LOCK NUT M8 A2 DIN 985 WAXED	4
10	32308091	SET SCREW M8X90 A2 DIN 933	4

Installation of stabilization brackets

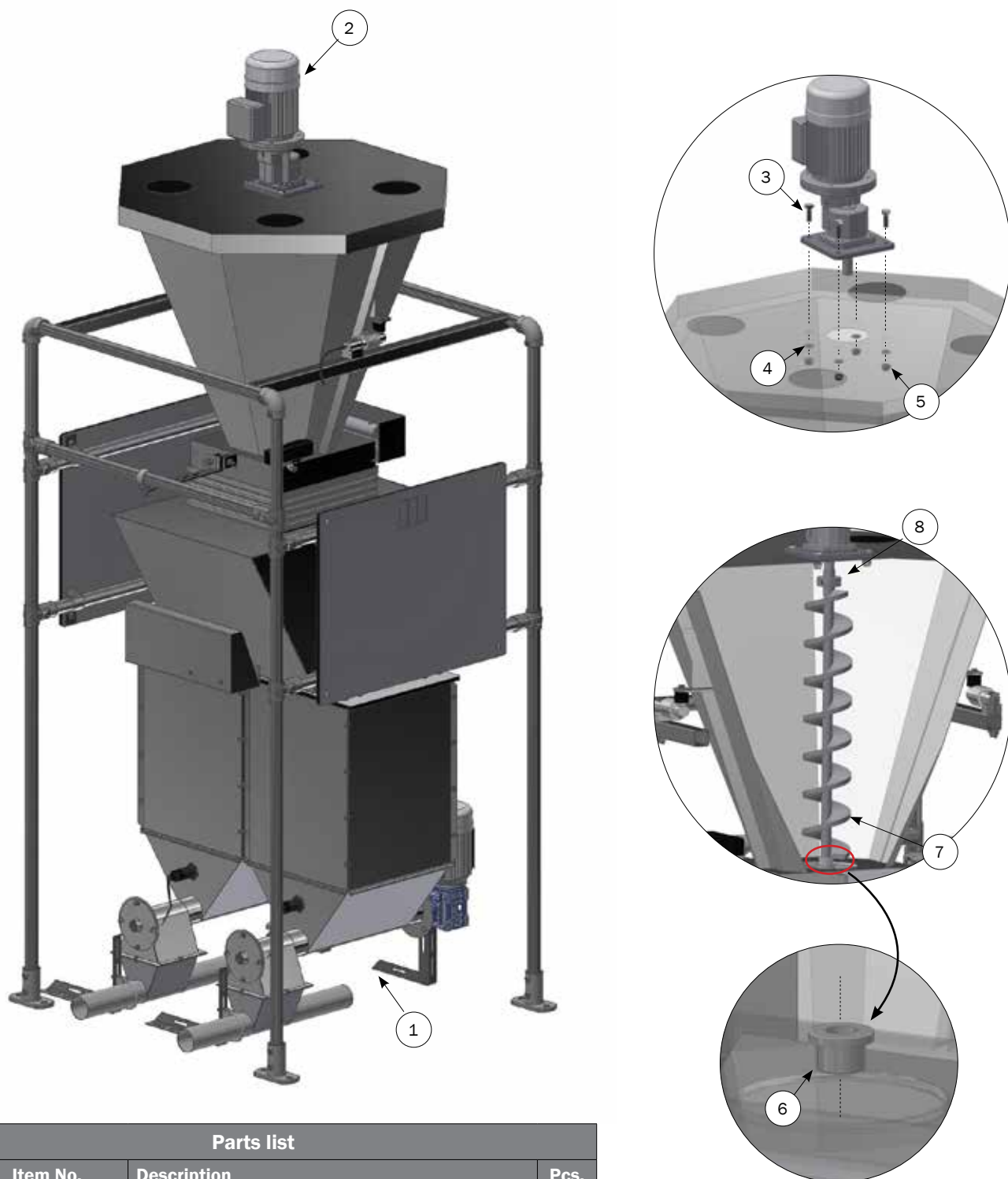


6 mm fitting mounted from supplier must be removed and mount pos. 9

Parts list

	Item No.	Description	Pcs.
1	0170-564	BRACKET FOR STABILIZATION STAINLESS STEEL	1
2	30900	WALL BRACKET SMALL	1
3	30308030	SET SCREW M8X30 A2 DIN 933	3
4	35600037	FLAT WASHER Ø8.4X16X1.6 MM A2 DIN 125A	8
5	33908001	LOCK NUT M8 A2 DIN 985 WAXED	2
6	39408058	VIBRATION DAMPER BOLT M8	2
7	30308012	SET SCREW M8X12 A2 DIN 933	2
8	68552	COLLAR HEAD NUT M8 A2 DIN 6923	2
9	12100208	QUICK COUPLING, ANGEL 8/6-1/8"	1
10	0223-060	COMPLETE 5/2 WAY SOLENOID VALVE FOR FOR SINGLE DRY	2

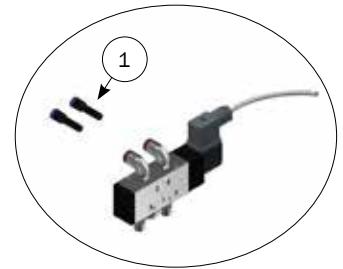
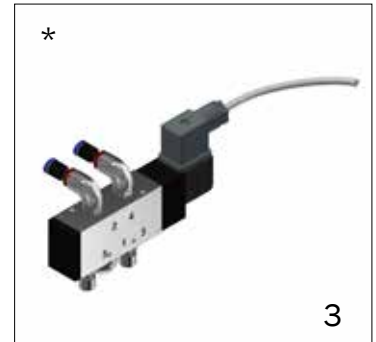
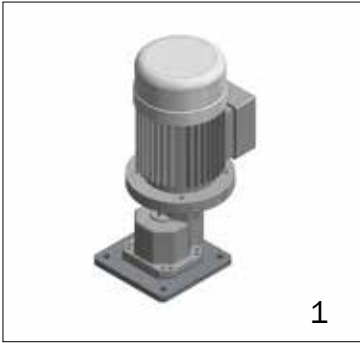
Funki single dry 1 pipeline with agitator



Parts list

	Item No.	Description	Pcs.
1	0170-560	FUNKI SINGLE DRY 2 PIPELINES WITH AGITATOR	1
2	45100641	GEAR MOTOR 0,55 KW IE1	1
3	30310030	SET SCREW M10X30 A2 DIN 933	4
4	35600038	FLAT WASHER Ø10.5X20X2 MM A2 DIN 125A	4
5	33900029	LOCK NUT M10 A2 DIN 985 WAXED	4
6	8500520	BUSHING FOR SINGLE DRY	1
7	0170-573	MIXER SINGLE DRY	1
8	0170-574	SINGLE DRY CLUTCH GEARMOTOR/MIXER	1

Spare parts



Spare parts		
	Item No.	Description
1	45100641	GEAR MOTOR 0,55 KW IE1
2	8500520	BUSHING FOR SINGLE DRY
3	0223-060	COMPLETE 5/2 WAY SOLENOID VALVE FOR FOR SINGLE DRY

*Quick couplers 12100212 (1) must be used for 8 mm hose.

