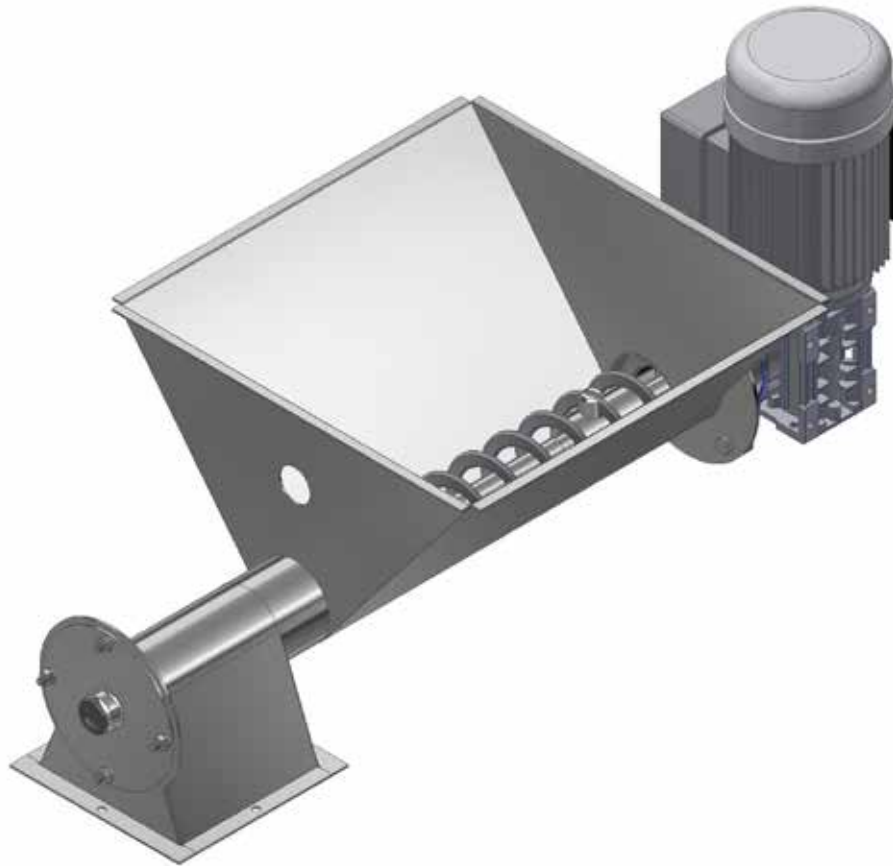


MOUNTING INSTRUCTIONS



FLEX AUGER RECEPTION UNIT



ACO FUNKI A/S
Kirkevænget 5
DK-7400 Herning

Tel. +45 9711 9600
www.acofunki.com
www.egebjerg.com

GENERAL INFORMATION

1. Manufacturer and product data

Manufacturer: ACO Funki A/S
Kirkevænget 5, Gjellerup
DK-7400 Herning
Denmark
Tel. +45 97 11 96 00

Product type: Flex auger reception unit Ø76

Every effort has been made to ensure that the contents of this manual are correct. However, should you discover any errors, please inform ACO Funki A/S immediately so that they can be corrected.

Despite our efforts, ACO Funki A/S accepts no liability whatsoever for possible errors in the manual or for the consequences of such errors.

ACO Funki A/S reserves the right to change the contents of the manual without prior notice.

1.1 General safety instructions

This product has been designed and manufactured in accordance with the latest engineering standards and acknowledged safety regulations, making it highly reliable. The product may, however, be dangerous for operators or third parties and may cause material damage if operated by unqualified persons or for purposes other than that described in section 5.1.

The following safety instructions must therefore be carefully read and observed.

- The product must only be used for its intended purpose, as described in section 5.1. The general instructions regarding safety and accident prevention must be observed at all times.
- Qualified personnel are persons who by reason of their training, experience or instruction and their knowledge of relevant standards and regulations, accident prevention instructions and operating conditions have been authorised by the person responsible for the safety of the machine to perform appropriate everyday activities, including the identification and prevention of potentially hazardous situations (IEC 364).
- The machine must only be operated by trained personnel. Children may only operate the machine if over 16 years of age, supervised by a qualified adult and where such operation forms part of their training/education.
- To ensure personal safety and reliable operation, only original accessories and spare parts from ACO Funki A/S must be used.
- For safety reasons, unauthorised machine alterations are not permitted.
- Maintenance and repair (of electrical parts in particular) must only be performed by qualified and trained personnel.
- Voltage-carrying, pressure-activated and rotating or in any other way moving machine parts may cause serious or fatal injury if operated incorrectly or if safety instructions are not observed.
- Protection devices must never be disconnected during operation and must never be altered or weakened in relation to their intended effect.
- Current national and international guidelines and regulations regarding accident prevention must be observed at all times, as must general safety requirements.

NOTE: THE DANISH VERSION IS THE ORIGINAL SAMPLE, ALL OTHER LANGUAGE VERSIONS REFER TO THE ORIGINAL SAMPLE.

SYMBOL EXPLANATION

1.2 Key symbols

If the safety instructions described in this manual are not observed, personal injury or material damage may result. Such damage may prevent the machine from functioning correctly. Safety instructions and instructions for trouble-free operation are accompanied by the following symbols:



Warning symbol in accordance with ISO 3864 B.3.1.
Caution: risk of personal injury or material damage.



Warning symbol in accordance with ISO 3864 B.3.6.
Caution: risk of electric shock.



Information symbol in accordance with ISO 3864 8.4.
Important instructions for preventing damage to the machine and its function.
Instructions for reliable, problem-free operation.

Sections of this manual accompanied by one of these symbols should be read with particular care!

DECLARATION OF CONFORMITY

ACO Funki A/S hereby declares that:

Machine: Flex Auger reception unit Ø75

Application: The Flex Auger must only be used for dry feed (pelleted or meal).

Article No.: 0170-550

Flex Auger are manufactured in accordance with the Council Directive of 10/06/2013 Machinery Directive 2006/42/EC as amended, Electromagnetic compatibility 2014/30/EU

Standards: Compliance is declared according to the following standards:

- DS/S-250 Machine safety
- DS/S-544 Safety of machinery - Electrical equipment on machines - Part 1
- DS/S-517/U-02 Low voltage switchboards



ACO Funki A/S



Kirkevænget 5, DK-7400 Herning



www.acofunki.dk



acofunki@acofunki.dk



+45 9711 9600



01.02.2023



ACO Funki A/S
Lene Bryde

TECHNICAL SPECIFICATIONS

3.1 Article No.

Flex Auger reception unit Ø75 0170-550

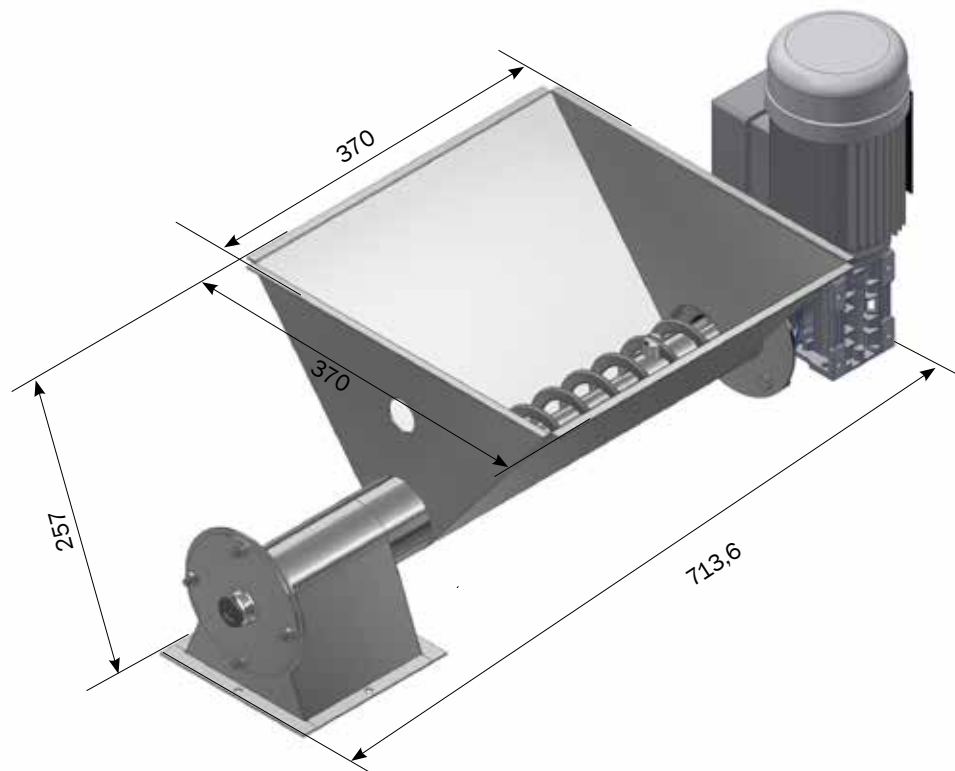
3.2 Application

The Flex Auger reception unit is for dry feed (pelleted or ground feeds).

3.3 Materials

The Flex Auger reception unit is made in stainless steel.

3.4 Dimensioned drawing




3.5 Weight

All article No.: 12 kg

POWER-REQUIREMENTS

3.6 Power supply

Specifications for motor							
	Varenr.	IE Nr.	U	F	I	kW	
	45100635	01	240V / 400V	50Hz / 60Hz	1,15A / 0,67A	0,18	1365 / 1640
1	45100633						
2	45100630						



HANDLING

4.1 General handling instructions

The product must not be subjected to impact, sudden temperature changes, direct sunlight, damp surroundings or strong electromagnetic fields.

4.2 Transport packaging

The product is delivered packaged. Do not remove the packaging until the product has been transported to the installation site.

4.3 Storage

The product must be stored in a warm, dry place.

4.4 Unpacking

On delivery, check the product for transport damage. ACO Funki must be informed of any transport damage without delay. If the product is damaged in any way, it must not be taken into operation.

5.1 Electrical connections



All cables must comply with current regulations. Note that there may be special requirements on the use of reinforced cables in agricultural buildings. ACO Funki accepts no liability for damage caused by the use of unsuitable cables or incorrect installation.

- Before connecting the equipment to the power supply, check that the mains voltage and frequency are compatible with the equipment to be used.
- The motor must be protected by a motor protector in accordance with current regulations regarding the connection of electric drives. Check that the motor protector settings comply with the data stated on the motor name plate.
- Before connecting the motor, check the phase order for motor rotation direction.

5.1.1 Power supply

Connect the reception unit electric motor to the mains.

See also section 3.6 Power requirements (voltage, output, power consumption, speed).

5.2 Main and emergency power circuit breaker

The machine must always be equipped with a mains circuit breaker in accordance with current regulations.

5.3 Connection to other equipment



Control unit: see instructions for unit concerned.
Drive unit: see instructions for unit concerned.

5.4 Possible hazards during installation

The reception unit contains heavy and sharp parts. Always wear work gloves and protective footwear when working on the reception unit.

5.5 Risks resulting from assembly errors

Pay attention to the direction of rotation of the motor when connecting the electricity .
Motor protection is adjusted in relation to the power of the electric motor.

WARNINGS

6.1 Intended use

The Flex Auger must only be used for dry feed (pelleted or meal).

If, despite this instruction, the product is used for purposes other than its intended use, the warranty and all other liabilities will be waived.

6.2 Expected operator contact

As the Flex Auger is usually operated via a control system, personnel will not be in direct contact with the reception unit.

6.3 Special safety instructions

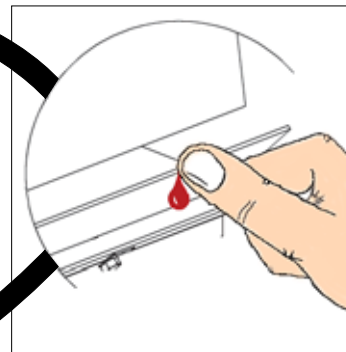
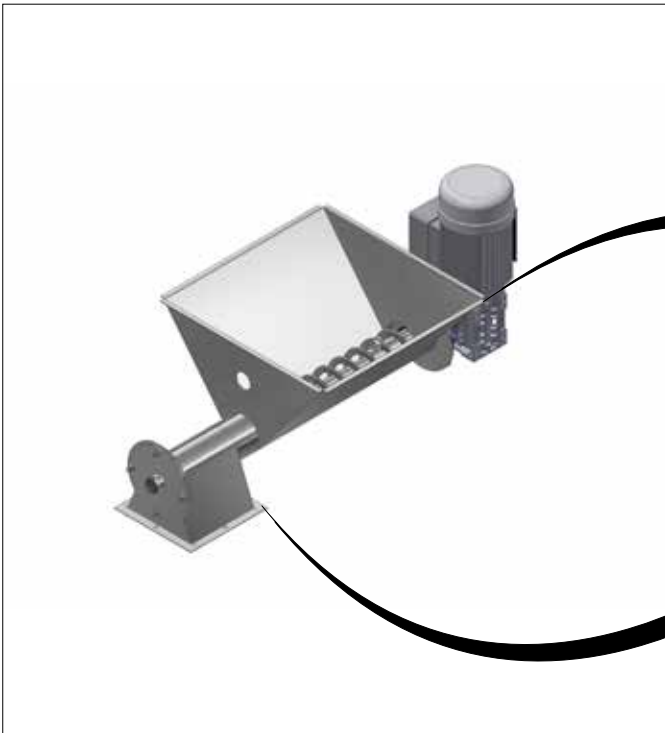
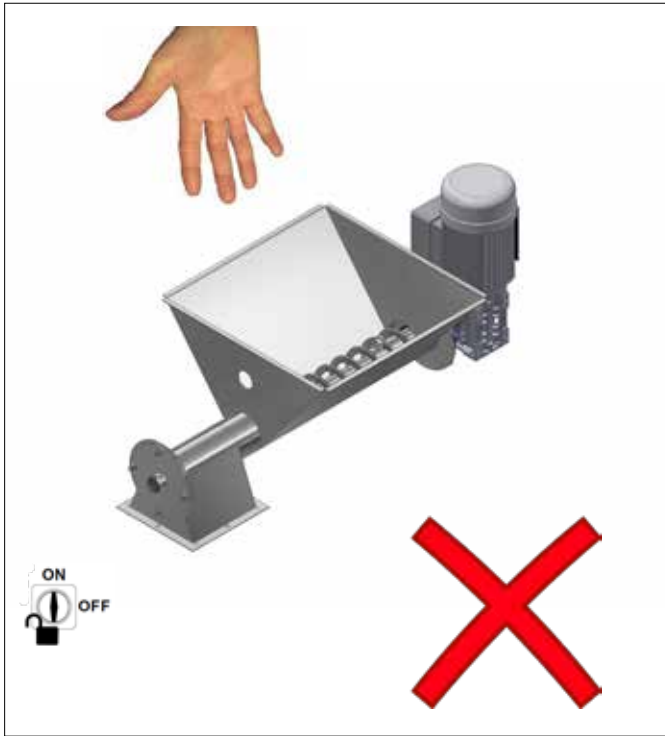


Can be driven without a funnel.

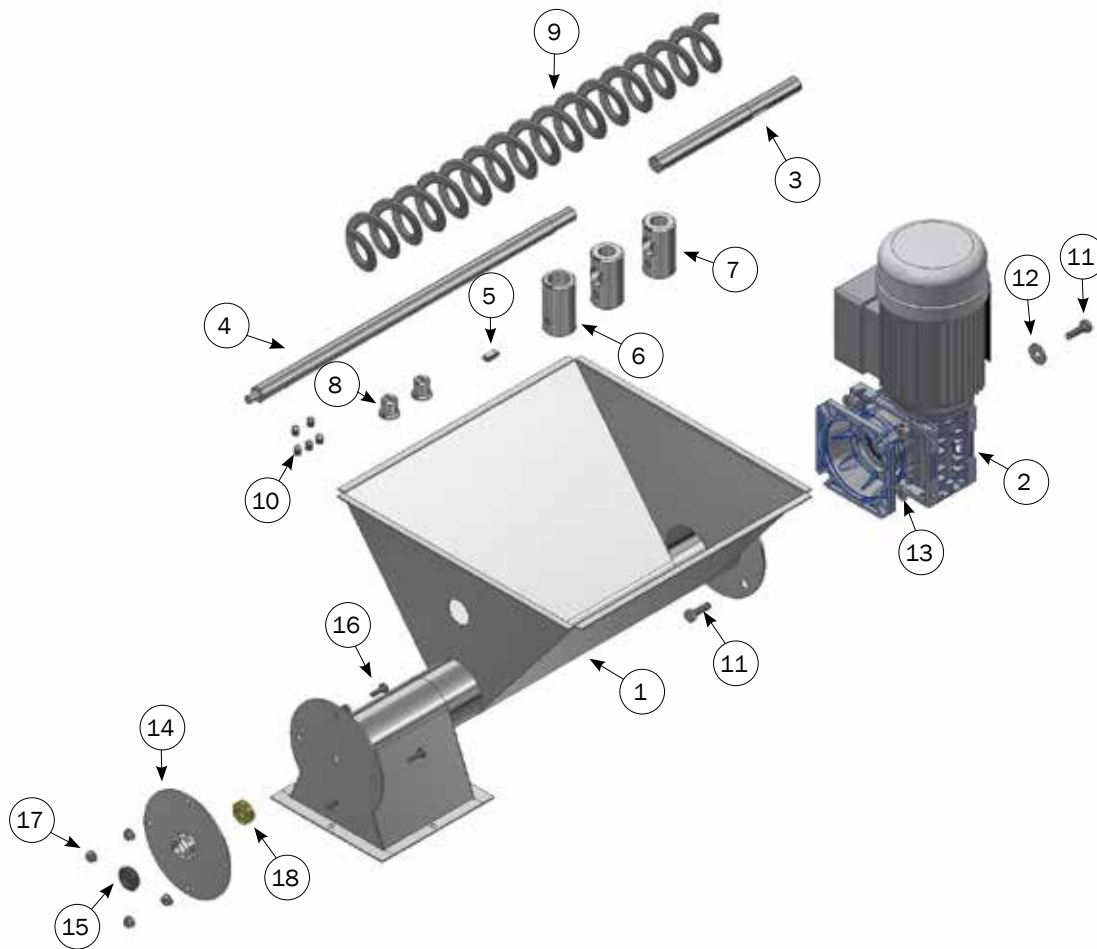
If this regulation is not observed, there is a risk of getting fingers caught in the auger.

The machine may start automatically.

WARNINGS

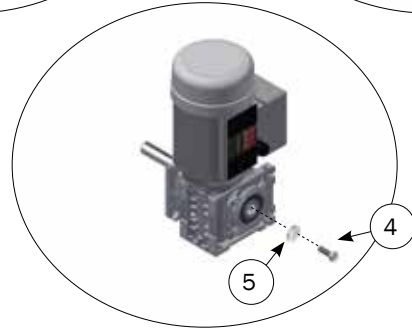
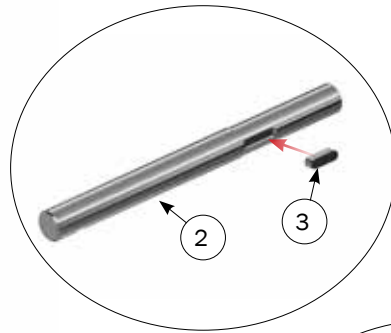
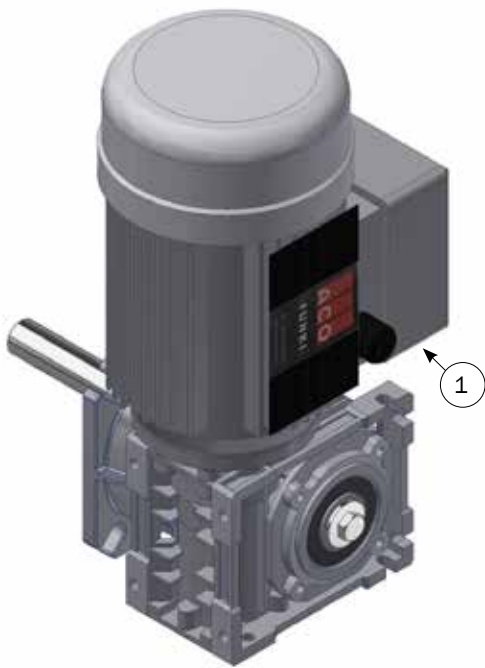


PARTS LIST

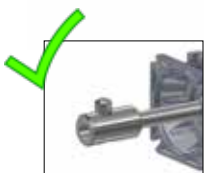
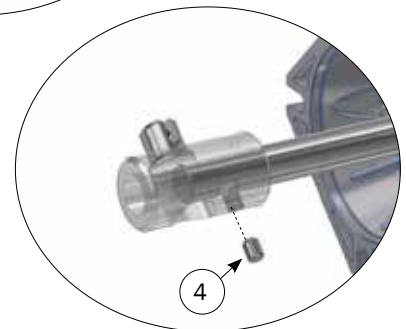
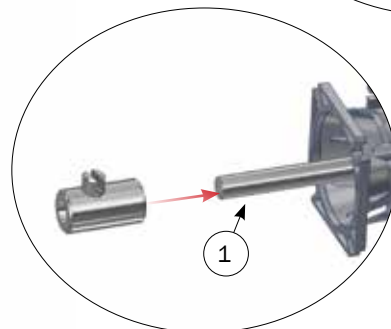
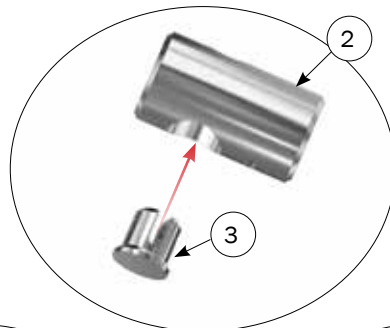


Parts list			
	Item NO	Description	Pcs.
	0170-550	FLEX AUGER RECEPTION UNIT Ø76	
1	0170-510	BOTTLE Ø76 FLEX-SNEGL	1
2	45100635	GEAR MOTOR 0.18KW 1380 RPM / I=7.5	1
3	0170-546	SHORT SHAFT FOR FLEXAUGER RECEPTION UNIT	1
4	0170-547	LONG SHAFT FOR FLEXAUGER RECEPTION UNIT	1
5	0127-183	PARALLEL KEY A6X6X20 DIN 6885	1
6	0170-540	REDUCE FLEXAUGER	1
7	0170-541	HOLDER 1 FOR FLEXAUGER	2
8	0170-542	HOLDER 2 FOR FLEXAUGER	2
9	83000006	FLEX AUGER FOR PIPE Ø75MM	0,6m
10	39908010	POINTED SCREW M8X10 BLACK DIN 916	5
11	30308025	SET SCREW M8X25 A2 DIN 933	5
12	35600058	WASHER Ø8.4X24X2 MM A2 DIN 9021	1
13	68552	COLLAR HEAD NUT M8 A2 DIN 6923	4
14	0212-221	BEARING HOUSING ST 38/60 MM RECEPTION UNIT TYPE M	1
15	23900303	BUSH	1
16	30306016	SET SCREW M6X16 A2 DIN 933	3
17	33506011	COLLAR HEAD NUT M6 A2 DIN 6923	4
18	44006000	BALL BEARING 6000-2RS1	1

MOUNTING INSTRUCTION

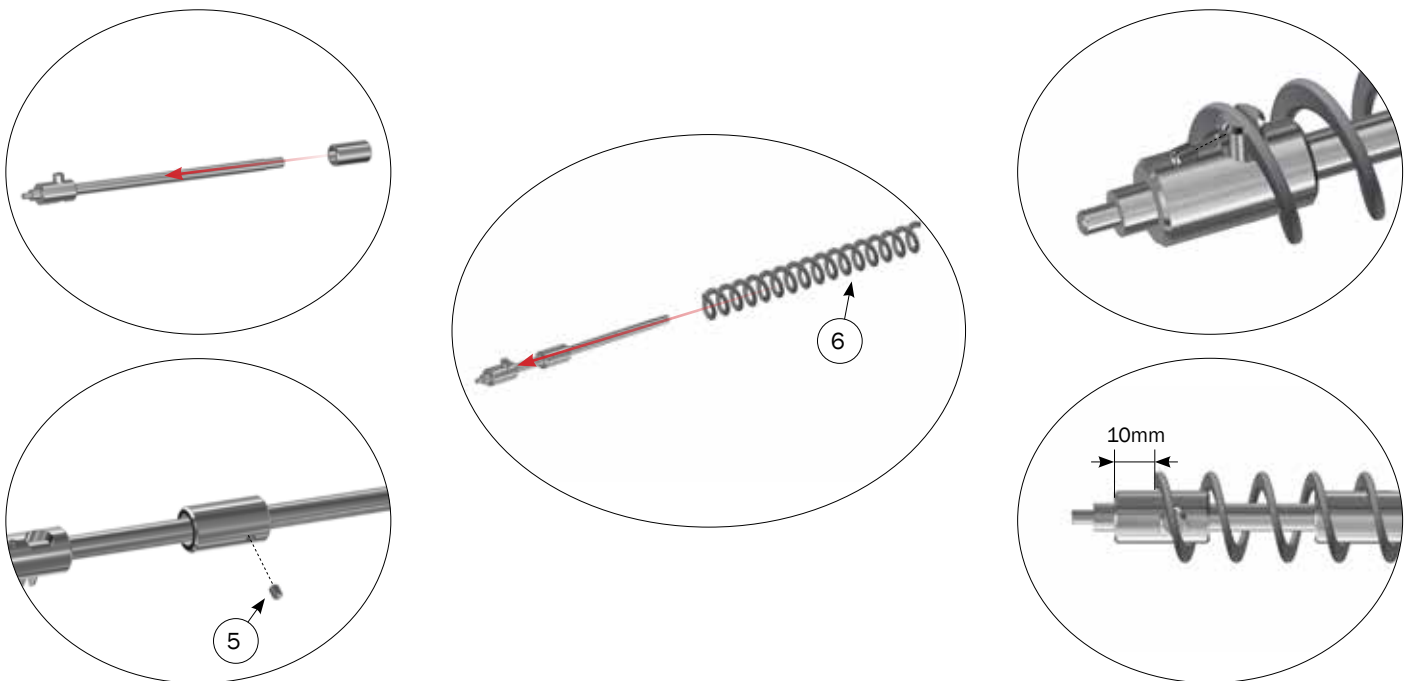
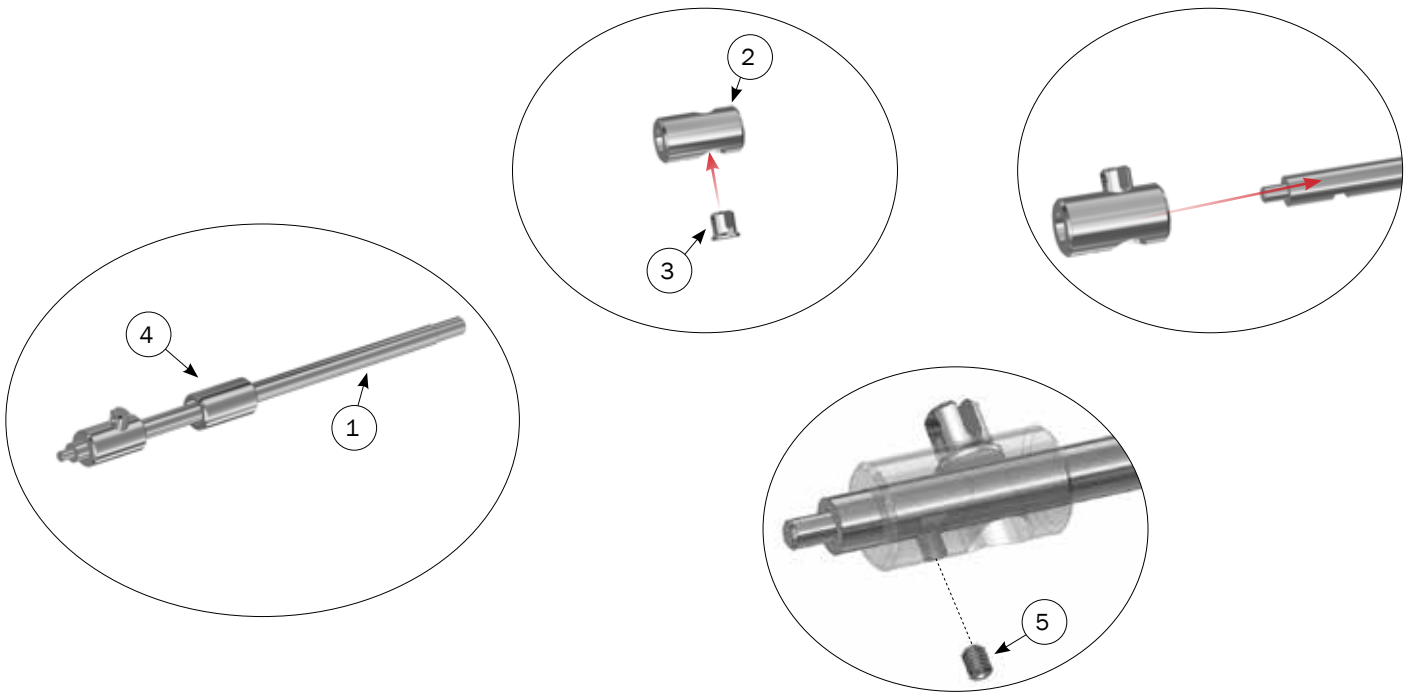


	Item NO	Description	Pcs.
1	45100635	GEAR MOTOR 0.18KW 1380 RPM / I=7.5	1
2	0170-546	SHORT SHAFT FOR FLEXAUGER RECEPTION UNIT	1
3	0127-183	PARALLEL KEY A6X6X20 DIN 6885	1
4	30308025	SET SCREW M8X25 A2 DIN 933	1
5	35600058	WASHER Ø8.4X24X2 MM A2 DIN 9021	1



	Item NO	Description	Pcs.
1	0170-546	SHORT SHAFT FOR FLEXAUGER RECEPTION UNIT	1
2	0170-541	HOLDER 1 FOR FLEXAUGER	1
3	0170-542	HOLDER 2 FOR FLEXAUGER	1
4	39908010	POINTED SCREW M8X10 BLACK DIN 916	1

MOUNTING INSTRUCTION

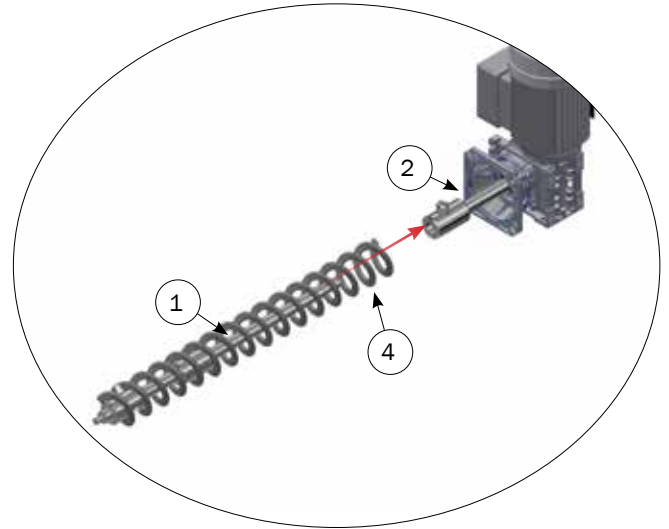
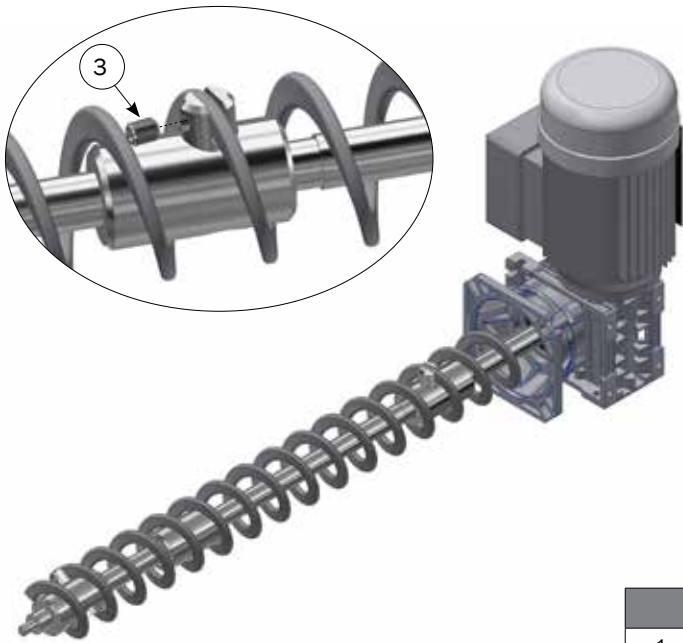


Item NO	Description	Pcs.
1	LONG SHAFT FOR FLEXAUGER RECEPTION UNIT	1
2	HOLDER 1 FOR FLEXAUGER	1
3	HOLDER 2 FOR FLEXAUGER	1
4	REDUCE FLEXAUGER	1
5	POINTED SCREW M8X10 BLACK DIN 916	2
6	FLEX AUGER FOR PIPE Ø75MM	0,6m

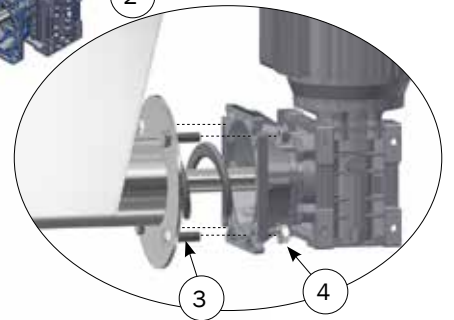
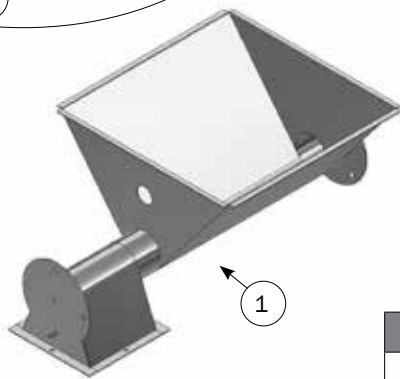
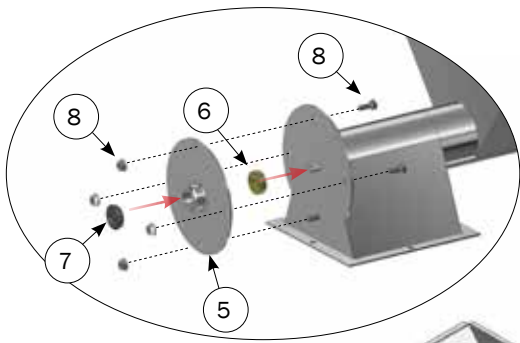


M-1057_GB

MOUNTING INSTRUCTION



	Item NO	Description	Pcs.
1	0170-547	LONG SHAFT FOR FLEXAUGER RECEPTION UNIT	1
2	0170-546	SHORT SHAFT FOR FLEXAUGER RECEPTION UNIT	1
3	39908010	POINTED SCREW M8X10 BLACK DIN 916	2
4	83000006	FLEX AUGER FOR PIPE Ø75MM	0,6m



	Item NO	Description	Pcs.
1	0170-510	BOTTLE Ø76 FLEX-SNEGL	1
2	45100635	GEAR MOTOR 0.18KW 1380 RPM / I=7.5	1
3	30308025	SET SCREW M8X25 A2 DIN 933	4
4	68552	COLLAR HEAD NUT M8 A2 DIN 6923	4
5	0212-221	BEARING HOUSING ST 38/60 MM RECEPTION UNIT TYPE M	1
6	44006000	BALL BEARING 6000-2RS1	1
7	23900303	BUSH	1
8	33506011	COLLAR HEAD NUT M6 A2 DIN 6923	4
9	30306016	SET SCREW M6X16 A2 DIN 933	3



MOUNTING INSTRUCTION

7.1 Gearbox

The gearbox should be checked for leaks, especially around stuffing boxes. In case of leakage, defective parts of the gear must be replaced with new ones, or the entire gear must be replaced.

The cooling fins of the gear must be kept clean.

7.1.1 El-motor

The engine's cooling fins and fan cover must be kept clean.

7.2 Cleaning the machine

To ensure optimal cooling of the gear and engine, these parts must be kept clean.

The recorder must be kept clean inside of feed residues, small stones, etc., which is especially important in humid environments.

DISPOSAL

Disposal must take place in accordance with applicable national regulations.

For disposal, you should contact the local product dealer so that the system is dismantled and disposed of in an environmentally most appropriate way.

Warning!

- The power supply to the motor must not be connected during disassembly.
- If the space conditions permit, disassemble the reception unit on the floor and in the opposite order as described in the assembly instructions.
- The reception unit is largely made of materials that can be recycled.
- A prerequisite for recycling is that the materials are sorted correctly.
- Machine parts smeared in oil must be wiped with a cloth. Suck possibly expired oil with paper towel; dispose of the paper properly. Oil or grease must never be poured into the drainage system or onto the ground.
- All metal parts should be handed over to the metal recycling industry.

