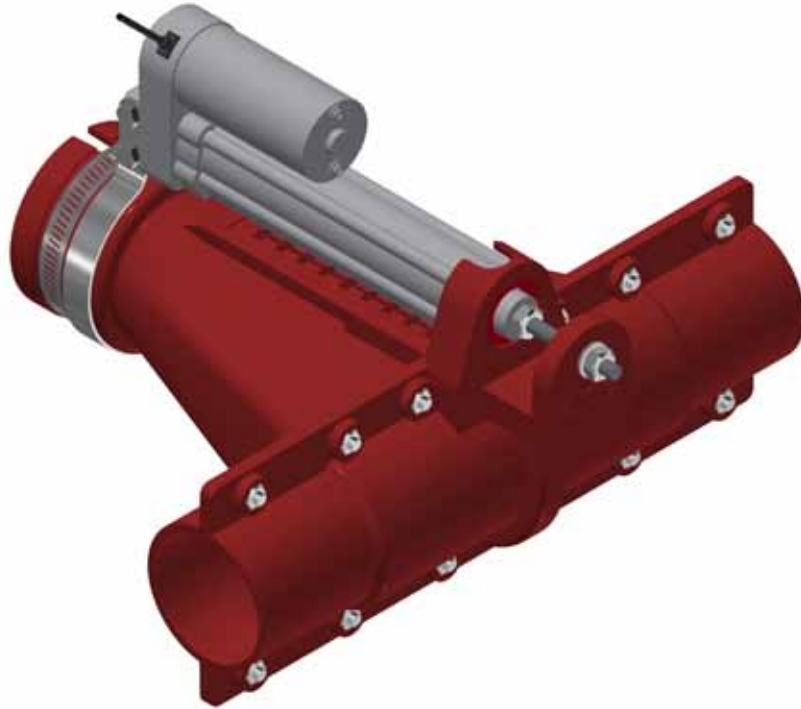


MOUNTING INSTRUCTION



MASTER DRY VALVE with elactuator 24V

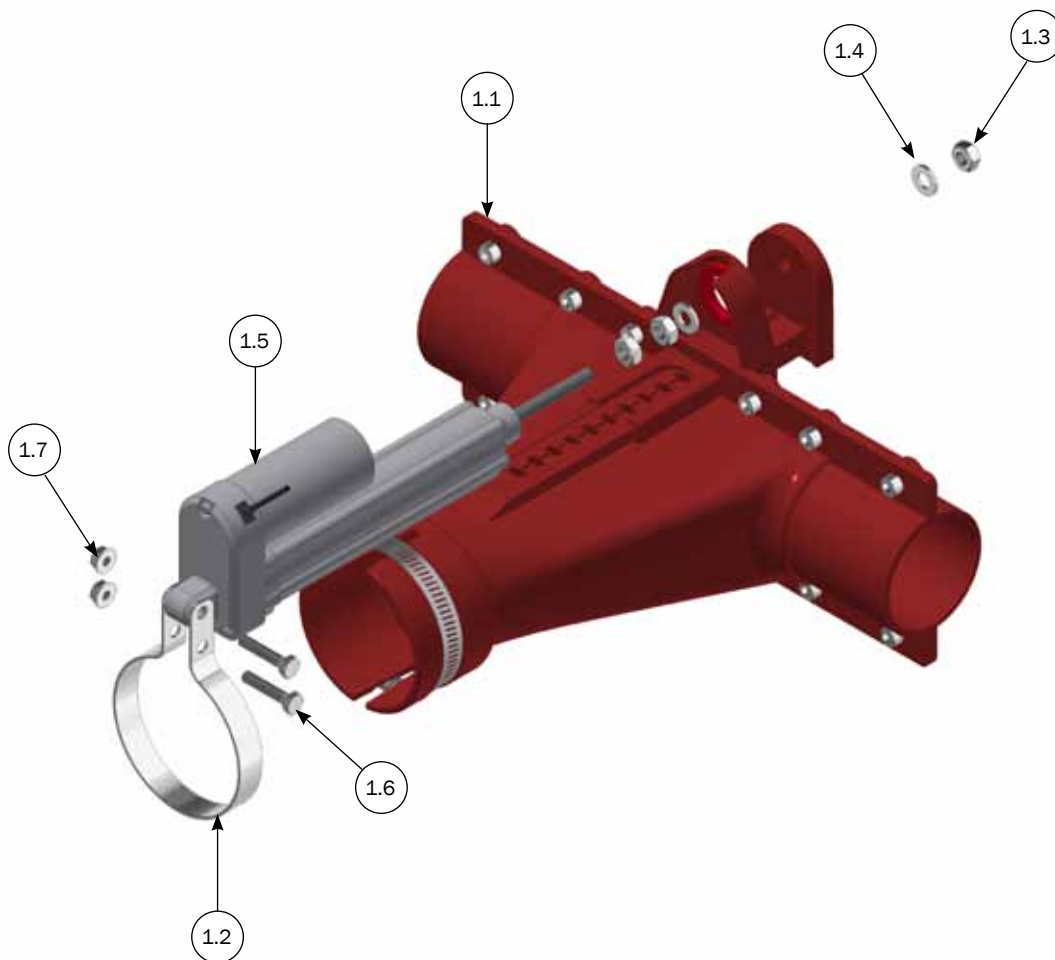


ACO FUNKI A/S
Kirkevænget 5
DK-7400 Herning

Tel. +45 9711 9600
Fax +45 9711 9677
www.acofunki.com

DANISH DESIGN | GERMAN QUALITY | GLOBAL EXPERIENCE

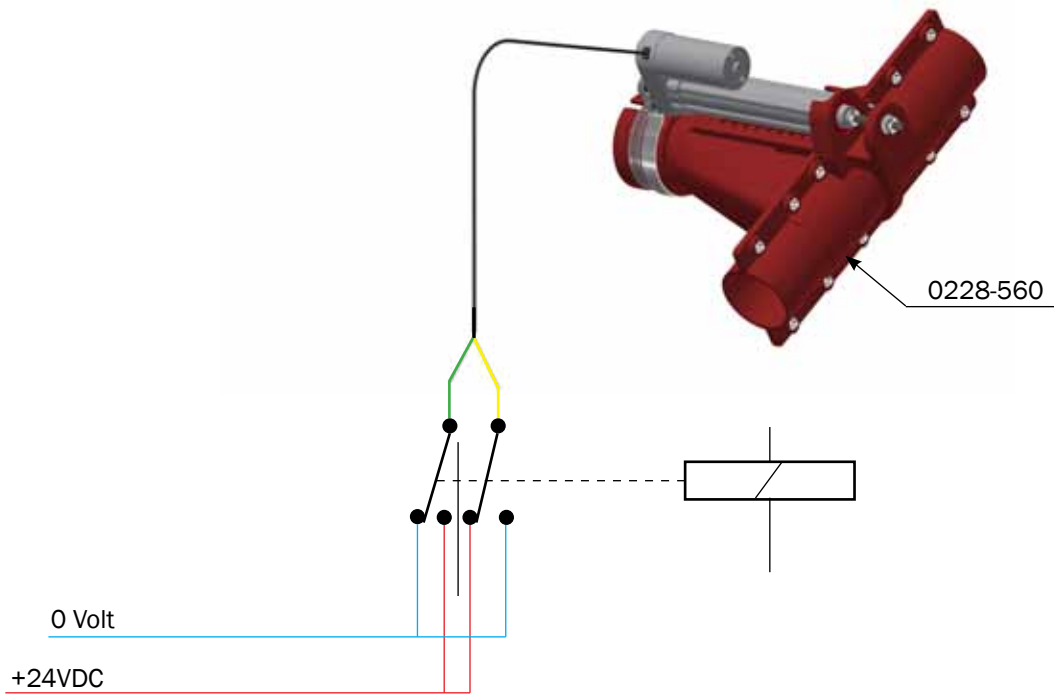
Parts list for master dry valve with elaktuator 24V



PARTS LIST			
No.	PCS.	ITEM No.	DESCRIPTION
	1	0228-560	MASTER DRY VALVE WITH LINAK ACTUATOR 24V
1.1	1	0228-543	DRYFEEDING VALVE
1.2	1	0228-591	BRACKET FOR LINAK ACTUATOR V24
1.3	3	33508013	NUT M8 A2 DIN 934
1.4	2	35600037	FLAT WASHER Ø8X8,4/16/1,6 A2 DIN 125 A
1.5	1	0228-555	EL ACTUATOR 24V
1.6	2	30306030	SET SCREW M6X30 A2 DIN 933
1.7	2	33506011	COLLAR HEAD NUT M6 A2 DIN 6923

Connection of master dry valve with linak actuator 24V

CLOSED



OPEN

