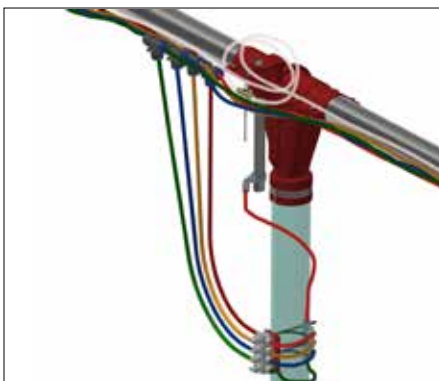


# MOUNTING INSTRUCTIONS



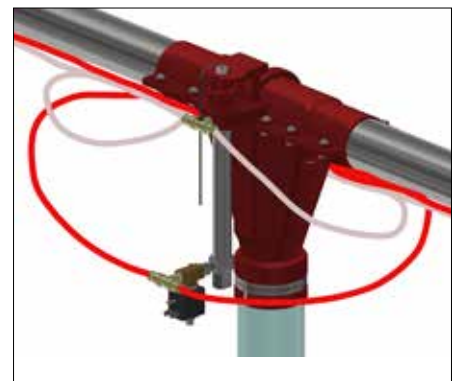
Mastervalue



Mastervalue Sow



Return valve-Mastervalue



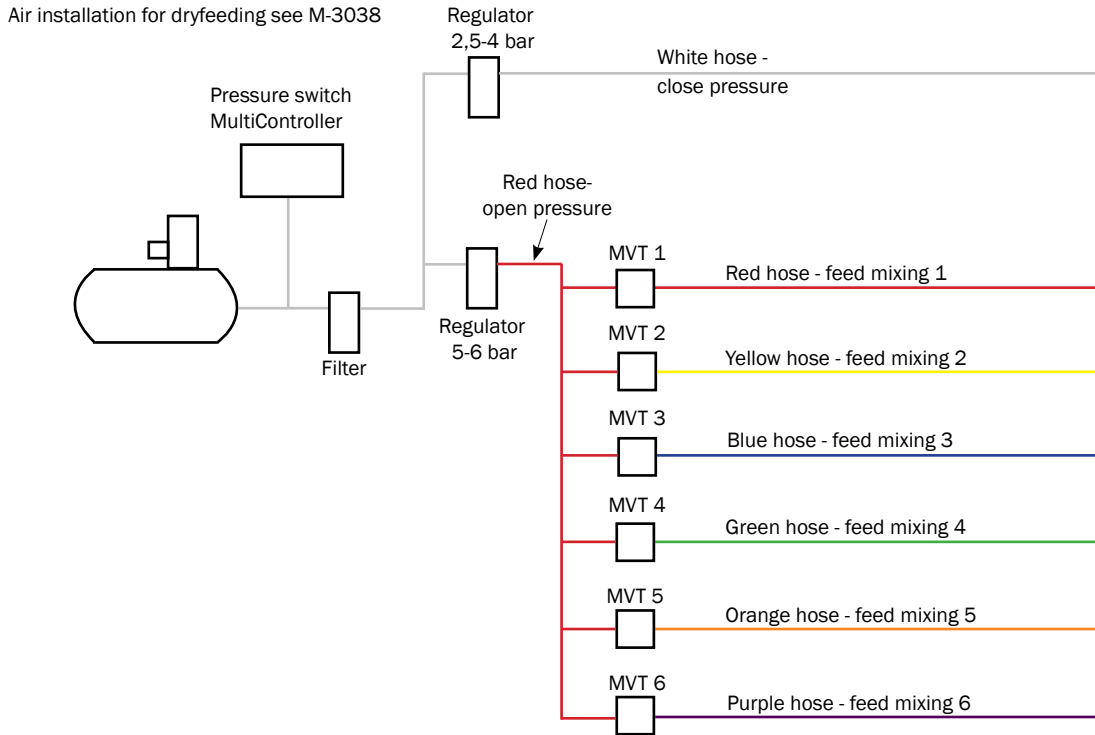
## FUNKI MULTI DRY Individual



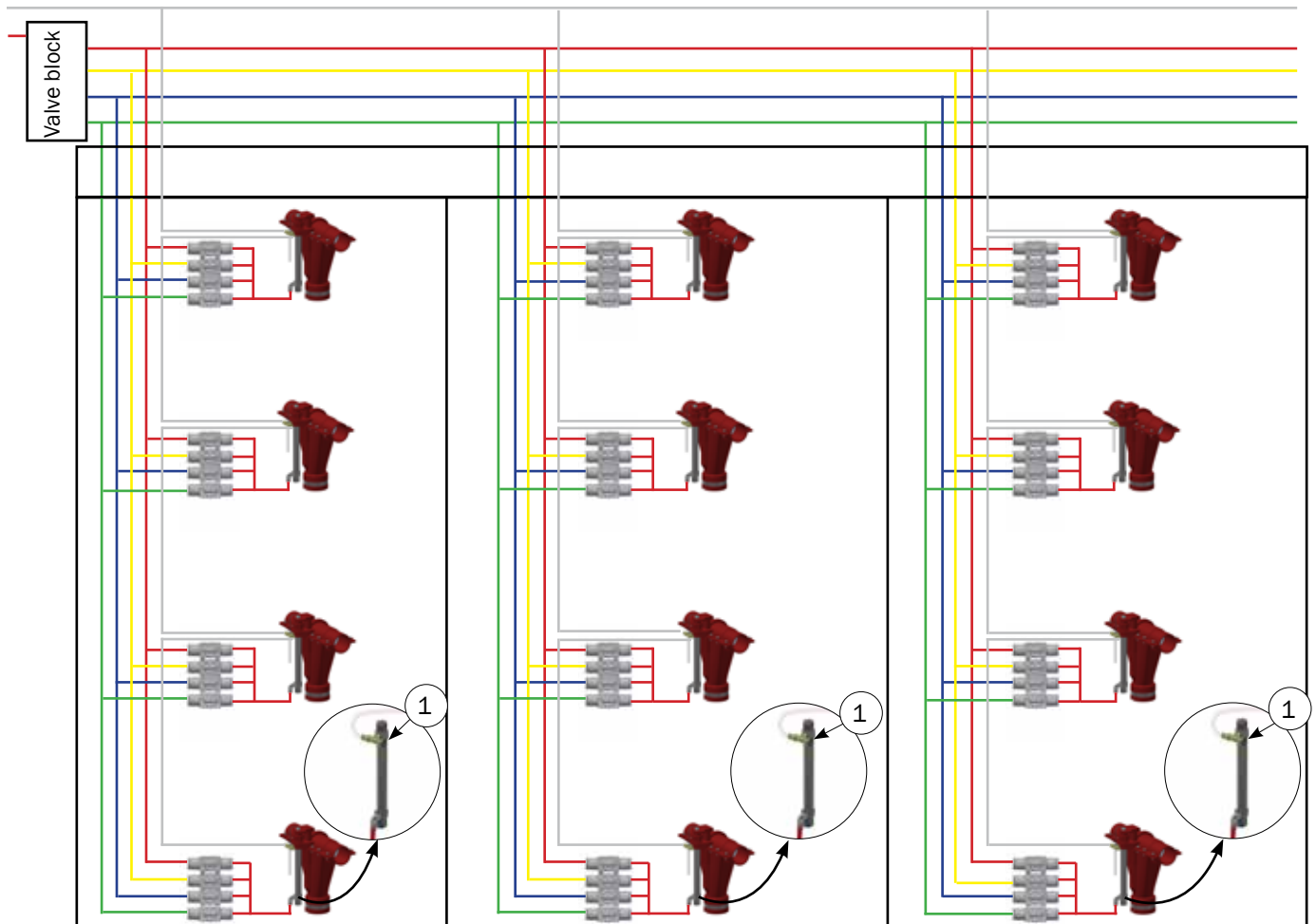
**ACO FUNKI A/S**  
Kirkevænget 5  
DK-7400 Herning

Tel. +45 9711 9600  
[www.acofunki.com](http://www.acofunki.com)  
[www.egebjerg.com](http://www.egebjerg.com)

# Overview



Remember one hose per feed type plus a transparent one for close.



The last mastervalue ends with stopper (12100207) on the upper fast coupling (1).

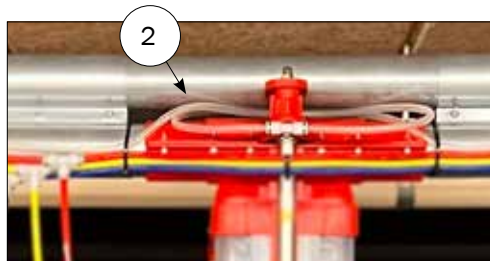
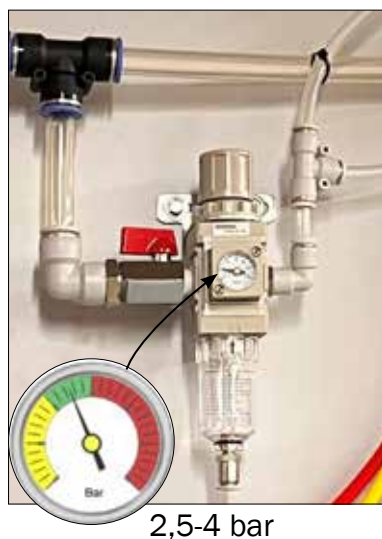
## Overview of system of closed and open pressure



- The red hose to the return valve (1).
- By using the Linak (0170-150, 0170-156), you do not need to use the red hose for the return valve. Assembly of the Color Feed will look like this.

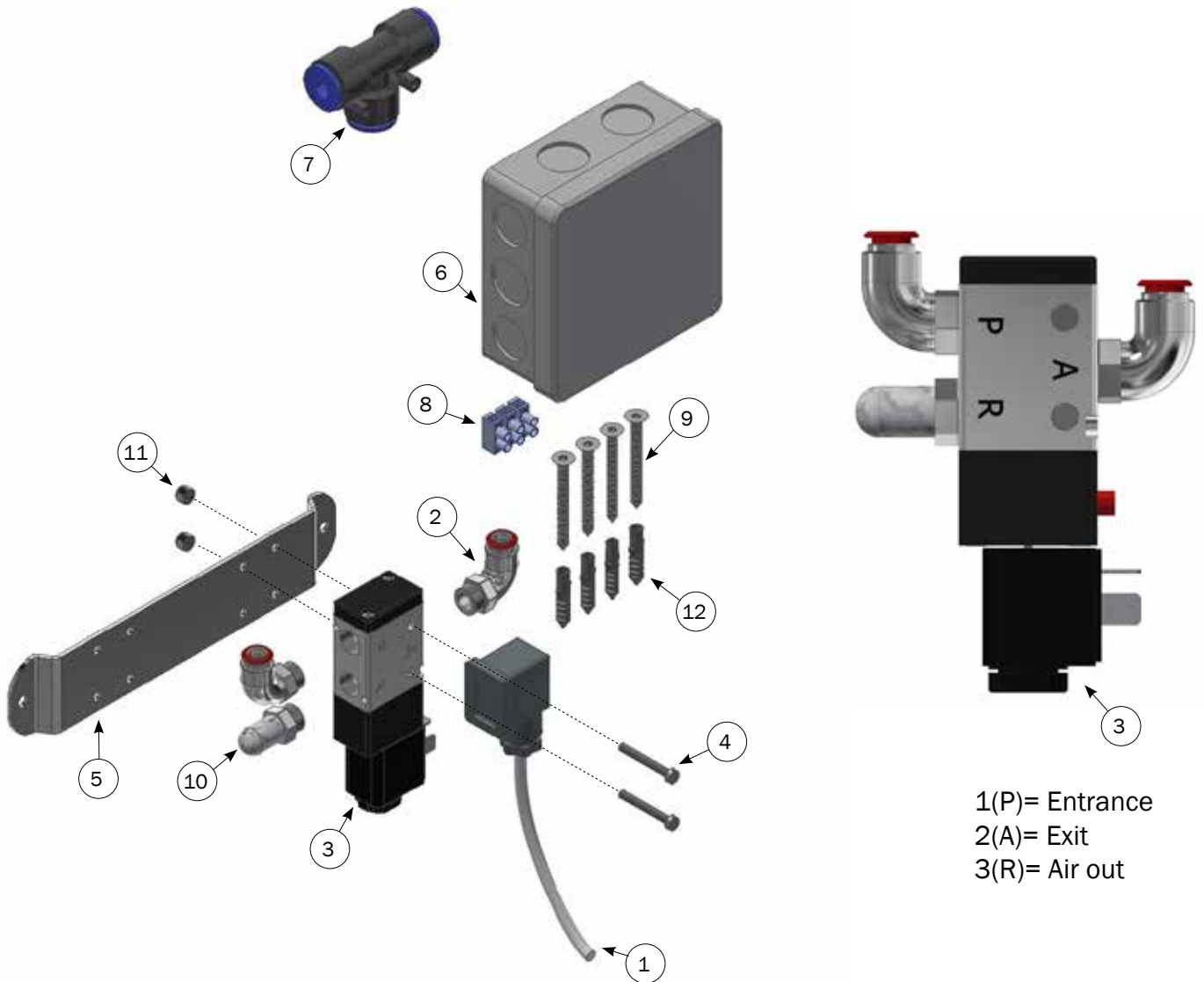
### A: Close pressure

### B: Open pressure



- From compressor that provides approx. 8 bar, a reduction valve must be fitted which is set to 2.5-4 bar. Connect output to transparent Ø8 standard air hose (20201008).
- White hose (2) along pipe around and into T-piece on cylinder around and beyond.
- The open pressure is made centrally next to the Multicontroller. This example of 3 feed types, you can make up to 6 feed types.
- Open pressure 5-6 bar.
- The red hose is used to open pressure and for feed type 1.

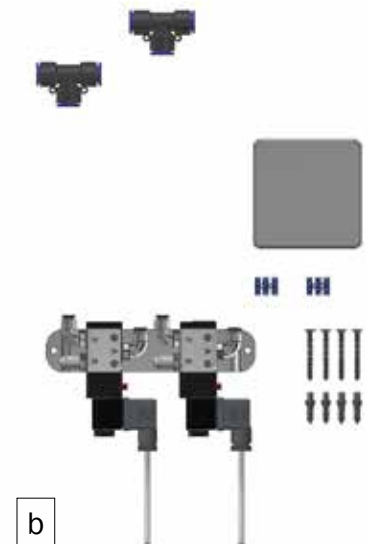
## Funki dry individual and section feed mixing 1-6



1(P)= Entrance  
2(A)= Exit  
3(R)= Air out

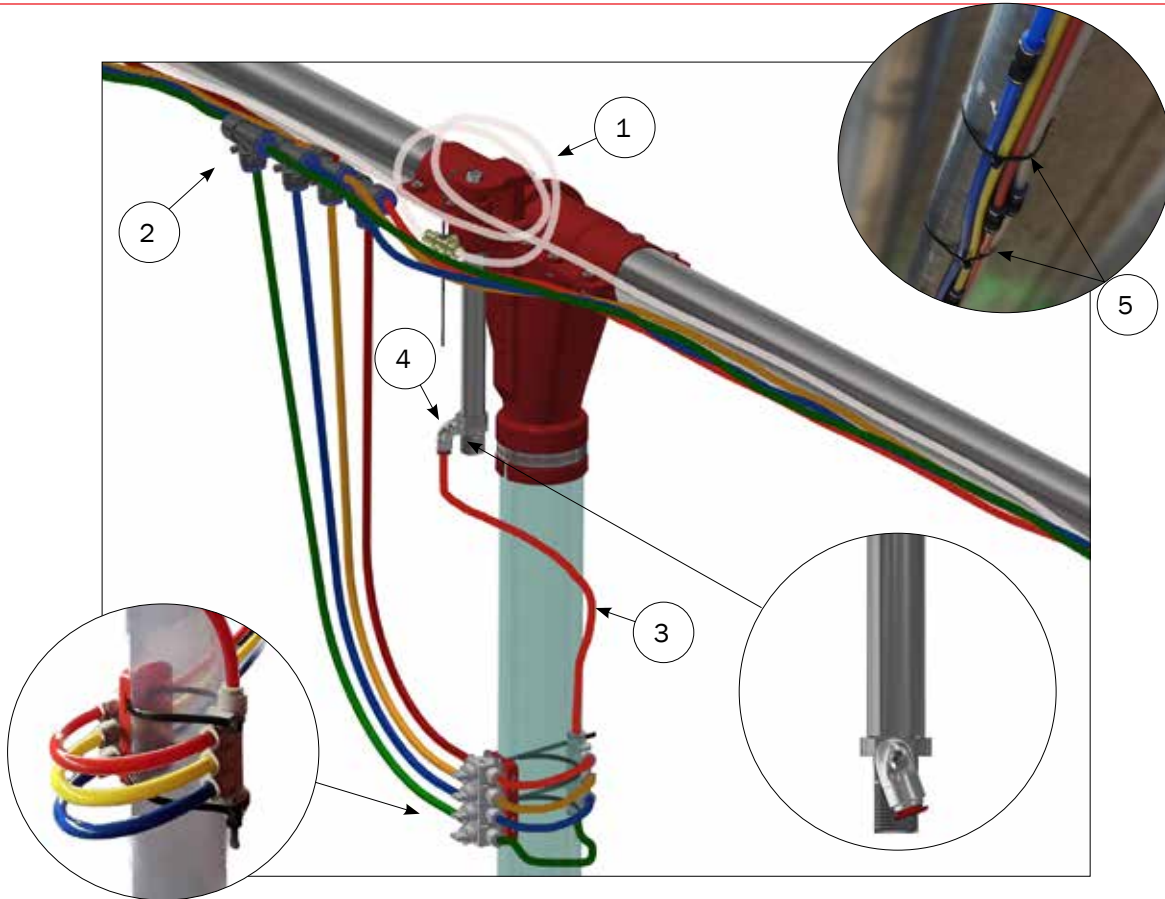
a

| PART LIST |             |   |           |
|-----------|-------------|---|-----------|
|           | Item No.    | Description                                       | Pcs.      |
| a         | 0228-576    | FUNKI DRY CURVE MULTI AND SOW SECTION COLOR 1     |           |
| b         | 0228-575(*) | FUNKI DRY CURVE MULTI AND SOW SECTION COLOR 2     | (*)       |
| 1         | 0138-127    | SOCKET WITH DIODE INCL. SCREW AND PACKING         | 1 (2)     |
| 2         | 12100219    | AIR PUSHING FITTINGS ALBOW Ø8-1/4"                | 2 (4)     |
| 3         | 12400135    | SOLENOID VALVE 24VDC 3/2 N/C G1/4"                | 1 (2)     |
| 4         | 30324030    | SET SCREW M4X30 A2 DIN 84A                        | 2 (4)     |
| 5         | 8450292     | WALL BRACKET STAINLESS STEEL                      | 1 (1)     |
| 6         | 73000113    | DIAPHRAGM BOX AP10, GREY                          | 1 (1)     |
| 7         | 12100117    | AIR T PUSHING FITTINGS Ø8/Ø8/Ø8                   | 1 (2)     |
| 8         | 76000003    | TERMINAL STRIP 12-POL EKL 1BE DSPA LOSE - 12 PCS. | 0,5 (0,5) |
| 9         | 25000039    | CHIPBOARD SCREW 5X50 MM A2 WAXED                  | 4 (4)     |
| 10        | 22201014    | ¼" AIR SILENCER                                   | 1 (2)     |
| 11        | 33904000    | LOCK NUT M4 A2 DIN 985                            | 2 (4)     |
| 12        | 9961004     | DOWEL 6X30MM                                      | 4 (4)     |

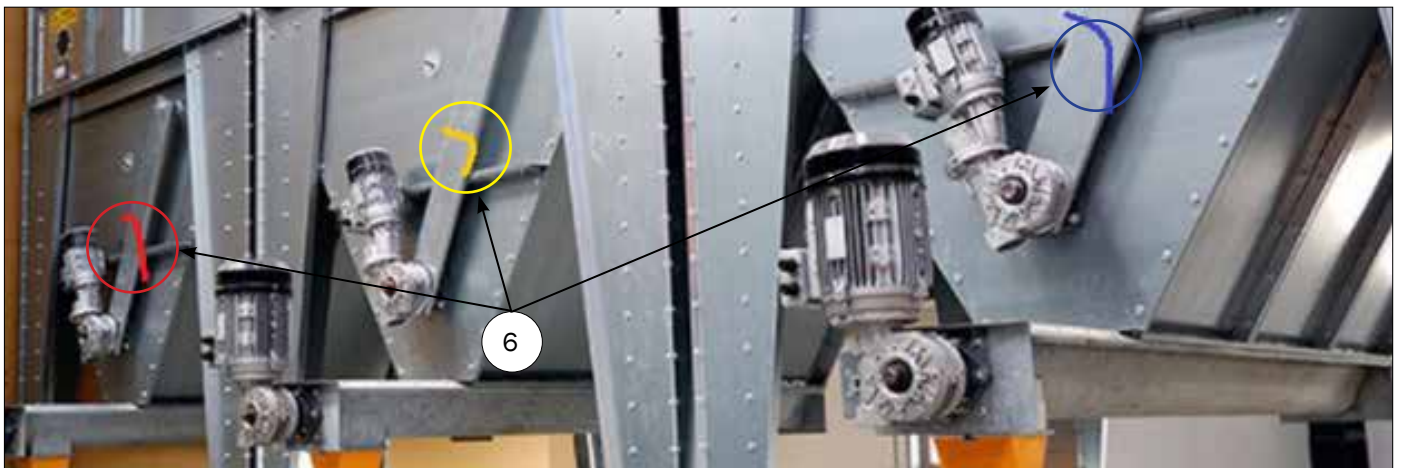


b

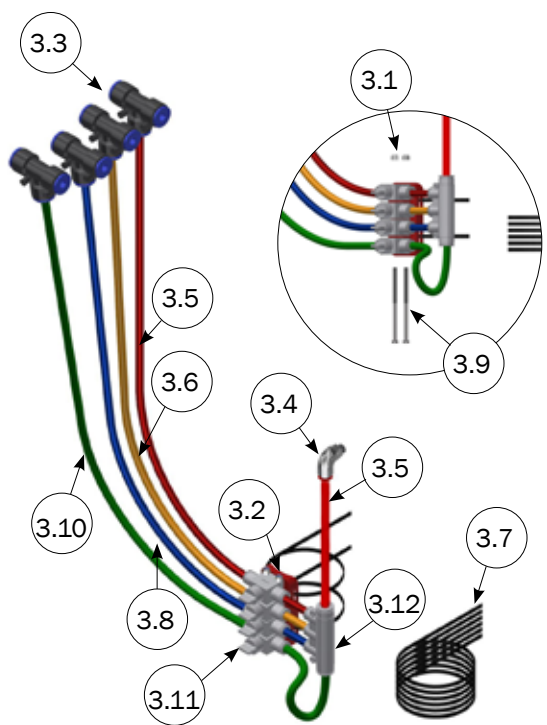
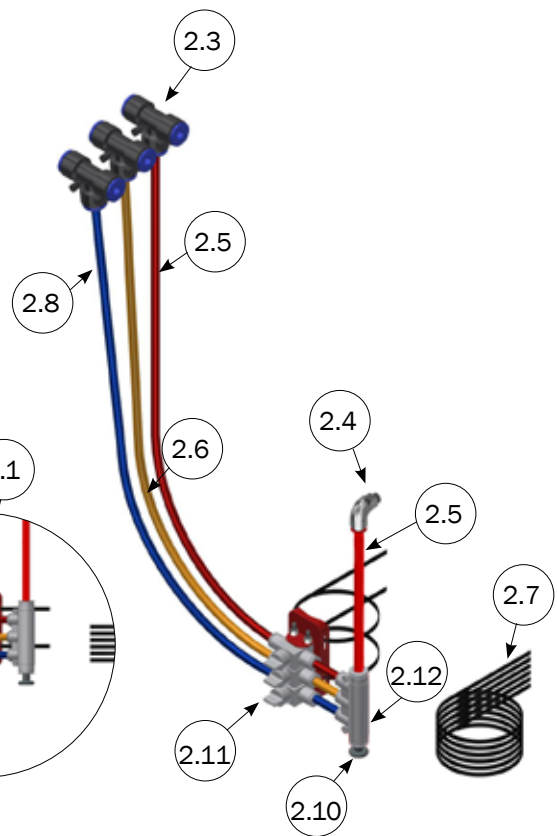
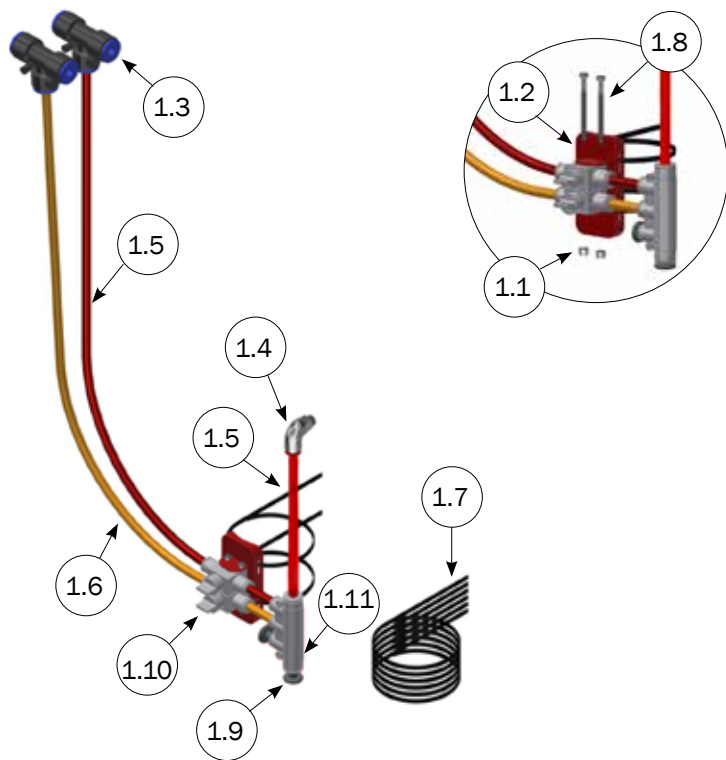
## Installation on the Mastervalue/Mastervalue sow



1. White hose along pipe around and into T-piece on cylinder around and beyond.
2. 4 colors along the pipe T-piece must point upwards so that water drops do not “fall into the cylinder” but remain in the main hose.
3. Colored hose must be led up over feed pipe before down to valve kit.
4. The valve should point down.
5. Air hoses are attached to a feed pipe using cable ties.
6. Always remember to put a pcs. of corresponding color air hose on the silo. To facilitate user understanding.



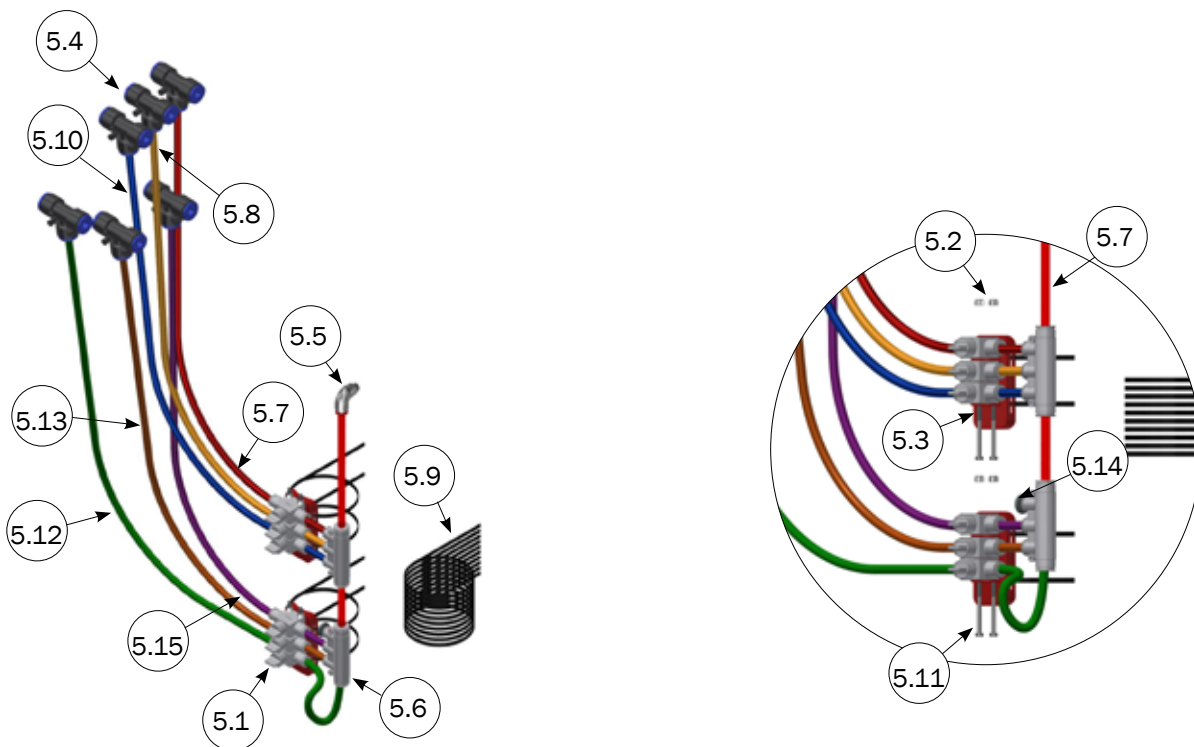
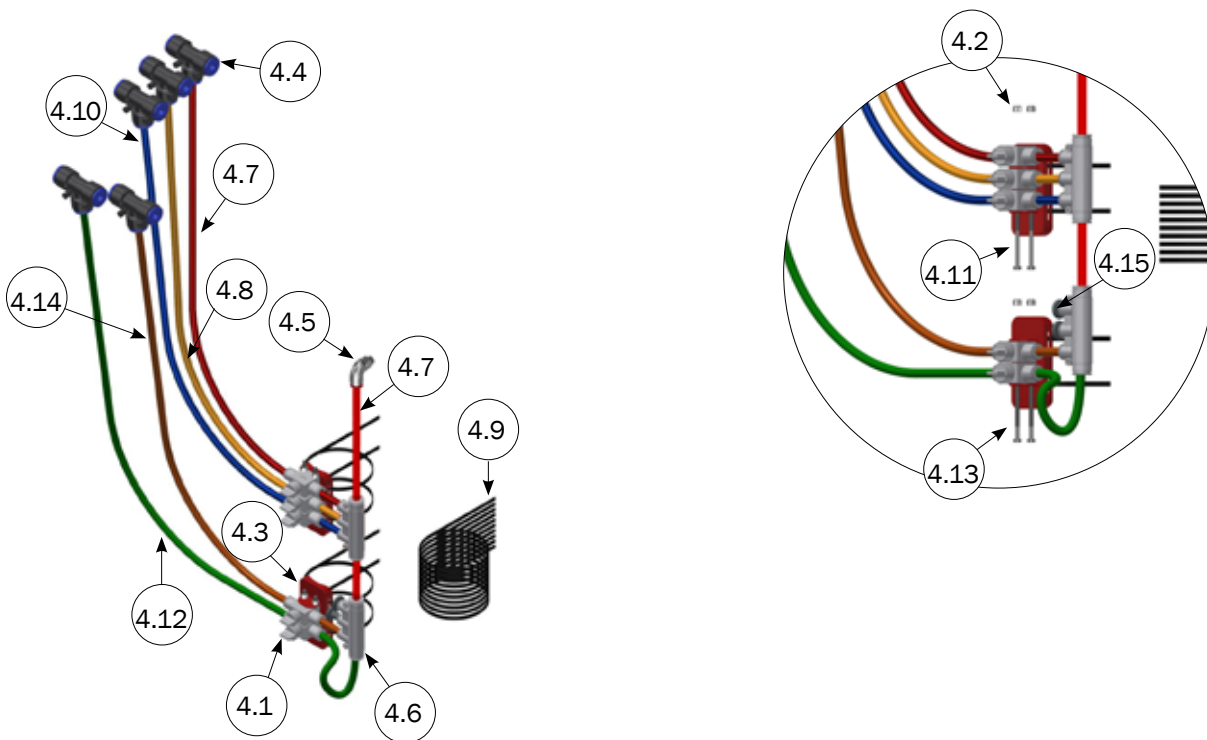
# Overview



## Part list

| FUNKI DRY CURVE MULTI |                 |   |      |
|-----------------------|-----------------|---|------|
|                       | Item No.        | Description                               | Pcs. |
| <b>1</b>              | <b>0223-502</b> | <b>2 FEEDING MIX ONE PR FEEDER</b>        |      |
| 1.1                   | 33904000        | LOCK NUT M4 A2 DIN 985                    | 2    |
| 1.2                   | 8500527         | HOLDER FOR AIRBALL VALVE                  | 1    |
| 1.3                   | 12100117        | AIR T PUSHING FITTINGS Ø8/Ø8/Ø8           | 2    |
| 1.4                   | 12100208        | QUICK COUPLING, ANGEL 8/6-1/8"            | 1    |
| 1.5                   | 20200016        | AIR HOSE Ø8 RED NOT UV RESISTANT          | 1m   |
| 1.6                   | 20200018        | AIR HOSE YELLOW NOT UV RESISTANT          | 1m   |
| 1.7                   | 76200023        | CABLE TIE (STRIPS) 290 X 4,6 MM, BLACK    | 8    |
| 1.8                   | 30324050        | SET SCREW M4X50 A2 DIN 84A                | 2    |
| 1.9                   | 12100207        | STOPPER FOR QUICK COUPLING 8MM            | 2    |
| 1.10                  | 12100127        | MANUAL AIR BALL VALVE 8MM WITHOUT EXHAUST | 2    |
| 1.11                  | 12100126        | AIR DISTRIBUTOR 5X8 MM                    | 1    |
| <b>2</b>              | <b>0223-503</b> | <b>3 FEEDING MIX ONE PR FEEDER</b>        |      |
| 2.1                   | 33904000        | LOCK NUT M4 A2 DIN 985                    | 2    |
| 2.2                   | 8500527         | HOLDER FOR AIRBALL VALVE                  | 1    |
| 2.3                   | 12100117        | AIR T PUSHING FITTINGS Ø8/Ø8/Ø8           | 3    |
| 2.4                   | 12100208        | QUICK COUPLING, ANGEL 8/6-1/8"            | 1    |
| 2.5                   | 20200016        | AIR HOSE Ø8 RED NOT UV RESISTANT          | 1m   |
| 2.6                   | 20200018        | AIR HOSE YELLOW NOT UV RESISTANT          | 1m   |
| 2.7                   | 76200023        | CABLE TIE (STRIPS) 290 X 4,6 MM, BLACK    | 8    |
| 2.8                   | 20200017        | AIR HOSE BLUE NOT UV RESISTANT            | 1m   |
| 2.9                   | 30324070        | SET SCREW M4X70 A2 DIN 84A                | 2    |
| 2.10                  | 12100207        | STOPPER FOR QUICK COUPLING 8MM            | 1    |
| 2.11                  | 12100127        | MANUAL AIR BALL VALVE 8MM WITHOUT EXHAUST | 3    |
| 2.12                  | 12100126        | AIR DISTRIBUTOR 5X8 MM                    | 1    |
| <b>3</b>              | <b>0223-504</b> | <b>4 FEEDING MIX ONE PR FEEDER</b>        |      |
| 3.1                   | 33904000        | LOCK NUT M4 A2 DIN 985                    | 2    |
| 3.2                   | 8500527         | HOLDER FOR AIRBALL VALVE                  | 1    |
| 3.3                   | 12100117        | AIR T PUSHING FITTINGS Ø8/Ø8/Ø8           | 4    |
| 3.4                   | 12100208        | QUICK COUPLING, ANGEL 8/6-1/8"            | 1    |
| 3.5                   | 20200016        | AIR HOSE Ø8 RED NOT UV RESISTANT          | 1m   |
| 3.6                   | 20200018        | AIR HOSE YELLOW NOT UV RESISTANT          | 1m   |
| 3.7                   | 76200023        | CABLE TIE (STRIPS) 290 X 4,6 MM, BLACK    | 8    |
| 3.8                   | 20200017        | AIR HOSE BLUE NOT UV RESISTANT            | 1m   |
| 3.9                   | 30324080        | SET SCREW M4X80 A2 DIN 84A                | 2    |
| 3.10                  | 20200019        | AIR HOSE GREEN NOT UV RESISTANT           | 1m   |
| 3.11                  | 12100127        | MANUAL AIR BALL VALVE 8MM WITHOUT EXHAUST | 4    |
| 3.12                  | 12100126        | AIR DISTRIBUTOR 5X8 MM                    | 1    |

# Overview

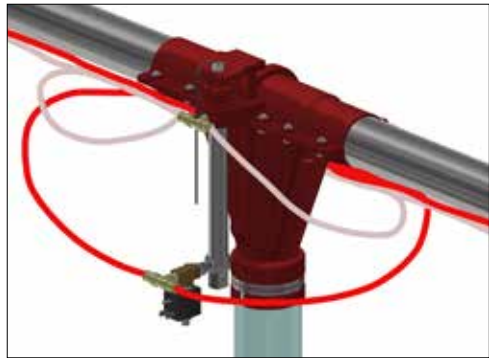
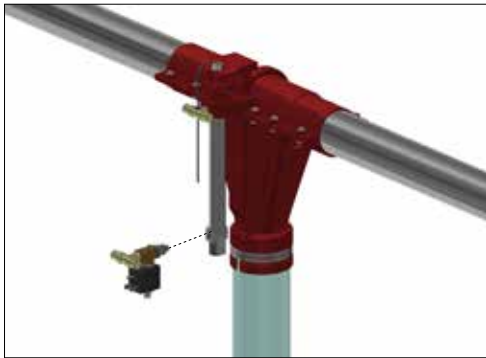




## Part list

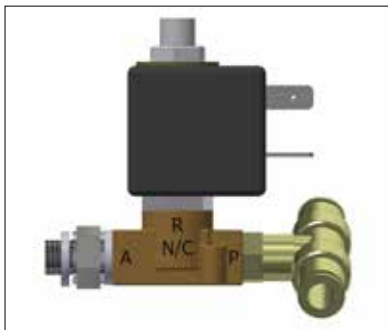
| <b>FUNKI DRY CURVE MULTI</b> |                 |   |             |
|------------------------------|-----------------|---|-------------|
|                              | <b>Item No.</b> | <b>Description</b>                        | <b>Pcs.</b> |
| <b>4</b>                     | <b>0223-505</b> | <b>5 FEEDING MIX ONE PR FEEDER</b>        |             |
| 4.1                          | 12100127        | MANUAL AIR BALL VALVE 8MM WITHOUT EXHAUST | 5           |
| 4.2                          | 33904000        | LOCK NUT M4 A2 DIN 985                    | 4           |
| 4.3                          | 8500527         | HOLDER FOR AIRBALL VALVE                  | 2           |
| 4.4                          | 12100117        | AIR T PUSHING FITTINGS Ø8/Ø8/Ø8           | 5           |
| 4.5                          | 12100208        | QUICK COUPLING, ANGEL 8/6-1/8"            | 1           |
| 4.6                          | 12100126        | AIR DISTRIBUTOR 5X8 MM                    | 2           |
| 4.7                          | 20200016        | AIR HOSE Ø8 RED NOT UV RESISTANT          | 1m          |
| 4.8                          | 20200018        | AIR HOSE YELLOW NOT UV RESISTANT          | 1m          |
| 4.9                          | 76200023        | CABLE TIE (STRIPS) 290 X 4,6 MM, BLACK    | 14          |
| 4.10                         | 20200017        | AIR HOSE BLUE NOT UV RESISTANT            | 1m          |
| 4.11                         | 30324070        | SET SCREW M4X70 A2 DIN 84A                | 2           |
| 4.12                         | 20200019        | AIR HOSE GREEN NOT UV RESISTANT           | 1m          |
| 4.13                         | 30324050        | SET SCREW M4X50 A2 DIN 84A                | 2           |
| 4.14                         | 20200020        | AIR HOSE ORANGE NOT UV RESISTANT          | 1m          |
| 4.15                         | 12100207        | STOPPER FOR QUICK COUPLING 8MM            | 2           |
| <b>5</b>                     | <b>0223-506</b> | <b>6 FEEDING MIX ONE PR FEEDER</b>        |             |
| 5.1                          | 12100127        | MANUAL AIR BALL VALVE 8MM WITHOUT EXHAUST | 6           |
| 5.2                          | 33904000        | LOCK NUT M4 A2 DIN 985                    | 4           |
| 5.3                          | 8500527         | HOLDER FOR AIRBALL VALVE                  | 2           |
| 5.4                          | 12100117        | AIR T PUSHING FITTINGS Ø8/Ø8/Ø8           | 6           |
| 5.5                          | 12100208        | QUICK COUPLING, ANGEL 8/6-1/8"            | 1           |
| 5.6                          | 12100126        | AIR DISTRIBUTOR 5X8 MM                    | 2           |
| 5.7                          | 20200016        | AIR HOSE Ø8 RED NOT UV RESISTANT          | 1m          |
| 5.8                          | 20200018        | AIR HOSE YELLOW NOT UV RESISTANT          | 1m          |
| 5.9                          | 76200023        | CABLE TIE (STRIPS) 290 X 4,6 MM, BLACK    | 14          |
| 5.10                         | 20200017        | AIR HOSE BLUE NOT UV RESISTANT            | 1m          |
| 5.11                         | 30324070        | SET SCREW M4X70 A2 DIN 84A                | 4           |
| 5.12                         | 20200019        | AIR HOSE GREEN NOT UV RESISTANT           | 1m          |
| 5.13                         | 20200020        | AIR HOSE ORANGE NOT UV RESISTANT          | 1m          |
| 5.14                         | 12100207        | STOPPER FOR QUICK COUPLING 8MM            | 1           |
| 5.15                         | 20200021        | AIR HOSE PURPLE NOT UV RESISTANT          | 1m          |

## Return valve for emptying



The return valves for emptying the string's feed to either the silo or residual tank.

1. Solenoid valve must be supplied with Red air pressure.
2. The valve must turn with the exhaust downwards.
3. Must use 2 pcs. Mastervalue per silo/residual tank.



P = T-piece for air supply  
A = fittings for cylinder  
R = empty exhaust



# Notes

---