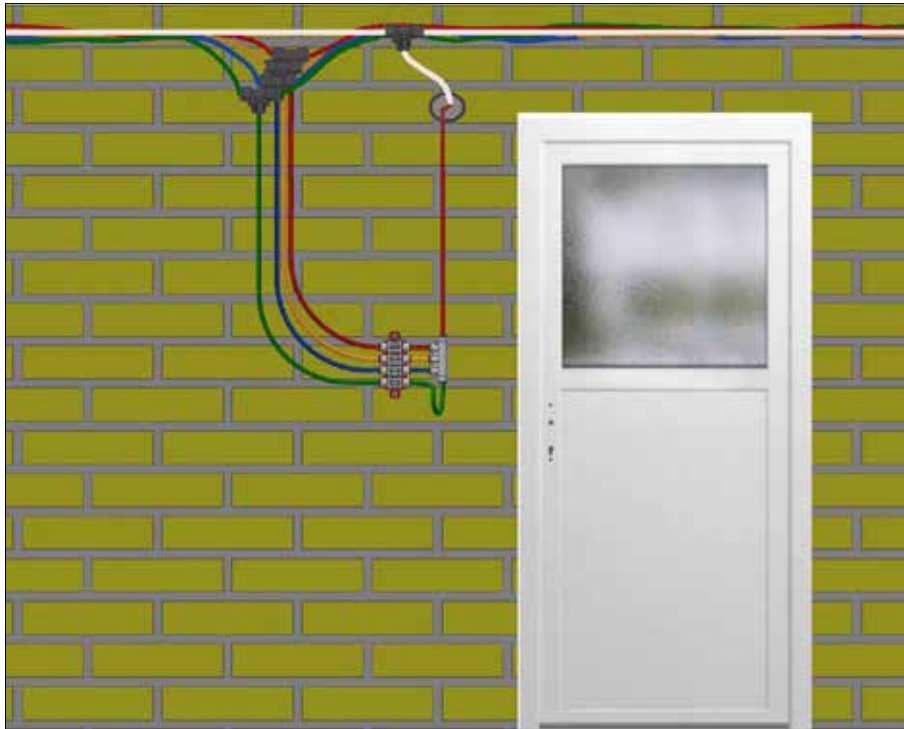


# MOUNTING INSTRUCTIONS



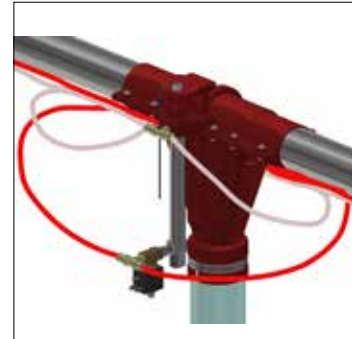
Mastervalue



Mastervalue Sow



Return valve-Mastervalue



## FUNKI MULTI DRY Sektion

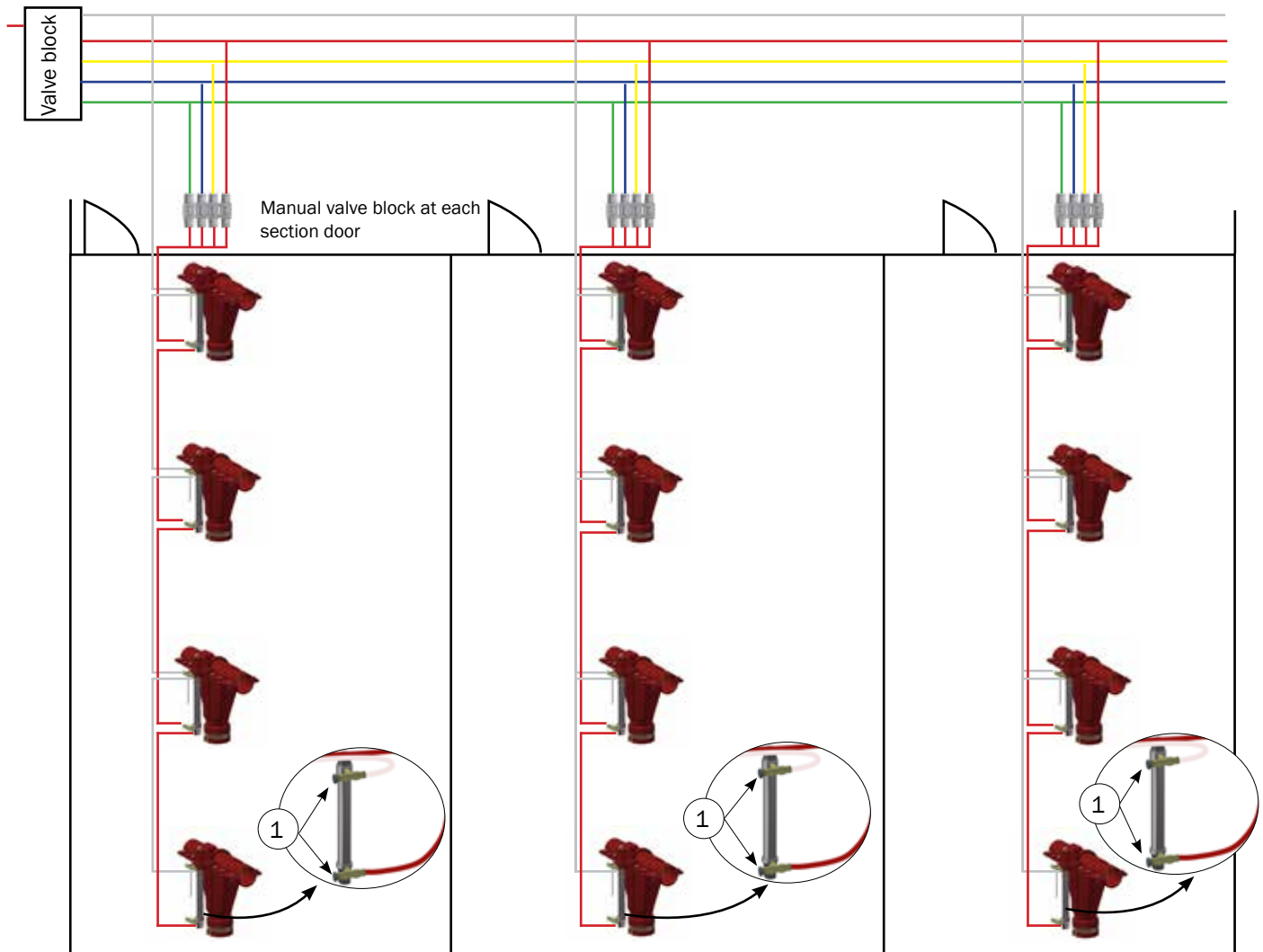
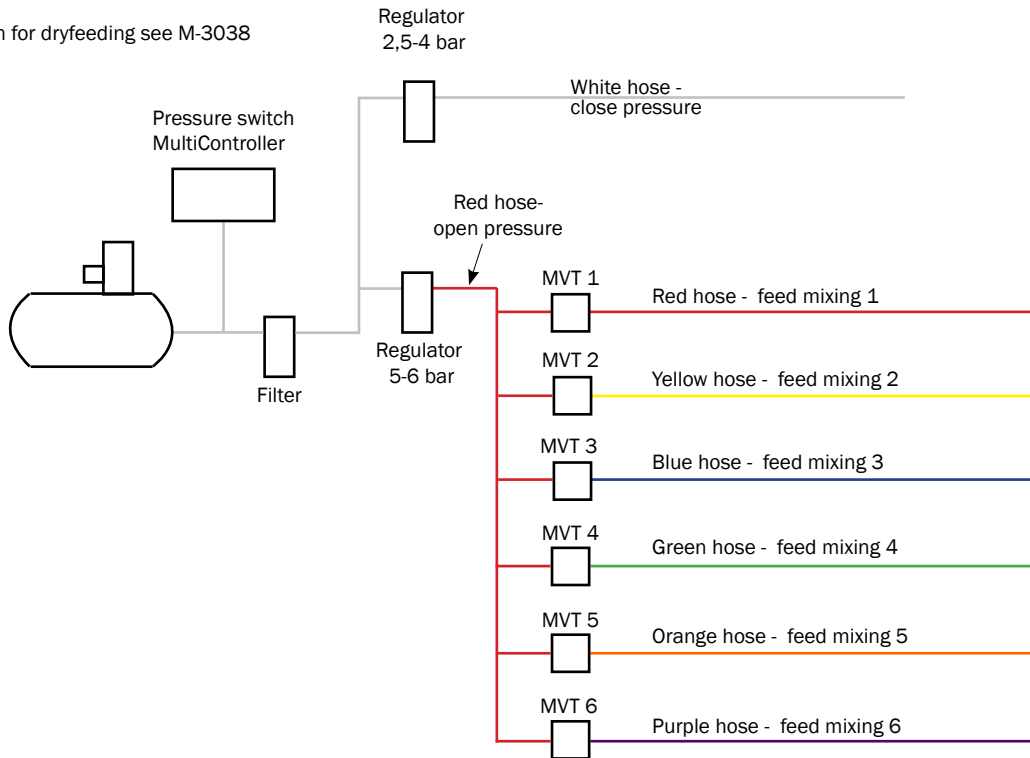


**ACO FUNKI A/S**  
Kirkevænget 5  
DK-7400 Herning

Tel. +45 9711 9600  
[www.acofunki.com](http://www.acofunki.com)  
[www.egebjerg.com](http://www.egebjerg.com)

# Overview

Air installation for dryfeeding see M-3038



The last Mastervalue in the section ends with a stopper (12100207) on the fast couplings and a hose for closing and opening pressure (1).

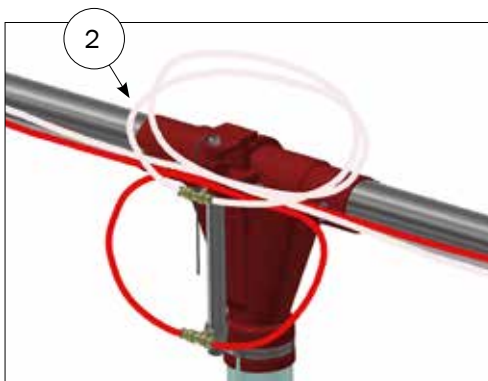
## Overview of system of closed and open pressure



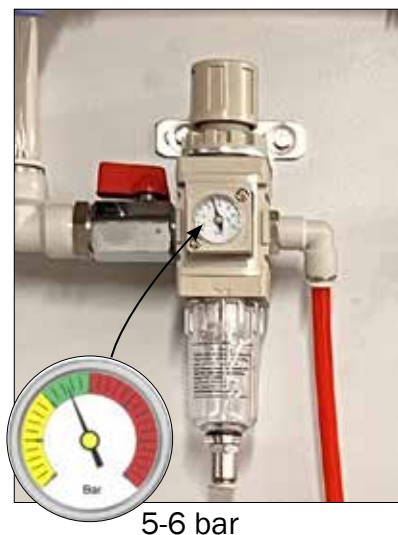
- The red hose to the return valve (1).

- By using the Linak (0170-150, 0170-156), you do not need to use the red hose for the return valve. Assembly of the Color Feed will look like this.

### A: Close pressure



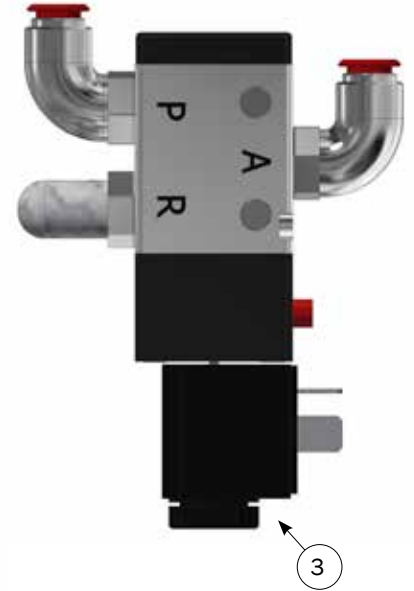
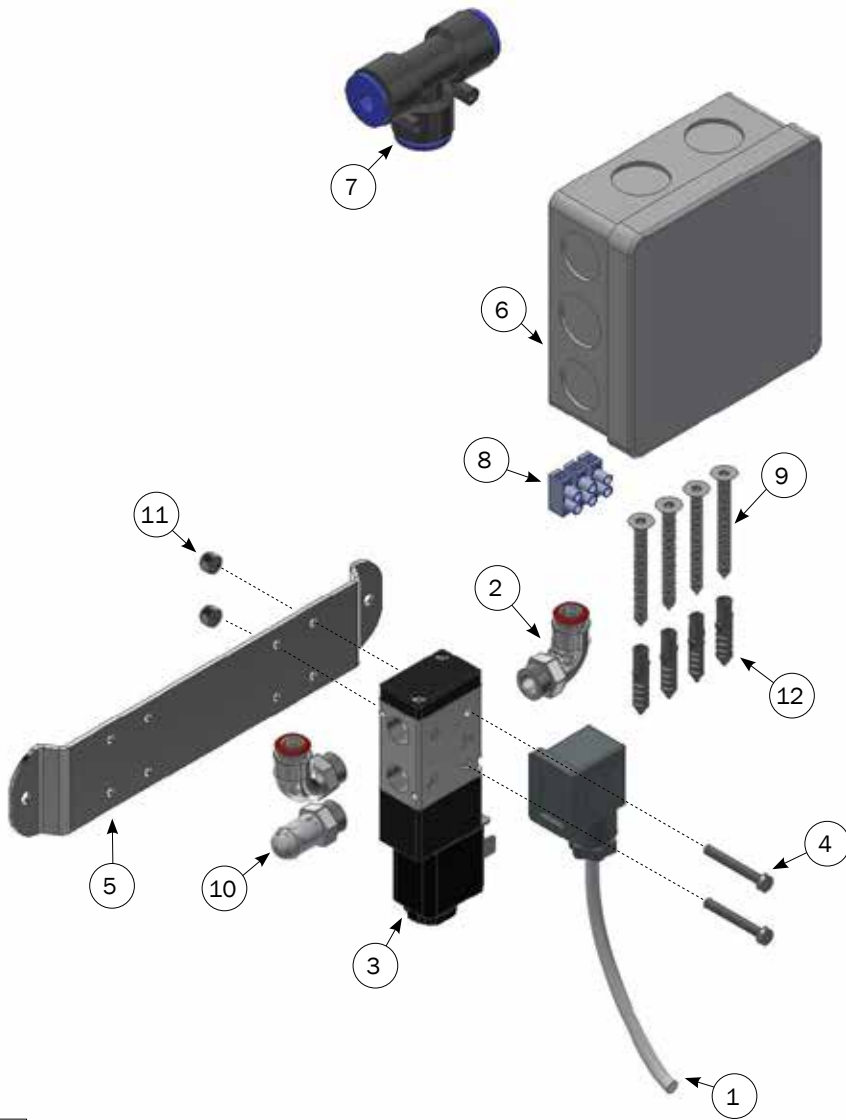
### B: Open pressure



- From compressor that provides approx. 8 bar, a reduction valve must be fitted which is set to 2.5-4 bar. Connect output to transparent Ø8 standard air hose (20201008).
- White hose (2) along pipe around and into T-piece on cylinder around and beyond.

- The open pressure is made centrally next to the Multicontroller.
- Open pressure 5-6 bar.
- The red hose is used to open pressure and for feed type 1.

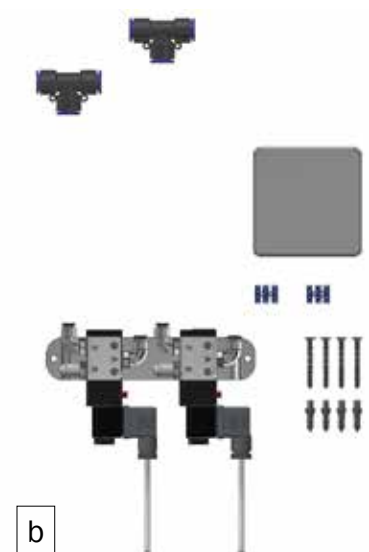
# Funki dry individual and section feed mixing 1-6



1(P)= Entrance  
2(A)= Exit  
3(R)= Air out

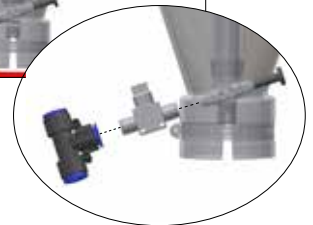
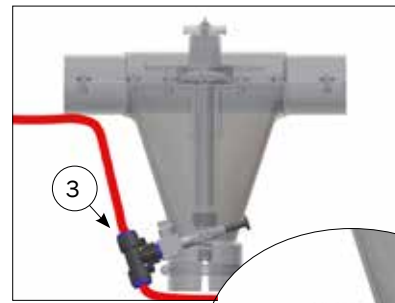
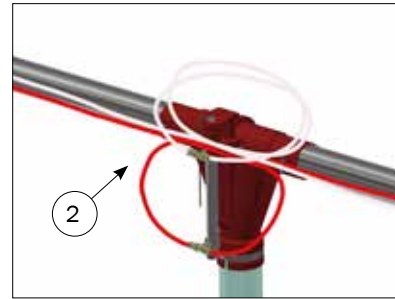
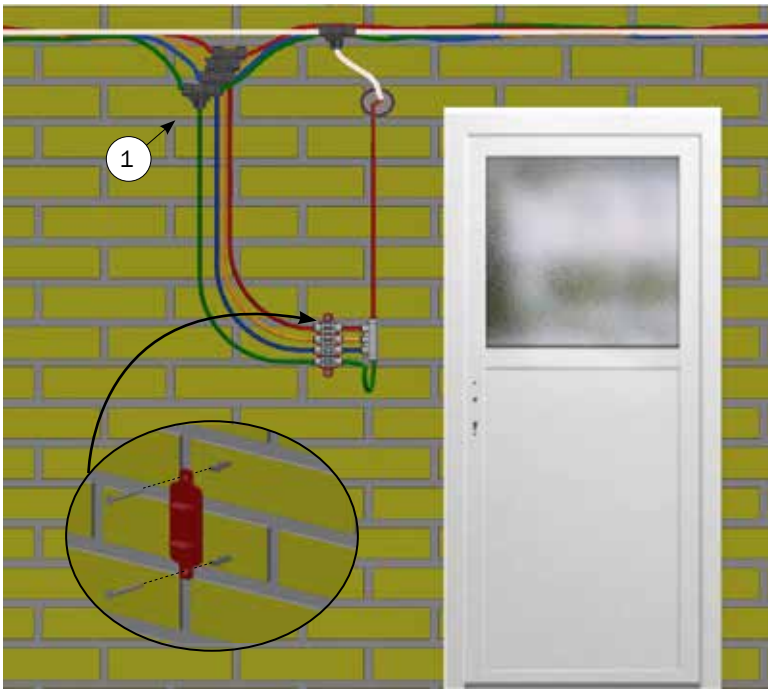
a

PART LIST			
	Item No.	Description	Pcs.
a	0228-576	FUNKI DRY CURVE MULTI AND SOW SECTION COLOR 1	
b	0228-575(*)	FUNKI DRY CURVE MULTI AND SOW SECTION COLOR 2	(*)
1	0138-127	SOCKET WITH DIODE INCL. SCREW AND PACKING	1 (2)
2	12100219	AIR PUSHING FITTINGS ALBOW Ø8-1/4"	2 (4)
3	12400135	SOLENOID VALVE 24VDC 3/2 N/C G1/4"	1 (2)
4	30324030	SET SCREW M4X30 A2 DIN 84A	2 (4)
5	8450292	WALL BRACKET STAINLESS STEEL	1 (1)
6	73000113	DIAPHRAGM BOX AP10, GREY	1 (1)
7	12100117	AIR T PUSHING FITTINGS Ø8/Ø8/Ø8	1 (2)
8	76000003	TERMINAL STRIP 12-POL EKL 1BE DSPA LOSE - 12 PCS.	0,5 (0,5)
9	25000039	CHIPBOARD SCREW 5X50 MM A2 WAXED	4 (4)
10	22201014	¼" AIR SILENCER	1 (2)
11	33904000	LOCK NUT M4 A2 DIN 985	2 (4)
12	9961004	DOWEL 6X30MM	4 (4)

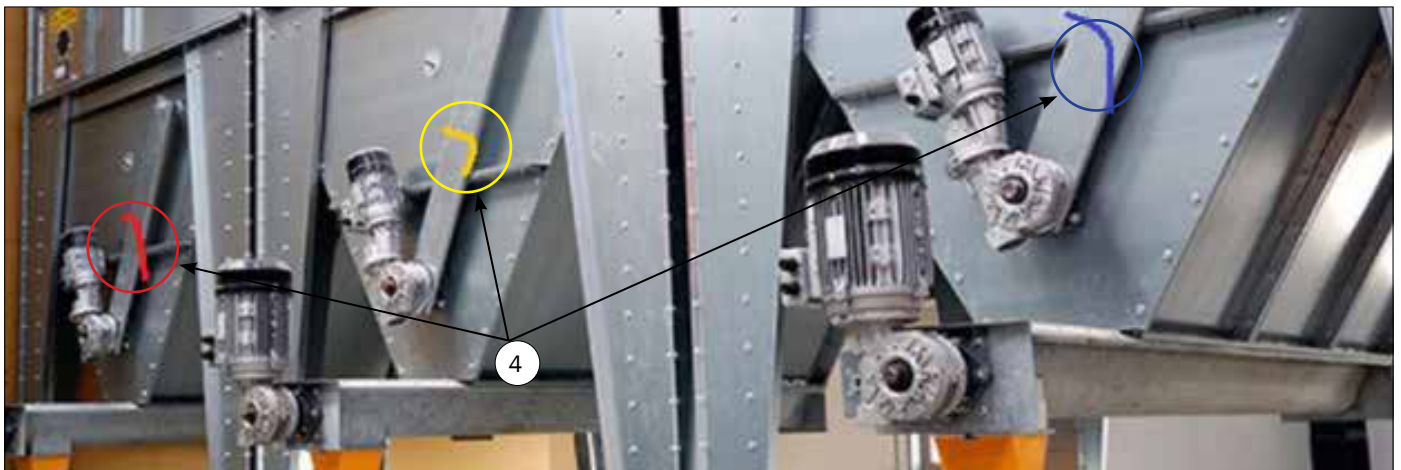


b

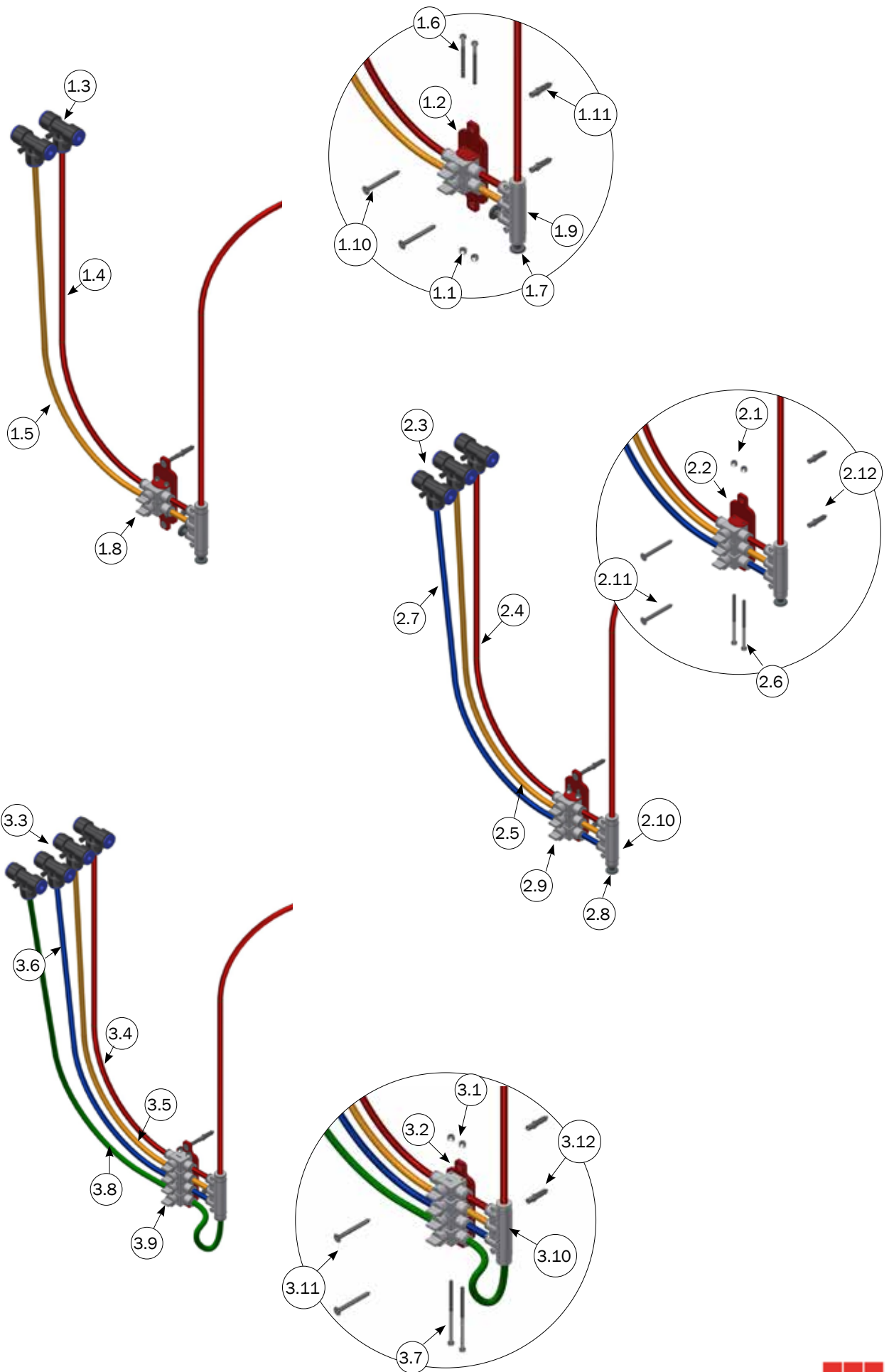
## Mounting on the wall, Mastervalue/ Mastervalue sow



1. In the corridor, as many hoses as there are feed types must be routed, shown here with 4, but can be made up to 6.
2. In each section, a transparent hose for closed pressure, and a red hose for open pressure.
3. If you want a path to be closed, we recommend using a closing set (0228-515) on the master valve.
4. Always remember to put a pcs. of corresponding color air hose on the silo. To ease user understanding.



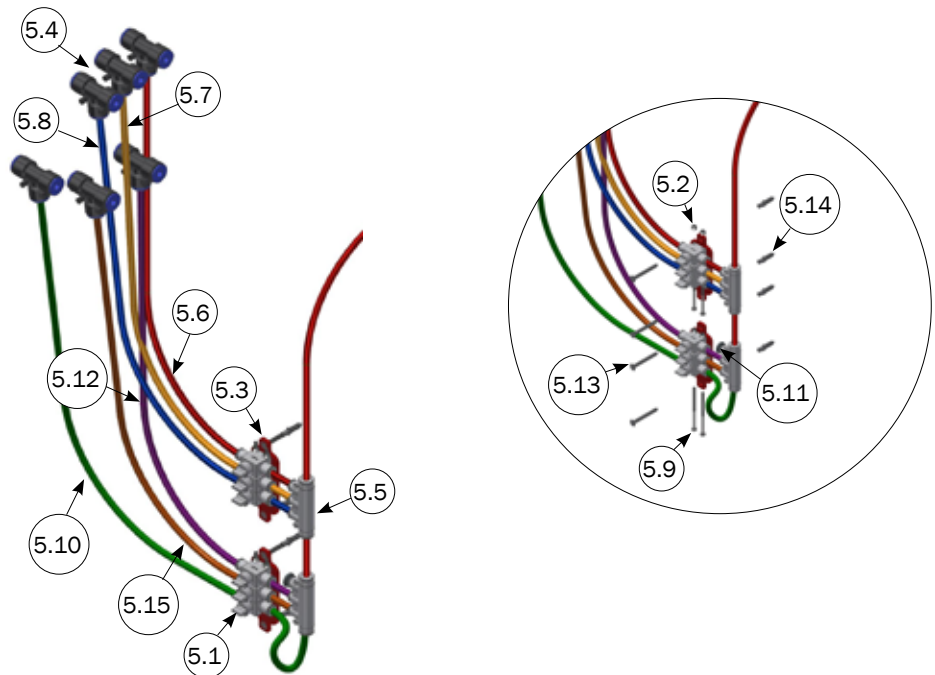
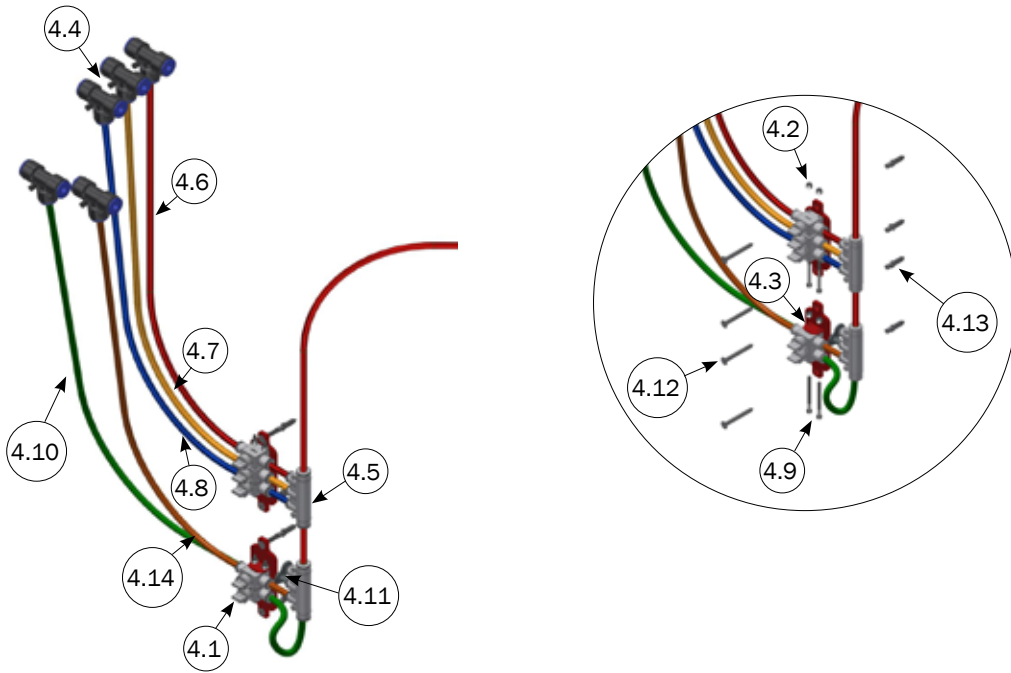
# Overview



## Part list

FUNKI MULTI DRY			
	Item No.	Description	Pcs.
<b>1</b>	<b>0223-512</b>	<b>2 FEEDING MIX ONE SECTION</b>	
1.1	33904000	LOCK NUT M4 A2 DIN 985	2
1.2	8500536	HOLDER FOR AIRBALL VALVE WALL MODEL	1
1.3	12100117	AIR T PUSHING FITTINGS Ø8/Ø8/Ø8	2
1.4	20200016	AIR HOSE Ø8 RED NOT UV RESISTANT	1m
1.5	20200018	AIR HOSE YELLOW NOT UV RESISTANT	1m
1.6	30324050	SET SCREW M4X50 A2 DIN 84A	2
1.7	12100207	STOPPER FOR QUICK COUPLING 8MM	2
1.8	12100127	MANUAL AIR BALL VALVE 8MM WITHOUT EXHAUST	2
1.9	12100126	AIR DISTRIBUTOR 5X8 MM	1
1.10	25000039	CHIPBOARD SCREW 5X50 MM A2 WAXED	2
1.11	9961004	DOWEL 6X30MM	2
<b>2</b>	<b>0223-513</b>	<b>3 FODER MIX EN PER SEKTION</b>	
2.1	33904000	LOCK NUT M4 A2 DIN 985	2
2.2	8500536	HOLDER FOR AIRBALL VALVE WALL MODEL	1
2.3	12100117	AIR T PUSHING FITTINGS Ø8/Ø8/Ø8	3
2.4	20200016	AIR HOSE Ø8 RED NOT UV RESISTANT	1m
2.5	20200018	AIR HOSE YELLOW NOT UV RESISTANT	1m
2.6	30324050	SET SCREW M4X50 A2 DIN 84A	2
2.7	20200017	AIR HOSE BLUE NOT UV RESISTANT	1m
2.8	12100207	STOPPER FOR QUICK COUPLING 8MM	1
2.9	12100127	MANUAL AIR BALL VALVE 8MM WITHOUT EXHAUST	3
2.10	12100126	AIR DISTRIBUTOR 5X8 MM	1
2.11	25000039	CHIPBOARD SCREW 5X50 MM A2 WAXED	2
2.12	9961004	DOWEL 6X30MM	2
<b>3</b>	<b>0223-514</b>	<b>4 FEEDING MIX ONE SECTION</b>	
3.1	33904000	LOCK NUT M4 A2 DIN 985	2
3.2	8500536	HOLDER FOR AIRBALL VALVE WALL MODEL	1
3.3	12100117	AIR T PUSHING FITTINGS Ø8/Ø8/Ø8	4
3.4	20200016	AIR HOSE Ø8 RED NOT UV RESISTANT	1
3.5	20200018	AIR HOSE YELLOW NOT UV RESISTANT	1
3.6	20200017	AIR HOSE BLUE NOT UV RESISTANT	1
3.7	30324050	SET SCREW M4X50 A2 DIN 84A	2
3.8	20200019	AIR HOSE GREEN NOT UV RESISTANT	1
3.9	12100127	MANUAL AIR BALL VALVE 8MM WITHOUT EXHAUST	4
3.10	12100126	AIR DISTRIBUTOR 5X8 MM	1
3.11	25000039	CHIPBOARD SCREW 5X50 MM A2 WAXED	2
3.12	9961004	DOWEL 6X30MM	2

# Overview

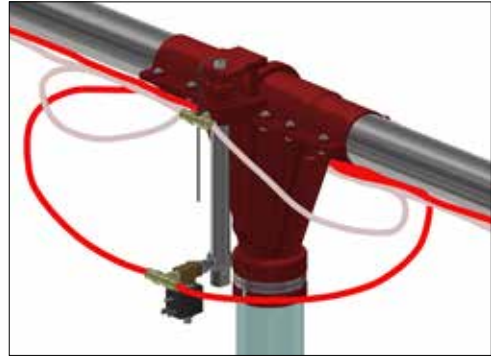
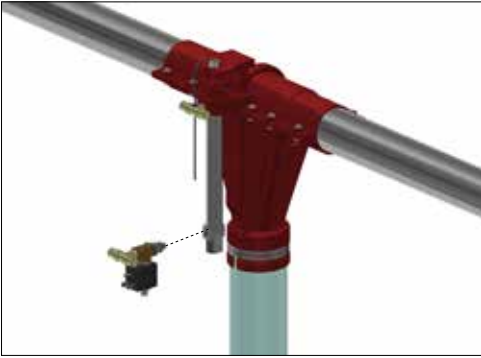




## Part list

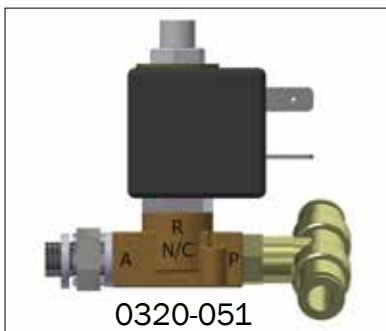
FUNKI MULTI DRY			
	Item No.	Description	Pcs.
4	0223-515	5 FEEDING MIX ONE SECTION	
4.1	12100127	MANUAL AIR BALL VALVE 8MM WITHOUT EXHAUST	5
4.2	33904000	LOCK NUT M4 A2 DIN 985	4
4.3	8500536	HOLDER FOR AIRBALL VALVE WALL MODEL	2
4.4	12100117	AIR T PUSHING FITTINGS Ø8/Ø8/Ø8	5
4.5	12100126	AIR DISTRIBUTOR 5X8 MM	2
4.6	20200016	AIR HOSE Ø8 RED NOT UV RESISTANT	1m
4.7	20200018	AIR HOSE YELLOW NOT UV RESISTANT	1m
4.8	20200017	AIR HOSE BLUE NOT UV RESISTANT	1m
4.9	30324070	SET SCREW M4X70 A2 DIN 84A	2
4.10	20200019	AIR HOSE GREEN NOT UV RESISTANT	1m
4.11	12100207	STOPPER FOR QUICK COUPLING 8MM	2
4.12	25000039	CHIPBOARD SCREW 5X50 MM A2 WAXED	4
4.13	9961004	DOWEL 6X30MM	4
4.14	20200020	AIR HOSE ORANGE NOT UV RESISTANT	1m
5	0223-516	6 FEEDING MIX ONE SECTION	
5.1	12100127	MANUAL AIR BALL VALVE 8MM WITHOUT EXHAUST	6
5.2	33904000	LOCK NUT M4 A2 DIN 985	4
5.3	8500536	HOLDER FOR AIRBALL VALVE WALL MODEL	5
5.4	12100117	AIR T PUSHING FITTINGS Ø8/Ø8/Ø8	6
5.5	12100126	AIR DISTRIBUTOR 5X8 MM	2
5.6	20200016	AIR HOSE Ø8 RED NOT UV RESISTANT	1m
5.7	20200018	AIR HOSE YELLOW NOT UV RESISTANT	1m
5.8	20200017	AIR HOSE BLUE NOT UV RESISTANT	1m
5.9	30324070	SET SCREW M4X70 A2 DIN 84A	4
5.10	20200019	AIR HOSE GREEN NOT UV RESISTANT	1m
5.11	12100207	STOPPER FOR QUICK COUPLING 8MM	1
5.12	20200021	AIR HOSE PURPLE NOT UV RESISTANT	1m
5.13	25000039	CHIPBOARD SCREW 5X50 MM A2 WAXED	4
5.14	9961004	DOWEL 6X30MM	4
5.15	20200020	AIR HOSE ORANGE NOT UV RESISTANT	1m

## Return valve for emptying



The return valves for emptying the string's feed to either the silo or residual tank.

1. Solenoid valve must be supplied with Red air pressure.
2. The valve must turn with the exhaust downwards.
3. Must use 2 pcs. Mastervalue per silo/residual tank.



P = T-piece for air supply  
A = fittings for cylinder  
R = empty exhaust



