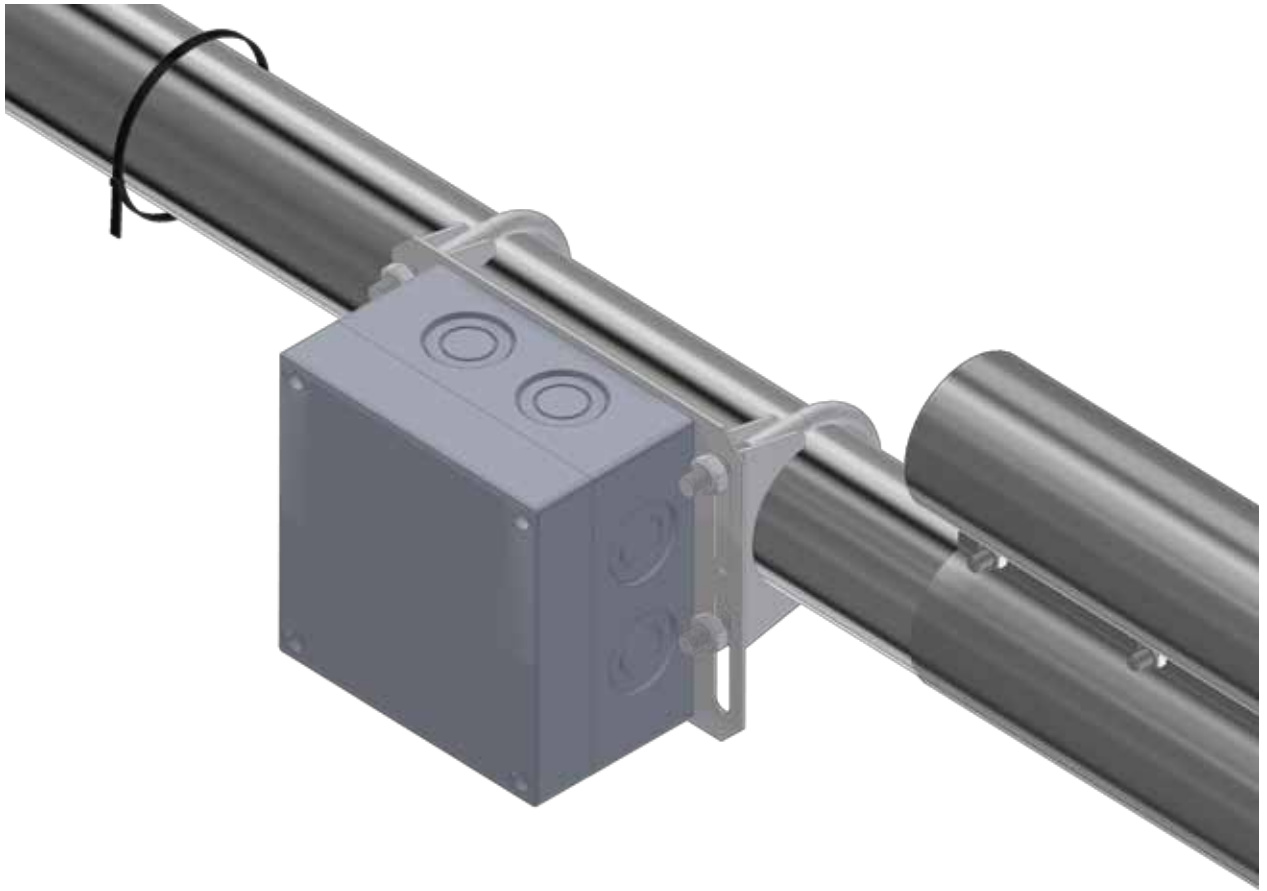


# MOUNTING INSTRUCTION



## S3 STOP SENSOR PRINT



**ACO FUNKI A/S**

Kirkevænget 5  
DK-7400 Herning

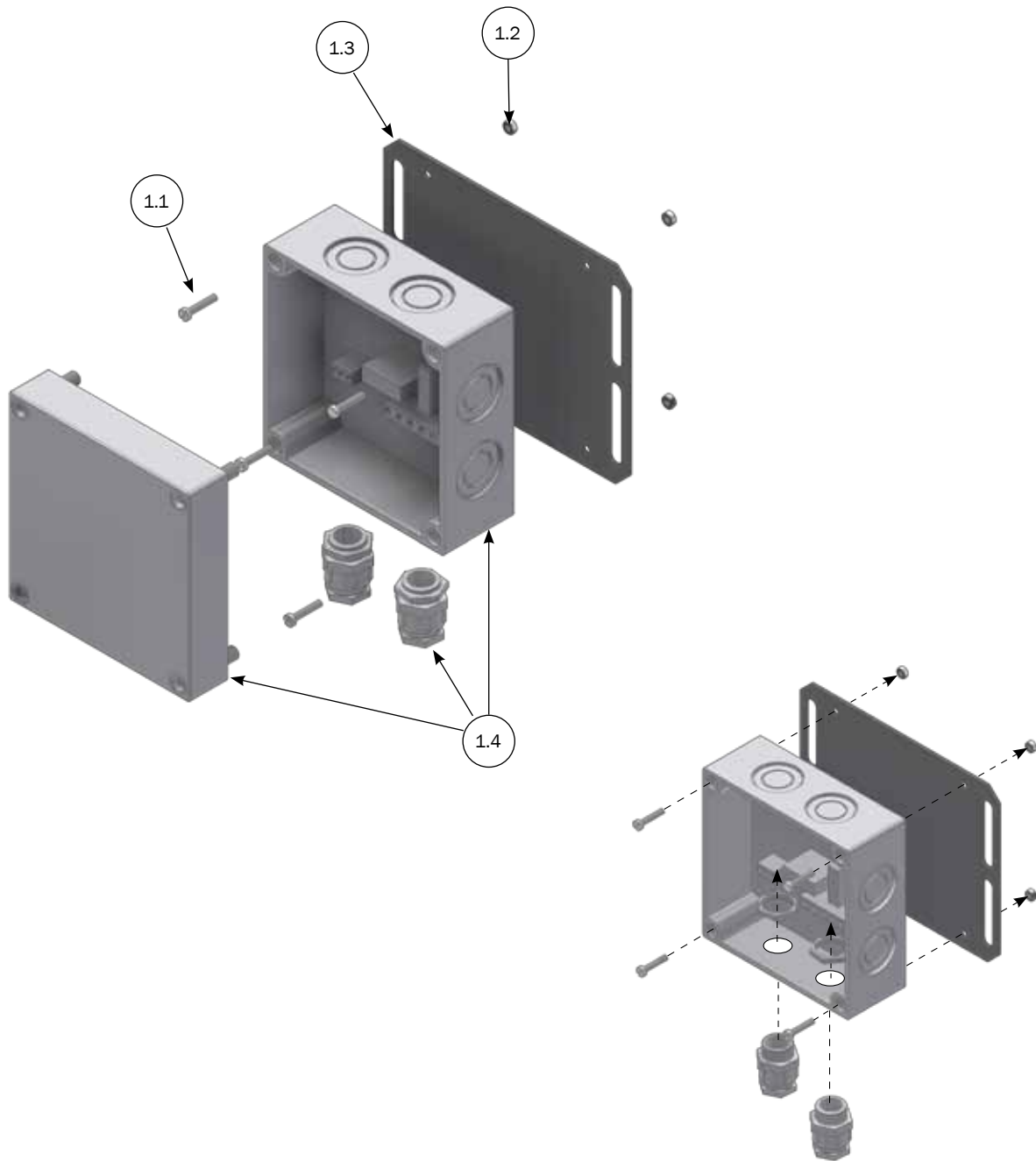
Tel. +45 9711 9600

Fax +45 9711 9677

[www.acofunki.com](http://www.acofunki.com)

**DANISH DESIGN | GERMAN QUALITY | GLOBAL EXPERIENCE**

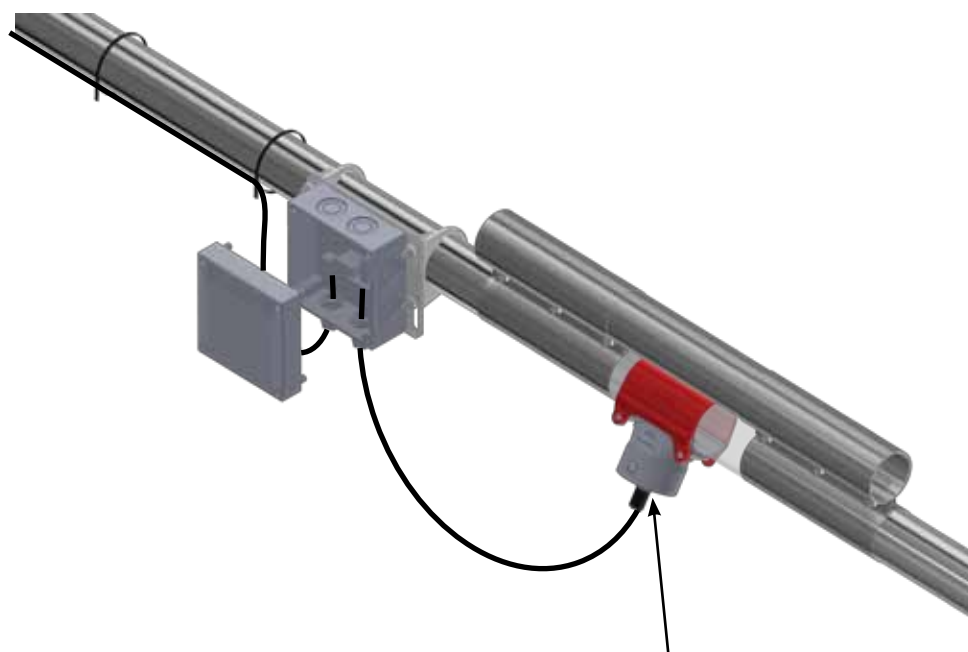
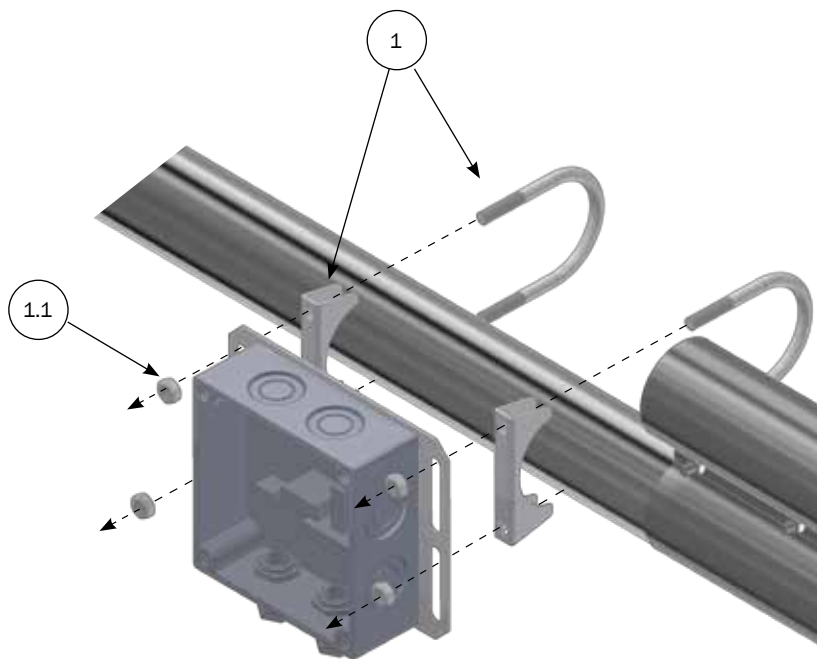
## S3 Stop sensor Print



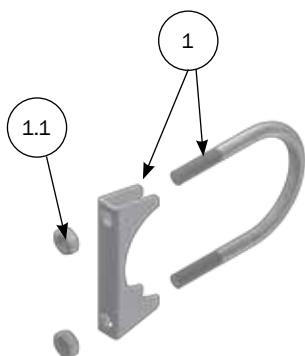
Timer settings, look at page 8

PARTS LIST			
No	Pcs.	Item no	Description
<b>1</b>		<b>0153-420</b>	<b>S3 STOP SENSOR PRINT</b>
1.1	4	31204020	MACHINE SCREW M4X20 CH FZB DIN 84 A
1.2	4	33204008	NUT M4 FZB DIN 934
1.3	1	0153-444	CLAMP PLATE FOR S3 CONTROL UNIT
1.4	1	0153-409	STOP SENSOR S3 - SENSOR PRINT

## S3 Stop Sensor Print mounted on pipe

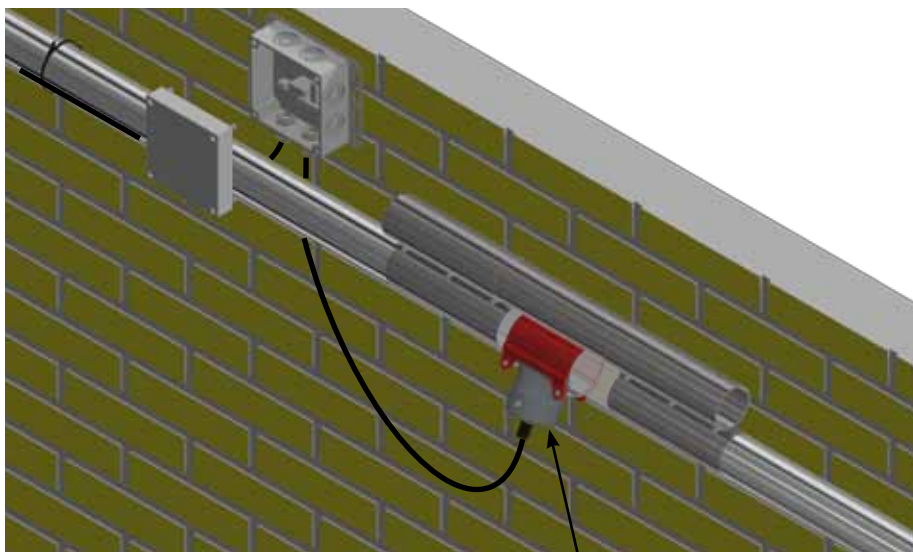
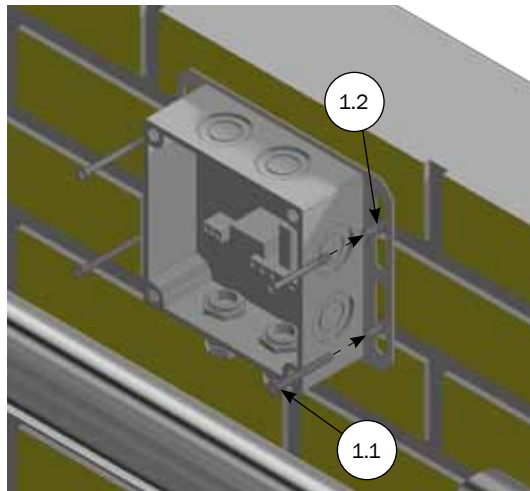


For mounting of stop sensor look at mounting instruction:  
M-1038 Multi controller Stop Sensor

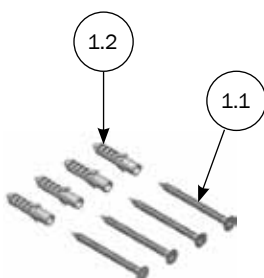


PARTS LIST		
No	Item no	Description
	39900102	CLAMP SET Ø38
	39900103	CLAMP SET Ø60
	39900104	CLAMP SET Ø50
<b>1</b>	<b>39900105</b>	<b>CLAMP SET Ø76</b>
1.1	33208014	NUT M8 FZV DIN 934

## S3 Stop Sensor Print mounted on wall

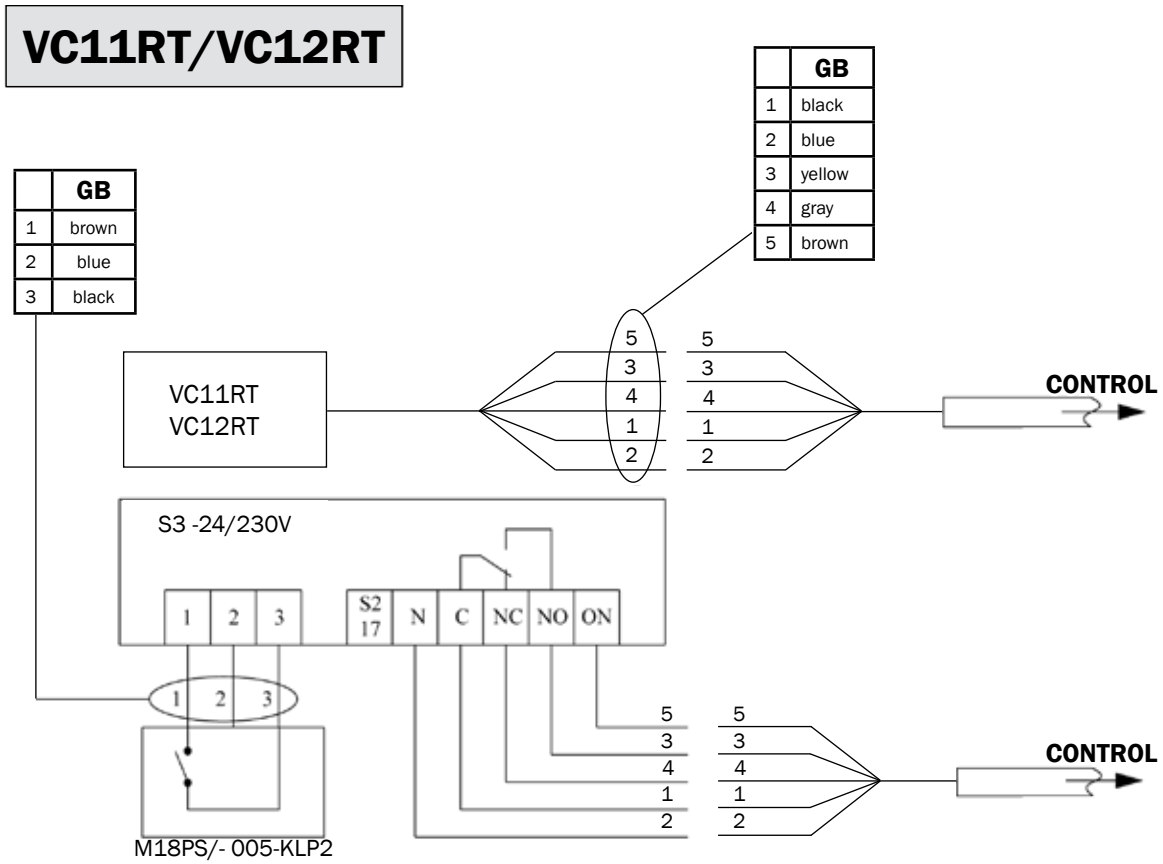


For mounting of stop sensor look at mounting instruction:  
M-1038 Multi controller Stop Sensor

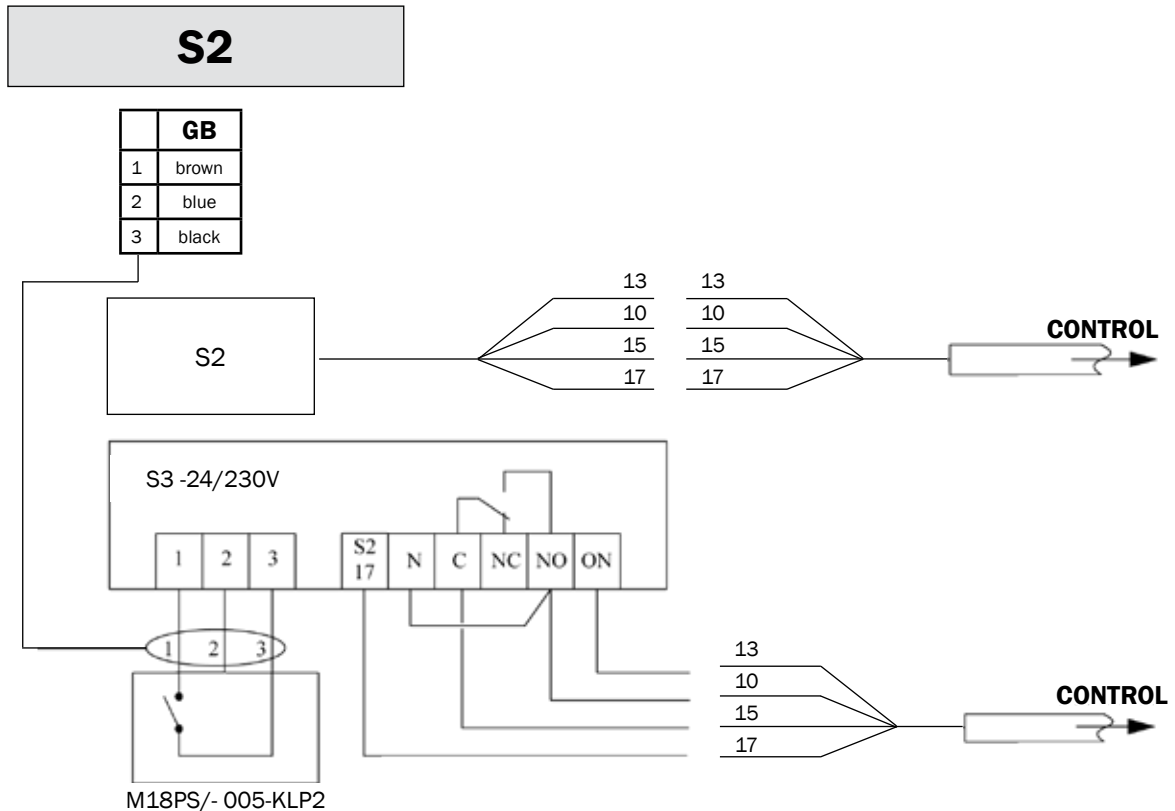


PARTS LIST			
No	Pcs	Item no	Description
1	1	0153-463	MOUNTING KIT ON WALL WITH 4 CHIPBOARD SCREW
1.1	4	25000039	CHIPBOARD SCREW 5X50 US-SLOTORX A2
1.2	4	9961004	DOWEL 6X30MM

## Replacement of VC11RT/VC12RT to S3 Stop Sensor Print



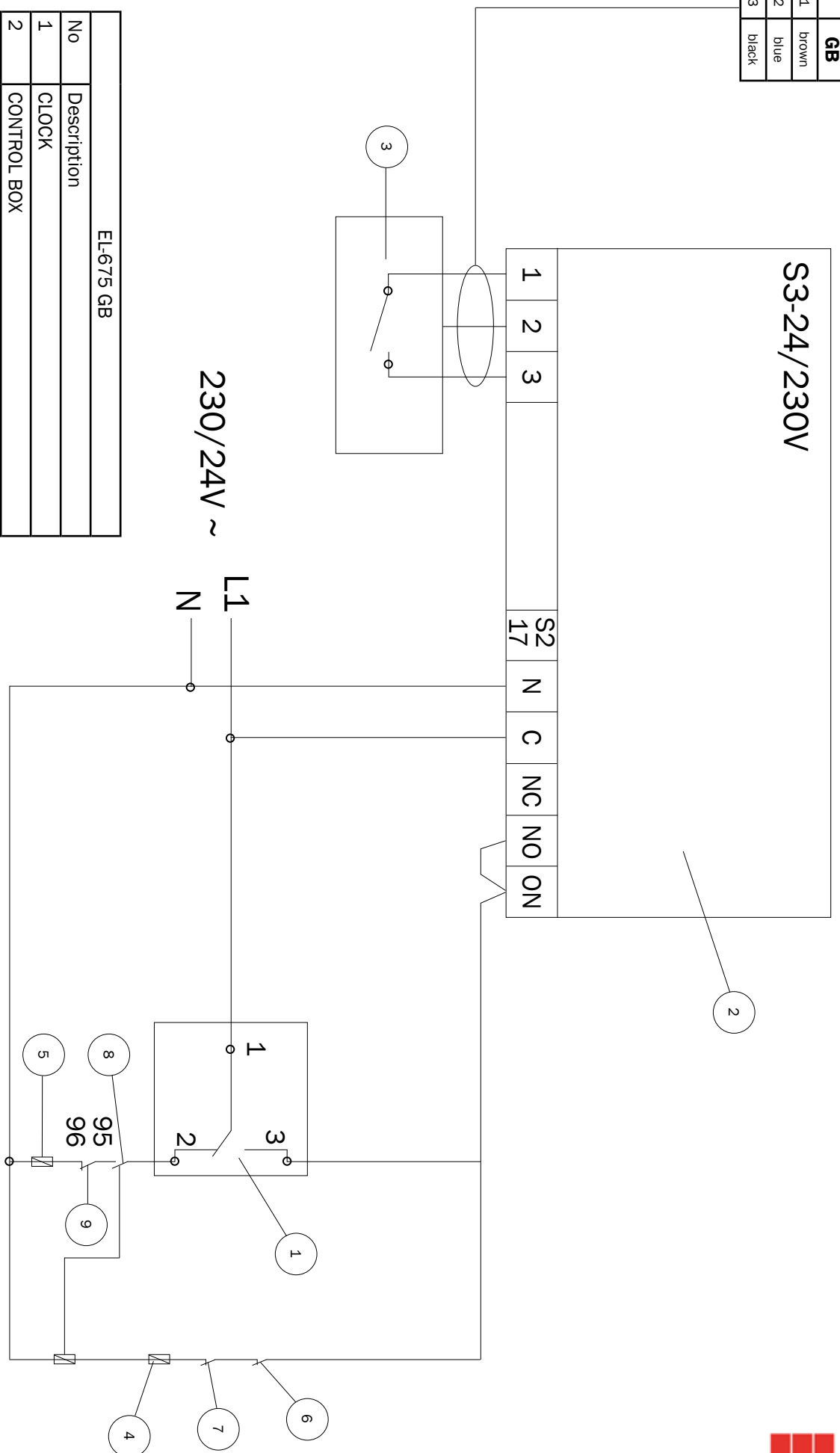
## Replacement of S2 to S3 Stop Sensor Print



# Wiring for S3 Stop Sensor Print, with motor-driven reception unit

	<b>GB</b>
1	brown
2	blue
3	black

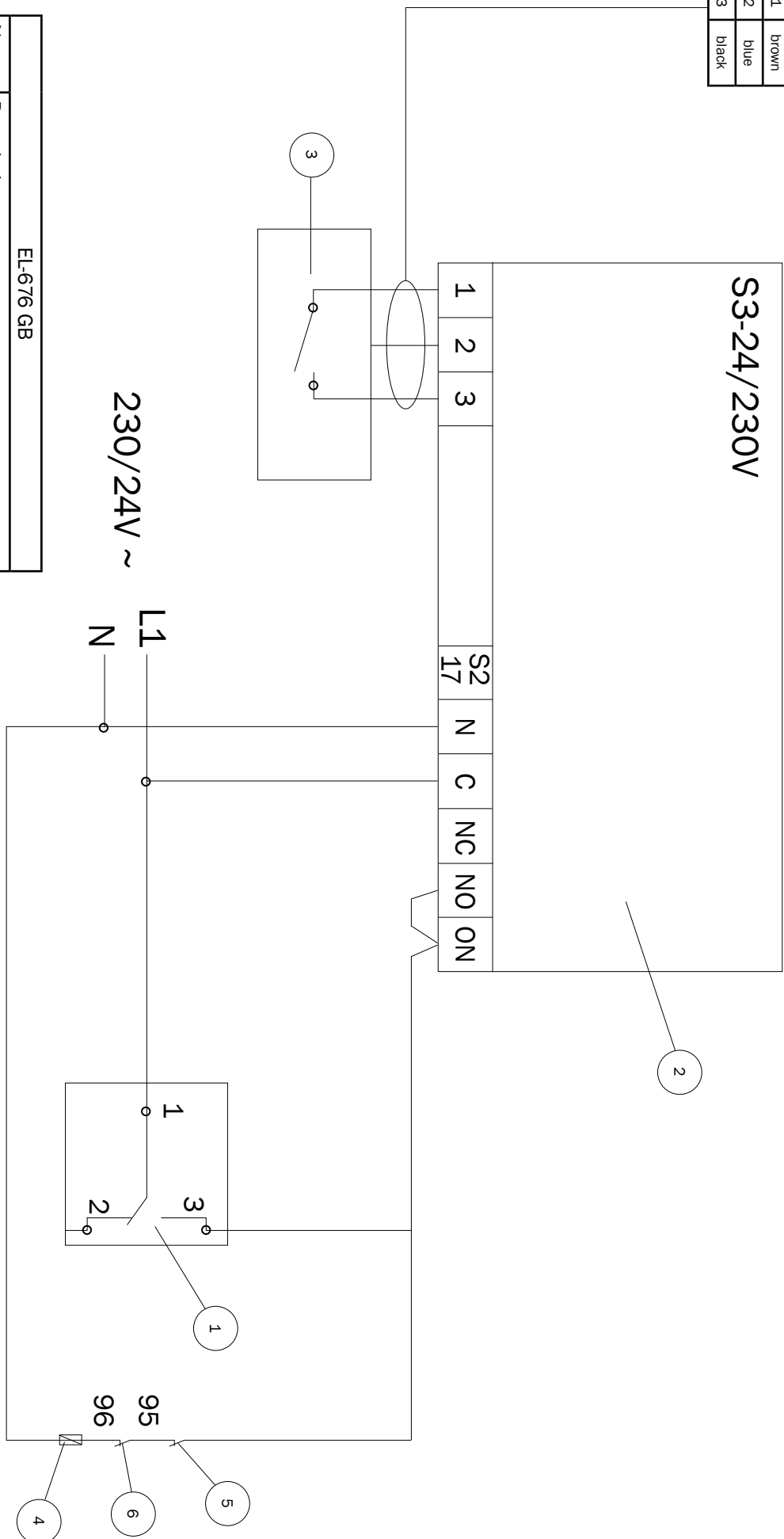
EL-675 GB	
No	Description
1	CLOCK
2	CONTROL BOX
3	SENSOR
4	DRIVE UNIT
5	RECEPTION UNIT
6	CHAIN BREAKAGE SWITCH
7	THERMO ERROR DRIVE UNIT
8	AUXILIARY SWITCH
9	THERMO ERROR RECEPTION UNIT



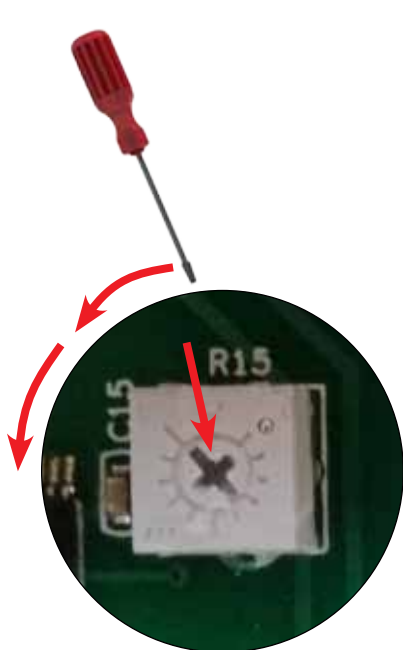
# Wiring for S3 Stop Sensor Print, without motor-driven reception unit

	<b>GB</b>
1	brown
2	blue
3	black

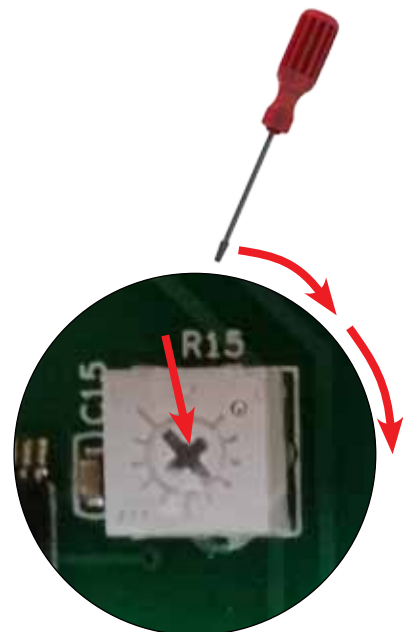
EL-676 GB	
No	Description
1	CLOCK
2	SENSOR
3	CONTROL BOX
4	DRIVE UNIT
5	CHAIN BREAKAGE SWITCH
6	THERMO ERROR DRIVE UNIT



## Timer setting



**MAX 7 min**



**Default setting  
MIN. 1 min**