

MOUNTING INSTRUCTIONS



RECEPTION UNIT TYPE M



ACO FUNKI A/S
Kirkevænget 5
DK-7400 Herning

Tel. +45 9711 9600
www.acofunki.com
www.egebjerg.com

Manufacturer and product data

Manufacturer: ACO Funki A/S
Kirkevænget 5, Gjellerup
DK-7400 Herning
Denmark
Tel. +45 97 11 96 00

Product type: Reception unit, type M

Every effort has been made to ensure that the contents of this manual are correct. However, should you discover any errors, please inform ACO Funki A/S immediately so that they can be corrected.

Despite our efforts, ACO Funki A/S accepts no liability whatsoever for possible errors in the manual or for the consequences of such errors.

ACO Funki A/S reserves the right to change the contents of the manual without prior notice.

1.1 General safety instructions

This product has been designed and manufactured in accordance with the latest engineering standards and acknowledged safety regulations, making it highly reliable. The product may, however, be dangerous for operators or third parties and may cause material damage if operated by unqualified persons or for purposes other than that described in section 5.1.

The following safety instructions must therefore be carefully read and observed.

- The product must only be used for its intended purpose, as described in section 5.1. The general instructions regarding safety and accident prevention must be observed at all times.
- Qualified personnel are persons who by reason of their training, experience or instruction and their knowledge of relevant standards and regulations, accident prevention instructions and operating conditions have been authorised by the person responsible for the safety of the machine to perform appropriate everyday activities, including the identification and prevention of potentially hazardous situations (IEC 364).
- The machine must only be operated by trained personnel. Children may only operate the machine if over 16 years of age, supervised by a qualified adult and where such operation forms part of their training/education.
- To ensure personal safety and reliable operation, only original accessories and spare parts from ACO Funki A/S must be used.
- For safety reasons, unauthorised machine alterations are not permitted.
- Maintenance and repair (of electrical parts in particular) must only be performed by qualified and trained personnel.
- Voltage-carrying, pressure-activated and rotating or in any other way moving machine parts may cause serious or fatal injury if operated incorrectly or if safety instructions are not observed.
- Protection devices must never be disconnected during operation and must never be altered or weakened in relation to their intended effect.
- Current national and international guidelines and regulations regarding accident prevention must be observed at all times, as must general safety requirements.

NOTE: THE DANISH VERSION IS THE ORIGINAL SAMPLE, ALL OTHER LANGUAGE VERSIONS REFER TO THE ORIGINAL SAMPLE.

1.2 Key to symbols

If the safety instructions described in this manual are not observed, personal injury or material damage may result. Such damage may prevent the machine from functioning correctly. Safety instructions and instructions for trouble-free operation are accompanied by the following symbols:



Warning symbol in accordance with ISO 3864 B.3.1.
Caution: risk of personal injury or material damage.



Warning symbol in accordance with ISO 3864 B.3.6.
Caution: risk of electric shock.



Information symbol in accordance with ISO 3864 8.4.
Important instructions for preventing damage to the machine and its function. Instructions for reliable, problem-free operation.

Sections of this manual accompanied by one of these symbols should be read with particular care!

DECLARATION OF CONFORMITY

ACO Funki A/S hereby declares that:

Machine: Reception unit type M

Application: The reception unit must only be used for dry feed (pelleted or meal).

Article No.: 0212-510, 0212-520, 0212-530, 0212-540
0212-610, 0212-620, 0212-630, 0212-640

Standards: The machine conforms to the following standards:

- EN 292-1 Safety of machinery - part 1



The machine has been manufactured in accordance with Council Directive 10/06/2013 machinery Directive 2006/42/EF and subsequent amendments.



ACO Funki A/S



Kirkevænget 5, DK-7400 Herning



www.acofunki.dk



acofunki@acofunki.dk



+45 9711 9600



01.06.2022




ACO Funki A/S
Lene Bryde

TECHNICAL SPECIFICATIONS

3.1 Article No.

Reception unit type M

Article No. 0212-510, 0212-520, 0212-530, 0212-540
0212-610, 0212-620, 0212-630, 0212-640

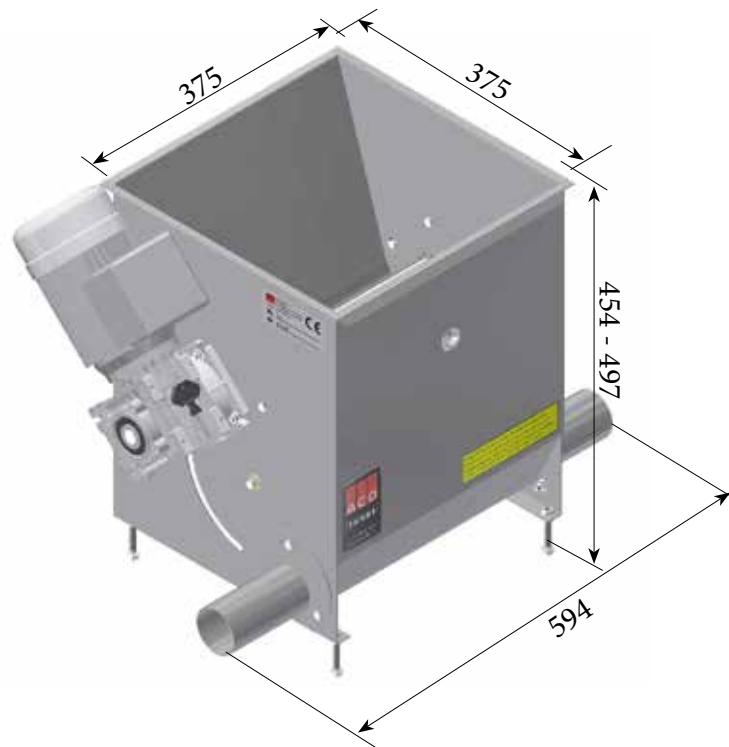
3.2 Application

The reception unit is for dry feed (pelleted or ground feeds).

3.3 Materials

The reception unit is made in galvanised or stainless steel.

3.4 Dimensioned drawing




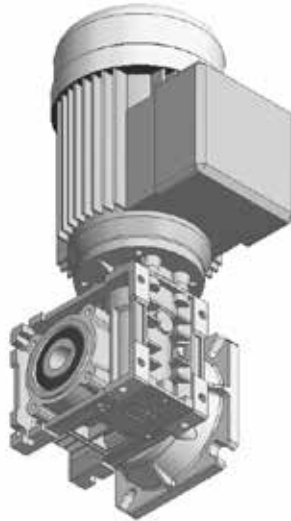
3.5 Weight

All article No.: 25 kg

POWER - REQUIREMENTS

3.6 Power supply

ENGINE SPECIFICATIONS						
PART NO.	IE Nr.	U	F	I	kW	
45100630	03	240V / 400V	50Hz / 60Hz	1,15A / 0,67A	0,18 / 0,22	1365 / 1640



HANDLING

4.1 General handling instructions

The product must not be subjected to impact, sudden temperature changes, direct sunlight, damp surroundings or strong electromagnetic fields.

4.2 Transport packaging

The product is delivered packaged. Do not remove the packaging until the product has been transported to the installation site.

4.3 Storage

The product must be stored in a warm, dry place.

4.4 Unpacking

On delivery, check the product for transport damage. ACO Funki must be informed of any transport damage without delay. If the product is damaged in any way, it must not be taken into operation.

5.1 Electrical connections



All cables must comply with current regulations. Note that there may be special requirements on the use of reinforced cables in agricultural buildings. ACO Funki accepts no liability for damage caused by the use of unsuitable cables or incorrect installation.

- Before connecting the equipment to the power supply, check that the mains voltage and frequency are compatible with the equipment to be used.
- The motor must be protected by a motor protector in accordance with current regulations regarding the connection of electric drives. Check that the motor protector settings comply with the data stated on the motor name plate.
- Before connecting the motor, check the phase order for motor rotation direction.

5.1.1 Power supply

Connect the drive unit electric motor to the mains.

See also section 3.6 Power requirements (voltage, output, power consumption, speed).

5.2 Main and emergency power circuit breaker

The machine must always be equipped with a mains circuit breaker in accordance with current regulations.

5.3 Connection to other equipment



Control unit: see instructions for unit concerned.
Drive unit: see instructions for unit concerned.

5.4 Possible hazards during installation

The drive unit contains heavy and sharp parts. Always wear work gloves and protective footwear when working on the drive unit.

5.5 Possible errors of fitting

Note motor rotation direction when connecting to mains.

The motor protector should be adjusted to suit the rated output of the electric motor.

The Reception unit must not be installed ahead of the drive unit.

WARNINGS

6.1 Intended use

The reception unit must only be used for dry feed (pelleted or meal).

If, despite this instruction, the product is used for purposes other than its intended use, the warranty and all other liabilities will be waived.

6.2 Expected operator contact

As the reception unit is usually operated via a control system, personnel will not be in direct contact with the reception unit.

6.3 Special safety instructions

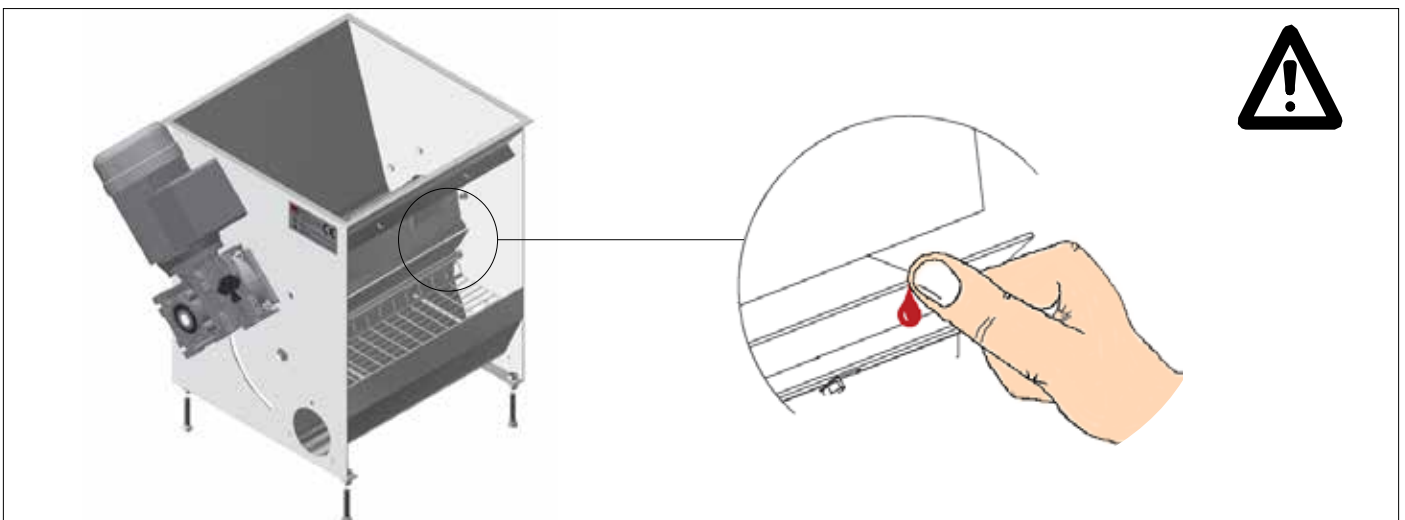
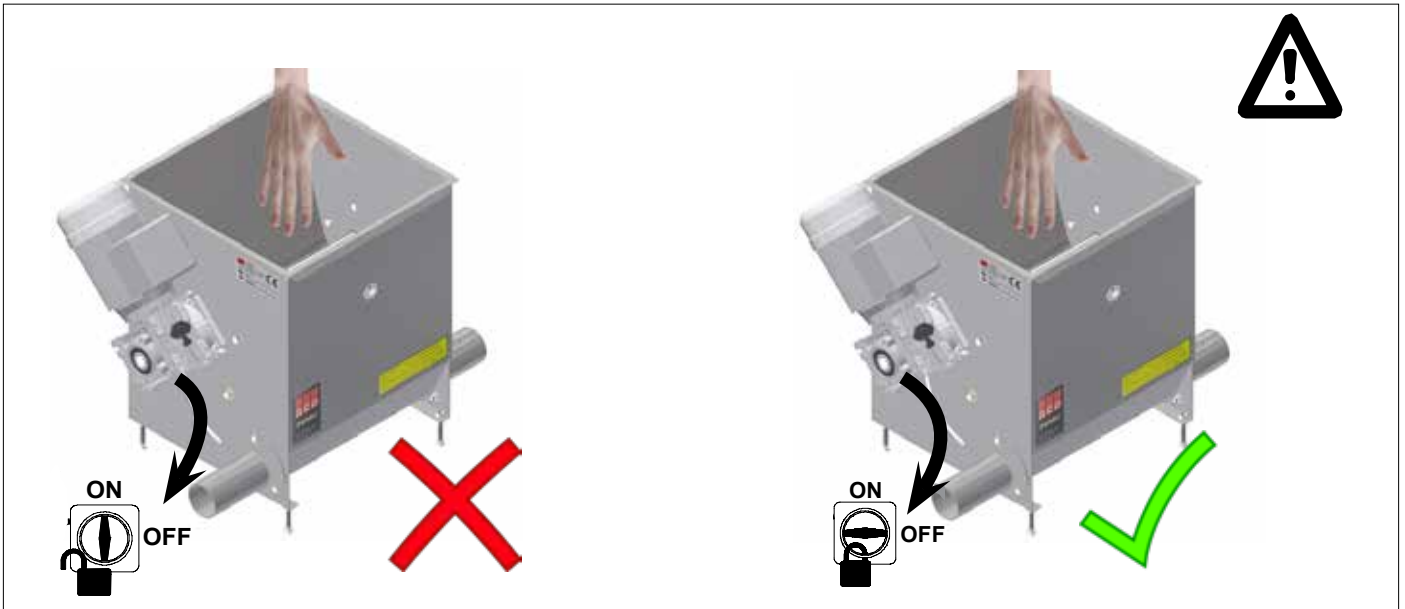
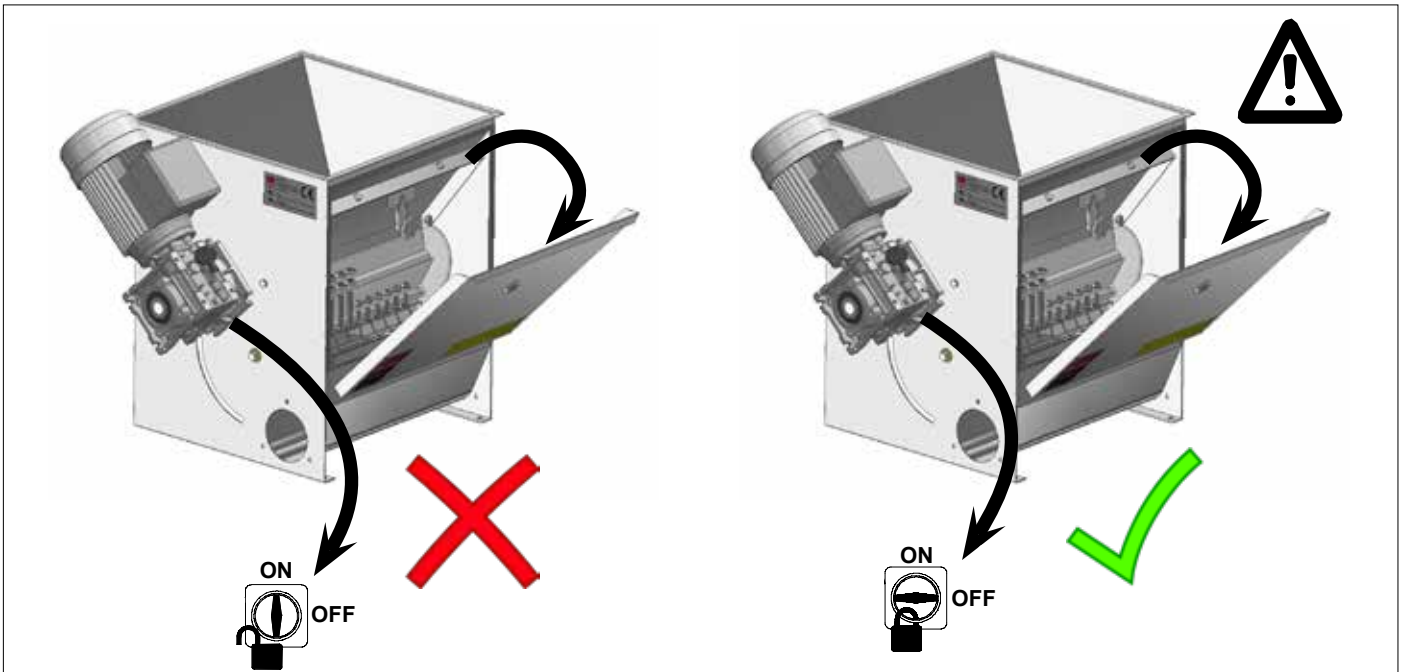
The front panel must never be removed during operation!



Failure to comply with this instruction results in a risk of fingers being trapped in the transport chain.

Note! The machine may start automatically. The power supply must therefore always be disconnected before removing the front panel.

WARNINGS



INSTALLATION INSTRUCTIONS

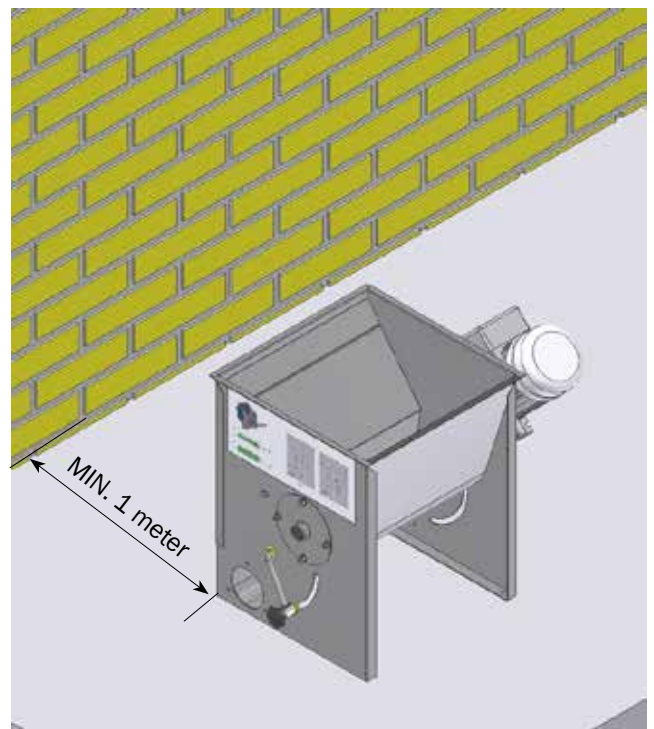
7.1 Foundation requirements

The foundation must be level and stable.

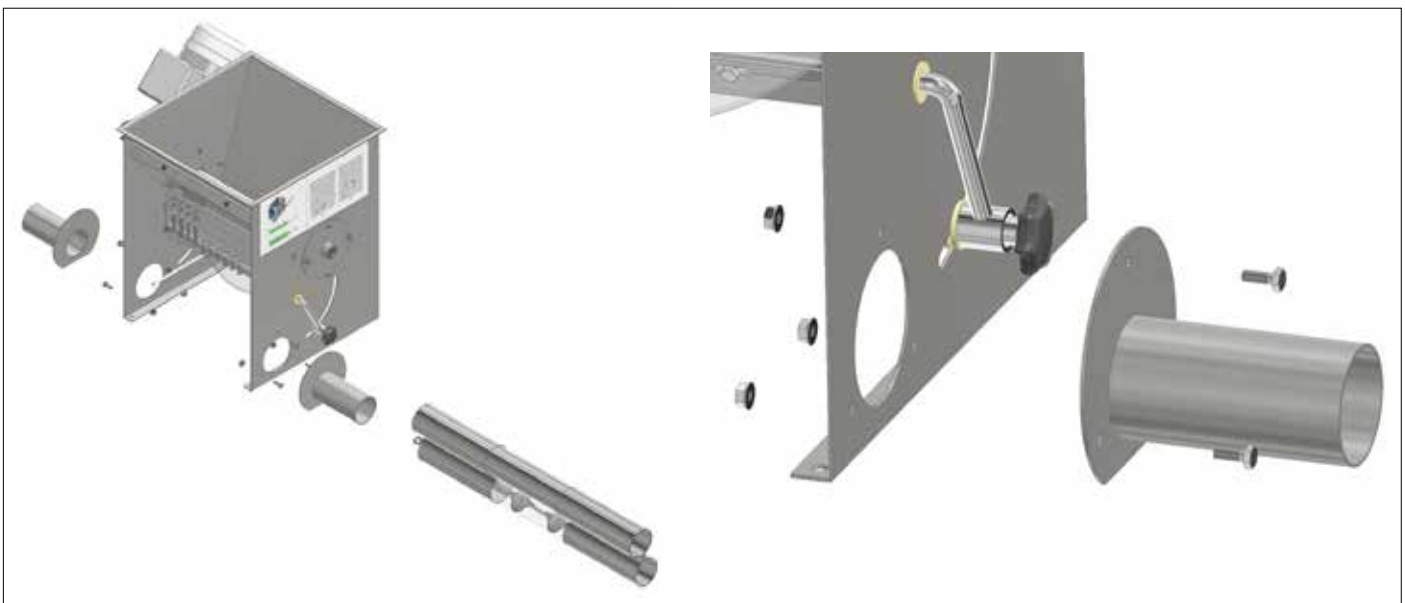
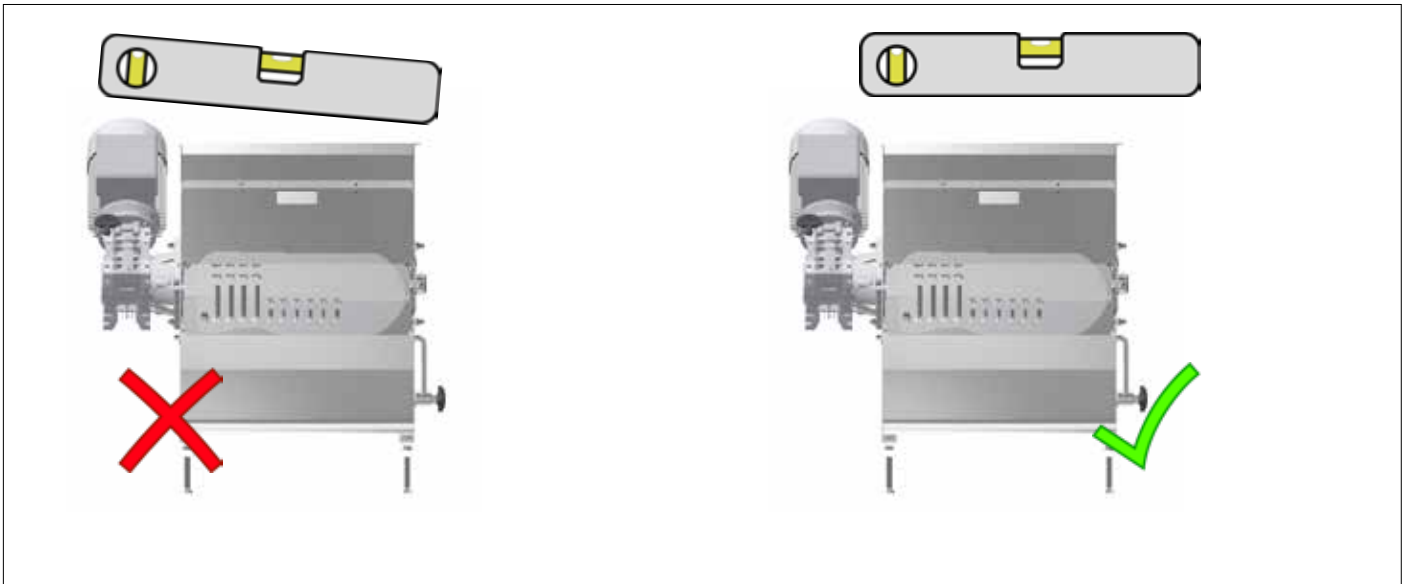
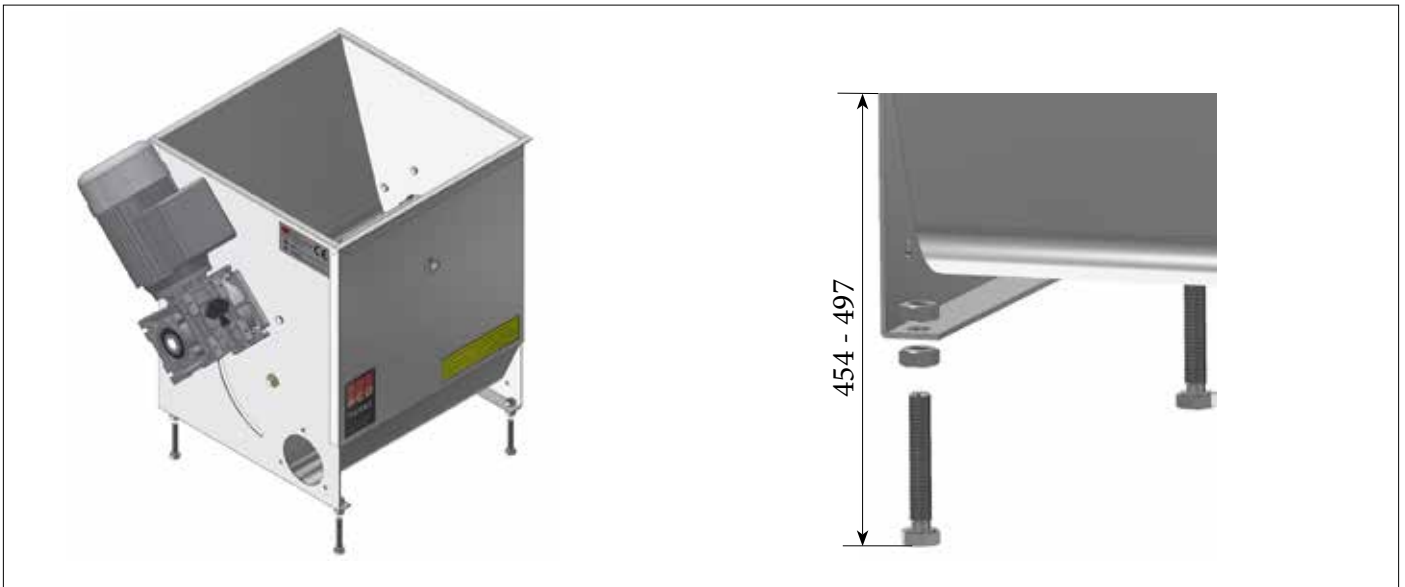
7.2 Free distances around the machine

To facilitate service and maintenance, the following free distances are recommended:

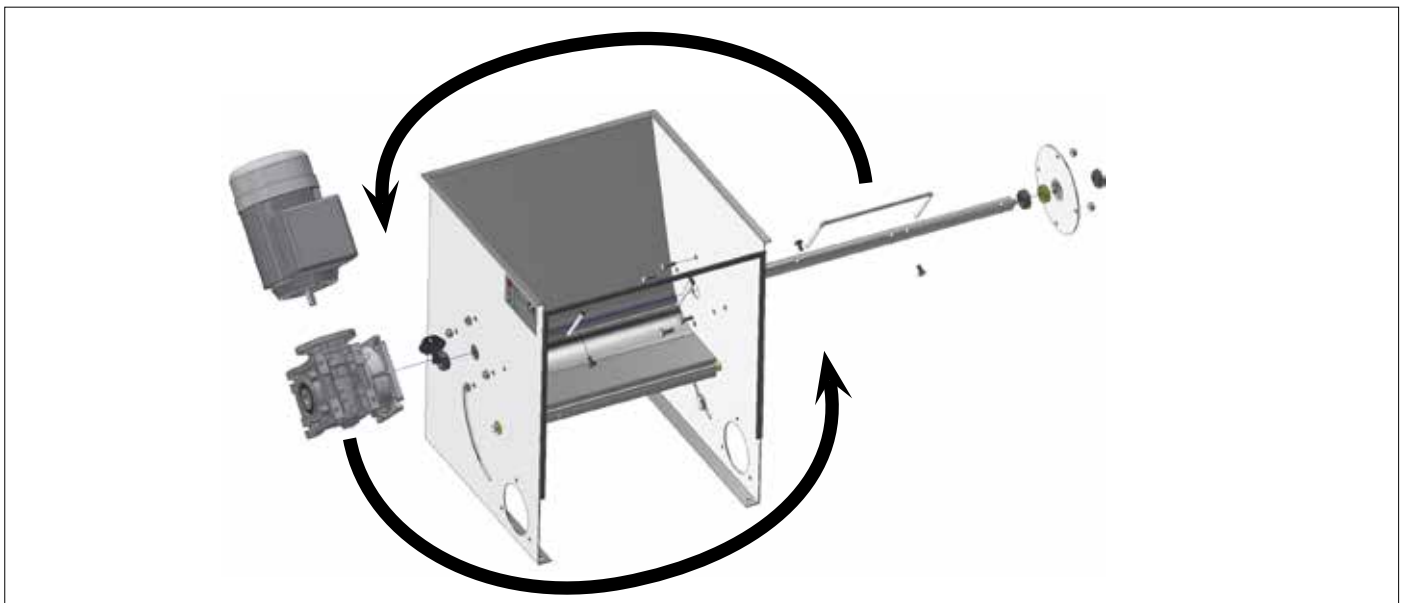
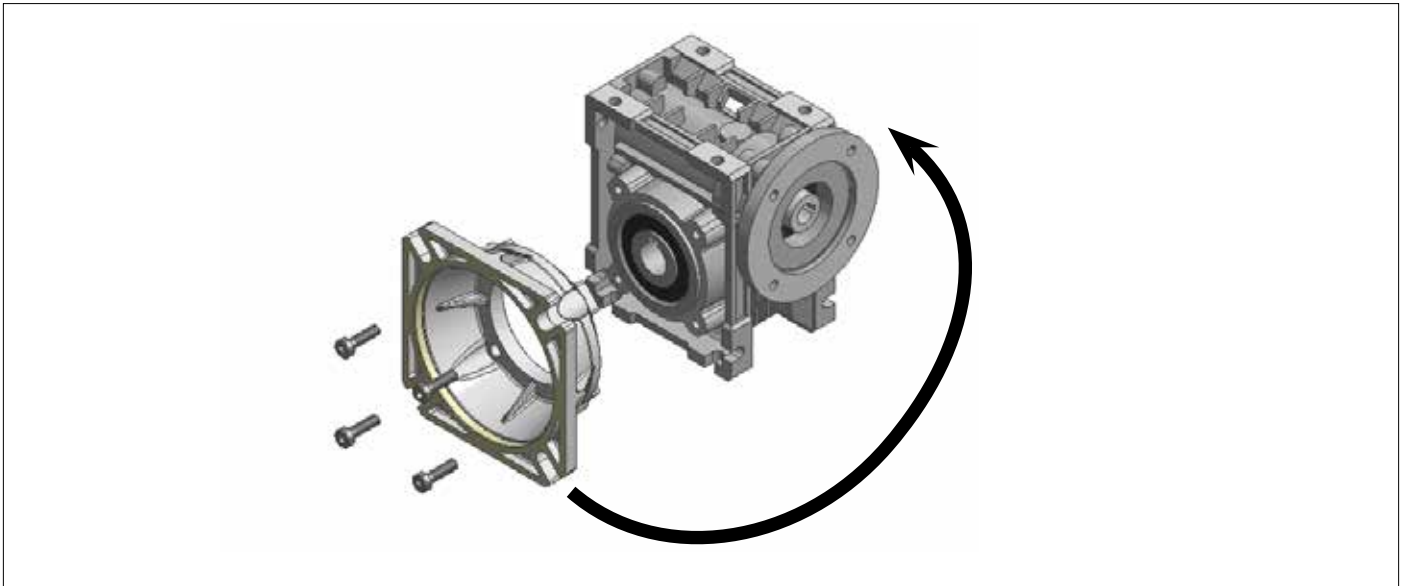
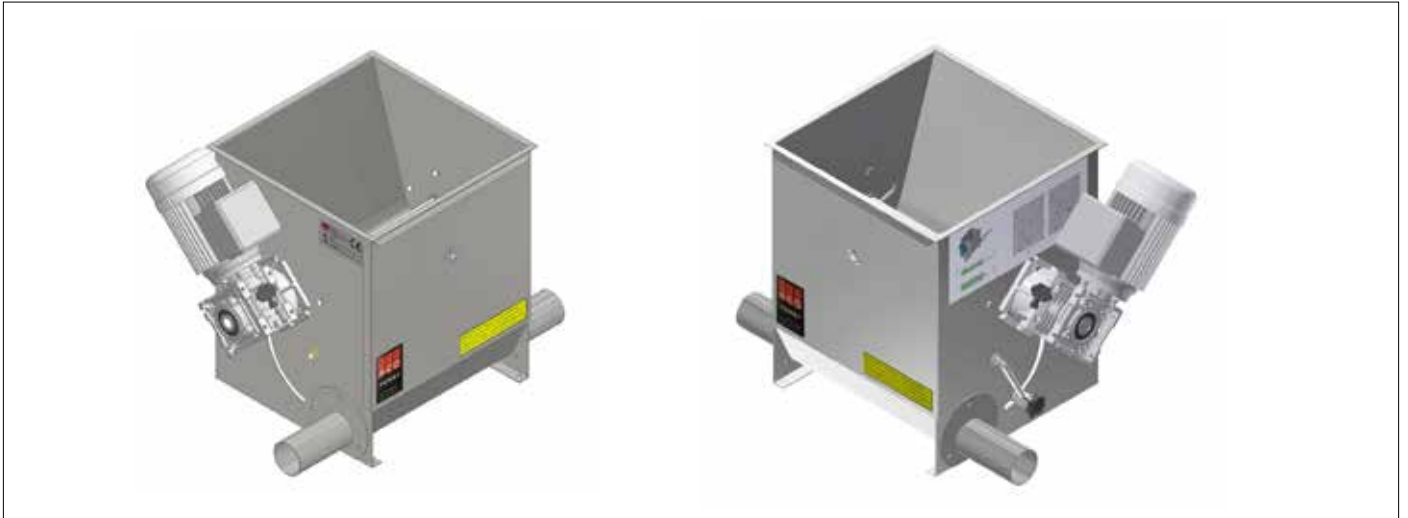
- Between rear of machine and wall: min. 0.5 m.
- Between front of machine and wall: min. 1 m.



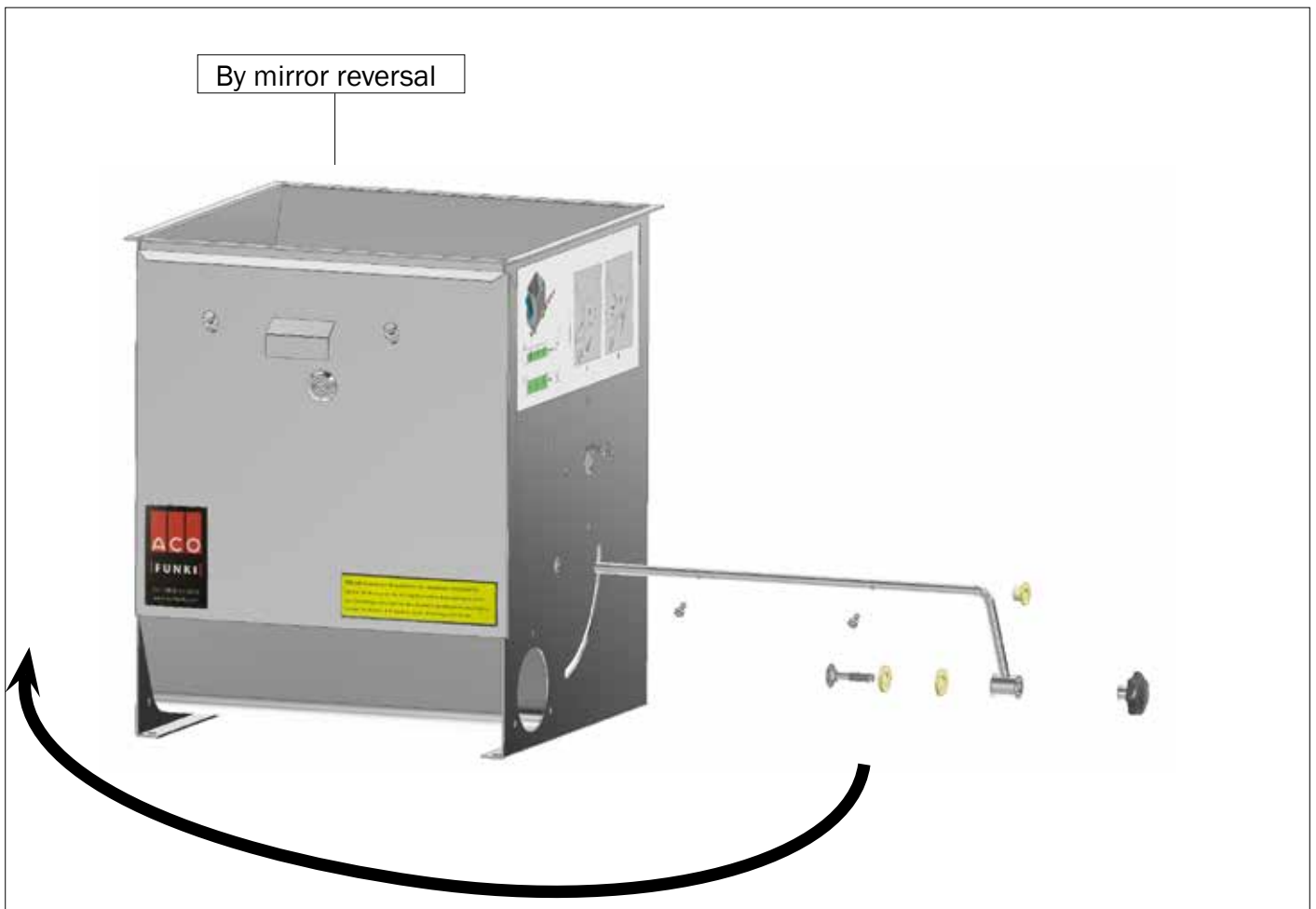
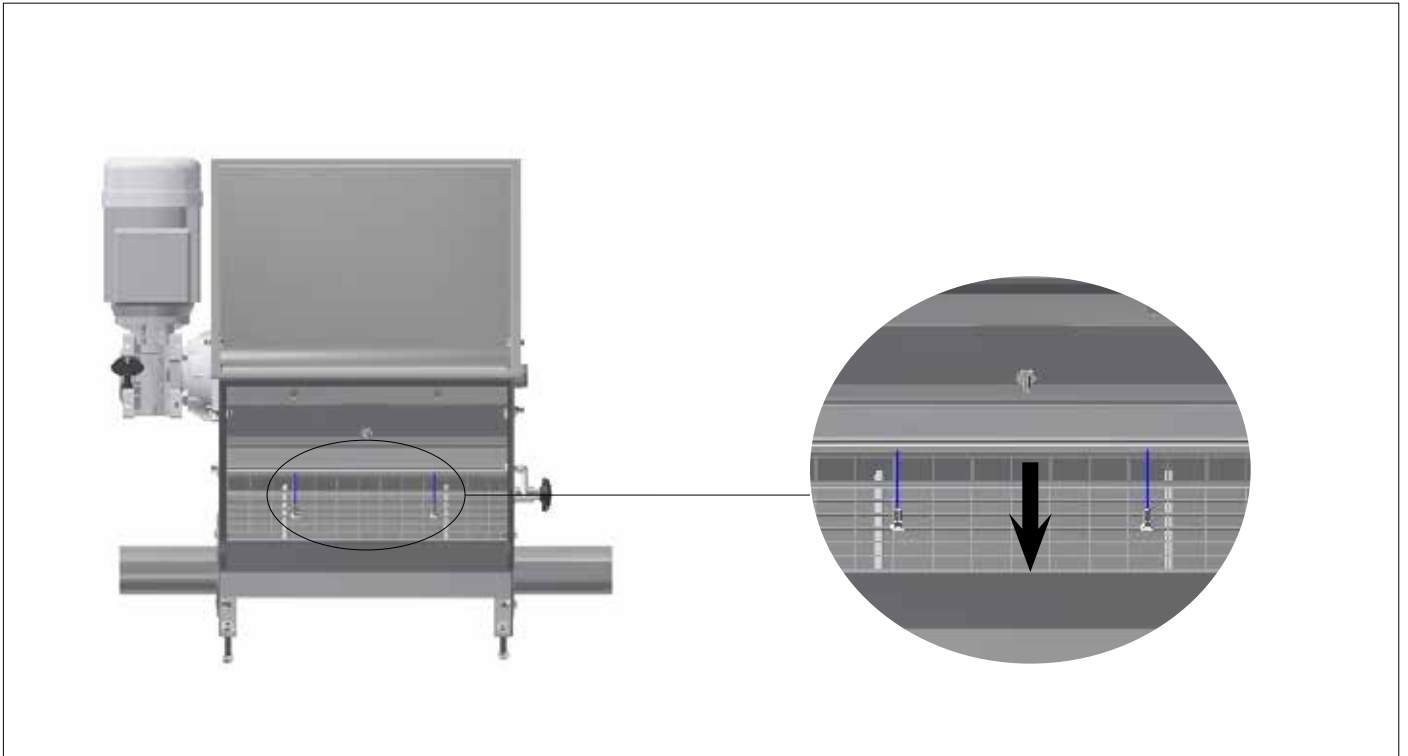
INSTALLATION INSTRUCTIONS



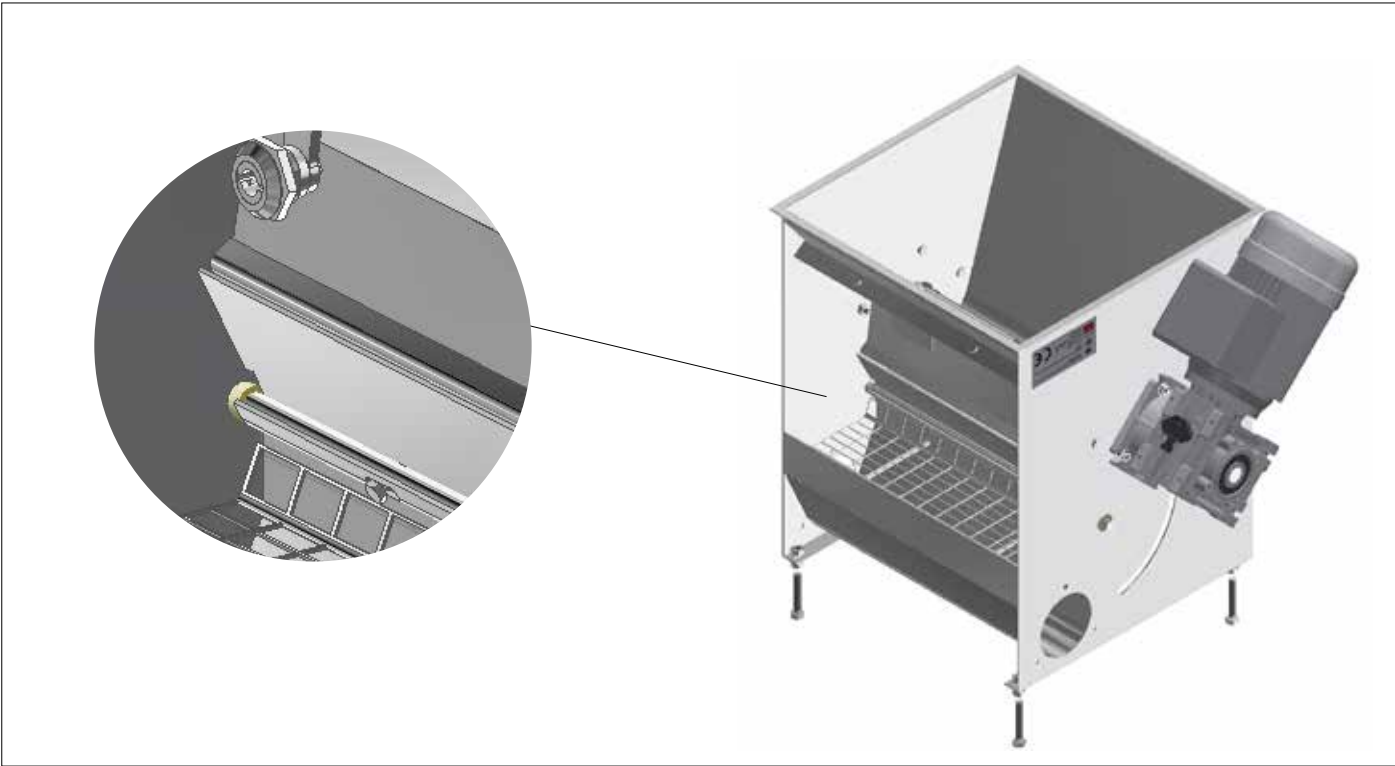
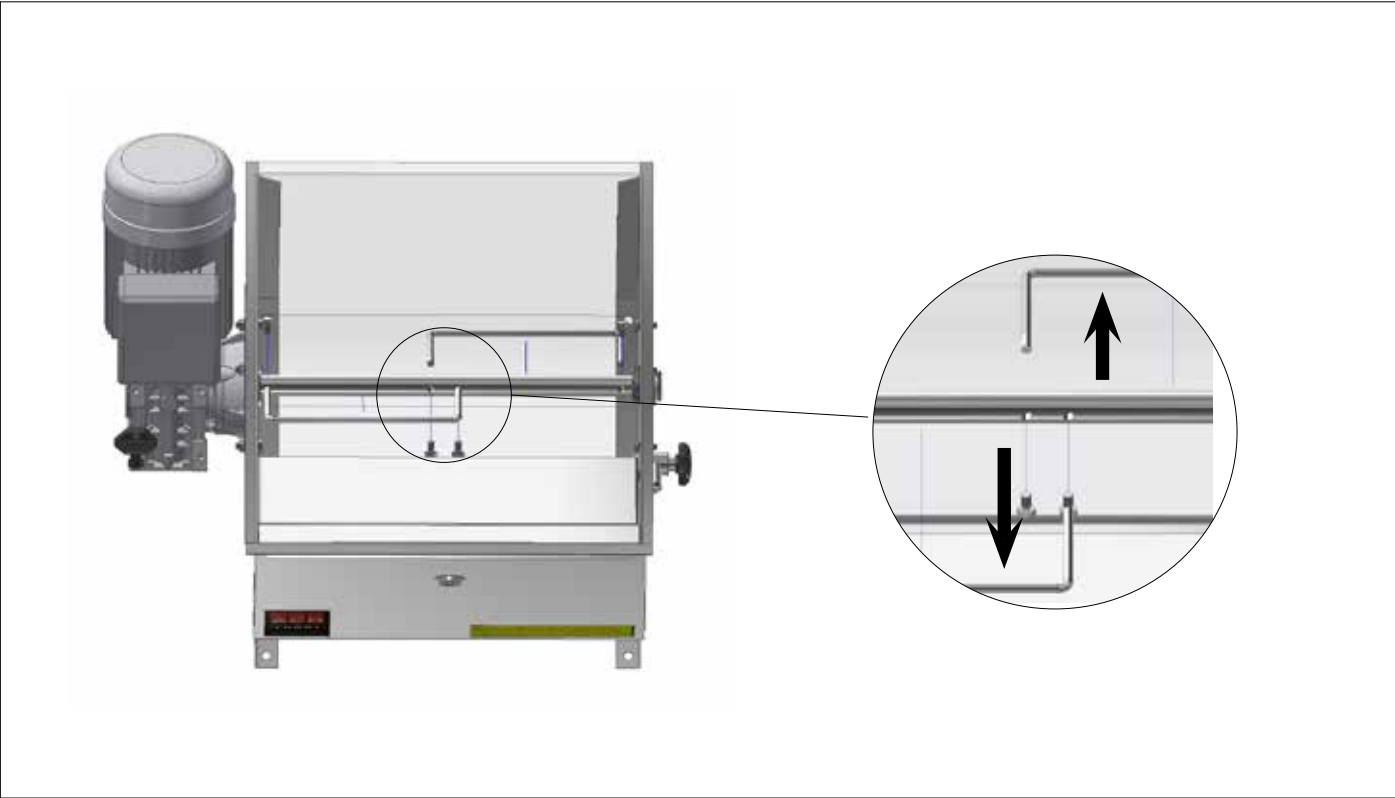
MIRROR REVERSAL OF ENGINE AND GEAR



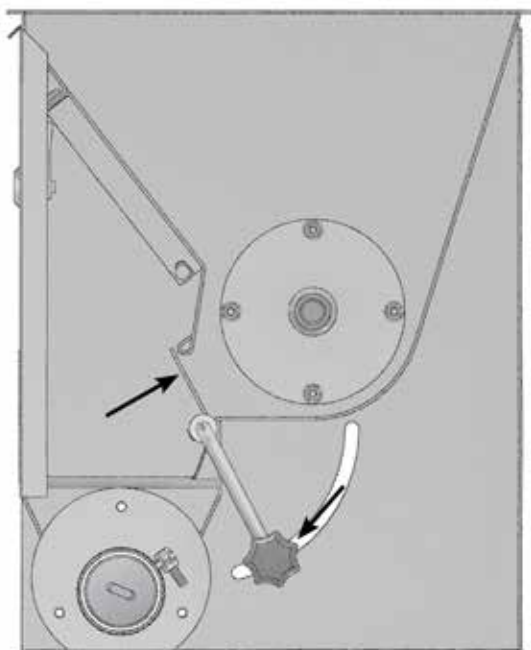
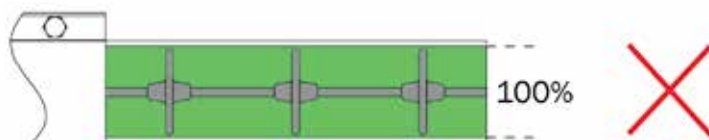
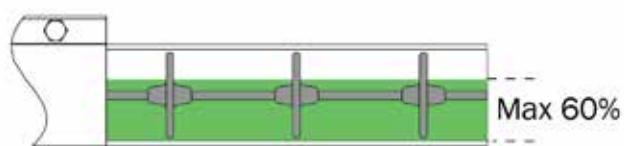
MIRROR REVERSAL OF REGULATIONS ARM



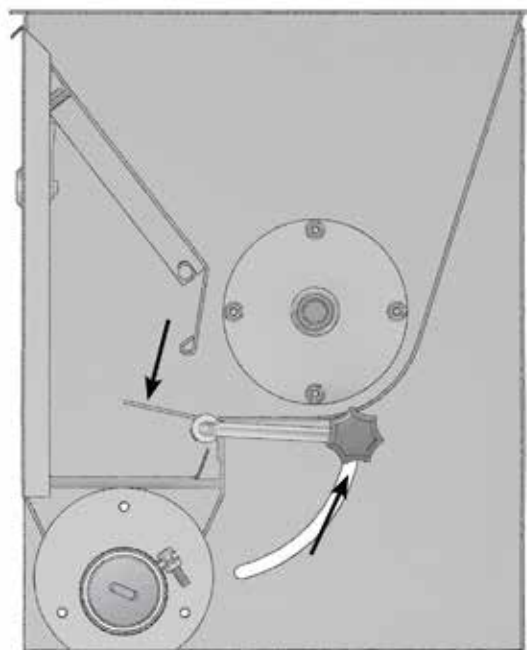
INCREASE OF FEED QUANTITY



OPERATING INSTRUCTIONS

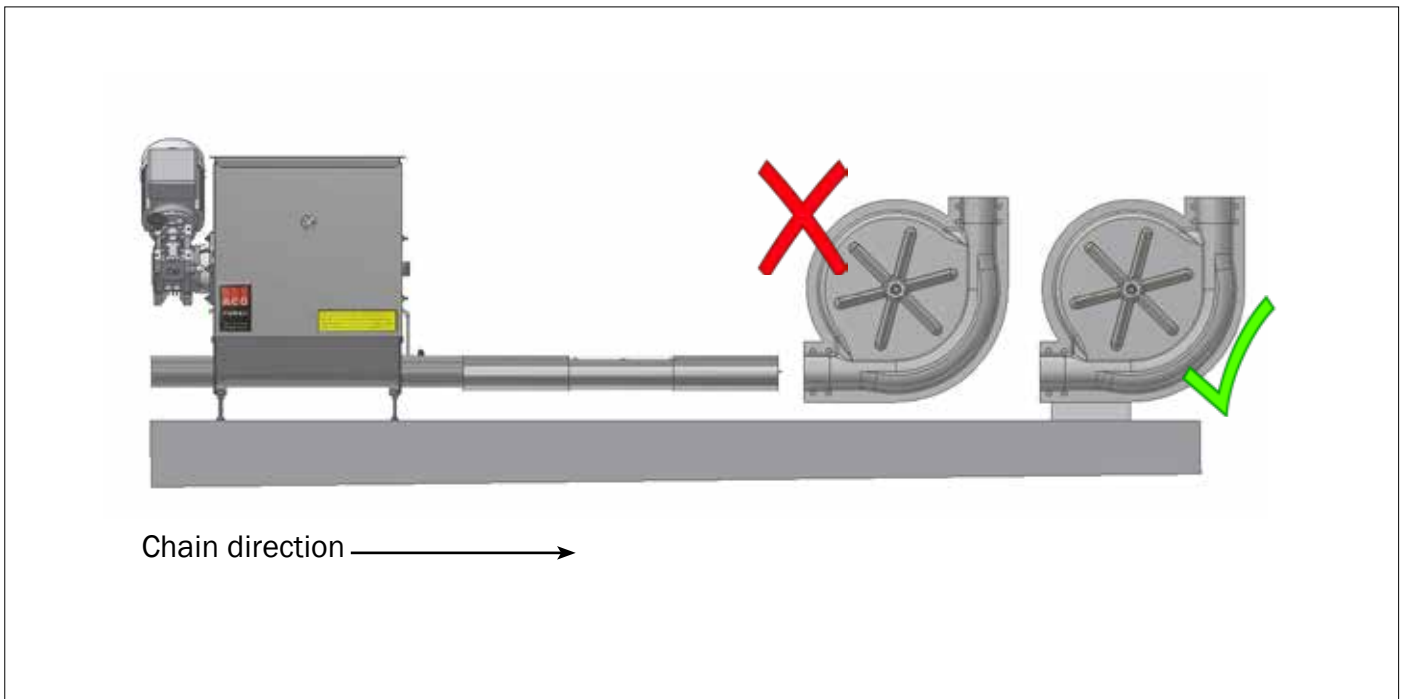
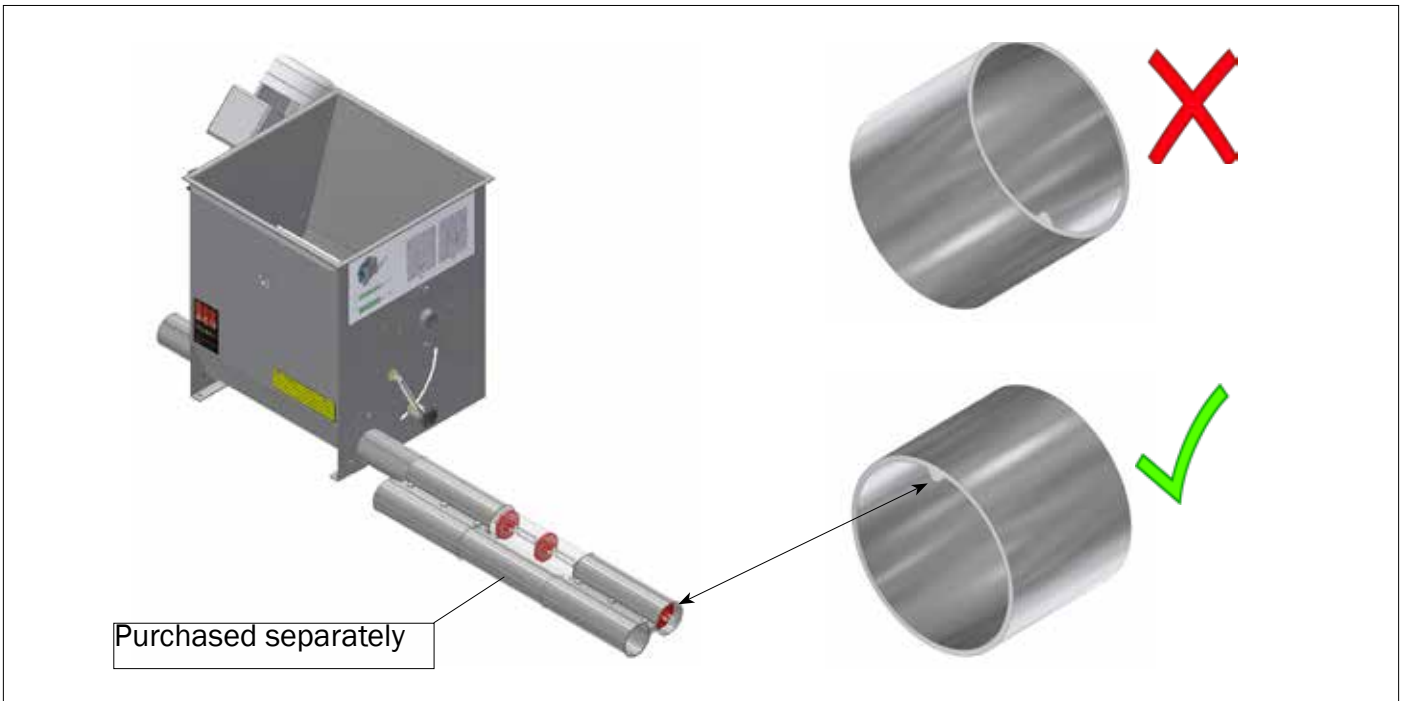


1



2

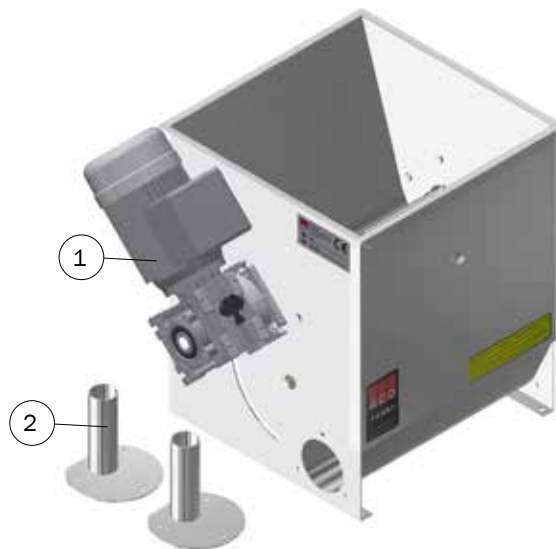
MOUNTING OG INSPECTIONS GLASS AND CORNER



PARTS LIST



PARTS LIST			
NO.	ITEM NO.	PCS.	DESCRIPTION
1	0212-500	1	RECEPTION UNIT INCL. MOTOR 38-76 MM
2	0212-238	2	PIPEBRANCH 38 MM RECEPTION UNIT TYPE M
(2)	0212-250	2	PIPEBRANCH 50 MM RECEPTION UNIT TYPE M
(2)	0212-260	2	PIPEBRANCH 60 MM RECEPTION UNIT TYPE M
(2)	0212-276	2	PIPEBRANCH 76 MM RECEPTION UNIT TYPE M

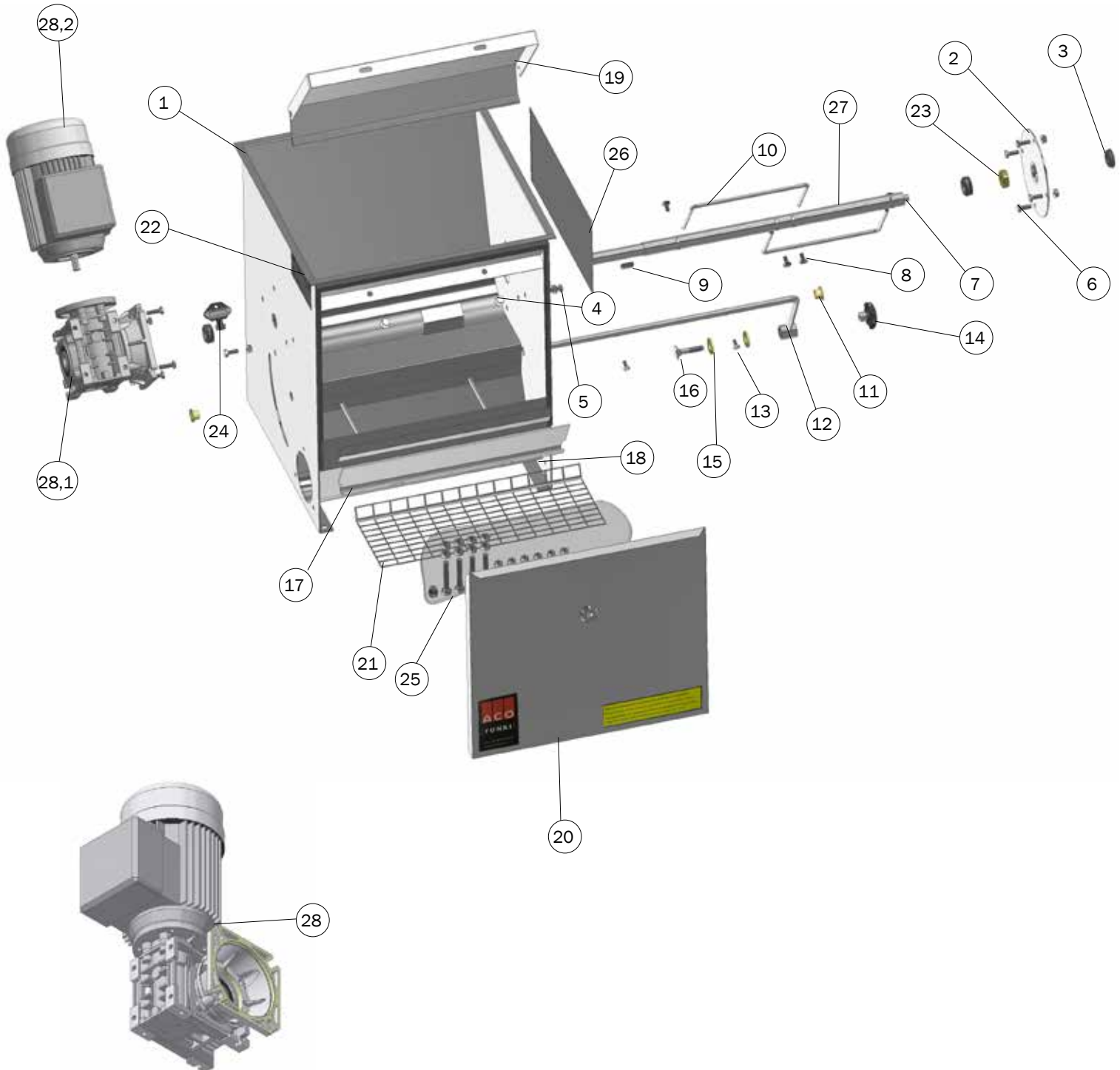


PARTS LIST			
NO.	ITEM NO.	PCS.	DESCRIPTION
1	0212-600	1	RECEPTION UNIT INCL. MOTOR 38-76 MM, SS
2	0212-638	2	PIPEBRANCH 38 MM RECEPTION UNIT TYPE M, SS
(2)	0212-650	2	PIPEBRANCH 50 MM RECEPTION UNIT TYPE M, SS
(2)	0212-660	2	PIPEBRANCH 60 MM RECEPTION UNIT TYPE M, SS
(2)	0212-676	2	PIPEBRANCH 76 MM RECEPTION UNIT TYPE M, SS

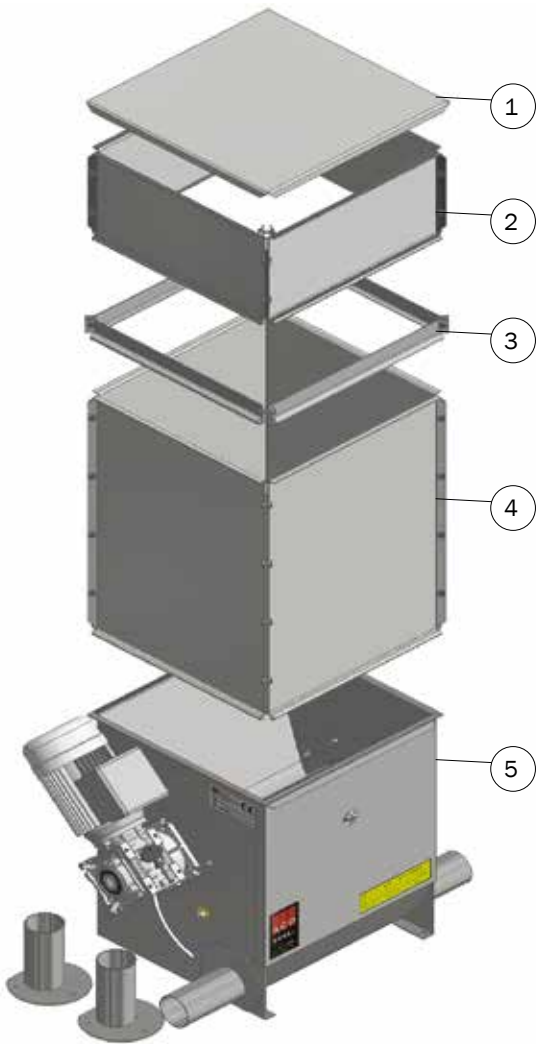
PARTS LIST

PARTS LIST				
Item	Part Number	Part Number SS	QTY	DESCRIPTION
1	0212-285	0212-916	1	CABINET WELDED, Ø38-76
2	0212-172	0212-221	1	CASE FOR BEARING
3	23900303	23900303	1	RUBBER BUSHING
4	30306016	30306016	8	SET SCREW A2 M6X16 DIN 933
5	33506011	33506011	12	COLLAR HEAD NUT M6
6	30306020	30306020	4	SET SCREW A2 M6X20 DIN 933
7	23900317	23900317	2	V-RING, Ø20
8	30306010	30306010	4	SET SCREW A2 M6X10 DIN 933
9	0127-183	0127-183	1	PARALLEL KEY A6X6X20
10	0212-160	0212-160	2	FEEDDRAWELEMENT
11	23900284	23900284	2	FORING Ø10XØ14XØ20
12	0212-161	0212-161	1	GOVERNOR LEVER
13	0212-224	0212-224	1	SPACER, REGULATORARM
14	39900035	39900035	1	KNOB E40-M8
15	35600066	35600066	2	PLASTIC WASHER Ø12X13/24X2,5 DIN 125 A
16	36308040	36308040	1	MUSHROOMHEADED BOLT M8X40 A2 DIN 603
17	0212-147	0212-218	1	REGULATION PLATE
18	30305010	30305010	2	SET SCREW A2 M5X10 DIN 933
19	0212-199	0212-223	1	FRONTPLATE, COMPLETE
20	0212-186	0212-120	1	COVER ASSEMBLY
21	0212-182	0212-217	1	STONETRAP
22	0212-302	0212-402	1	CE LABEL FOR 0212-500
23	44006000	44006000	1	BALL BEARING 6000-2RS1
24	76100081	76100081	1	KEY 1004-34
25	0212-228	0212-228	1	MOUNTING KIT F/RECEPTION UNIT
26	0212-544	0212-544	1	LABEL FOR RECEPTION UNIT
27	0212-230	0212-230	1	SHAFT FOR RECEPTION UNT TMC
28	45100632	45100632	1	GEARMOTOR 0,18KW IE3
28.1	45100631	45100631	1	GEAR FOR 45100632
28.2	45100630	45100630	1	MOTOR IE3 0,18KW FOR 45100632

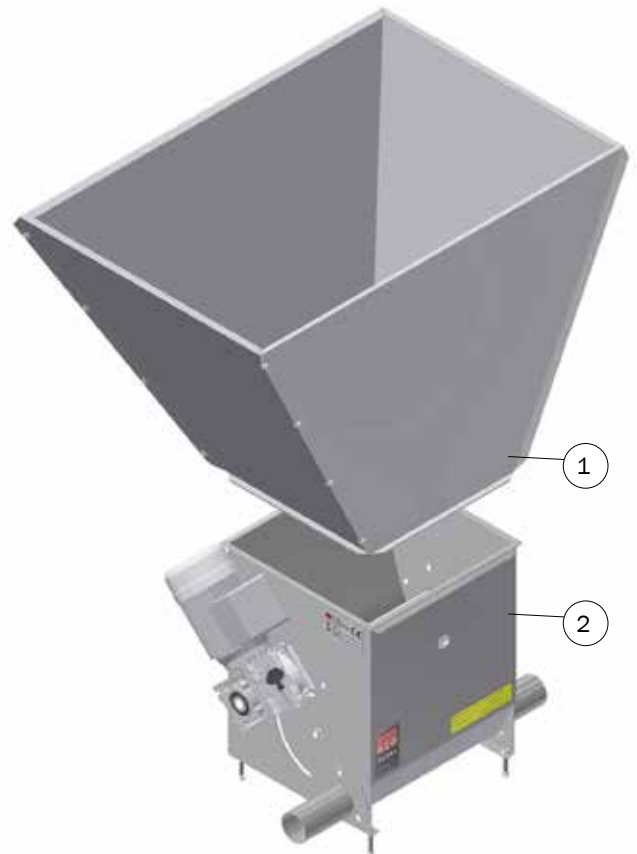
PARTS LIST



PARTS LIST

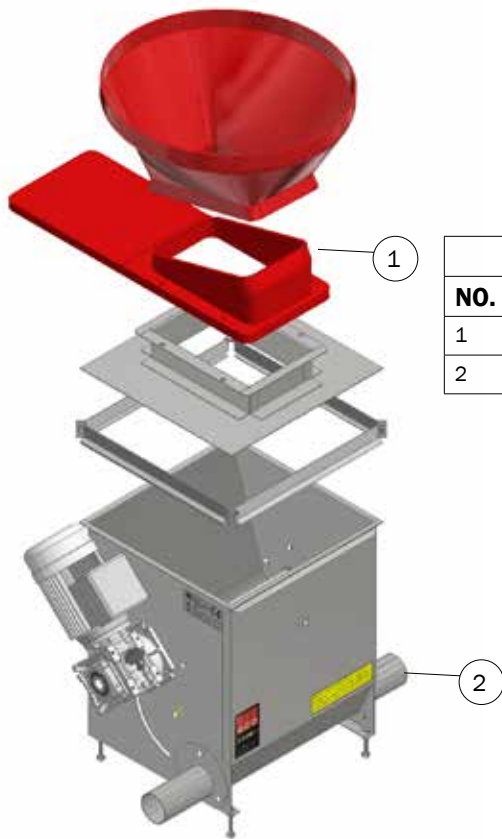


PARTS LIST			
NO.	ITEM NO.	PCS.	DESCRIPTION
1	0112-196	1	COVER FOR 60 L FUNNEL
2	0112-015	1	FUNNEL U-20
3	0112-202	1	STRAP FOR SQUARE FUNNEL
4	0112-014	1	FUNNEL U-60
5	0212-520	1	RECEPTION UNIT TYPE M



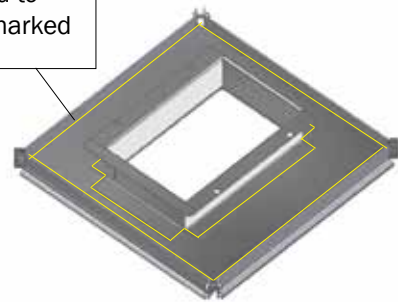
PARTS LIST			
NO.	ITEM NO.	PCS.	DESCRIPTION
1	0112-019	1	FUNNEL U-150 LITER
2	0212-520	1	RECEPTION UNIT TYPE M

PARTS LIST

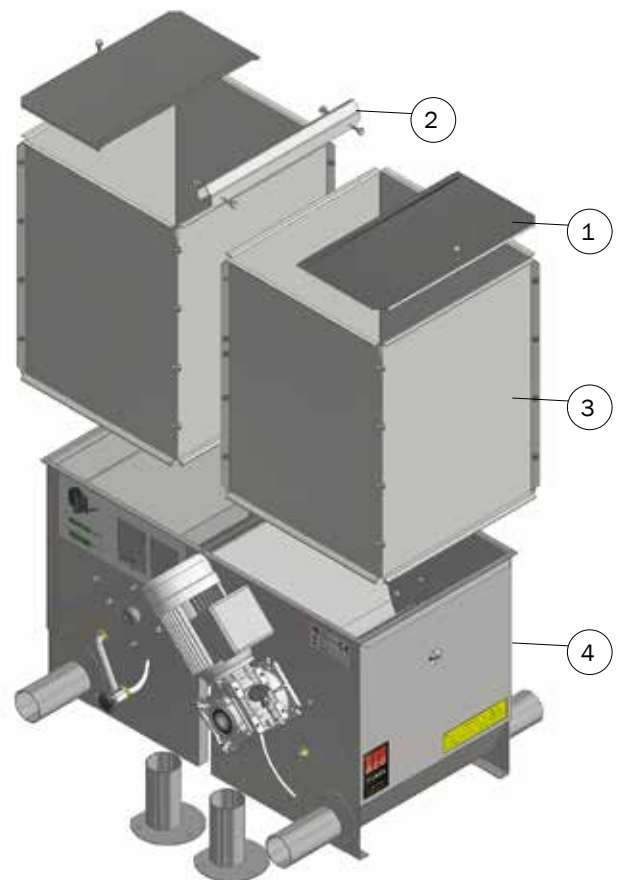


PARTS LIST			
NO.	ITEM NO.	PCS.	DESCRIPTION
1	0212-550	1	TRANSITION SET FROM SILO TO RECEPTION UNIT
2	0212-520	1	RECEPTION UNIT TYPE M

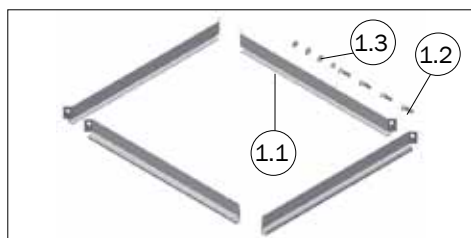
It is recommended to grout where it is marked with yellow.



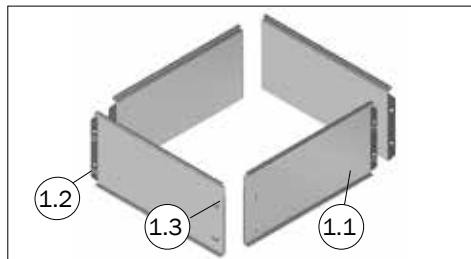
PARTS LIST			
NO.	ITEM NO.	PCS.	DESCRIPTION
1	0112-141	2	COVER.
2	0112-005	1	FEED DISTRIBUTOR FOR RECEPTION UNIT
3	0112-014	2	FUNNEL U-60
4	0212-520	2	RECEPTION UNIT TYPE M



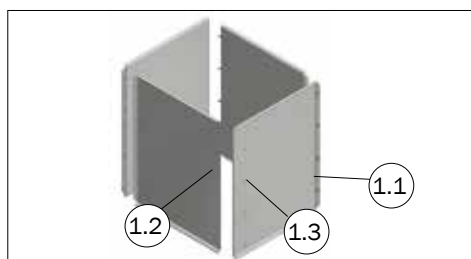
ACCESSORIES FOR RECEPTION UNIT



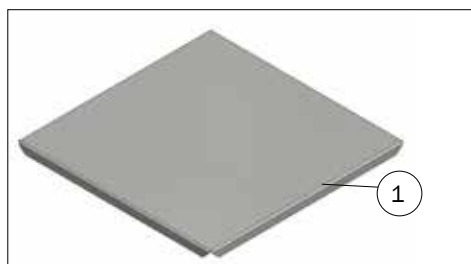
PARTS LIST			
NO.	ITEM NO.	PCS.	DESCRIPTION
1	0112-202	1	STRAP FOR SQUARE FUNNEL
1.1	0112-201	4	BOW FOR SQUARE STRAP
1.2	30306020	4	SET SCREW M6X20 A2 DIN 933
1.3	33506010	4	NUT M6 A2 DIN 934



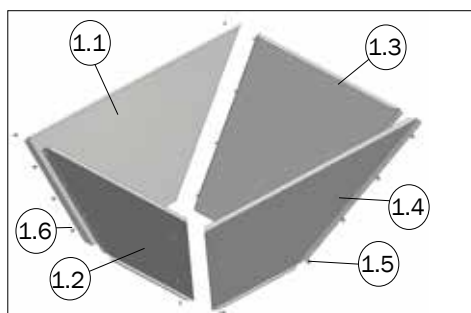
PARTS LIST			
NO.	ITEM NO.	PCS.	DESCRIPTION
1	0112-015	1	FUNNEL U-20
1.1	0112-136	4	SIDE PLATE
1.2	30306020	8	SET SCREW M6X20 A2 DIN 933
1.3	33506010	8	NUT M6 A2 DIN 934



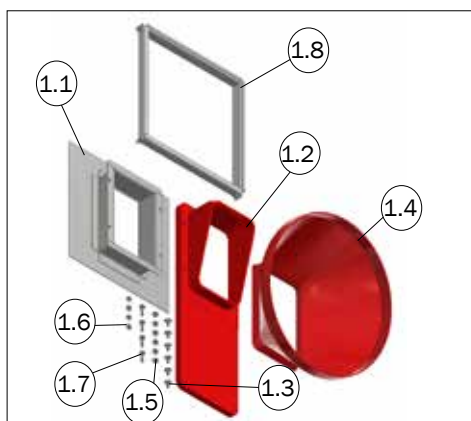
PARTS LIST			
NO.	ITEM NO.	PCS.	DESCRIPTION
1	0112-014	1	FUNNEL U-60
1.1	0112-142	4	SIDE PLATE
1.2	30306020	16	SET SCREW M6X20 A2 DIN 933
1.3	33506010	16	NUT M6 A2 DIN 934



PARTS LIST			
NO.	ITEM NO.	PCS.	DESCRIPTION
1	0112-196	1	COVER FOR 60 L FUNNEL

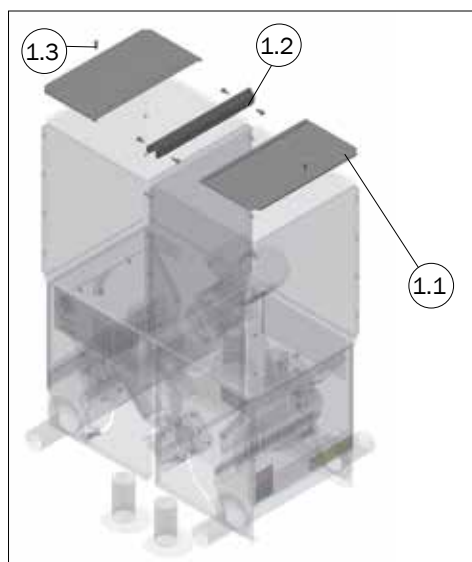


PARTS LIST			
NO.	ITEM NO.	PCS.	DESCRIPTION
1	0112-019	1	FUNNEL U-150 LITER
1.1	0112-160	1	BACK PLATE U-150
1.2	0112-161	1	RIGHT SIDE PLATE U-150
1.3	0112-162	1	LEFT SIDE PLATE U-150
1.4	0112-159	1	FRONT PLATE U-150
1.5	30306020	16	SET SCREW M6X20 A2 DIN 933
1.6	33506010	16	NUT M6 A2 DIN 934

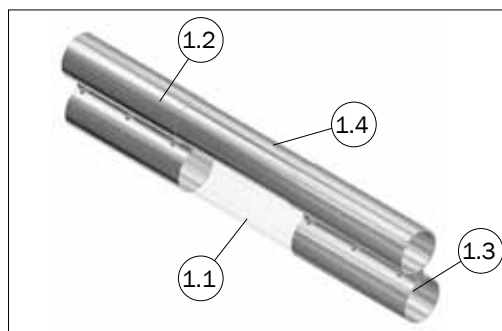


PARTS LIST			
NO.	ITEM NO.	PCS.	DESCRIPTION
1	0212-550	1	TRANSITION SET FROM SILO TO RECEPTION UNIT
1.1	0212-545	1	TRANSITION SILO FOR RECEPTIONUNIT
1.2	0212-552	1	TRANSITION SILO WITH DAMPER, RED
1.3	67323	6	8 x 16 SCREW A2 FRH
1.4	0212-551	1	TRANSITION ADAPTER FOR SILO, RED
1.5	68552	6	M8 FLANGE NUT DIN 6923 A2
1.6	33508013	4	NUT M8 A2 DIN 934
1.7	30308025	4	SET SCREW M6X20 A2 DIN 933
1.8	0112-202	1	MOUNTING OF STRAP

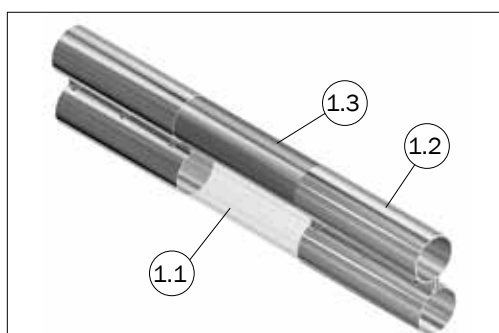
ACCESSORIES FOR RECEPTION UNIT



PARTS LIST			
NO.	ITEM NO.	PCS.	DESCRIPTION
1	0112-025	1	CONNECTING SET F/DOUBLE RECEP.
1.1	0112-010	1	FEED DISTRIBUTOR FOR RECEPTION UNIT
1.2	0112-141	2	COVER
1.3	35104025	2	SPLIT PIN 4X25 FZB DIN 94



PARTS LIST			
NO.	ITEM NO.	PCS.	DESCRIPTION
(1)	0153-638	1	INSPEKTIONS GLAS, 38MM
(1.1)	88810	1	INSPECTION TUBE 38X400 MM F/SENSOR
(1.2)	86125	2	UNION CONNECT. FOR 38 MM FEED
(1.3)	86100	2	UNION CONNECT. FOR 60 MM FEED
(1.4)	0153-445	1	SUPPORT PIPE FOR STOPSENSOR
(1)	0153-650	1	INSPEKTIONS GLAS, 50MM
(1.1)	88812	1	INSPECTION TUBE 50X400 MM F/SENSOR
(1.2)	86115	2	UNION CONNECT. FOR 50 MM FEED
(1.3)	86100	2	UNION CONNECT. FOR 60 MM FEED
(1.4)	0153-445	1	SUPPORT PIPE FOR STOPSENSOR
(1)	0153-660	1	INSPEKTIONS GLAS, 60MM
(1.1)	88814	1	INSPECTION TUBE 60X400 MM F/SENSOR
(1.2)	86100	4	UNION CONNECT. FOR 60 MM FEED
(1.4)	0153-445	1	SUPPORT PIPE FOR STOPSENSOR
(1)	0153-676	1	INSPEKTIONS GLAS, 78MM
(1.1)	0170-826	1	INSPECTION TUBE 75 x 400
(1.2)	86100	2	UNION CONNECT. FOR 60 MM FEED
(1.3)	86137	2	UNION CONNECT. FOR 76 MM FEED
(1.4)	0153-445	1	SUPPORT PIPE FOR STOPSENSOR



PARTS LIST			
NO.	ITEM NO.	PCS.	DESCRIPTION
1	0153-661	1	INSPEKTIONS GLAS, 60MM RUSTFRI
(1.1)	88814	1	INSPECTION TUBE 60X400 MM F/SENSOR
(1.2)	86109	4	UNION CONNECT. FOR 60 MM FEED SS
(1.3)	0153-445	1	SUPPORT PIPE FOR STOPSENSOR

MAINTENANCE

8.1 Gearbox

Check gearbox for leaks, around seals in particular. If leaks are discovered, replace defective gearbox parts or entire gearbox if necessary.

Keep gearbox cooling fins clean.

8.1.1 Electric motor

Keep motor cooling fins and fan cover clean.

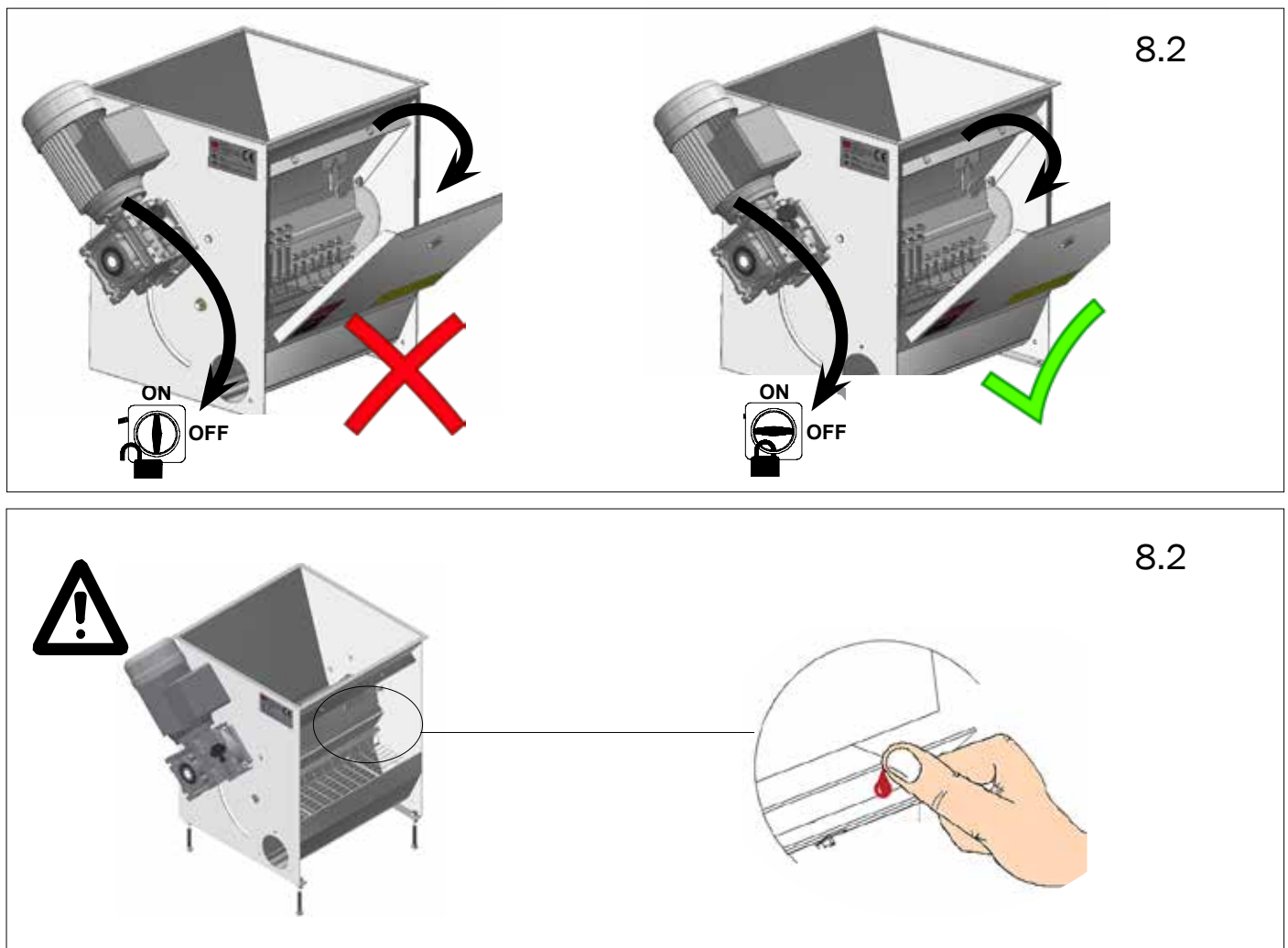
8.2 Cleaning

The motor and gearbox must be kept clean to ensure optimum cooling.

Keep inside of unit free of feed residues. This is particularly important if the unit is installed in damp surroundings.

8.3 Parts list

To view the latest spare parts list, please read page 18+19.



DISPOSAL

The product should be disposed of in accordance with current disposal regulations.