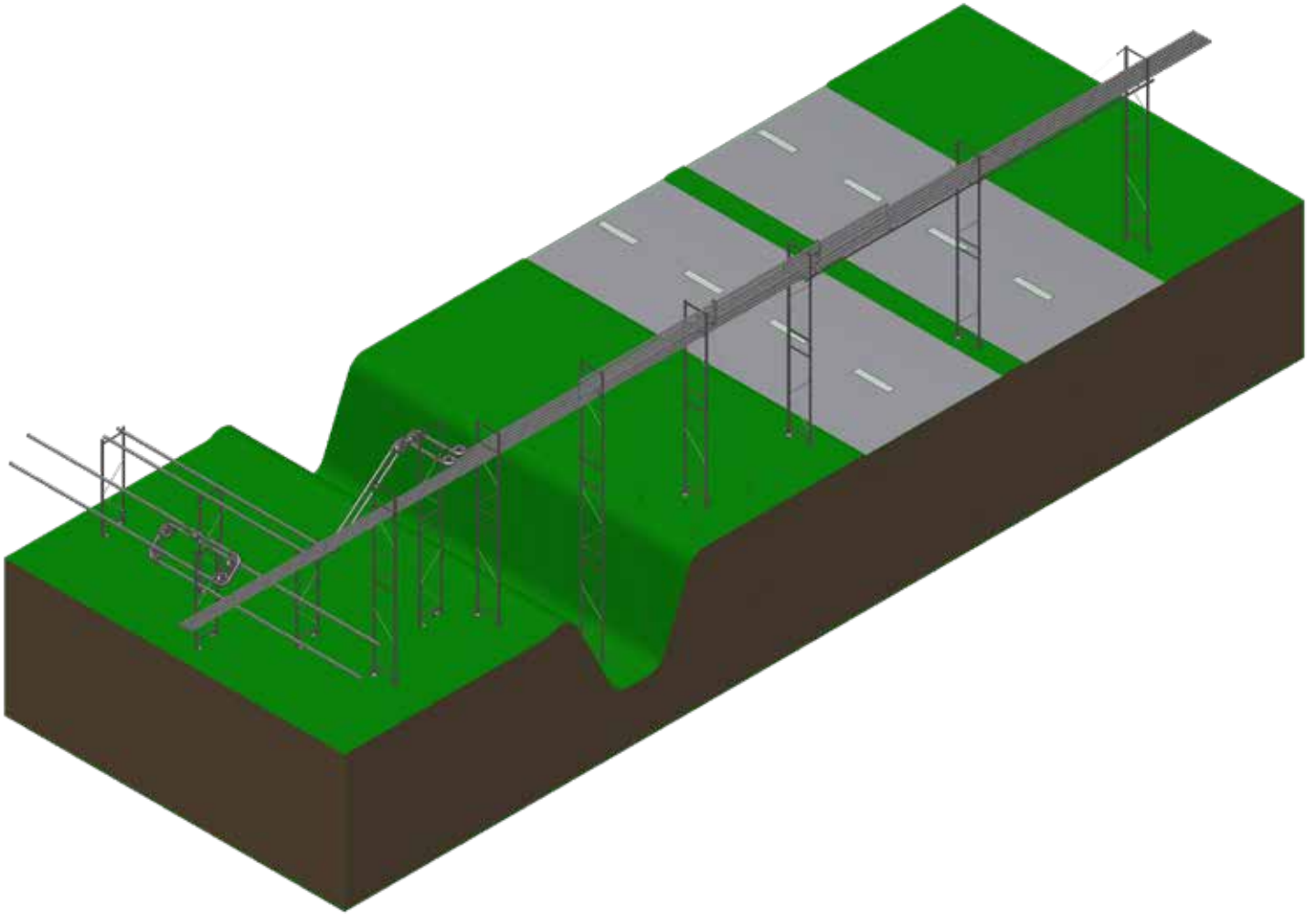


MOUNTING INSTRUCTION



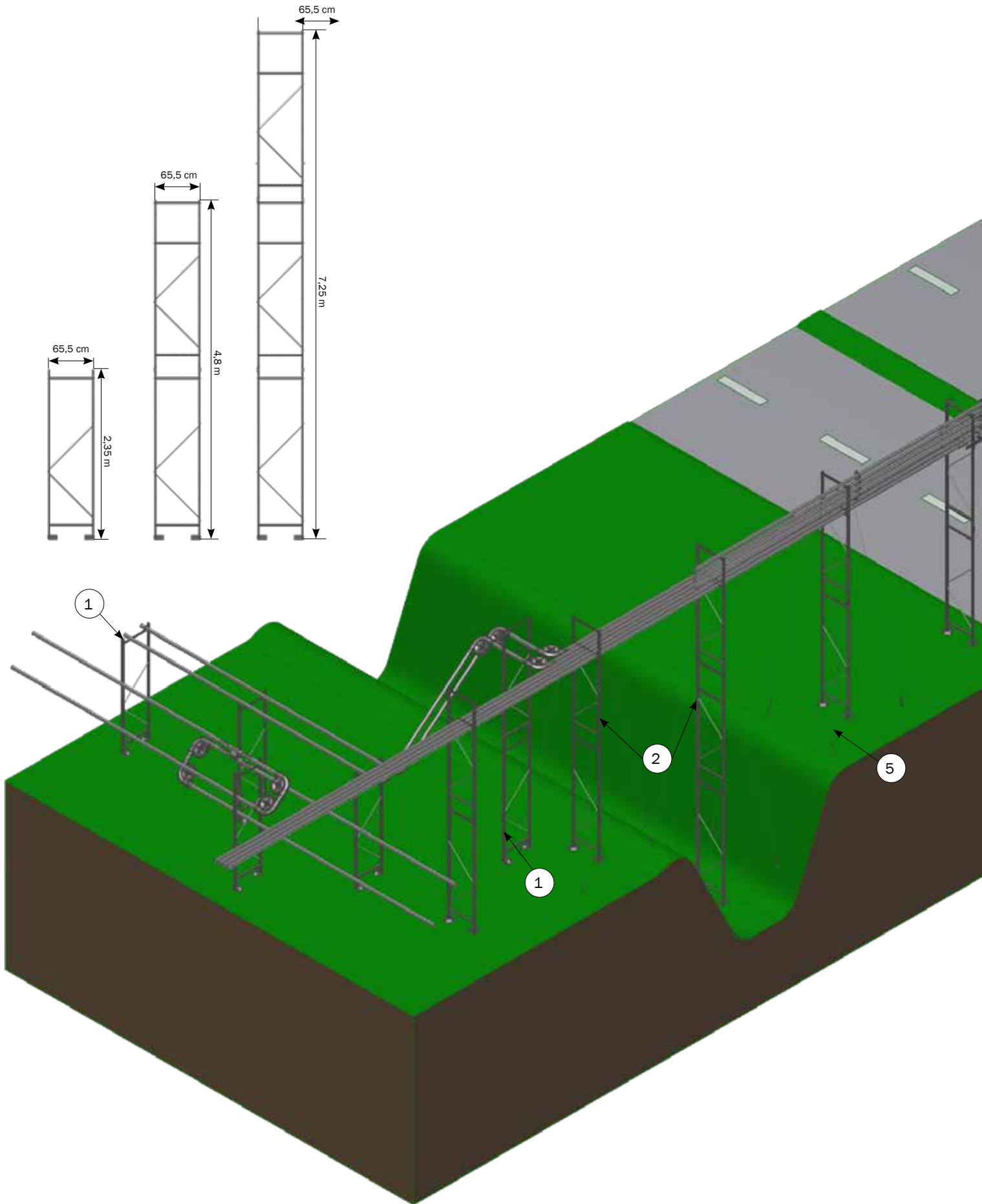
SUPPORT SYSTEM FOR FEEDING



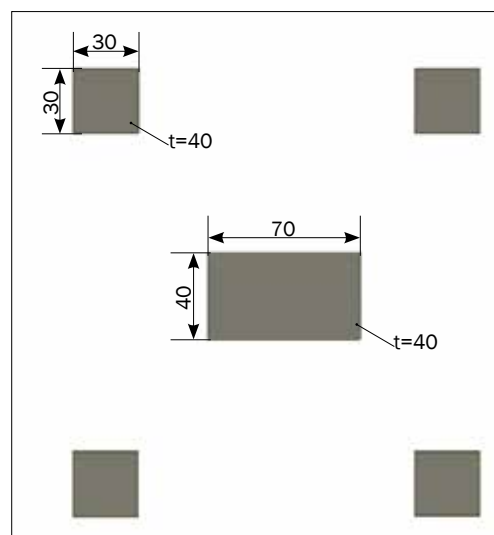
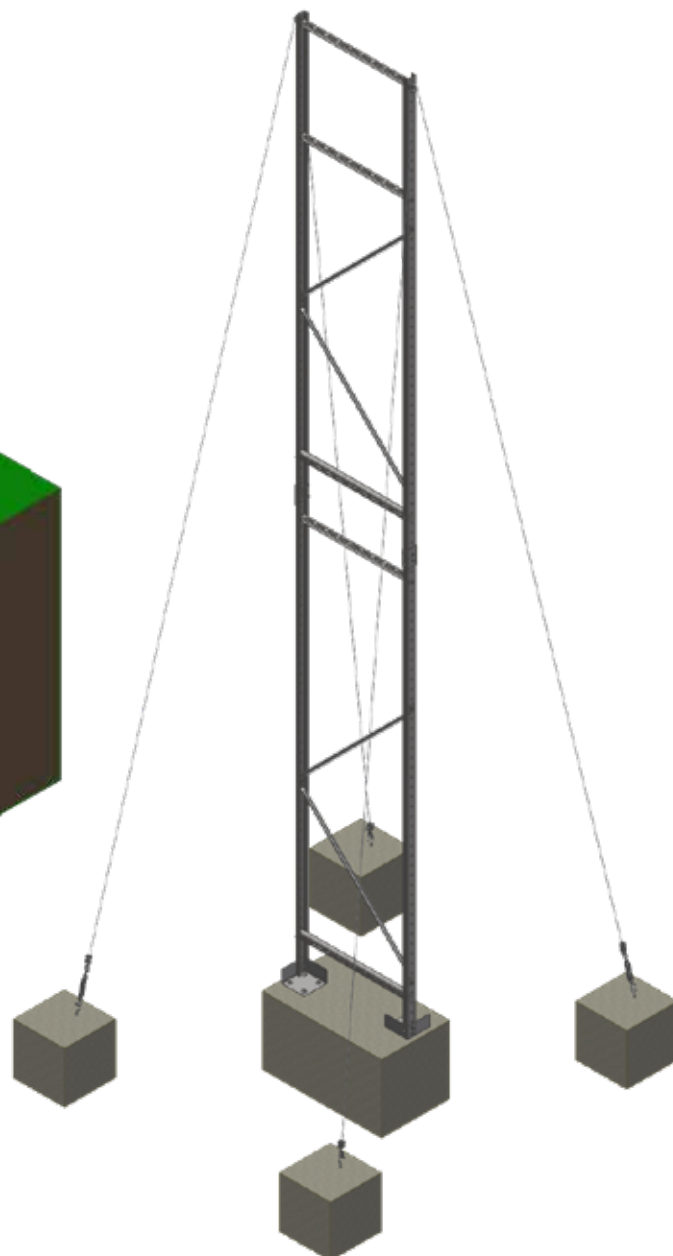
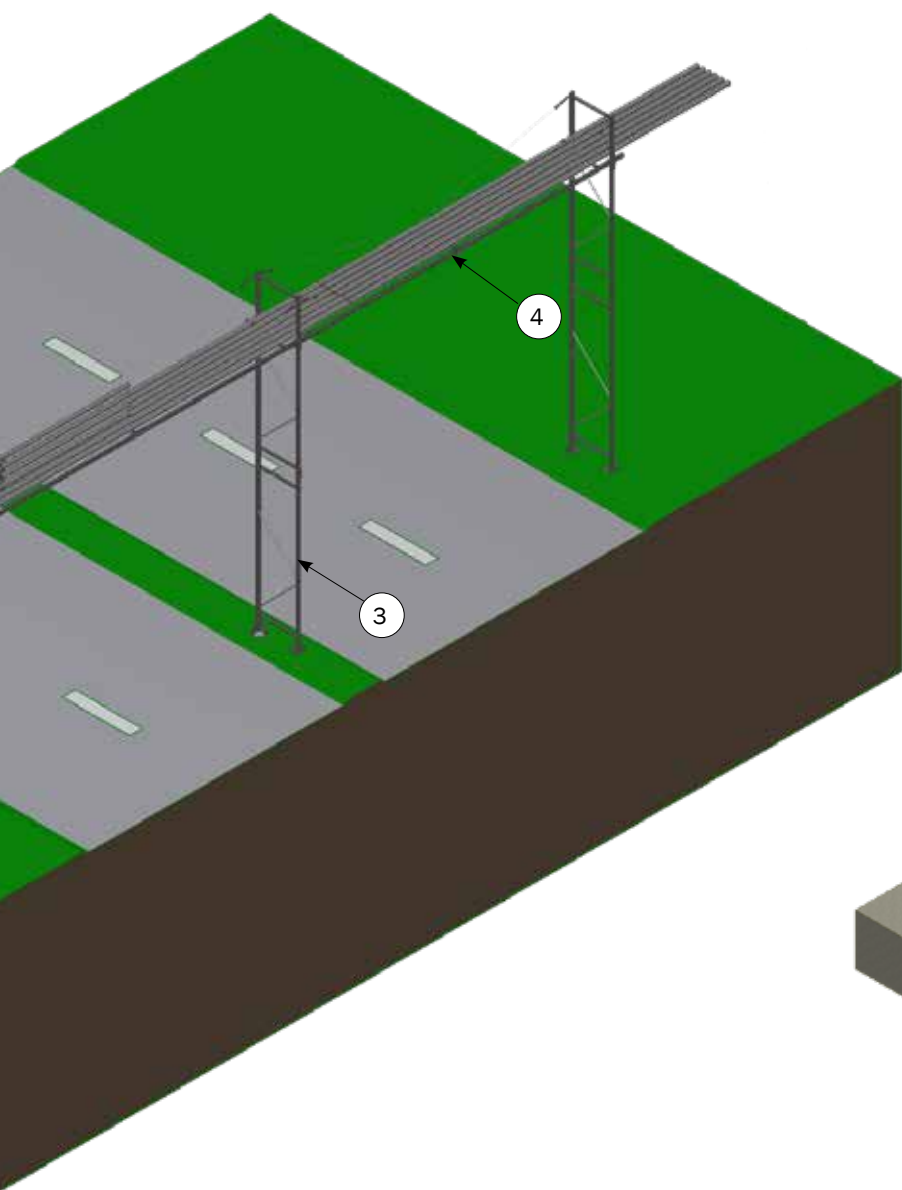
ACO FUNKI A/S
Kirkevænget 5
DK-7400 Herning

Tel. +45 9711 9600
www.acofunki.com
www.egebjerg.com

Overview

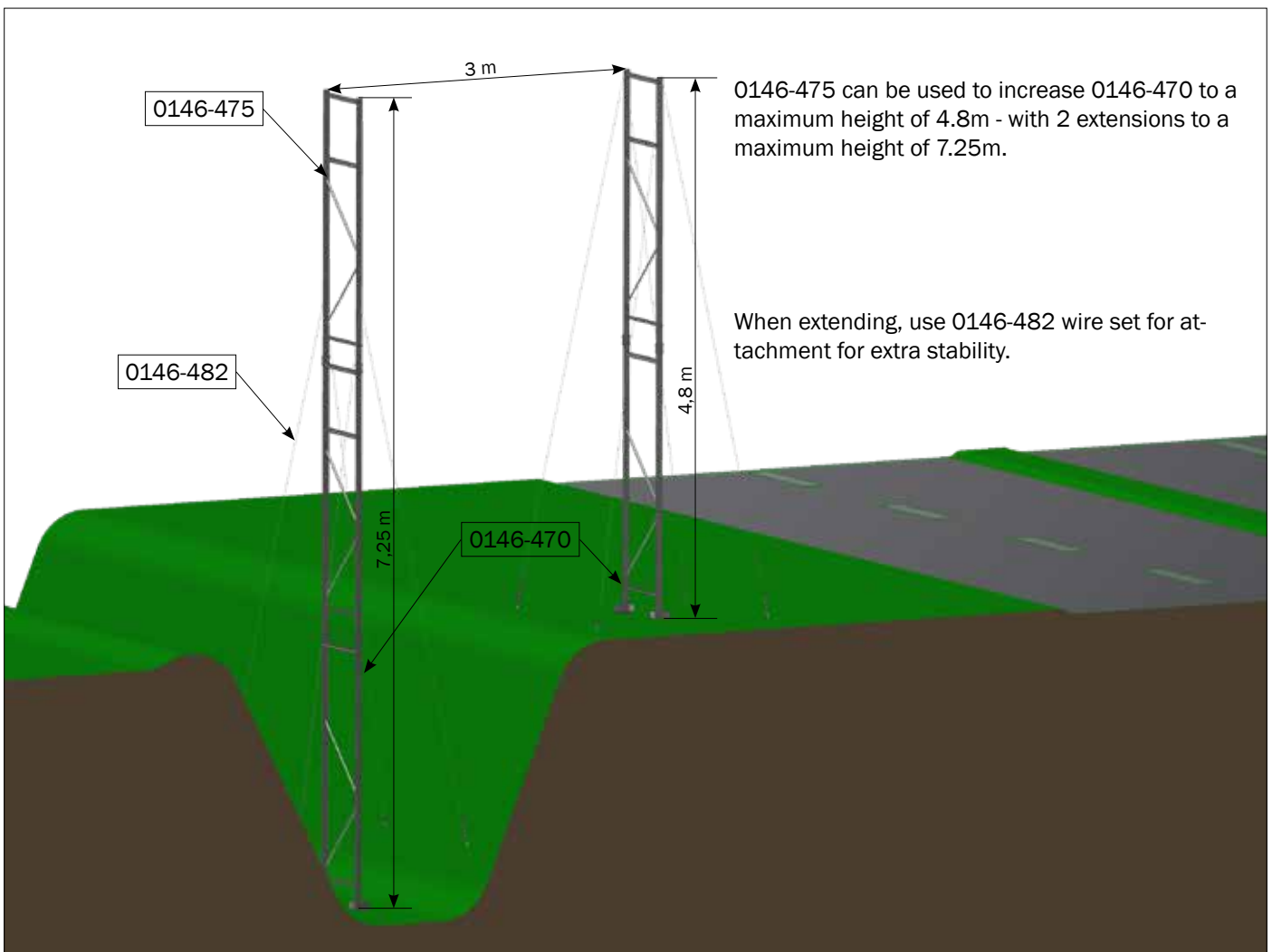
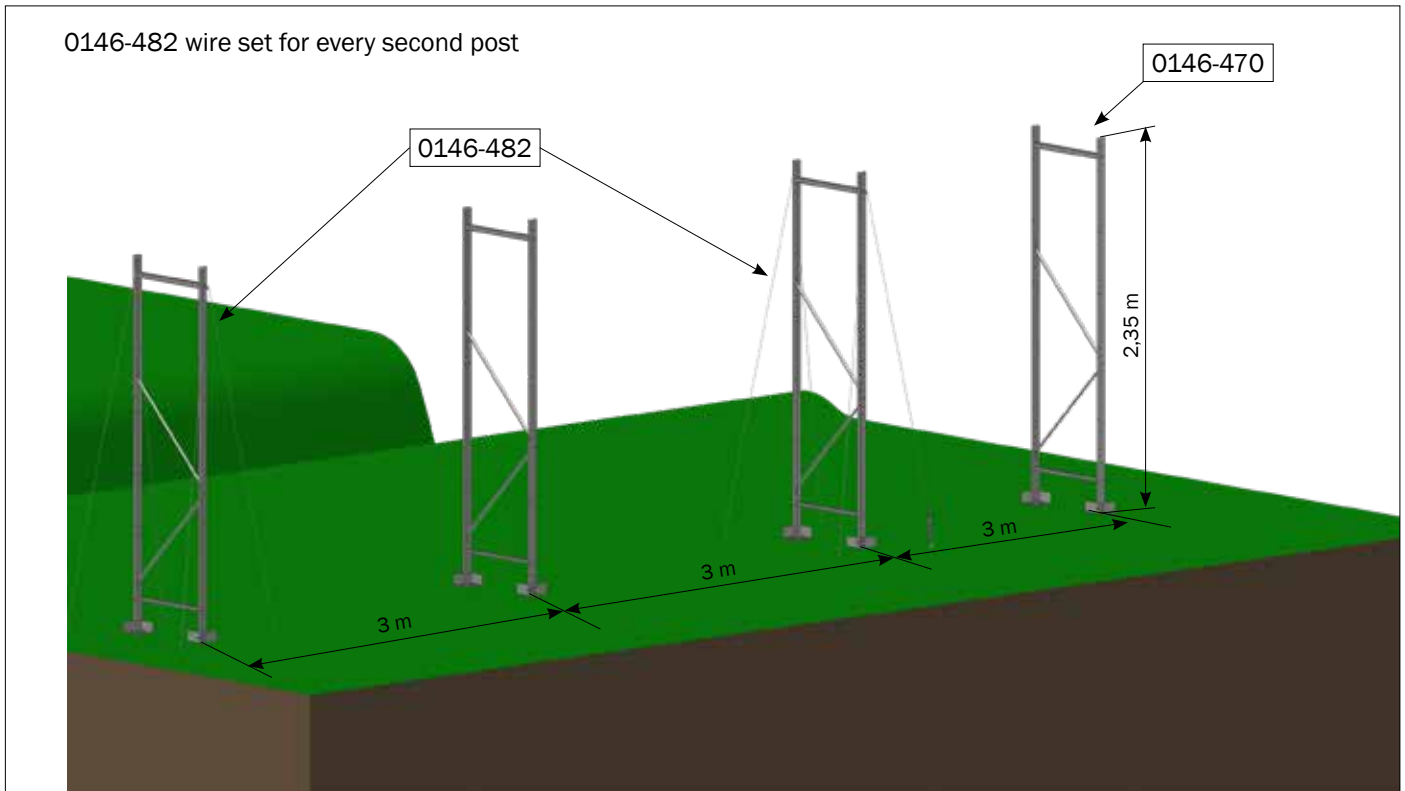


Overview

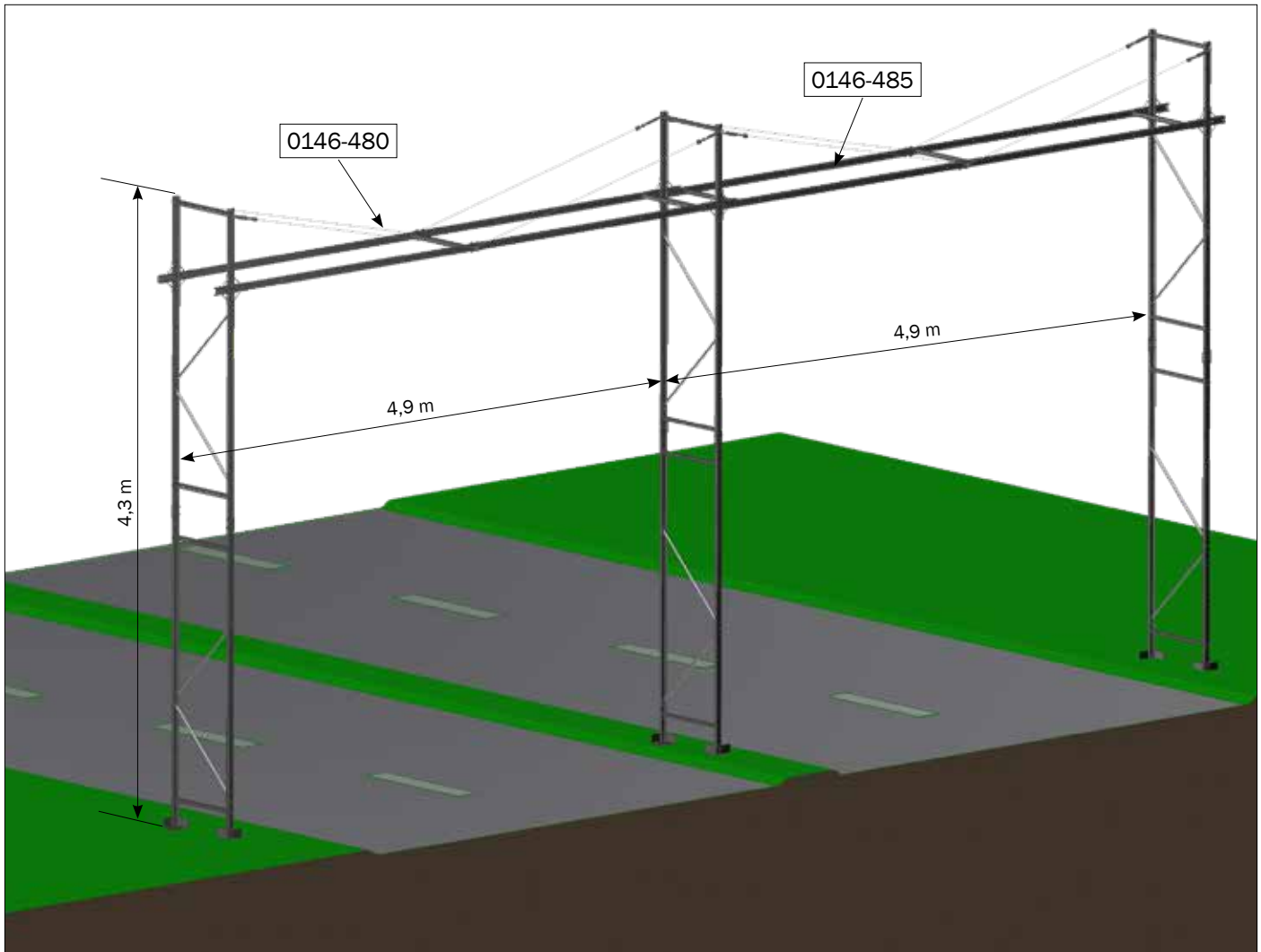


SUPPORT SYSTEM FOR FEEDING		
	Part NO.	Description
1	0146-470	FEED SUPPORT BOTTOM FOUNDATION SET
2	0146-475	FEED SUPPORT SYSTEM EXTENDER SET - VERTICALLY
3	0146-480	FEED SUPPORT SYSTEM HEIGHT 4.25 M LENGTH 5 METER
4	0146-485	FEED SUPPORT SYSTEM EXTENDER SET - HORIZONTALLY
5	0146-482	WIRE SET FOR FEED SUPPPORT SYSTEM

Overview

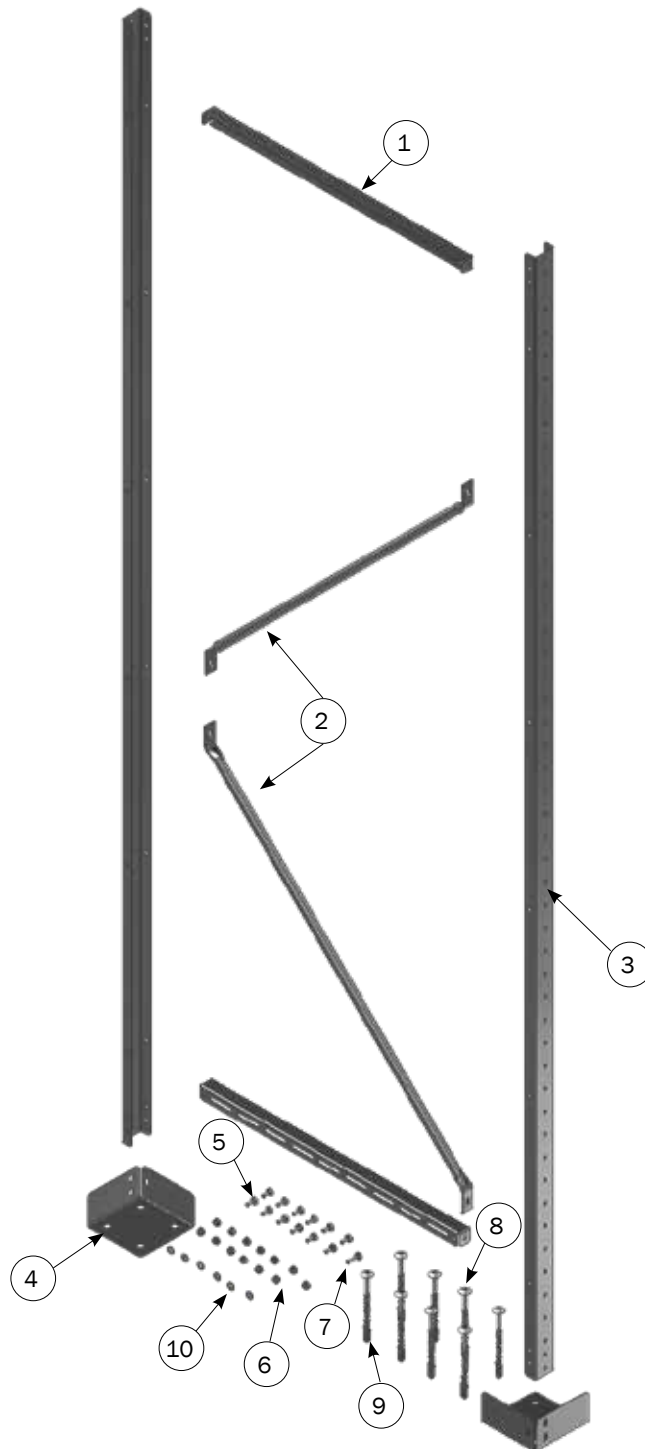


Overview



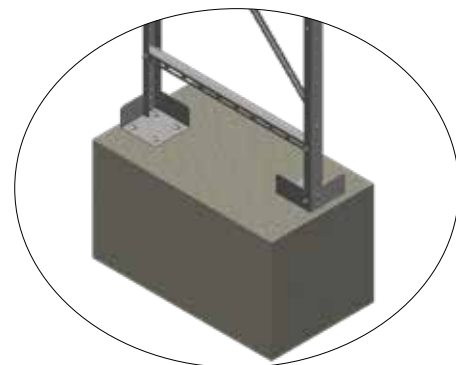
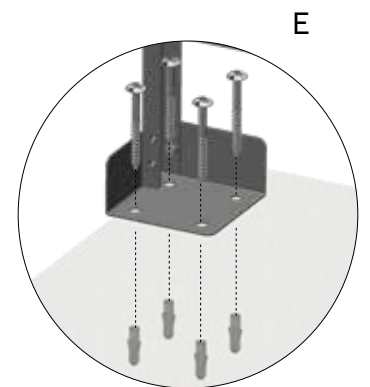
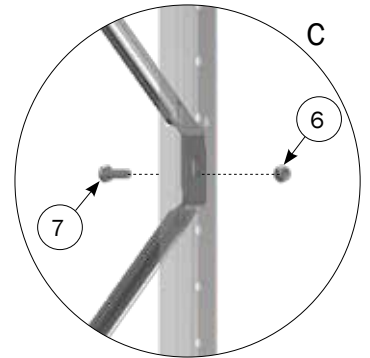
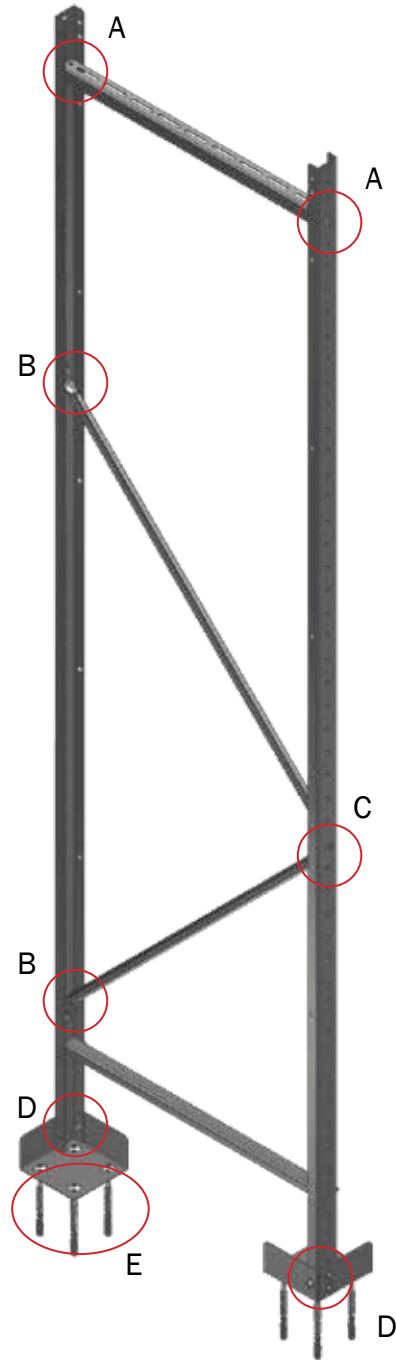
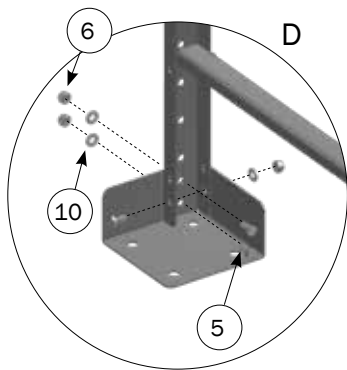
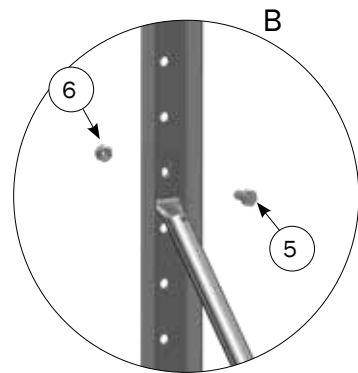
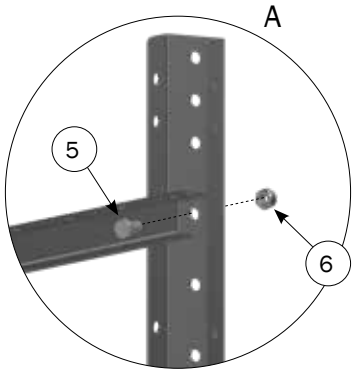
For lengths over 3 metres, use 0146-480, which has a maximum length of 4.9m. This part can then be extended with 0146-485 so that there are 2x4.9m with 3 supports. These models provide a clearance of 4.3m and can be increased with 0146-475.

Feeding tube support



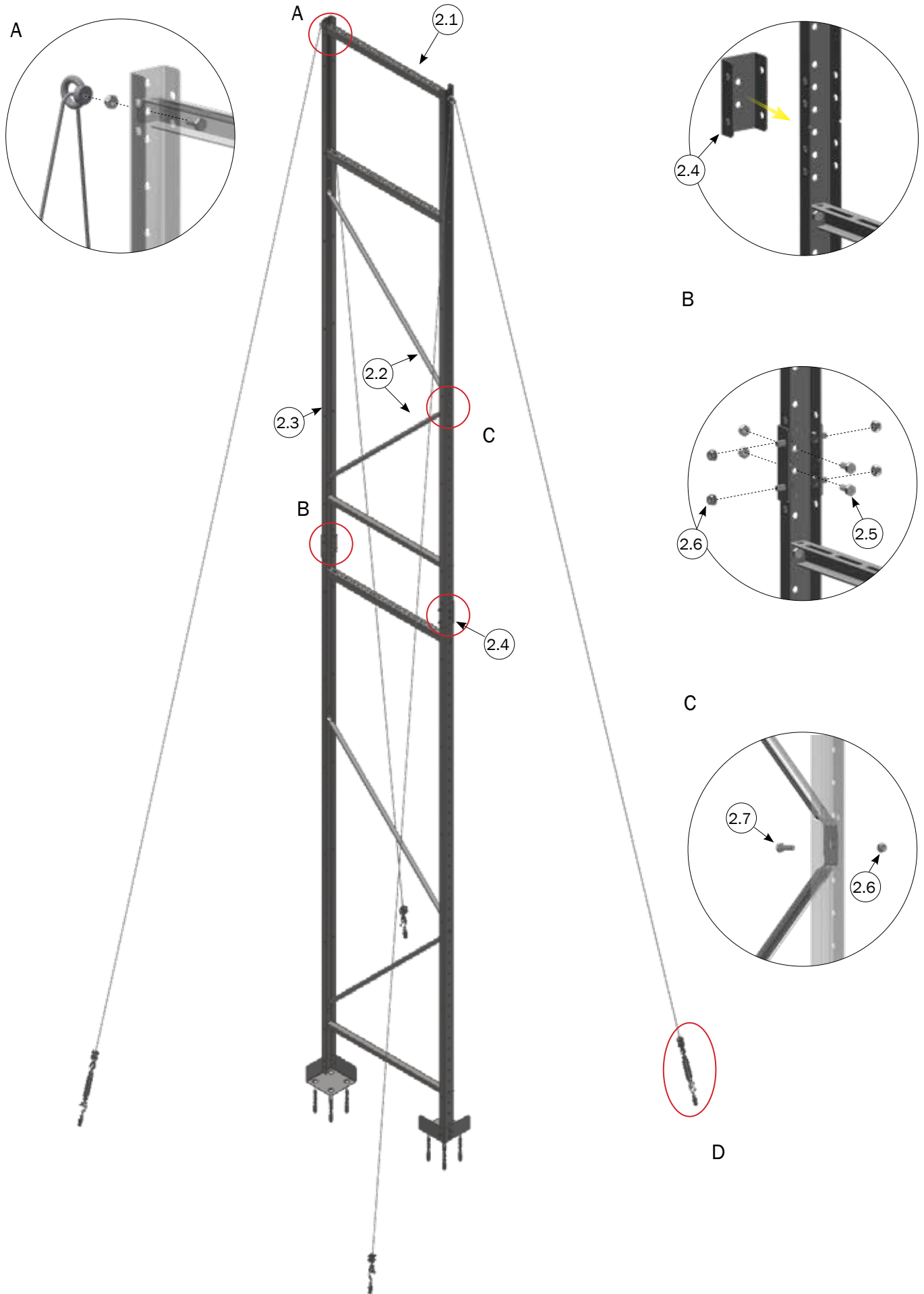
Feeding tube support			
	Part NO.	Description	Pcs.
	0146-470	FEED SUPPORT BOTTOM FOUNDATION SET	
1	0146-476	BRACKET FOR FEED SUPPORT SYSTEM	2
2	0146-477	PIPE REINFORCEMENT FOR FEED SUPPORT SYSTEM	2
3	0146-471	U PROFILE LENGTH = 2450 MM	2
4	0146-473	FOOT PLATE FOR FEED SUPPORT SYSTEM	2
5	30308016	SET SCREW M8X16 A2 DIN 933	12
6	33908001	LOCK NUT M8 A2 DIN 985 WAXED	13
7	30308025	SET SCREW M8X25 A2 DIN 933	1
8	67444	10 X 70 BUTTON HEAD TORX 50 STAINLESS STEEL	8
9	39900001	DYBEL 12X60 MM	8
10	35600037	FLAT WASHER Ø8.4X16X1.6 MM A2 DIN 125A	6

Montering af foderrørs understøtning

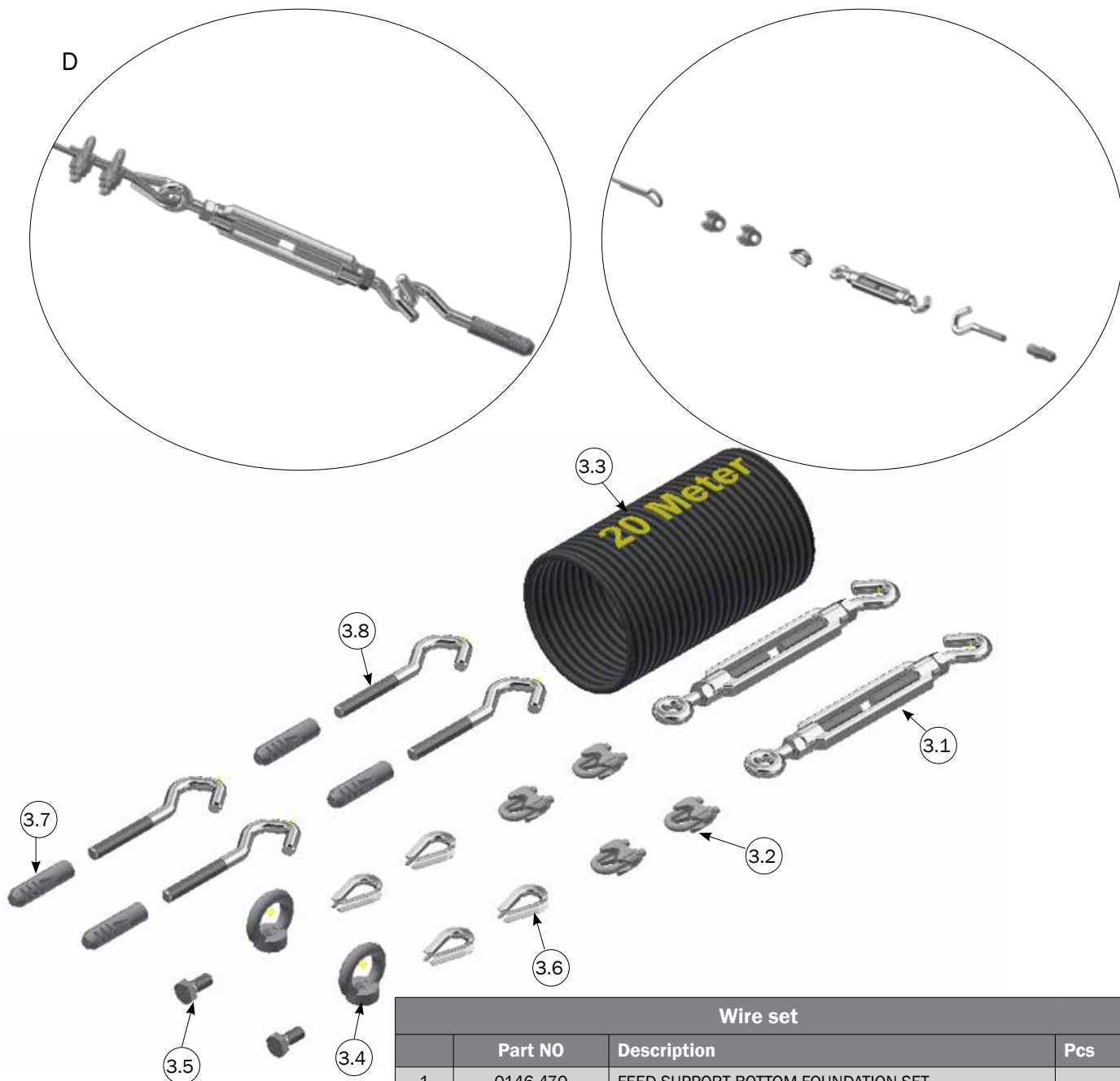


0146-470 is for fixing in concrete.

Feeding tube support

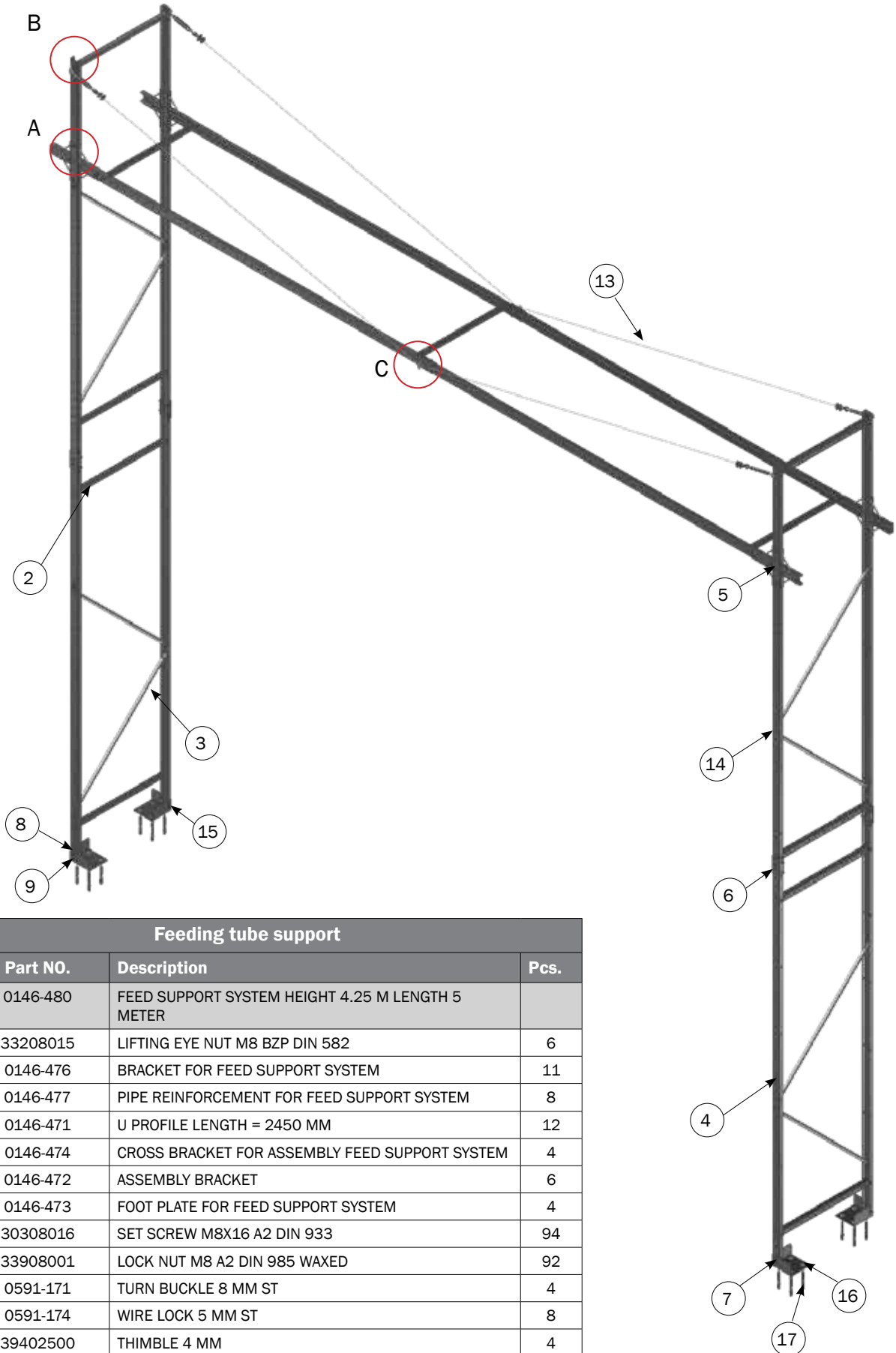


Wire set



Wire set			
	Part NO	Description	Pcs
1	0146-470	FEED SUPPORT BOTTOM FOUNDATION SET	
2	0146-475	FEED SUPPORT SYSTEM EXTENDER SET - VERTICALLY	
2.1	0146-476	BRACKET FOR FEED SUPPORT SYSTEM	3
2.2	0146-477	PIPE REINFORCEMENT FOR FEED SUPPORT SYSTEM	2
2.3	0146-471	U PROFILE LENGTH = 2450 MM	2
2.4	0146-472	ASSEMBLY BRACKET	2
2.5	30308016	SET SCREW M8X16 A2 DIN 933	20
2.6	33908001	LOCK NUT M8 A2 DIN 985 WAXED	21
2.7	30308025	SET SCREW M8X25 A2 DIN 933	1
3	0146-482	WIRE SET FOR FEED SUPPPORT SYSTEM	
3.1	0591-171	TURN BUCKLE 8 MM ST	2
3.2	0591-174	WIRE LOCK 5 MM ST	8
3.3	92536	WIRE 4 MM 7 X 19 SS	20M
3.4	33208015	LIFTING EYE NUT M8 BZP DIN 582	2
3.5	30308016	SET SCREW M8X16 A2 DIN 933	2
3.6	39402500	THIMBLE 4 MM	4
3.7	39900001	WALL PLUG 12X60 MM	4
3.8	39900180	HOOK M8 X 110 MM A2	4

Foder support system height 4.25 m., length 5 m.

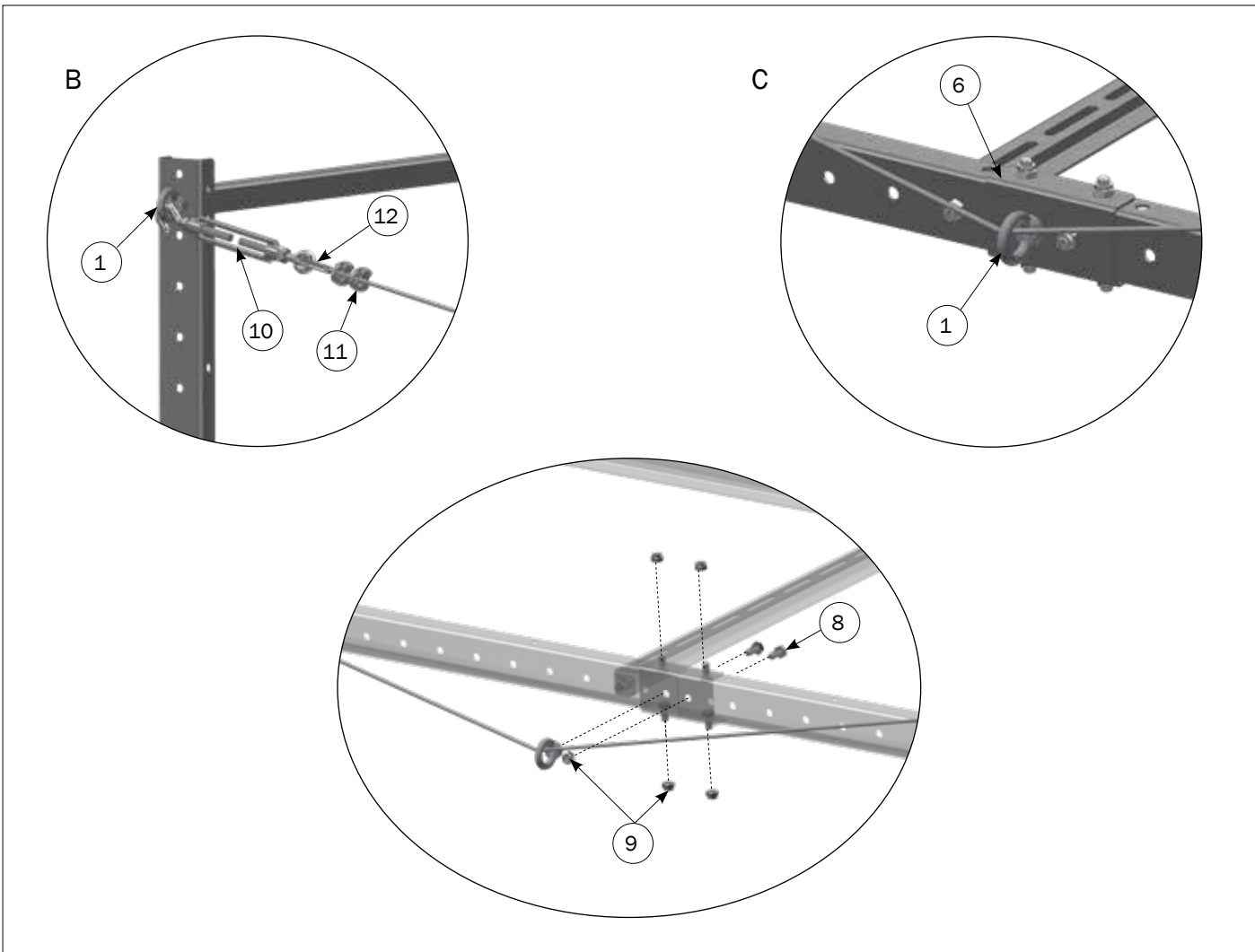
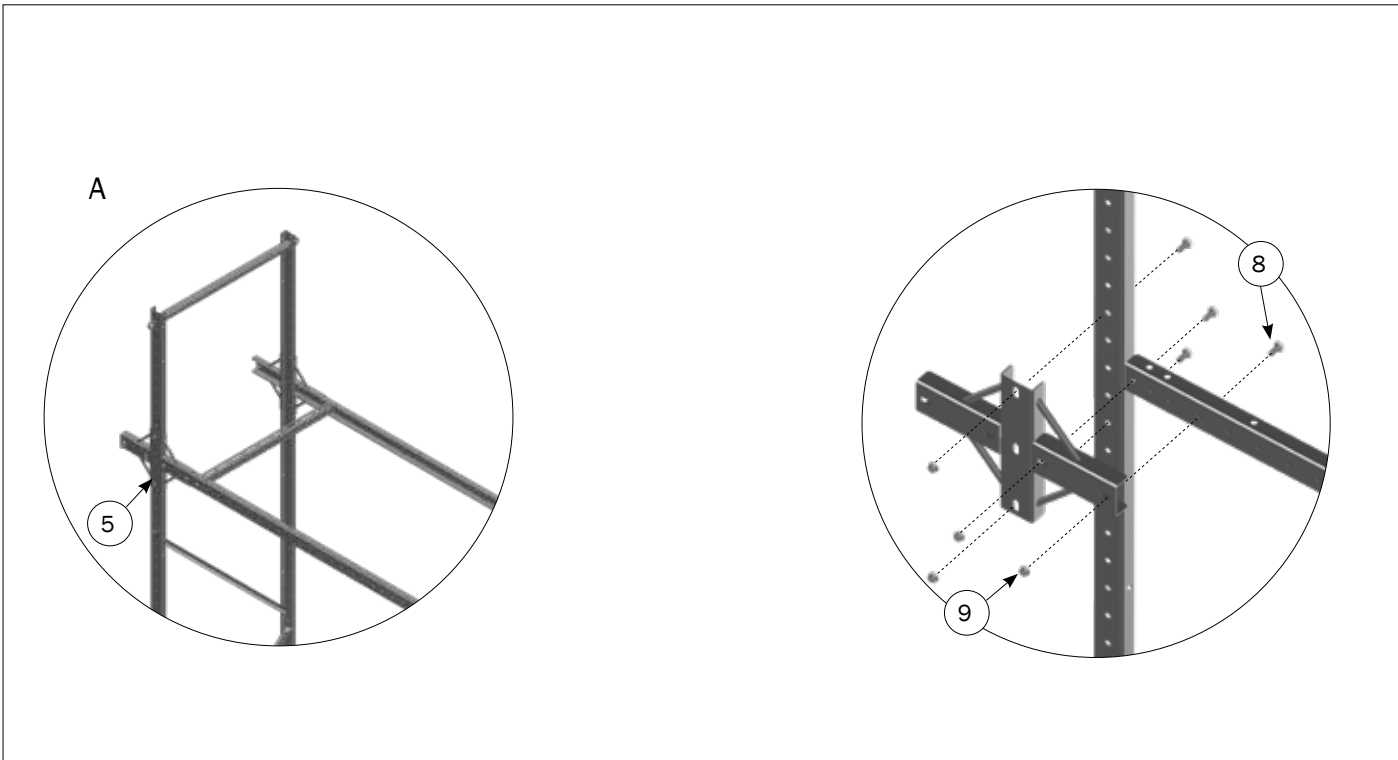


Feeding tube support

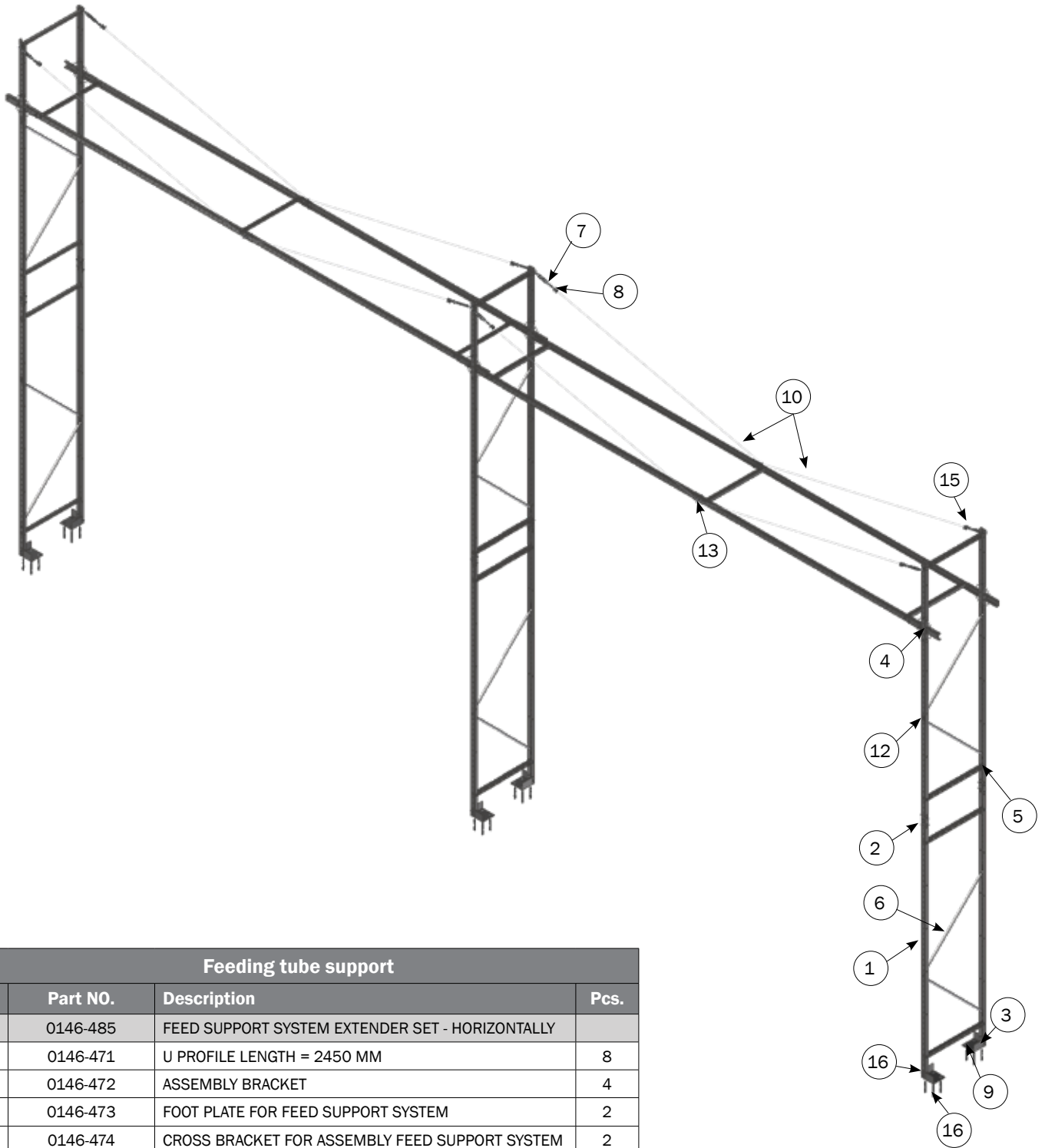
	Part NO.	Description	Pcs.
	0146-480	FEED SUPPORT SYSTEM HEIGHT 4.25 M LENGTH 5 METER	
1	33208015	LIFTING EYE NUT M8 BZP DIN 582	6
2	0146-476	BRACKET FOR FEED SUPPORT SYSTEM	11
3	0146-477	PIPE REINFORCEMENT FOR FEED SUPPORT SYSTEM	8
4	0146-471	U PROFILE LENGTH = 2450 MM	12
5	0146-474	CROSS BRACKET FOR ASSEMBLY FEED SUPPORT SYSTEM	4
6	0146-472	ASSEMBLY BRACKET	6
7	0146-473	FOOT PLATE FOR FEED SUPPORT SYSTEM	4
8	30308016	SET SCREW M8X16 A2 DIN 933	94
9	33908001	LOCK NUT M8 A2 DIN 985 WAXED	92
10	0591-171	TURN BUCKLE 8 MM ST	4
11	0591-174	WIRE LOCK 5 MM ST	8
12	39402500	THIMBLE 4 MM	4
13	92536	WIRE 4 MM 7 X 19 SS	20M
14	30308025	SET SCREW M8X25 A2 DIN 933	4
15	35600037	FLAT WASHER Ø8.4X16X1.6 MM A2 DIN 125A	12
16	67444	10 X 70 BUTTON HEAD TORX 50 STAINLESS STEEL	16
17	39900001	WALL PLUG 12X60 MM	16

M-1052_GB

Installation of feed pipe support



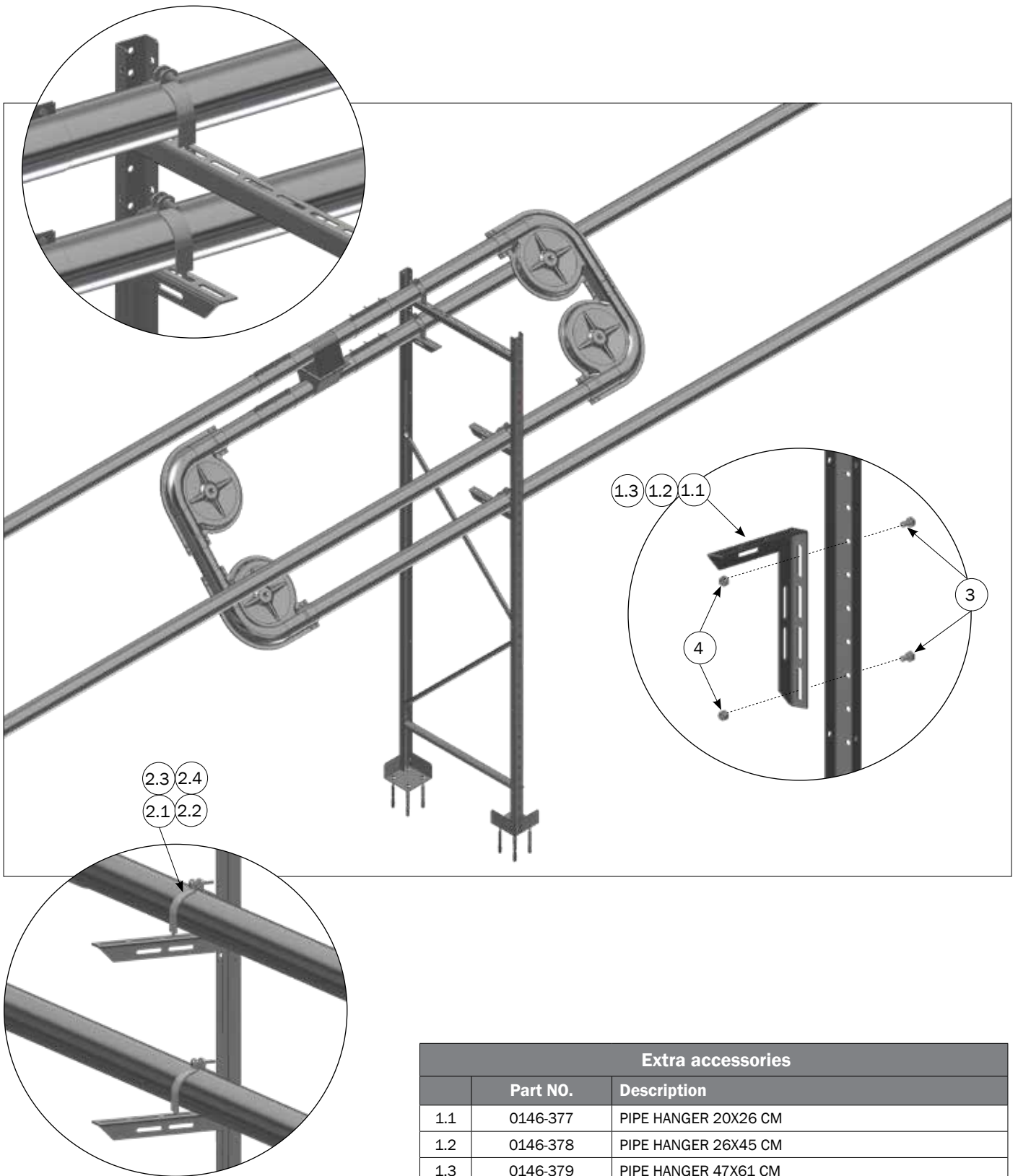
Foder support system extension set - horizontal



Feeding tube support			
	Part NO.	Description	Pcs.
	0146-485	FEED SUPPORT SYSTEM EXTENDER SET - HORIZONTALLY	
1	0146-471	U PROFILE LENGTH = 2450 MM	8
2	0146-472	ASSEMBLY BRACKET	4
3	0146-473	FOOT PLATE FOR FEED SUPPORT SYSTEM	2
4	0146-474	CROSS BRACKET FOR ASSEMBLY FEED SUPPORT SYSTEM	2
5	0146-476	BRACKET FOR FEED SUPPORT SYSTEM	7
6	0146-477	PIPE REINFORCEMENT FOR FEED SUPPORT SYSTEM	4
7	0591-171	TURN BUCKLE 8 MM ST	4
8	0591-174	WIRE LOCK 5 MM ST	8
9	67444	10 X 70 BUTTON HEAD TORX 50 STAINLESS STEEL	8
10	92536	WIRE 4 MM 7 X 19 SS	20m
11	30308016	SET SCREW M8X16 A2 DIN 933	60
12	30308025	SET SCREW M8X25 A2 DIN 933	2
13	33208015	LIFTING EYE NUT M8 BZP DIN 582	4
14	33908001	LOCK NUT M8 A2 DIN 985 WAXED	58
15	39402500	THIMBLE 4 MM	4
16	39900001	WALL PLUG 12X60 MM	8
17	35600037	FLAT WASHER Ø8.4X16X1.6 MM A2 DIN 125A	6

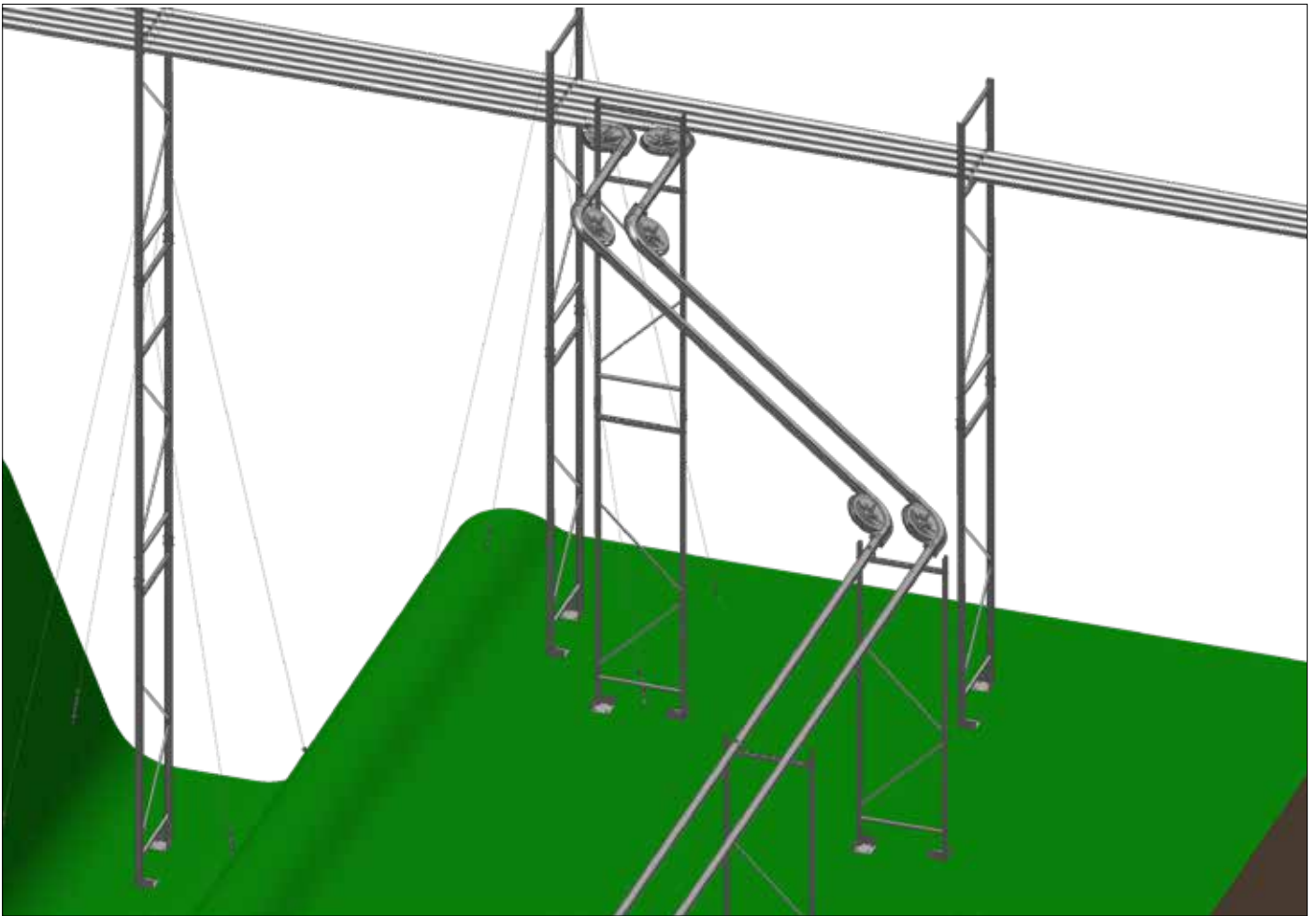
M-1052_GB

Extra accessories



Extra accessories		
	Part NO.	Description
1.1	0146-377	PIPE HANGER 20X26 CM
1.2	0146-378	PIPE HANGER 26X45 CM
1.3	0146-379	PIPE HANGER 47X61 CM
2.1	0170-507	PIPE FITTING KIT FOR Ø76
2.2	39900105	CLAMPS SET Ø76
2.3	0146-317	PIPE FITTING KIT FOR Ø60
2.4	39900103	CLAMP SET Ø60
3	30308016	SET SCREW M8X16 A2 DIN 933
4	33908001	LOCK NUT M8 A2 DIN 985 WAXED

Overview



When installing pipe hanger, feed pipes can be placed in different directions and at different heights.

