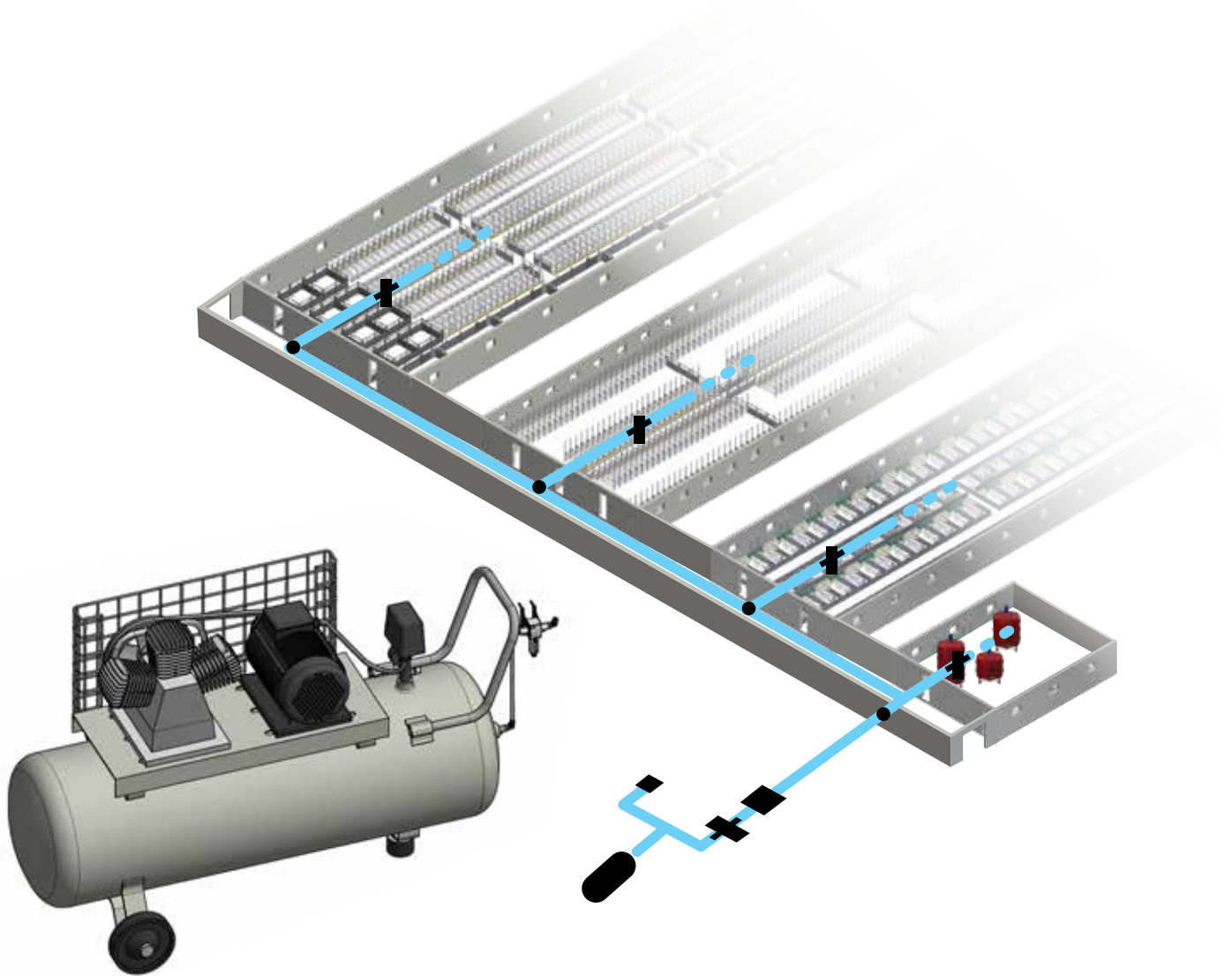


MOUNTING INSTRUCTION



AIR INSTALLATION FOR DRY- AND WET FEEDING

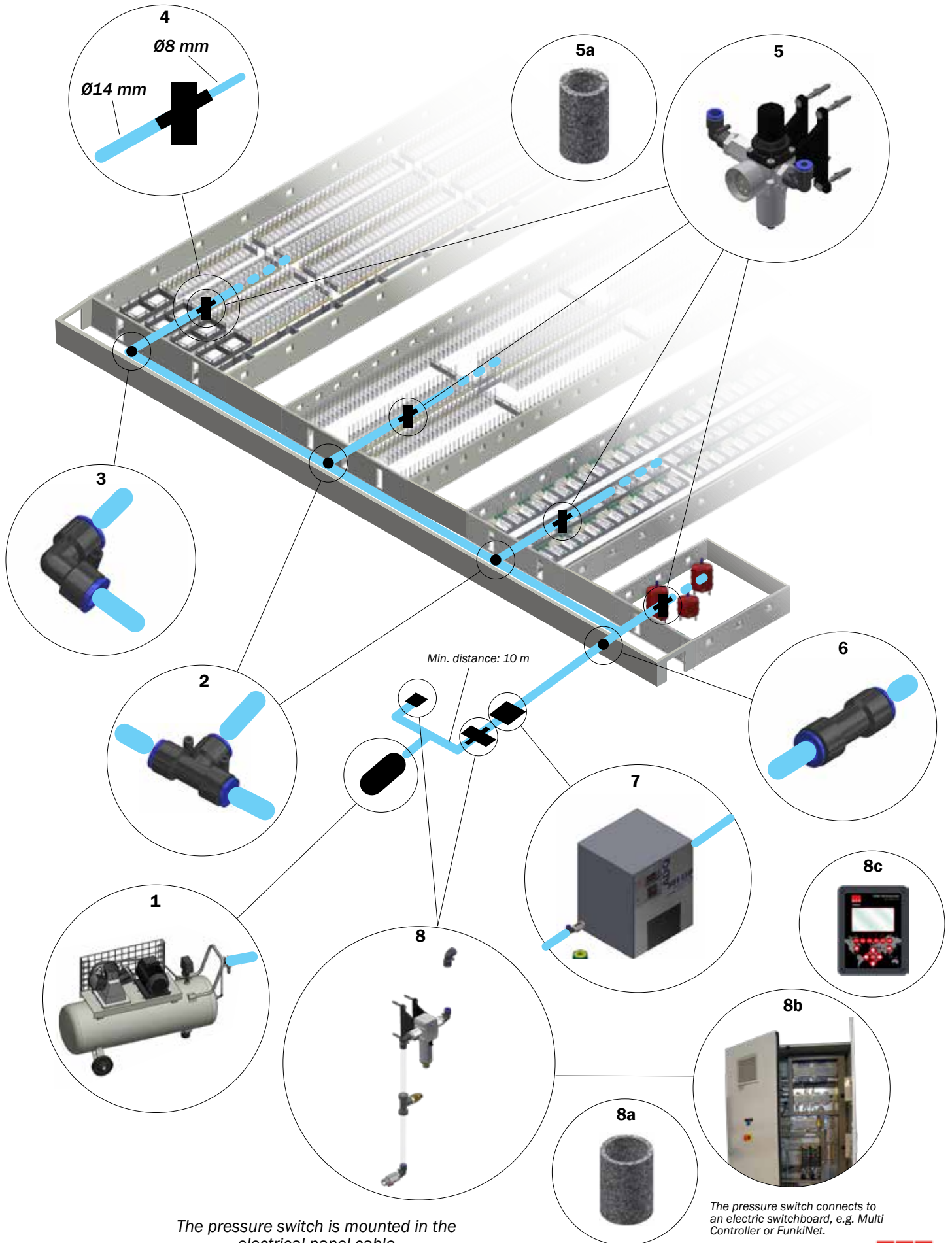


ACO FUNKI A/S
Kirkevænget 5
DK-7400 Herning

Tel. +45 9711 9600
Fax +45 9711 9677
www.acofunki.com

DANISH DESIGN | GERMAN QUALITY | GLOBAL EXPERIENCE

Air installation - overview



Air installation

BILL OF MATERIALS		
REF. NO.	ITEM NO.	DESCRIPTION
1	12400108	Compressor 450/90 3X400 V Incl. filter and auto drain
	/ 0320-060	/ Compressor 450/90 3X230 V Norway filter and auto drain
2	12100401	Air push-in fittings, Tee Ø14-Ø14-Ø14
3	12100400	Air push-in fittings, Angle Ø14-Ø14
4	20200011	Air hose Ø14 mm, neutral (10 Bar)
	20200001	Nylon hose Ø8/6 mm - white
5	0300-360	Airregulator for sections
5a	12400160	Air filter insert for 12400155
6	12100404	Air push-in fittings Ø14-Ø14 straight connect
7	0300-340	Refrigeration dryer 230V incl. Ø14 fitting
8	0300-350	Compressor kit incl. filter and pressure switch
8a	12400159	Air filter insert for 1200154
8b	-	Electric switchboard
8c	0170-700	Funki Multi Controller

NOTE:

- The filter inserts (12400160 og 12400159) MUST be changed every 1 year, or earlier if needed.
- To lead the hose through a wall, a straight push-in fitting (12100404) is mounted on each side of the wall.
- Minimum distance from compressor to air filter is 10 m.
- The refrigeration dryer MUST be used when installing dry feeding systems.
- Remember to fasten the air hose with cable ties for every 20 cm.

Pos. 5

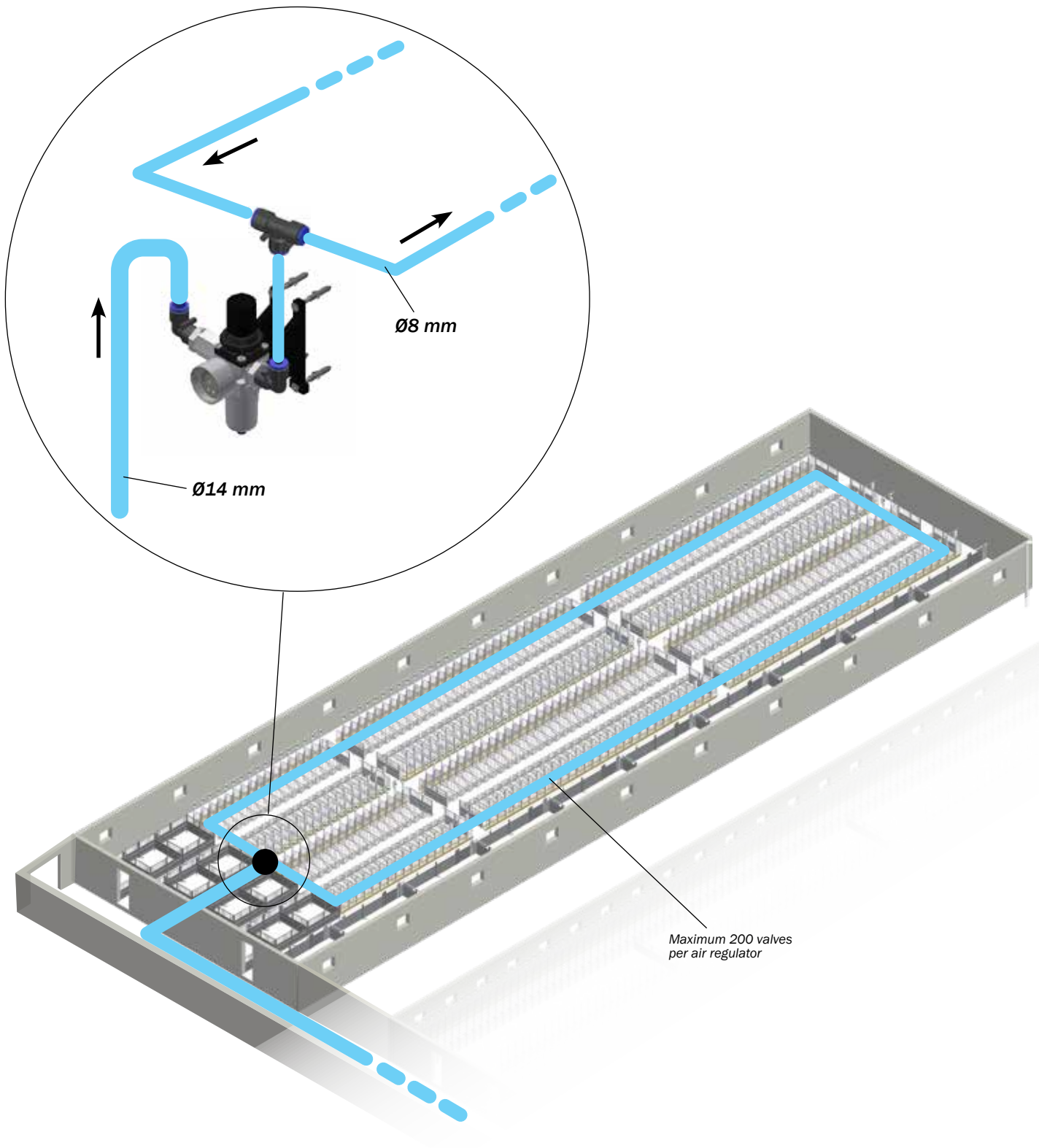
- 8 Bar at section / aperture
- 4-4.5 Bar for diaphragm valve

Master valve: open - pressure 6 Bar
close - pressure 3.5 Bar

Pos. 1

- 12400110 - Compressor filter after seen every two months / changed as needed
- 99400108 - Compressor oil after is seen twice a year / or as needed.
- 12400111 - Auto Drain check once a year.

Air installation



BILL OF MATERIALS	
ITEM NO.	DESCRIPTION
20200001	Nylon hose 8/6 - white
12100117	Tee CL 1540 8/6 - 8/6 - 8/6
12100206	Straight hose conn. CL 1580 8/6
762000023	Cable tie 290 x 4,5 mm, black