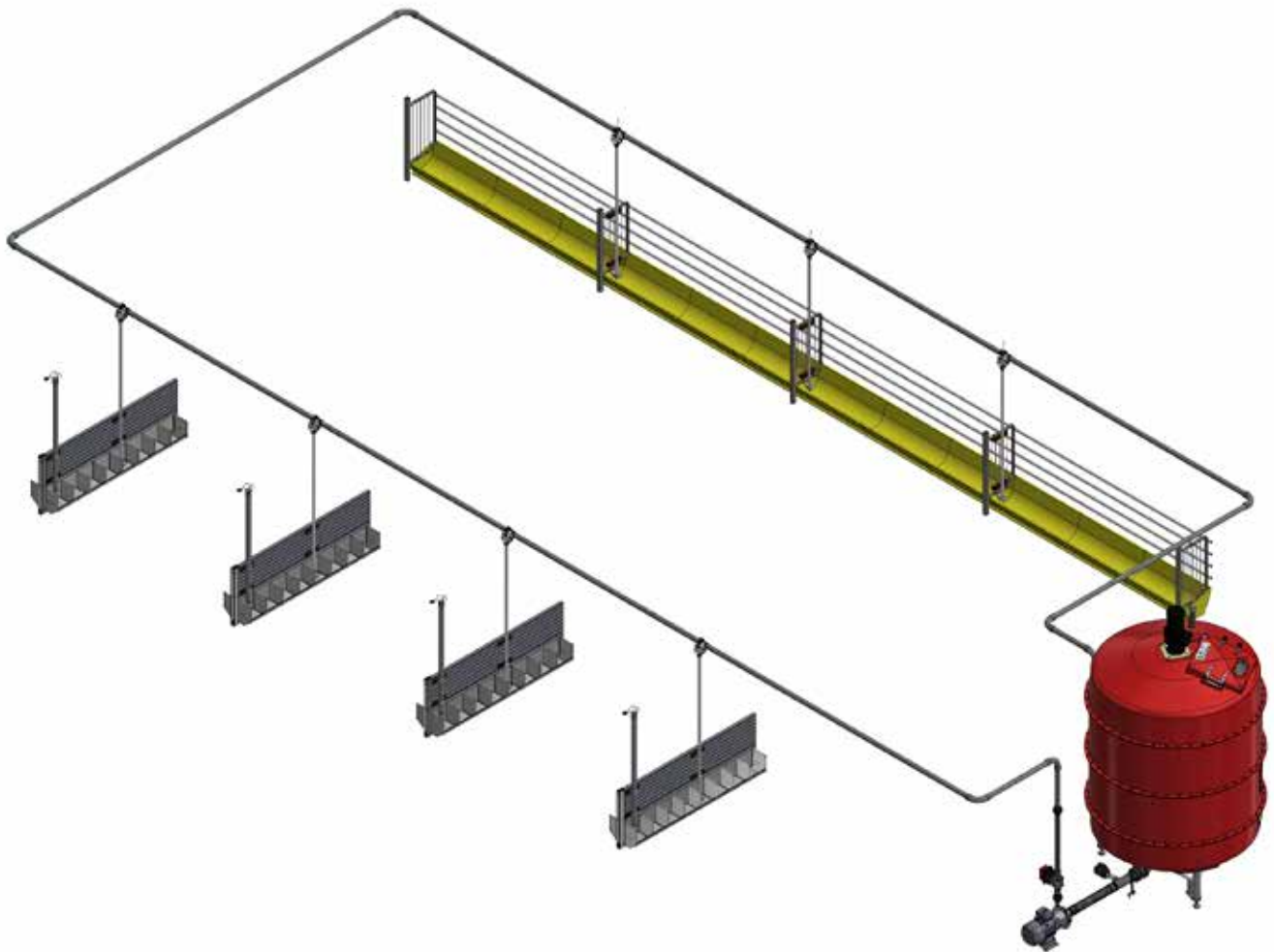


MOUNTING INSTRUCTION



LIQUID FEEDING SYSTEMS OVERVIEW AND RULES



ACO FUNKI A/S

Kirkevænget 5
DK-7400 Herning

Tel. +45 9711 9600

Fax +45 9711 9677

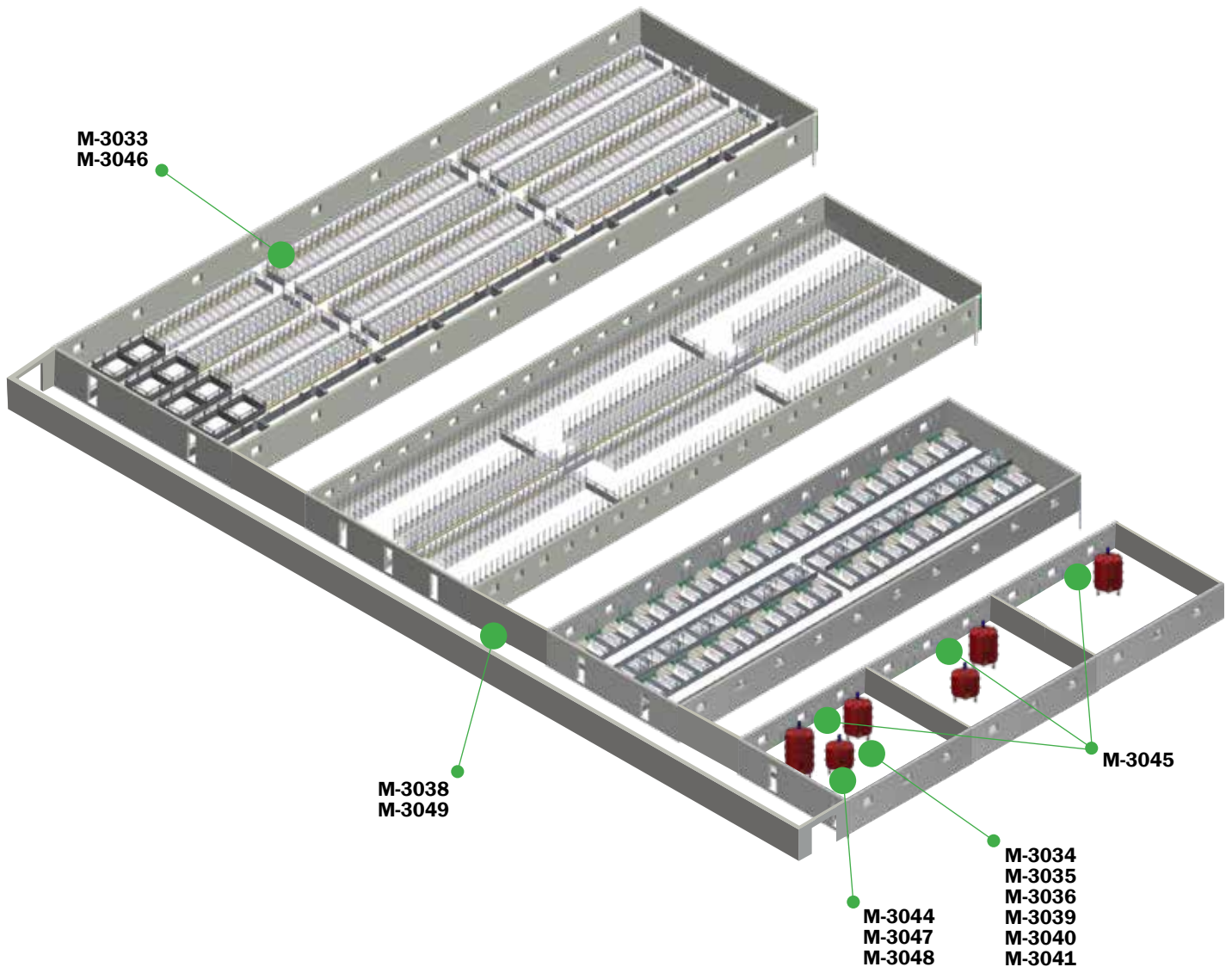
www.acofunki.com

DANISH DESIGN | GERMAN QUALITY | GLOBAL EXPERIENCE

INDEX

Overview of documents concerning liquid feeding systems	3
Rules for down pipes	4
Rules for supports	6
Down pipes for farrowing pen	8
Overview of circuit sets	9
Placing and marking of cables and junction box	10

OVERVIEW OF DOCUMENTS CONCERNING LIQUID FEEDING SYSTEMS



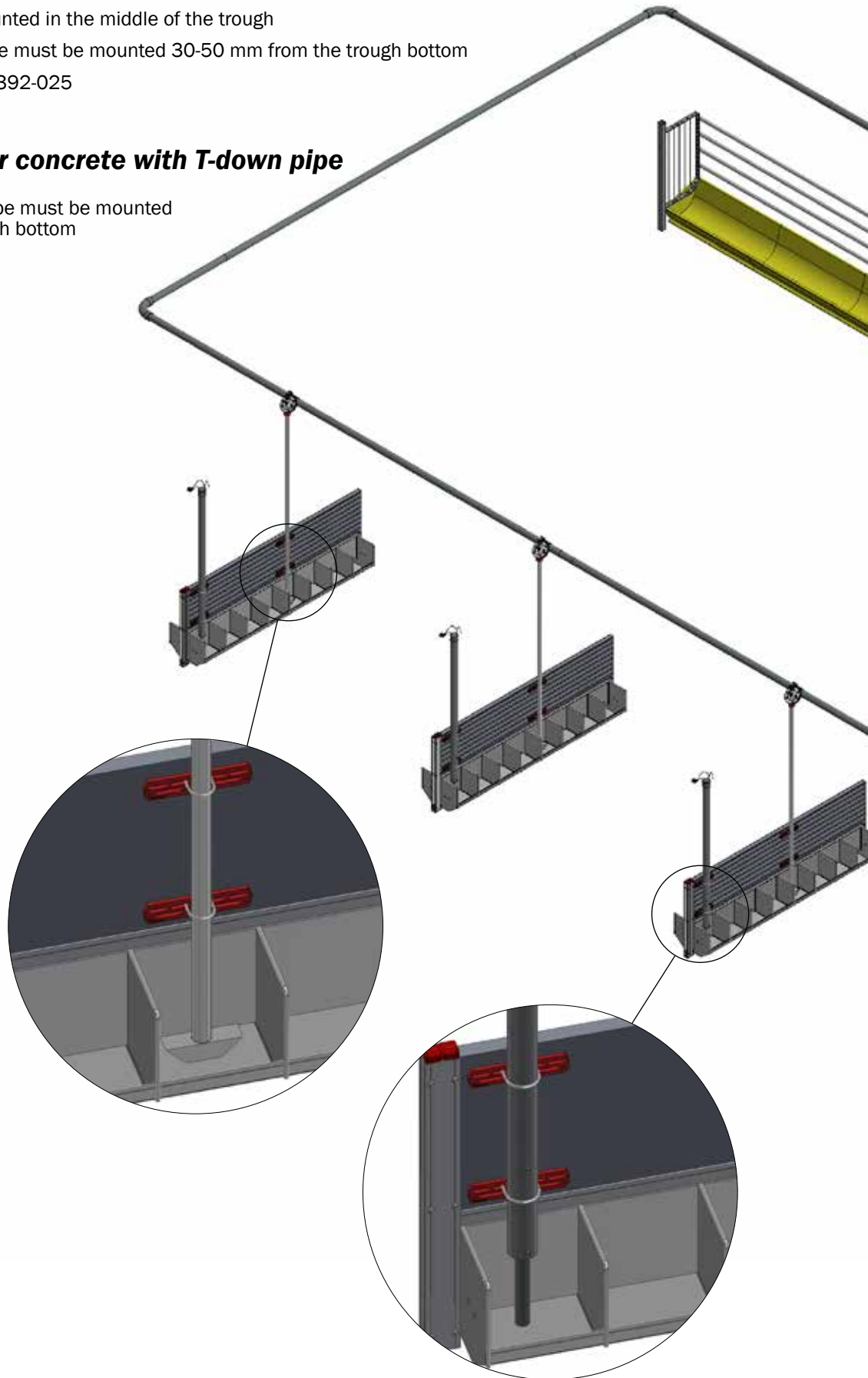
M-3050	Overview of liquid feeding
M-3033	Diaphragm valve for downpipe
M-3034	Liquid feeding mixing tank
M-3035	Liquid feeding residual tank
M-3036	Liquid feeding water tank
M-3038	Air installation overview
M-3039	Liquid feeding mixing tank, one-legged
M-3040	Liquid feeding residual tank, one-legged
M-3041	Liquid feeding water tank, one-legged
M-3042	Pump for liquid feeding
M-3043	Pumpe for water/whey
U-3044	Screw pump arrangement (incl. gear motor)
M-3045	Fittings for pump (1/2/3 tanks)
M-3046	Diaphragm valve (for AD-LIB feeding)
M-3047	Safety valve
M-3048	Stone trap
M-3049	Circuit sets
M-3051	Funki acid pump

Bioline with T-down pipe and trough sensor

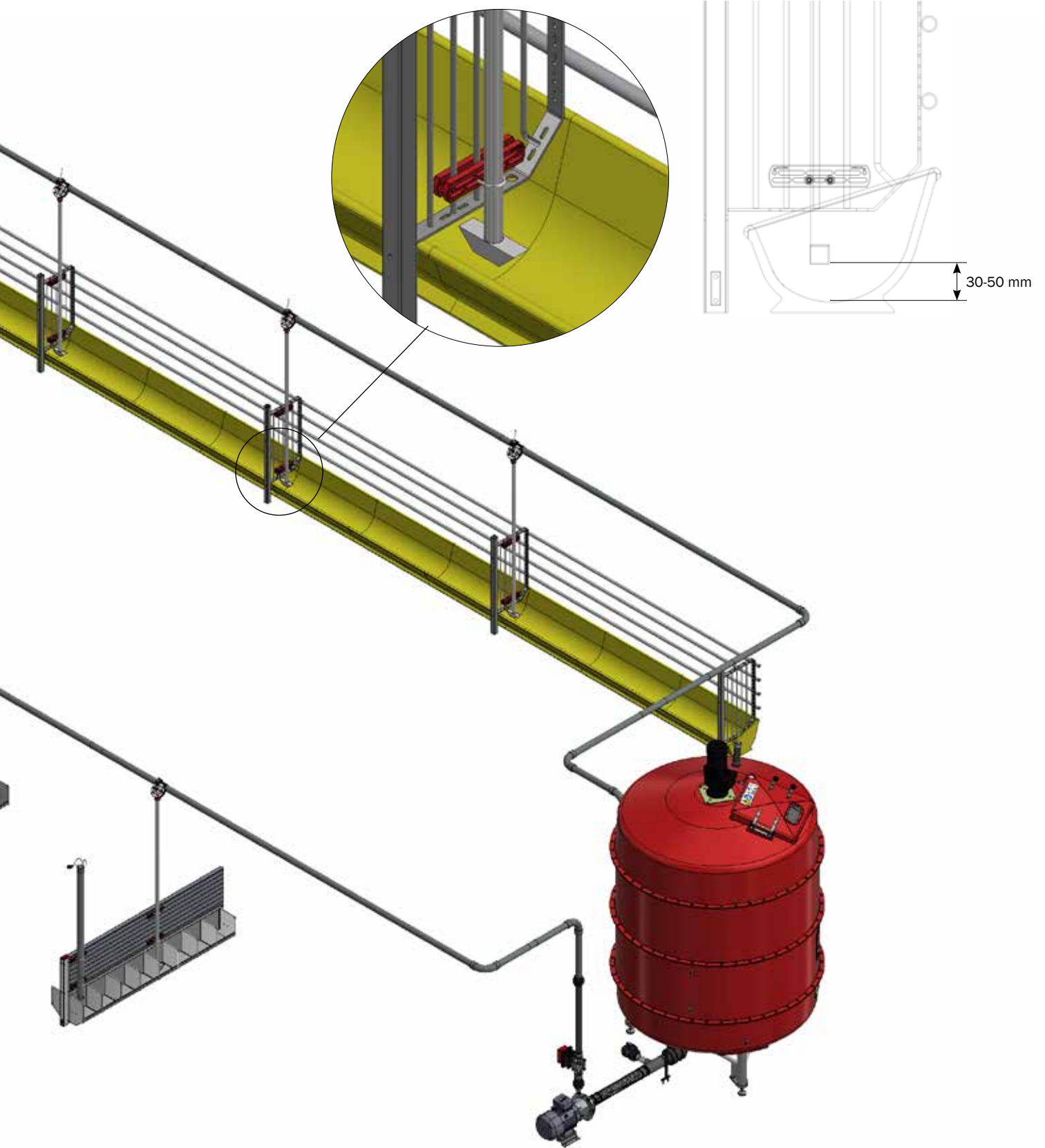
- T-down pipe must be mounted in the middle of the trough
- The outlet of the down pipe must be mounted 30-50 mm from the trough bottom
- Set with trough sensor: 0392-025

Long trough in polymer concrete with T-down pipe

- The outlet of the down pipe must be mounted 30-50 mm from the trough bottom



RULES FOR DOWN PIPES

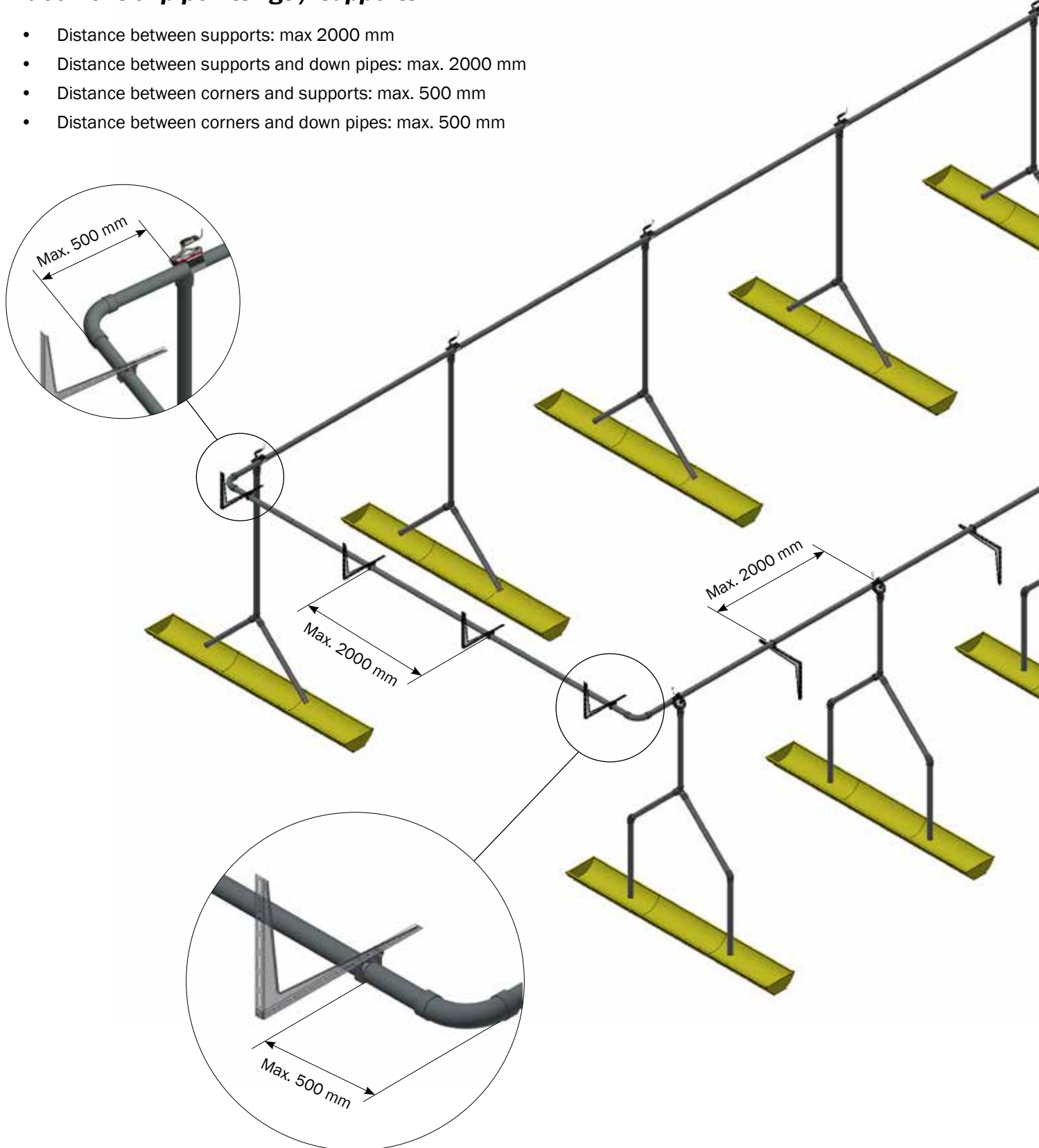


Polymer concrete trough with oblique or straight down pipe

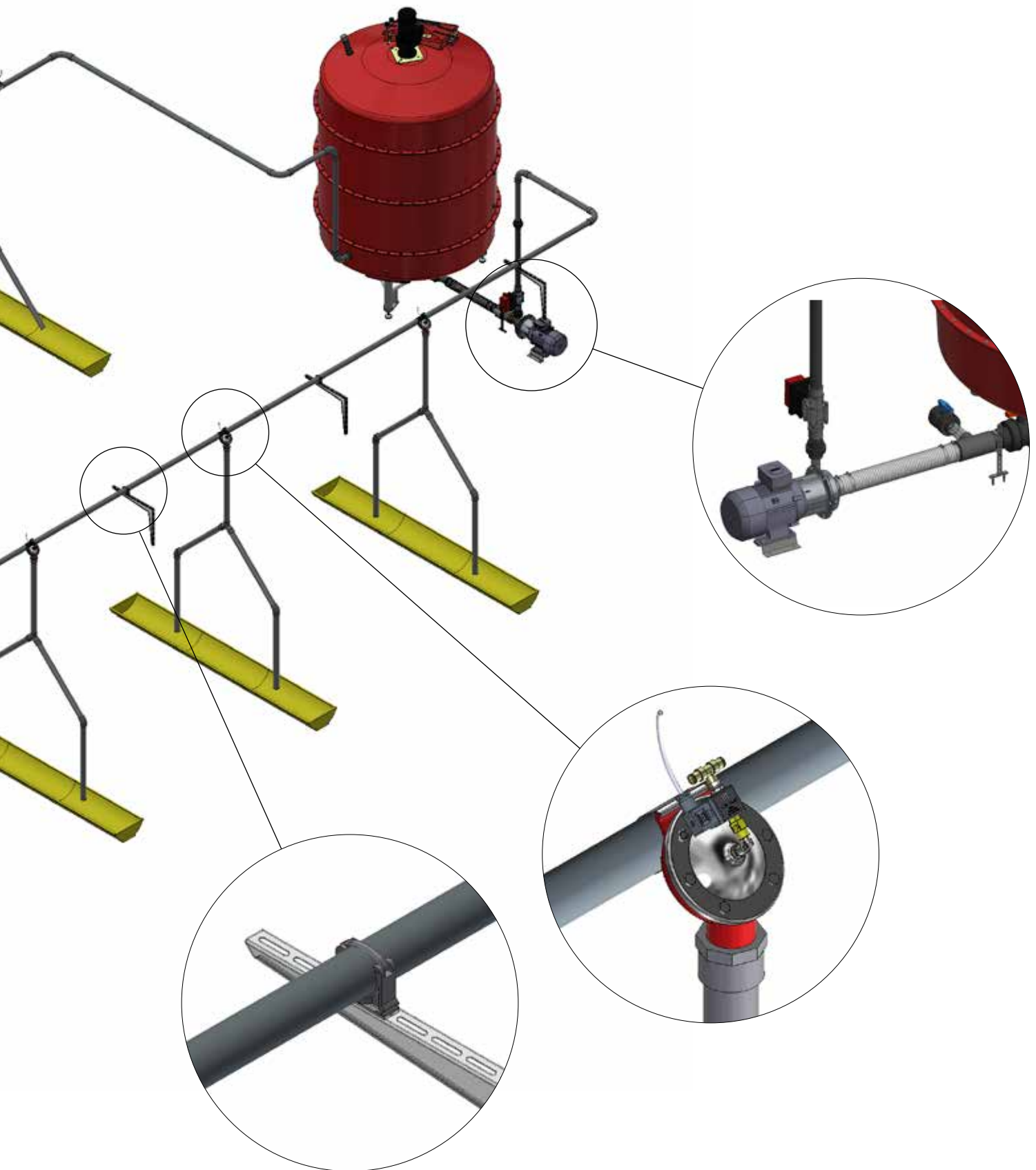
- The outlet of the down pipe must be mounted 30-50 mm from the trough bottom

Placement of pipe fittings / supports

- Distance between supports: max 2000 mm
- Distance between supports and down pipes: max. 2000 mm
- Distance between corners and supports: max. 500 mm
- Distance between corners and down pipes: max. 500 mm

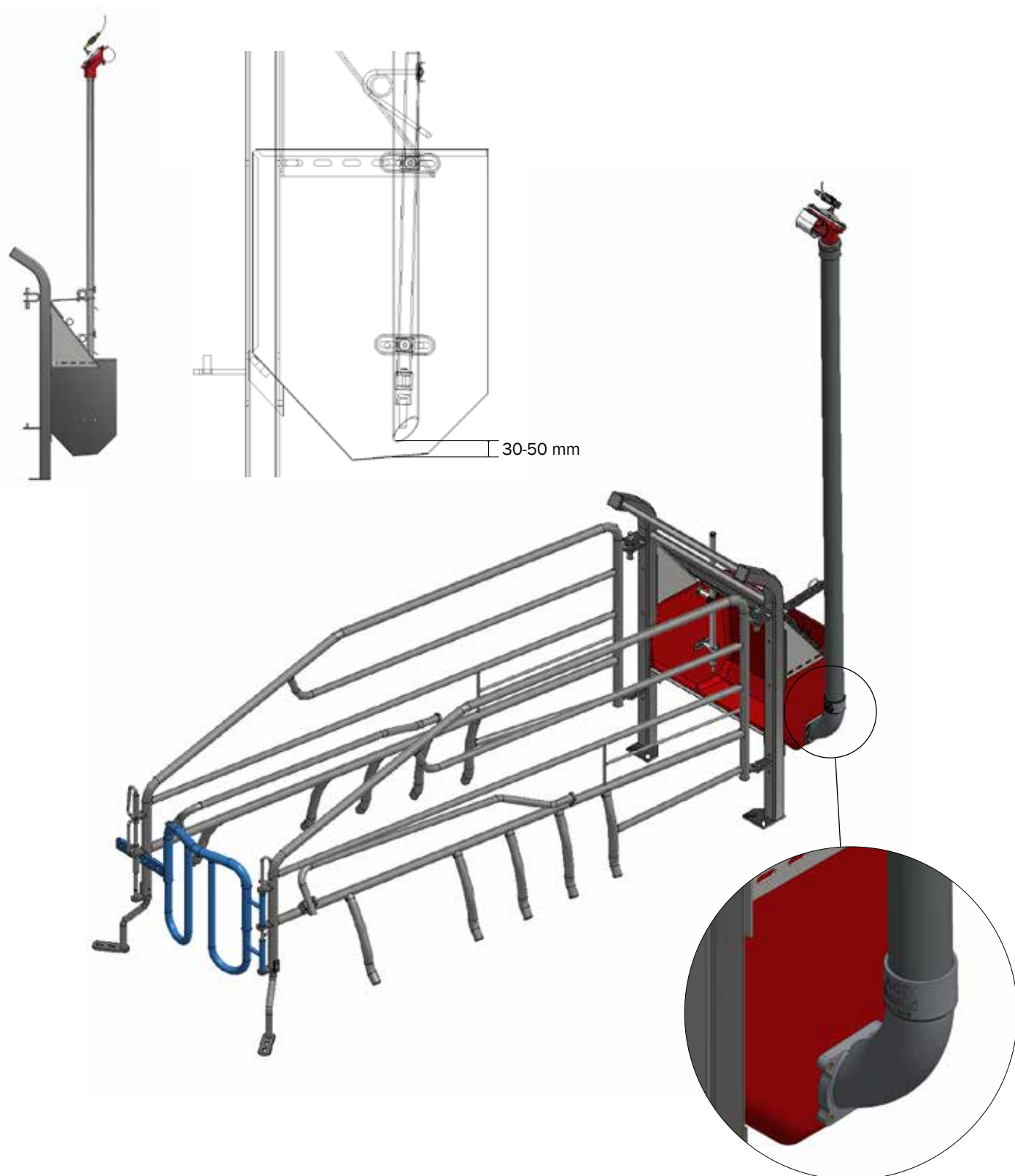


RULES FOR DOWN PIPES AND SUPPORTS



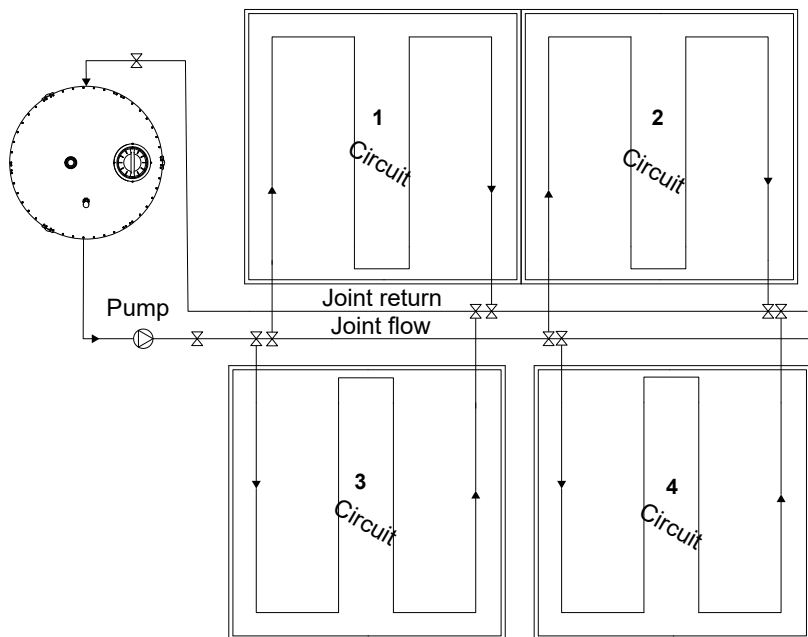
Fareboks med krybbe i plast eller rustfrit stål

- The outlet of the down pipe must be mounted 30-50 mm from the trough bottom

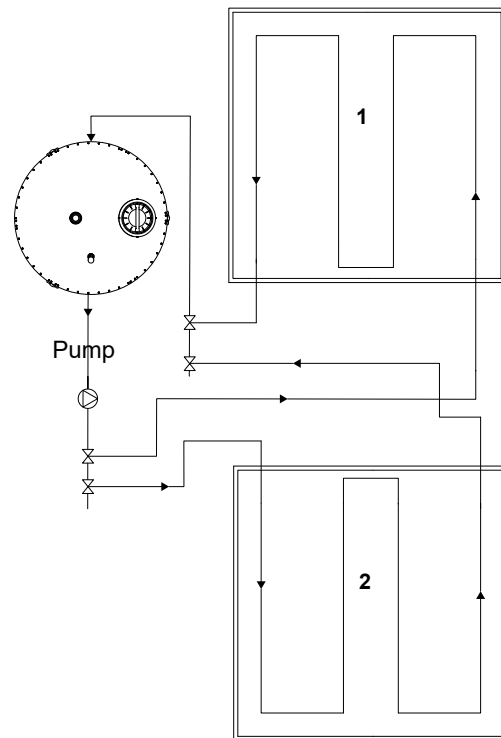


Systems for one tank

Traditional - Main circuit

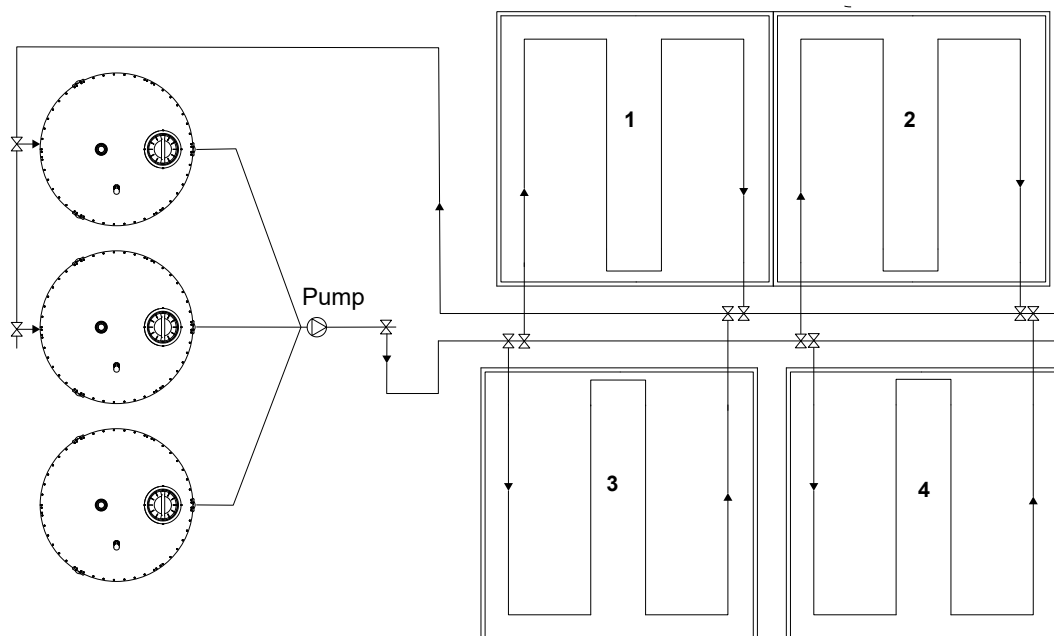


Combined main-/ section circuit



System for three tanks

Residual-free liquid feeding system - Main circuit

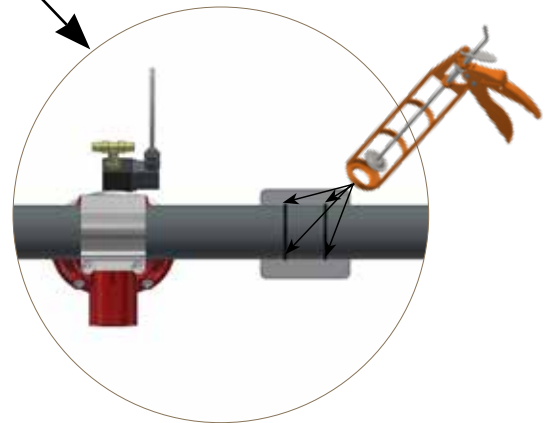
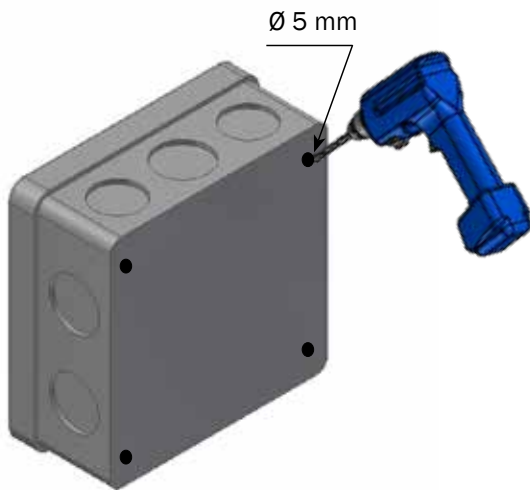


Combination possibilities of the valves:

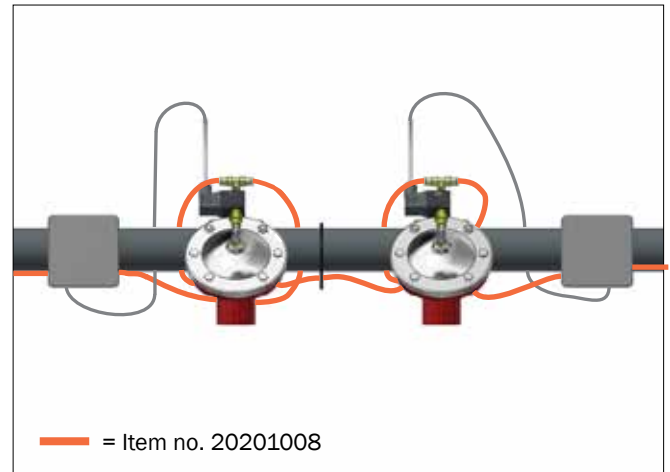
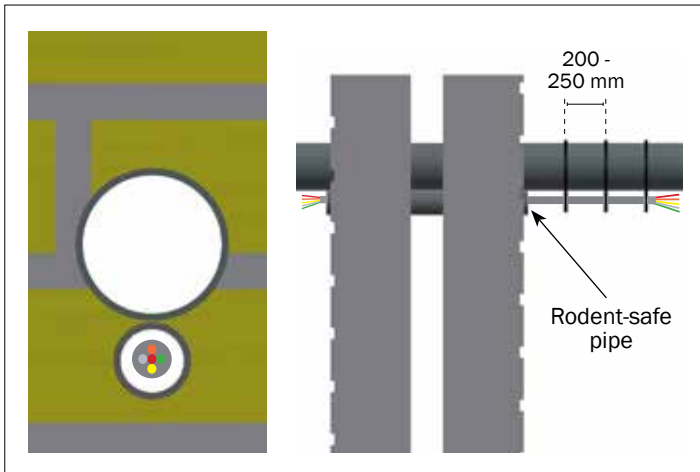
- Ball valve - ball valve
- Diaphragm valve - diaphragm valve
- Ball valve - diaphragm valve

Mounting of junction box onto the feed pipe

Cables are joined using scotchlok or clamps



Cable routing



Marking of boxes and valves

Mark both the junction box and the valve with the number of the valve, so that, in case of break-downs, it is clear to see how the cables are connected to the valve and trough sensor.

Make sure to remove the outer isolation from approx. 20 cm of the cable.



Make sure to use a form of marking that is suitable and lasting.

