

# MOUNTING INSTRUCTIONS



## FUNKI FLEX AUGER



**ACO FUNKI A/S**  
Kirkevænget 5  
DK-7400 Herning

Tel. +45 9711 9600  
[www.acofunki.com](http://www.acofunki.com)  
[www.egebjerg.com](http://www.egebjerg.com)

# General information

## Manufacturer and product data

Manufacturer: ACO Funki A/S  
Kirkevænget 5, Gjellerup  
DK-7400 Herning  
Denmark  
Tel. +45 97 11 96 00

Product type: Funki Flex Auger

Every effort has been made to ensure that the contents of this manual are correct. However, should you discover any errors, please inform ACO Funki A/S immediately so that they can be corrected.

Despite our efforts, ACO Funki A/S accepts no liability whatsoever for possible errors in the manual or for the consequences of such errors.

ACO Funki A/S reserves the right to change the contents of the manual without prior notice.

## 1. General safety instructions

This product has been designed and manufactured in accordance with the latest engineering standards and acknowledged safety regulations, making it highly reliable. The product may, however, be dangerous for operators or third parties and may cause material damage if operated by unqualified persons or for purposes other than that described in section 5.1.

The following safety instructions must therefore be carefully read and observed.

- The product must only be used for its intended purpose, as described in section 5.1. The general instructions regarding safety and accident prevention must be observed at all times.
- Qualified personnel are persons who by reason of their training, experience or instruction and their knowledge of relevant standards and regulations, accident prevention instructions and operating conditions have been authorised by the person responsible for the safety of the machine to perform appropriate everyday activities, including the identification and prevention of potentially hazardous situations (IEC 364).
- The machine must only be operated by trained personnel. Children may only operate the machine if over 16 years of age, supervised by a qualified adult and where such operation forms part of their training/education.
- To ensure personal safety and reliable operation, only original accessories and spare parts from ACO Funki A/S must be used.
- For safety reasons, unauthorised machine alterations are not permitted.
- Maintenance and repair (of electrical parts in particular) must only be performed by qualified and trained personnel.
- Voltage-carrying, pressure-activated and rotating or in any other way moving machine parts may cause serious or fatal injury if operated incorrectly or if safety instructions are not observed.
- Protection devices must never be disconnected during operation and must never be altered or weakened in relation to their intended effect.
- Current national and international guidelines and regulations regarding accident prevention must be observed at all times, as must general safety requirements.

**NOTE: THE DANISH VERSION IS THE ORIGINAL SAMPLE, ALL OTHER LANGUAGE VERSIONS REFER TO THE ORIGINAL SAMPLE.**

# Symbol explanation

## 1.2 Key symbols

If the safety instructions described in this manual are not observed, personal injury or material damage may result. Such damage may prevent the machine from functioning correctly. Safety instructions and instructions for trouble-free operation are accompanied by the following symbols:



Warning symbol in accordance with ISO 3864 B.3.1.  
Caution: risk of personal injury or material damage.



Warning symbol in accordance with ISO 3864 B.3.6.  
Caution: risk of electric shock.

Sections of this manual accompanied by one of these symbols should be read with particular care!



Allowed



Not allowed

# Declaration of conformity

ACO Funki A/S hereby declares that:

Machine: Funki Flex Auger Ø75 / Ø90

Application: The Flex Auger must only be used for dry feed (pelleted or meal).

Article No.: 0170-879; 0170-847; 0170-899; 0170-849

Funki Flex Auger are manufactured in accordance with the Council Directive of 10/06/2013 Machinery Directive 2006/42/EC as amended, Electromagnetic compatibility 2014/30/EU

Standards: Compliance is declared according to the following standards:

- DS/S-250 Machine safety
- DS/S-544 Safety of machinery - Electrical equipment on machines - Part 1
- DS/S-517/U-02 Low voltage switchboards



ACO Funki A/S



Kirkevænget 5, DK-7400 Herning



www.acofunki.dk



acofunki@acofunki.dk



+45 9711 9600



15.06.2022



  
ACO Funki A/S  
Lene Bryde

## 3.1 Article No.

Flex Auger	Ø75	Ø90
Single	0170-879	0170-899
Double	0170-847	0170-849
Extra accessories		
Extra outlet	0170-808	0170-818
Extension	0170-809	0170-819

## 3.2 Application

The Funki Flex Auger is for dry feed (pelleted or ground feeds).  
Auger and outlet are hung in chains.

## 3.3 Materials

The Funki Flex Auger is made in plastic, galvanized or stainless steel.  
Incl. chains for suspension

## 3.4 Dimensioned drawing

Length - 120m

Height -

Width -

Single Flex Auger up to 60 meters - 1 gearmotor + 1 safety switch, Flex Auger up to 120 meters - 2 gearmotor + 2 safety switch

Double Flex Auger up to 60 meters - 2 gearmotors + 2 safety switches, Flex Auger up to 120 meters - 4 gearmotor + 4 safety switch



## 3.5 Weight

All article No.:


## Power - requirements

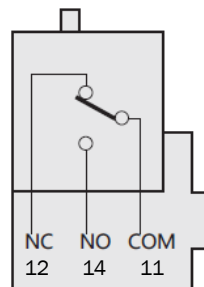
### 3.6 Power supply

Gear motor for Ø75	
45112277	GEAR MOTOR 400 VAC IE3 1,5 KW 1380 RPM I=5,70
45012227	GEAR I=5,70 AF SHAFT
74013227	MOTOR 400VAC IE3 1,5KW 1380RPM

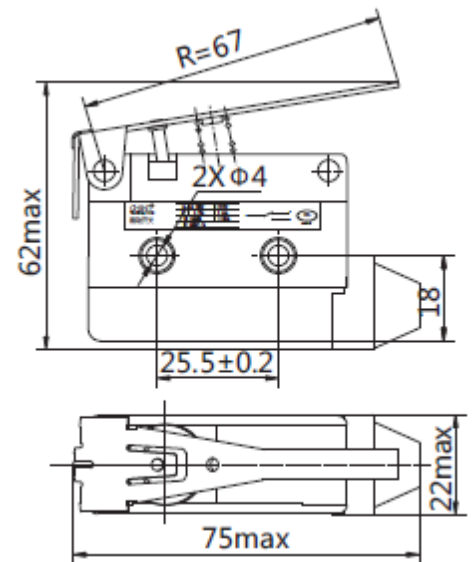
Gear motor for Ø90	
45113227	GEAR MOTOR 400 VAC IE3 1,5 KW 1380 RPM I=5,09
45013227	GEAR I=5,09 AF SHAFT
74013227	MOTOR 400VAC IE3 1,5KW 1380RPM



Specifications for motor						
Part NO.	IE Nr.	U	F	I	kW	
45112227	03	240V / 400V	50Hz / 60Hz	1,15A / 0,67A	1,5	1365 / 1640
45113227	03	240V / 400V	50Hz / 60Hz	1,15A / 0,67A	1,5	1365 / 1640



Electrical diagram for control



Specifications for microswitch				
Model	IE Nr.	U	I	Velocity mm / s
YBLXW-6/11CG	02	380V/220V	0,79A / 0,14A	0,1-0,5

## 4.1 General handling instructions

The product must not be subjected to impact, sudden temperature changes, direct sunlight, damp surroundings or strong electromagnetic fields.

## 4.2 Transport packaging

The product is delivered packaged. Do not remove the packaging until the product has been transported to the installation site.

## 4.3 Storage

The product must be stored in a warm, dry place.

## 4.4 Unpacking

On delivery, check the product for transport damage. ACO Funki must be informed of any transport damage without delay. If the product is damaged in any way, it must not be taken into operation.

## 5.1 Electrical connections



All cables must comply with current regulations. Note that there may be special requirements on the use of reinforced cables in agricultural buildings. ACO Funki accepts no liability for damage caused by the use of unsuitable cables or incorrect installation.

- Before connecting the equipment to the power supply, check that the mains voltage and frequency are compatible with the equipment to be used.
- The motor must be protected by a motor protector in accordance with current regulations regarding the connection of electric drives. Check that the motor protector settings comply with the data stated on the motor name plate.
- Before connecting the motor, check the phase order for motor rotation direction.

### 5.1.1 Power supply

Connect the drive unit electric motor to the mains.

## 5.2 Main and emergency power circuit breaker

The machine must always be equipped with a mains circuit breaker in accordance with current regulations.

## 5.3 Connection to other equipment

Control unit: see instructions for unit concerned.

## 5.4 Possible hazards during installation



The drive unit contains heavy and sharp parts. Always wear work gloves and protective footwear when working on the drive unit.

## 5.5 Possible errors of fitting

Pay attention to the direction of rotation of the motor when electrically connected. Motor protection is adjusted in relation to the power of the electric motor.

# Warnings

---

## 6.1 Intended use

The Flex Auger must only be used for dry feed (pelleted or meal).

If, despite this instruction, the product is used for purposes other than its intended use, the warranty and all other liabilities will be waived.

## 6.2 Expected operator contact

As the Flex Auger is usually operated via a control system, personnel will not be in direct contact with the reception unit.

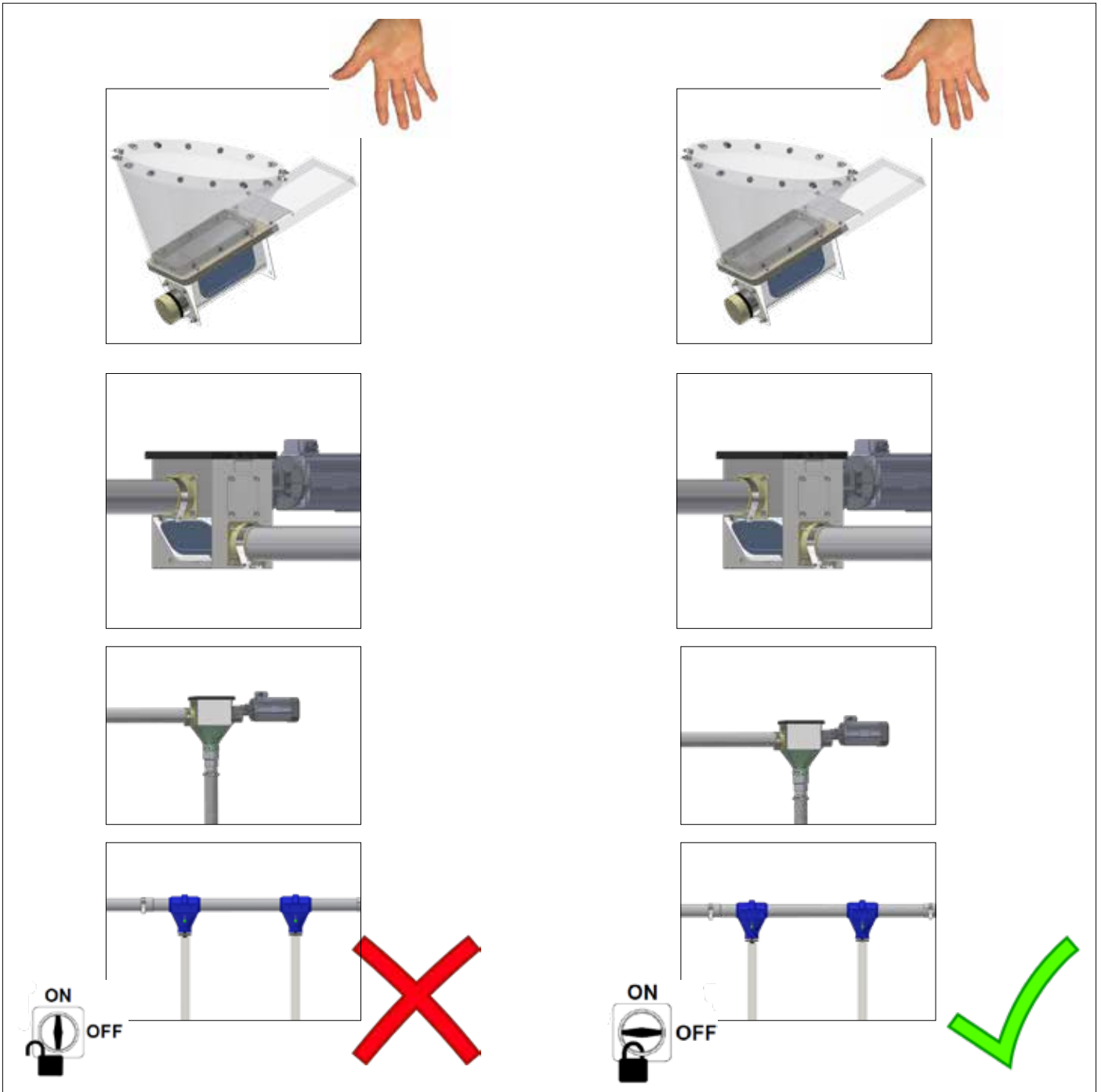
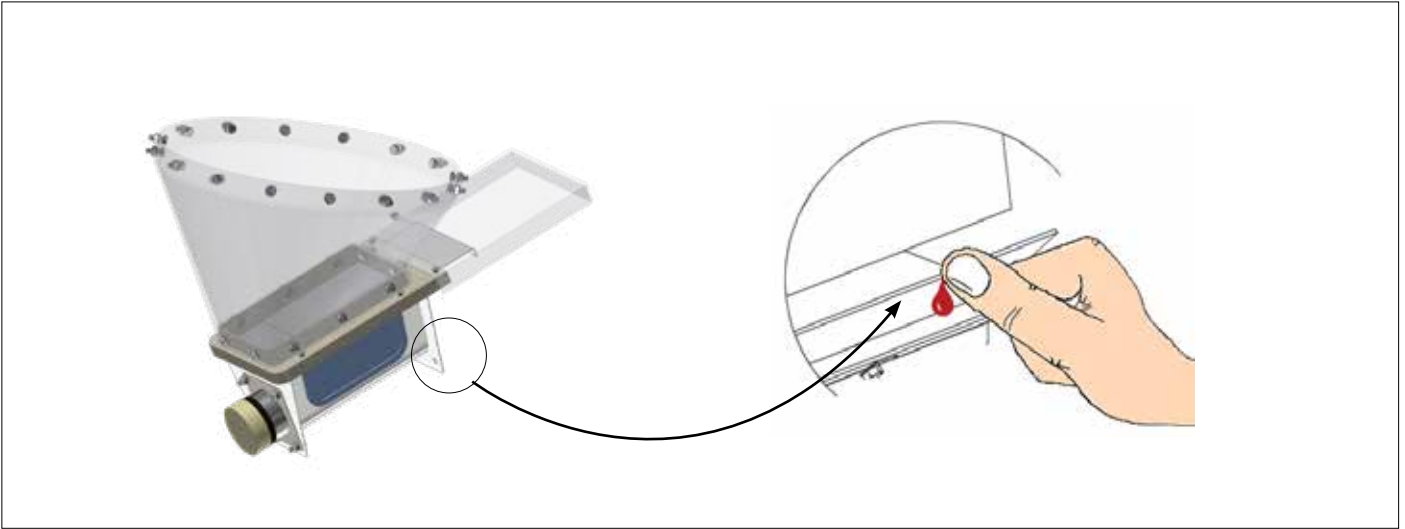
## 6.3 Special safety instructions



Note! The machine may start automatically. The power supply must therefore always be disconnected before removing the plastic panel.



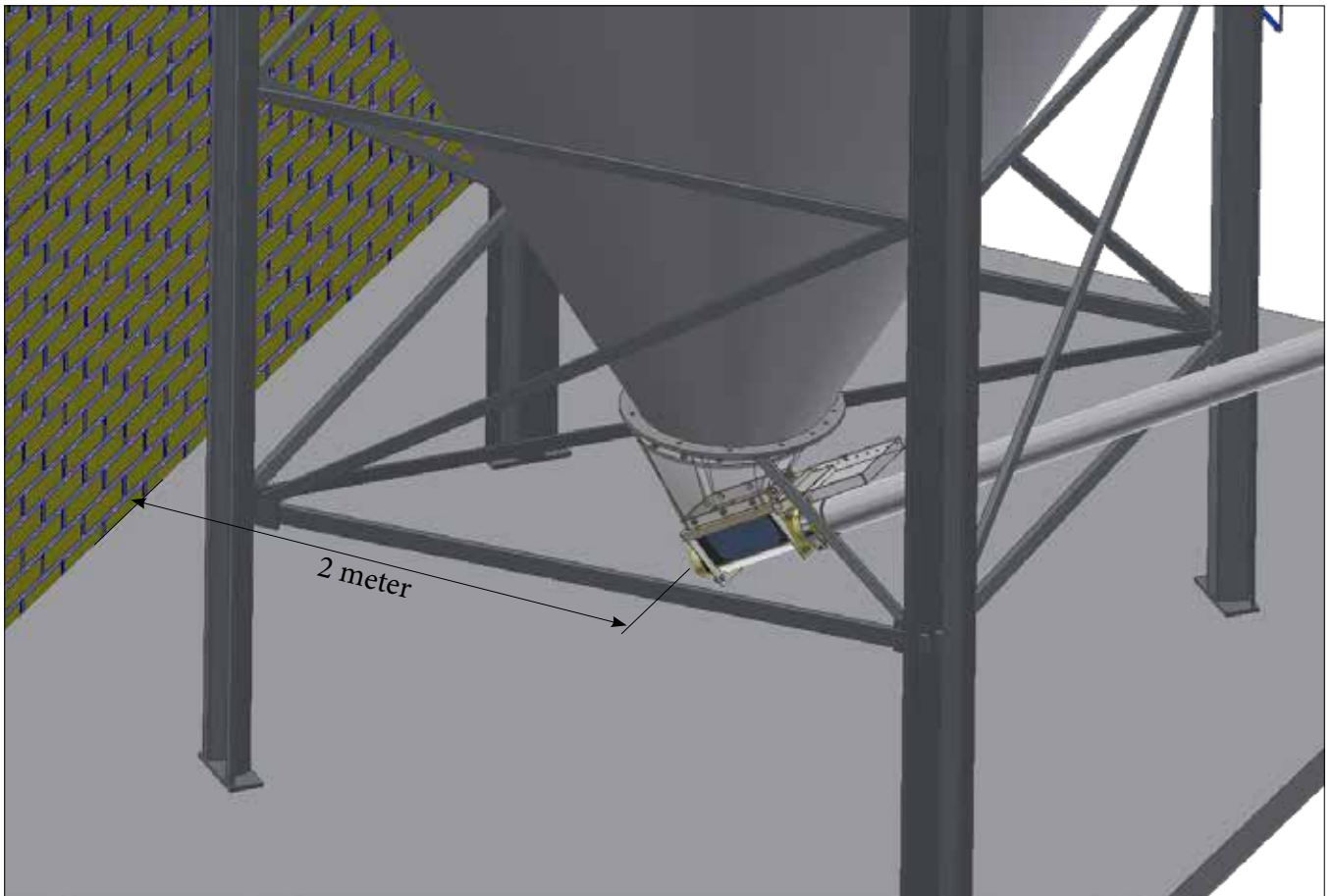
# Warnings



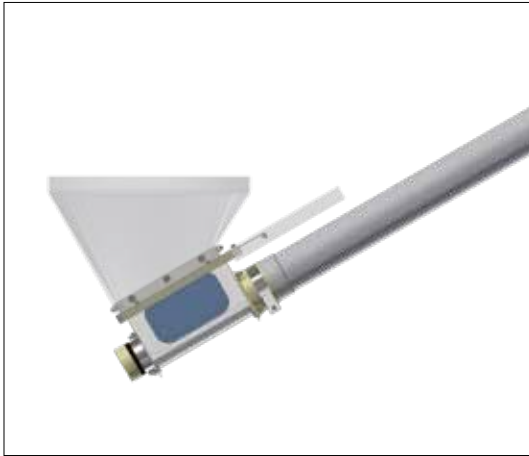
# Installation instructions

## 7.1 Free distances around the machine

For the purpose of servicing Funki Flex Auger, the following distances are recommended:  
Behind Flex Auger for wall - minimum 2 meters.



## Installation instructions



A



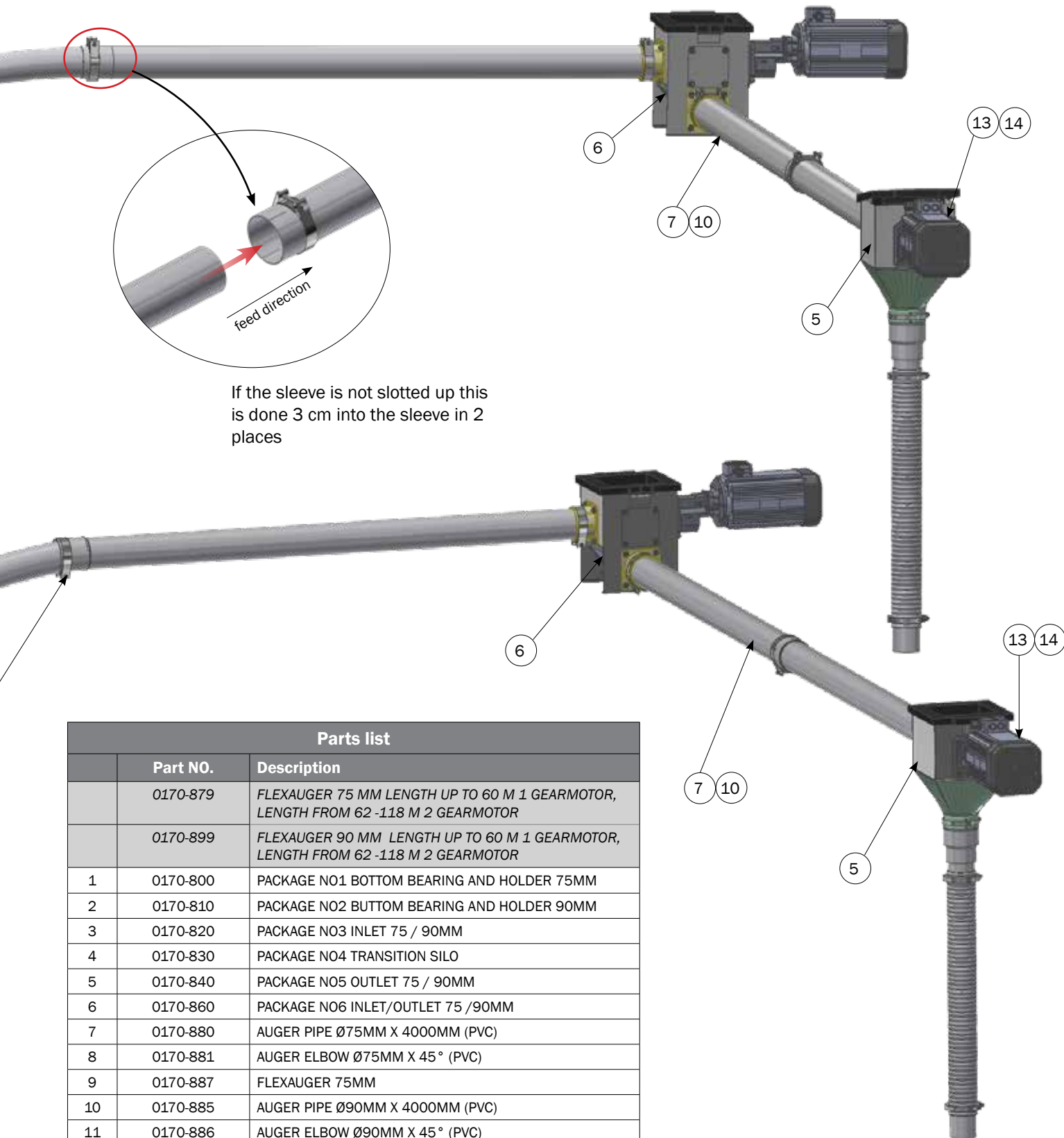
B

Inclined mounted position A is preferred, but position B horizontal is also an option.

# Single flex auger



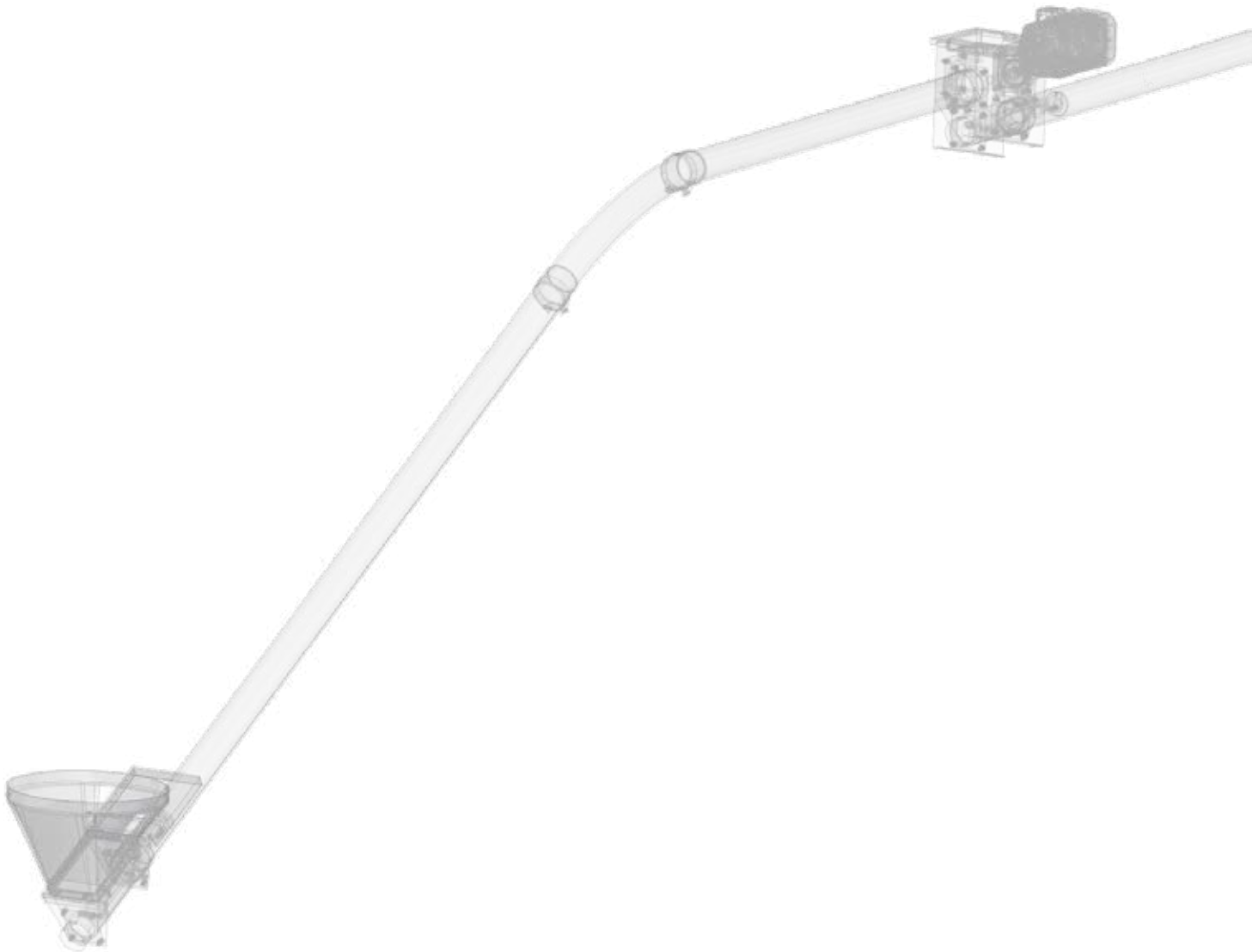
# Single flex auger



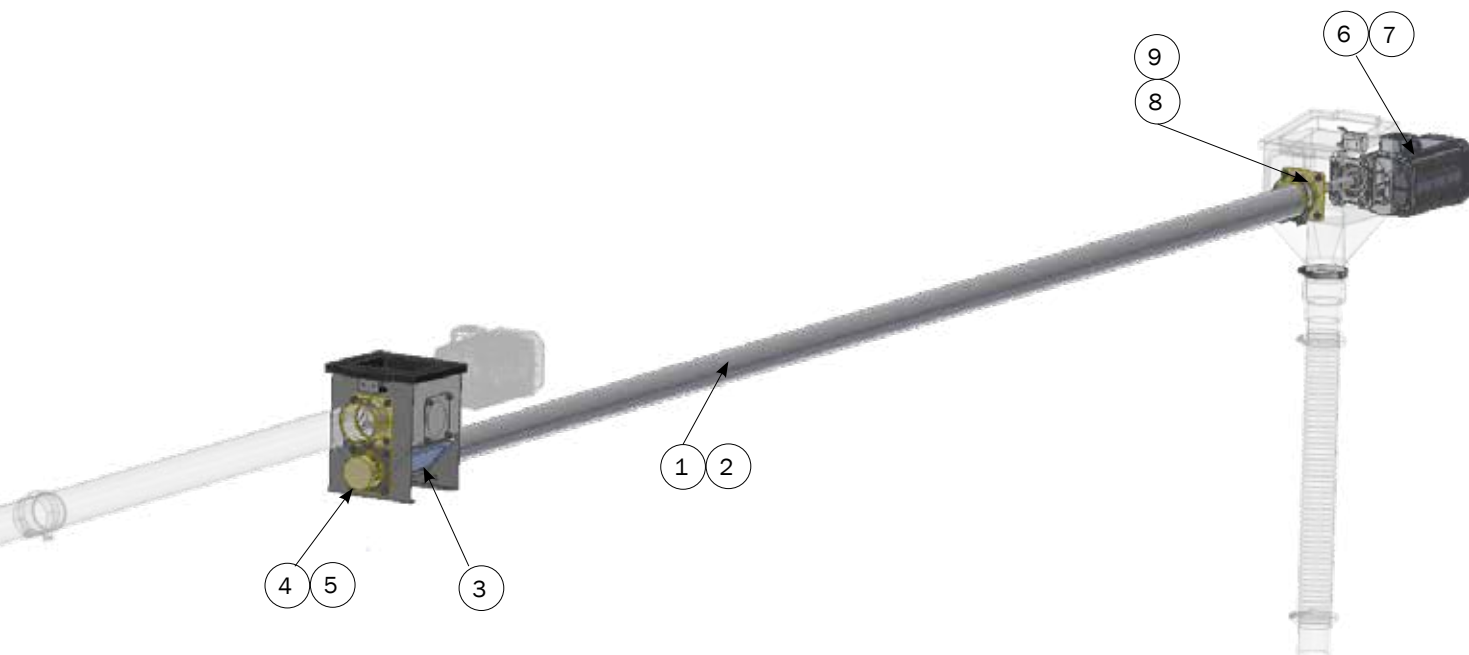
If the sleeve is not slotted up this is done 3 cm into the sleeve in 2 places

Parts list		
	Part NO.	Description
	0170-879	FLEXAUGER 75 MM LENGTH UP TO 60 M 1 GEARMOTOR, LENGTH FROM 62 -118 M 2 GEARMOTOR
	0170-899	FLEXAUGER 90 MM LENGTH UP TO 60 M 1 GEARMOTOR, LENGTH FROM 62 -118 M 2 GEARMOTOR
1	0170-800	PACKAGE NO1 BOTTOM BEARING AND HOLDER 75MM
2	0170-810	PACKAGE NO2 BUTTOM BEARING AND HOLDER 90MM
3	0170-820	PACKAGE NO3 INLET 75 / 90MM
4	0170-830	PACKAGE NO4 TRANSITION SILO
5	0170-840	PACKAGE NO5 OUTLET 75 / 90MM
6	0170-860	PACKAGE NO6 INLET/OUTLET 75 /90MM
7	0170-880	AUGER PIPE Ø75MM X 4000MM (PVC)
8	0170-881	AUGER ELBOW Ø75MM X 45° (PVC)
9	0170-887	FLEXAUGER 75MM
10	0170-885	AUGER PIPE Ø90MM X 4000MM (PVC)
11	0170-886	AUGER ELBOW Ø90MM X 45° (PVC)
12	0170-883	FLEXAUGER 90MM
13	45112277	GEARMOTOR 400 VAC IE3 1,5 KW 1380 RPM I=5,70 Ø75
14	45113227	GEARMOTOR 400 VAC IE3 1,5 KW 1380 RPM I=5,09 Ø90
15	39927046	HOSE CLAMPS W2 STAINLESS STEEL Ø97-104
16	39927003	HOSE CLAMPS W2 STAINLESS STEEL Ø79-85

## Extension of Flex augers up to 60 m at a time



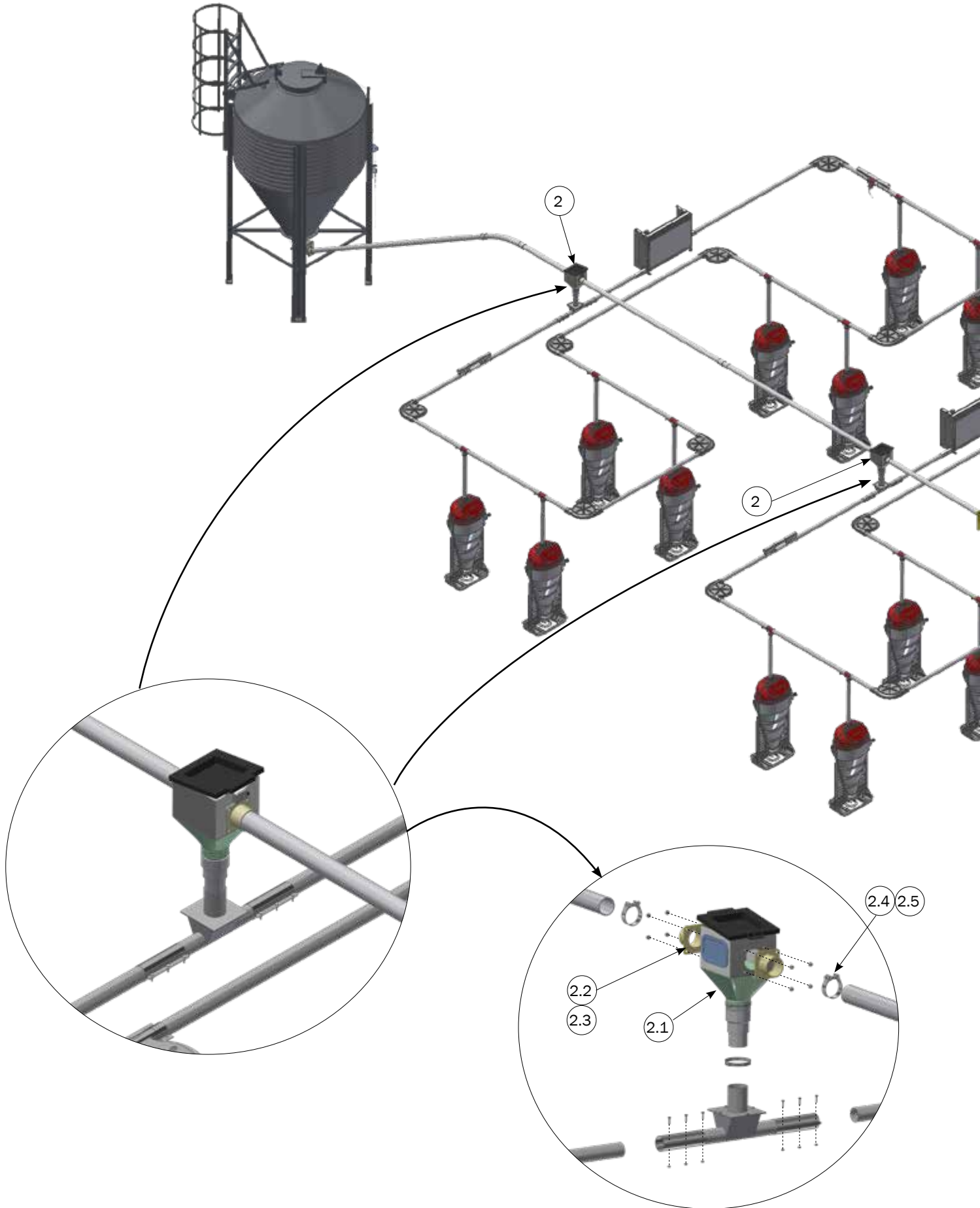
## Extension of Flex augers up to 60 m at a time



### Parts list

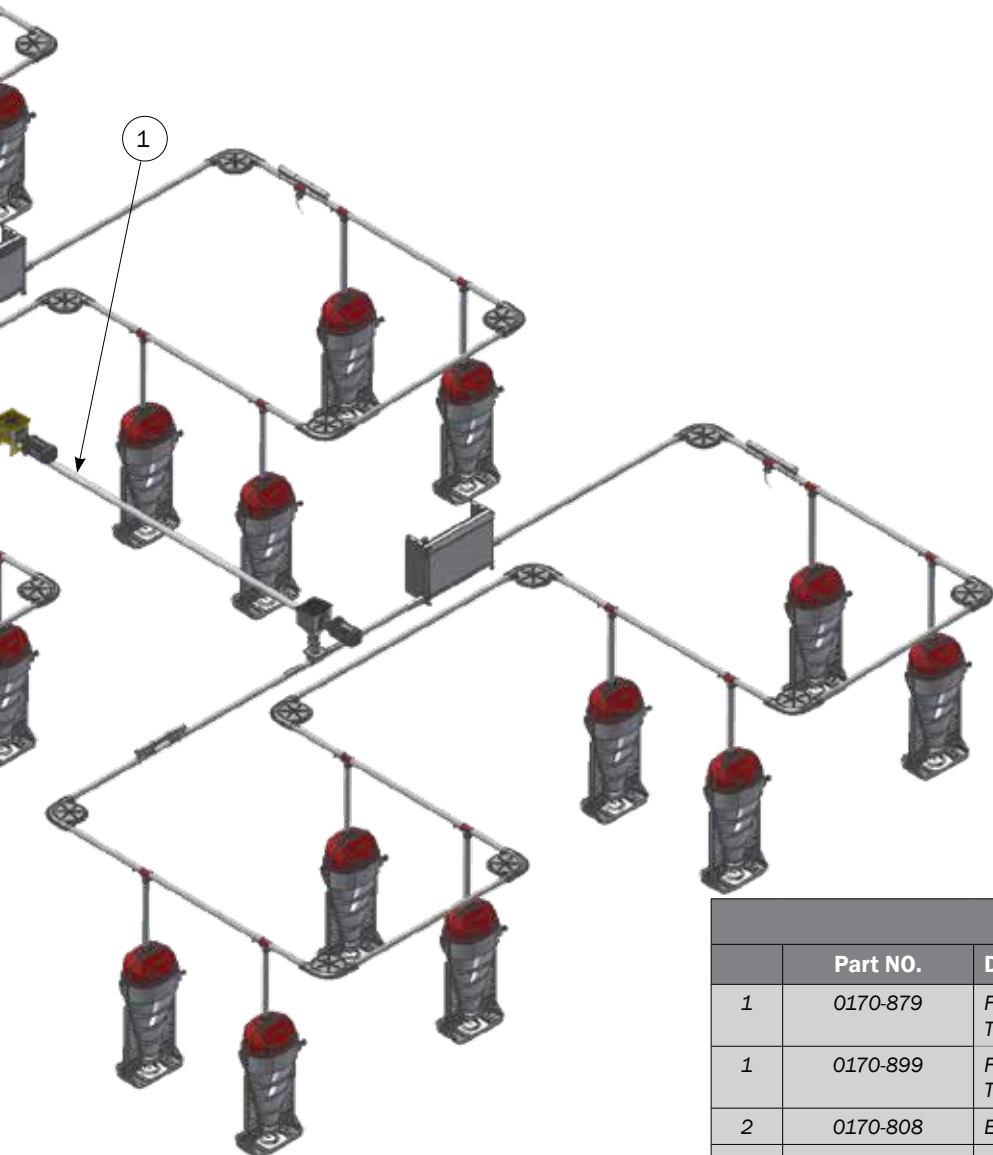
	Part NO.	Description
	0170-879	FLEXAUGER 75 MM LENGTH UP TO 60 M 1 GEARMOTOR, LENGTH FROM 62 -118 M 2 GEARMOTOR
	0170-899	FLEXAUGER 90 MM LENGTH UP TO 60 M 1 GEARMOTOR, LENGTH FROM 62 -118 M 2 GEARMOTOR
	0170-809	EXTENSION OF 75 MM FLEX AUGER
	0170-819	EXTENSION OF 90 MM FLEX AUGER
1	0170-880	AUGER PIPE Ø75MM X 4000MM (PVC)
2	0170-885	AUGER PIPE Ø90MM X 4000MM (PVC)
3	0170-860	PACKAGE NO6 INLET/OUTLET 75 /90MM
4	0170-800	PACKAGE NO1 BOTTOM BEARING AND HOLDER 75MM
5	0170-810	PACKAGE NO2 BUTTOM BEARING AND HOLDER 90MM
6	45113227	GEARMOTOR 400 VAC IE3 1,5 KW 1380 RPM I=5,09
7	45112277	GEARMOTOR 400 VAC IE3 1,5 KW 1380 RPM I=5,70
8	39927003	HOSE CLAMPS W2 STAINLESS STEEL Ø79-85
9	39927046	HOSE CLAMPS W2 STAINLESS STEEL Ø97-104
10	09000024	CHAIN (GALVANIZED) PRICE PER METER
11	39900180	HOOK M8 X 110 MM A2
12	39900120	WALL PLUG 10X50MM
13	39900182	S-HOOK (GALVANIZED)
14	0170-887	FLEXAUGER 75MM
15	0170-883	FLEXAUGER 90MM

## Flex auger for several dry feeding systems





## Flex auger for several dry feeding systems

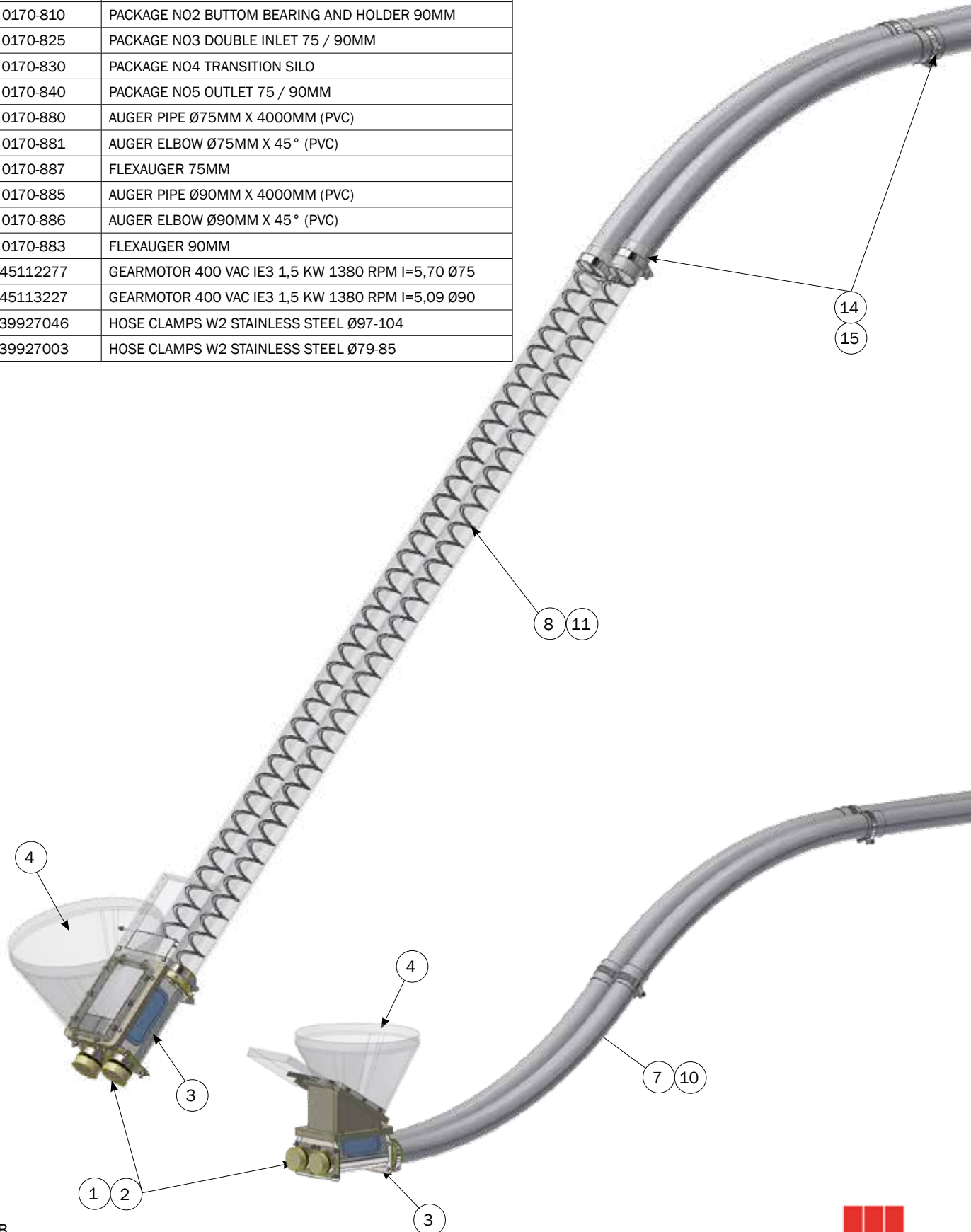


Parts list

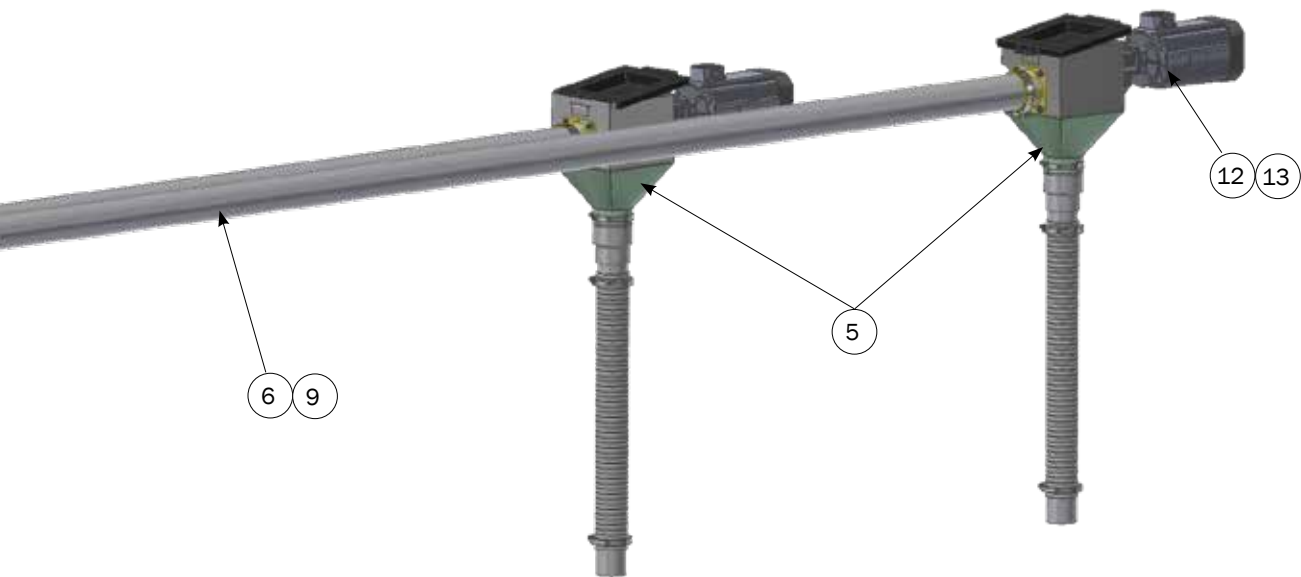
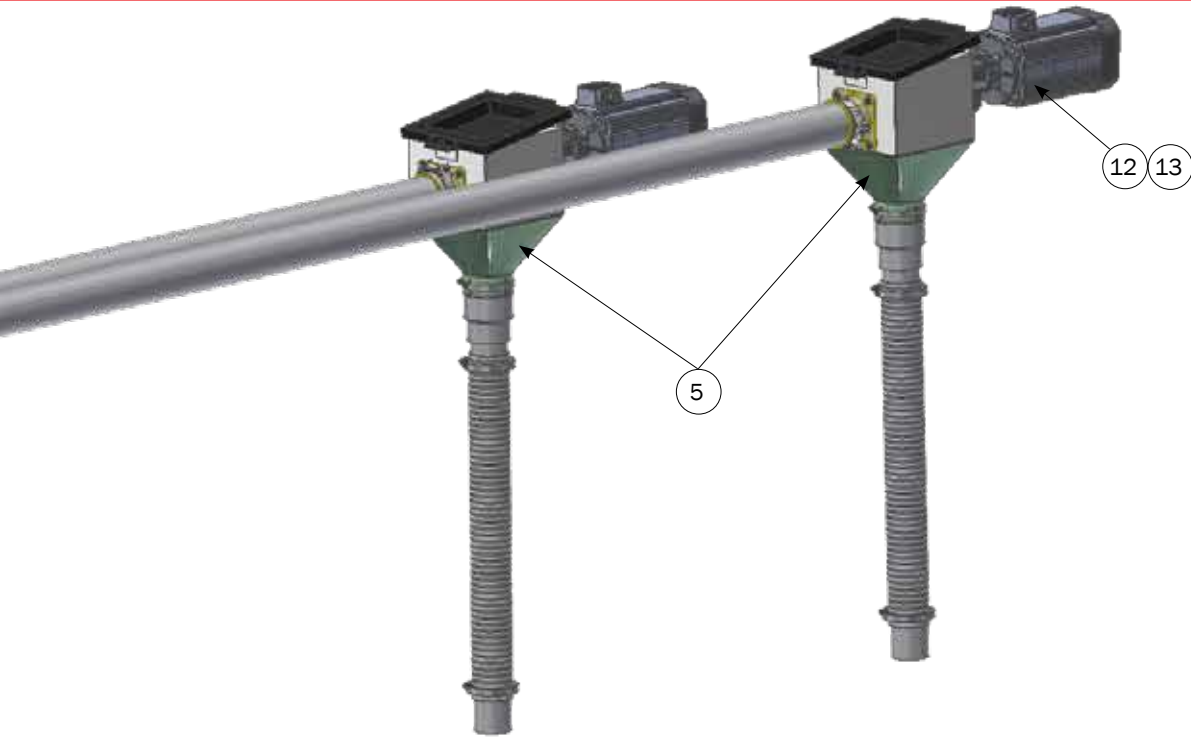
	Part NO.	Description
1	0170-879	FLEXAUGER 75 MM LENGTH UP TO 60 M 1 GEARMOTOR, LENGTH FROM 62 -118 M 2 GEARMOTOR
1	0170-899	FLEXAUGER 90 MM LENGTH UP TO 60 M 1 GEARMOTOR, LENGTH FROM 62 -118 M 2 GEARMOTOR
2	0170-808	EXTRA OUTLET 75 MM FLEX AUGER
2	0170-818	EXTRA OUTLET 90 MM FLEX AUGER
2.1	0170-840	PACKAGE N05 OUTLET 75 / 90MM
2.2	0170-875	FLEXAUGER PIPE HOLDER 75 MM
2.3	0170-890	FLEXAUGER PIPE HOLDER 90 MM
2.4	39927003	HOSE CLAMPS W2 STAINLESS STEEL Ø79-85
2.5	39927046	HOSE CLAMPS W2 STAINLESS STEEL Ø97-104
2.6	09000024	CHAIN (GALVANIZED) PRICE PER METER
2.7	39900180	HOOK M8 X 110 MM A2
2.8	39900120	WALL PLUG 10X50MM
2.9	39900182	S-HOOK (GALVANIZED)

## Double flex auger

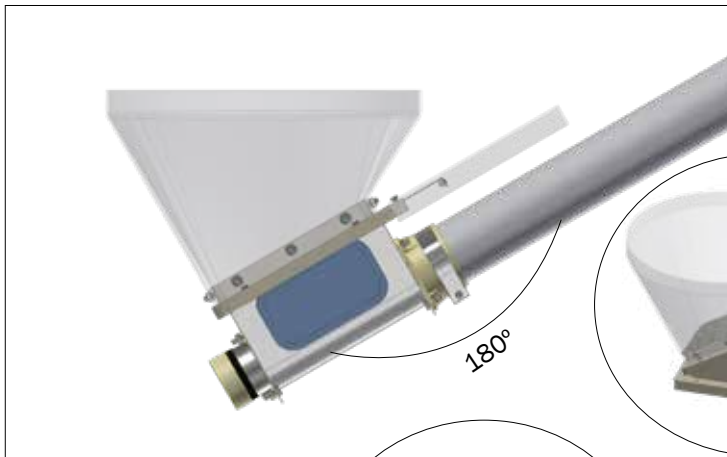
Parts list		
	Part NO.	Description
	0170-847	DOUBLE FLEXAUGER 75 MM LENGTH UP TO 60 M 2 GEAR-MOTOR, LENGTH FROM 62 -118 M 4 GEARMOTOR
	0170-849	DOUBLE FLEXAUGER 90 MM LENGTH UP TO 60 M 2 GEAR-MOTOR, LENGTH FROM 62 -118 M 4 GEARMOTOR
1	0170-800	PACKAGE NO1 BOTTOM BEARING AND HOLDER 75MM
2	0170-810	PACKAGE NO2 BUTTOM BEARING AND HOLDER 90MM
3	0170-825	PACKAGE NO3 DOUBLE INLET 75 / 90MM
4	0170-830	PACKAGE NO4 TRANSITION SILO
5	0170-840	PACKAGE NO5 OUTLET 75 / 90MM
6	0170-880	AUGER PIPE Ø75MM X 4000MM (PVC)
7	0170-881	AUGER ELBOW Ø75MM X 45° (PVC)
8	0170-887	FLEXAUGER 75MM
9	0170-885	AUGER PIPE Ø90MM X 4000MM (PVC)
10	0170-886	AUGER ELBOW Ø90MM X 45° (PVC)
11	0170-883	FLEXAUGER 90MM
12	45112277	GEARMOTOR 400 VAC IE3 1,5 KW 1380 RPM I=5,70 Ø75
13	45113227	GEARMOTOR 400 VAC IE3 1,5 KW 1380 RPM I=5,09 Ø90
14	39927046	HOSE CLAMPS W2 STAINLESS STEEL Ø97-104
15	39927003	HOSE CLAMPS W2 STAINLESS STEEL Ø79-85



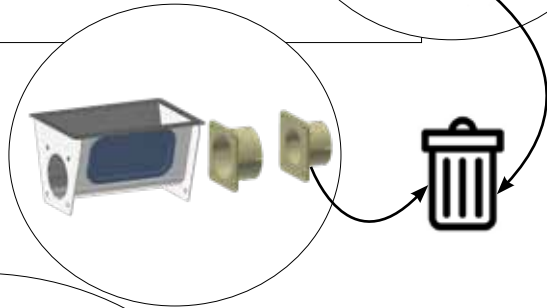
# Double flex auger



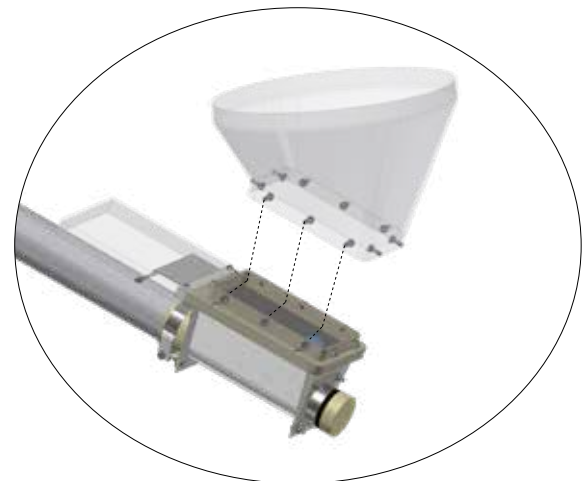
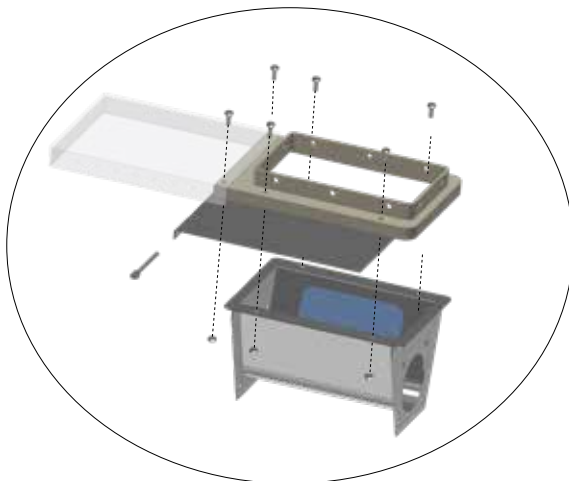
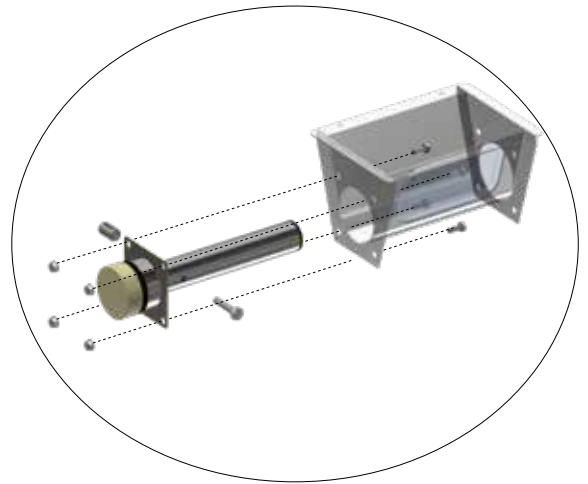
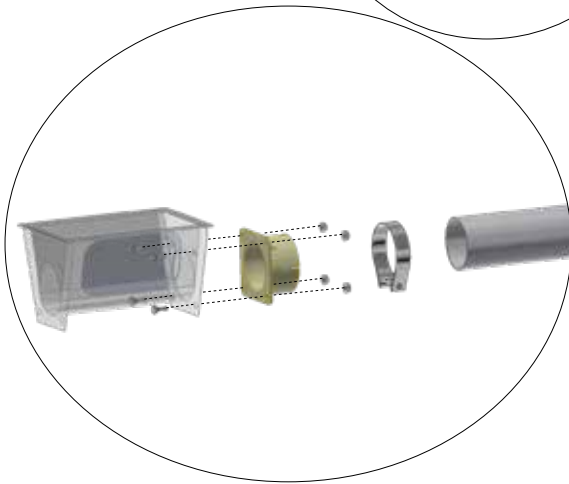
# Assembly instructions, single



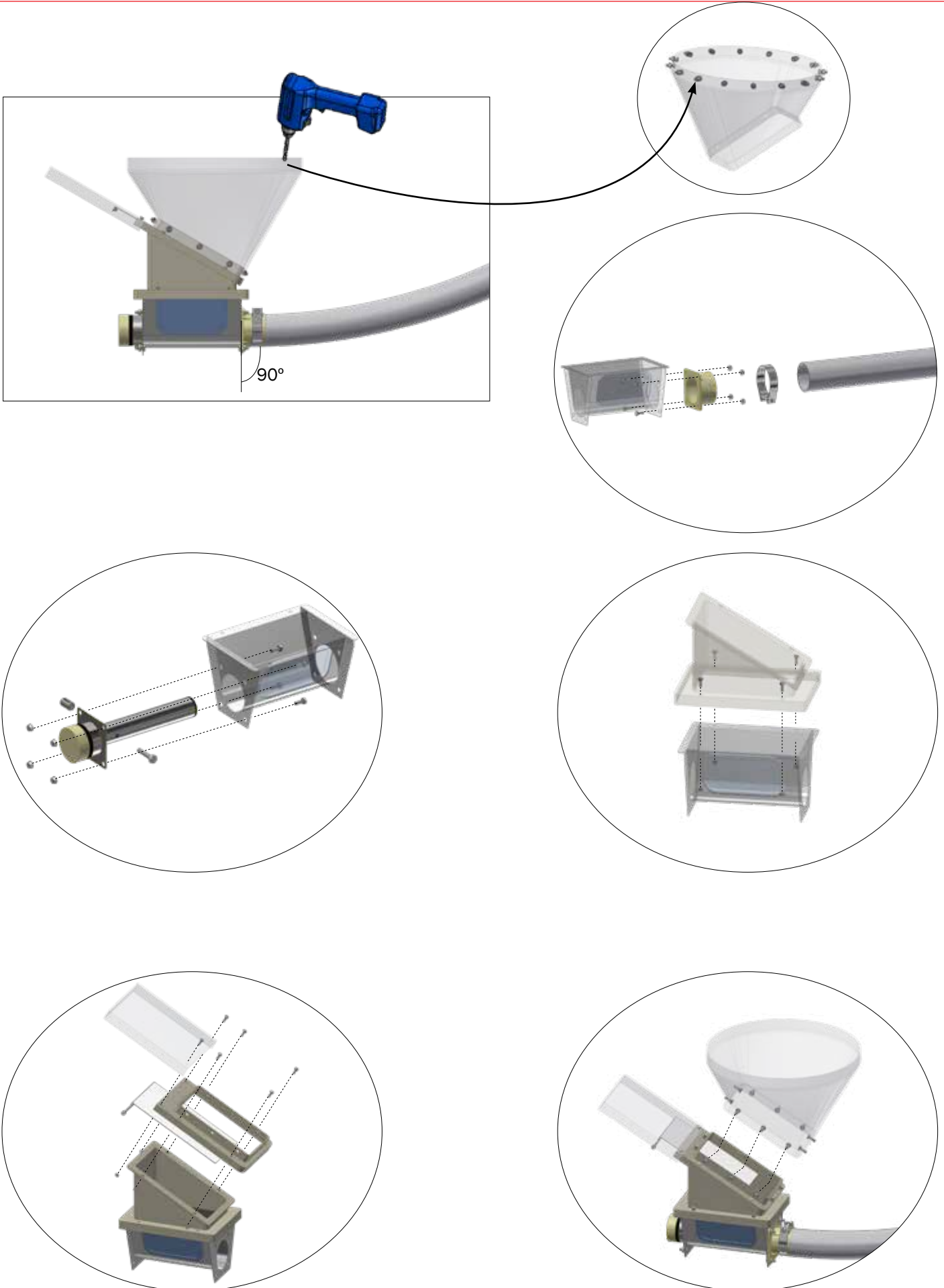
With angled mounting, the transition is thrown out / not necessary.



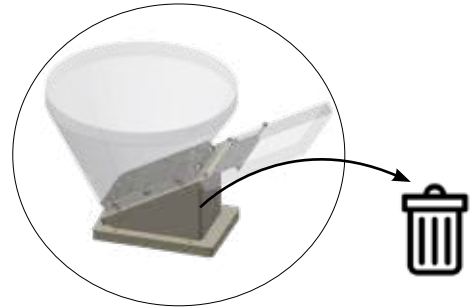
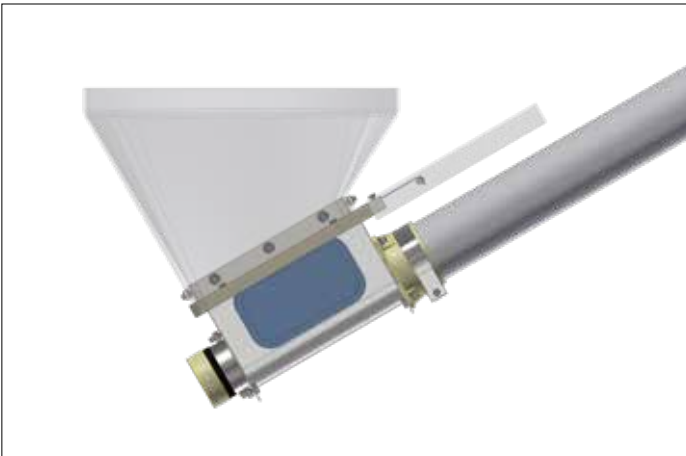
The transition is delivered with Ø75 and Ø90 flanges - the ones not in use can be disposed off.



# Assembly instructions, single

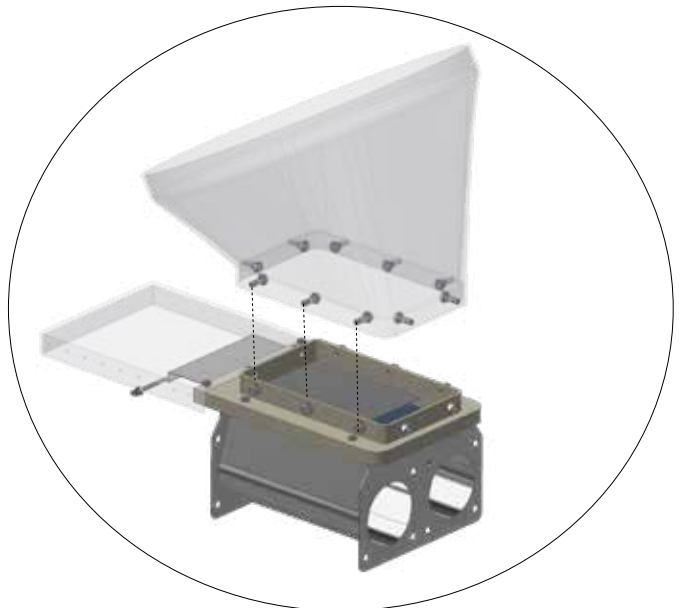
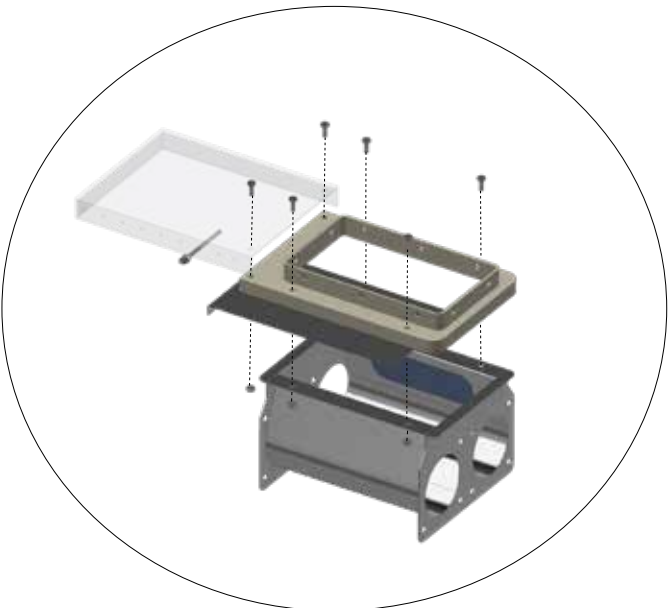
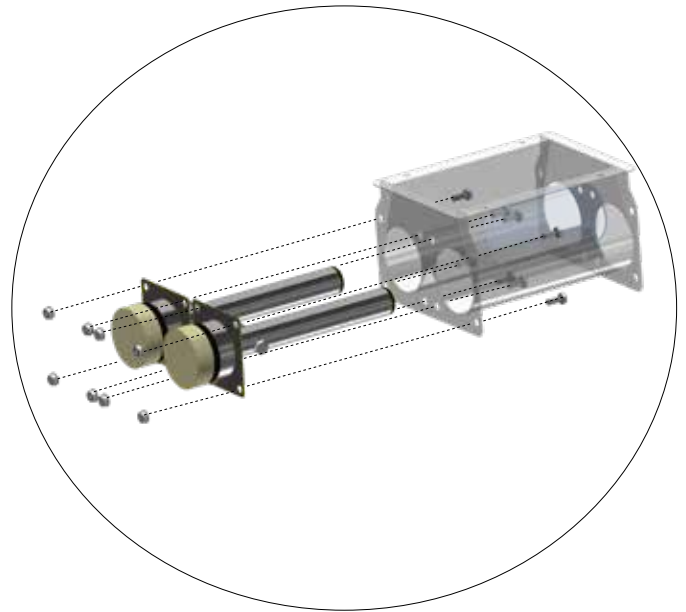
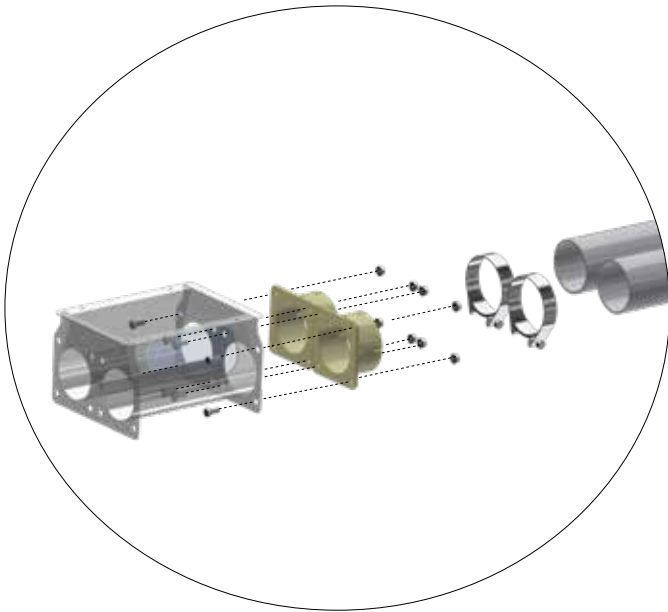


## Assembly instructions, double

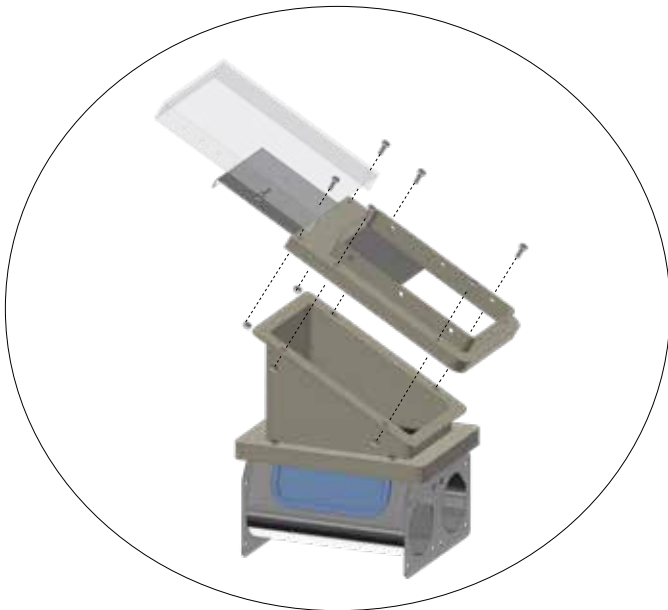
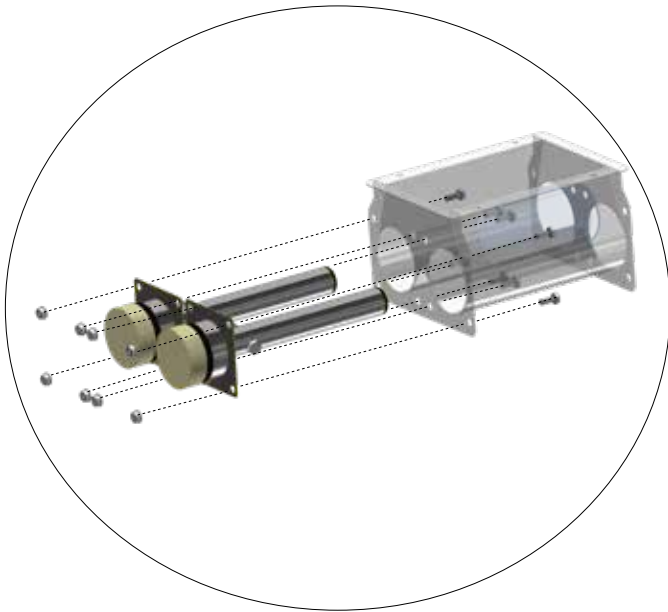
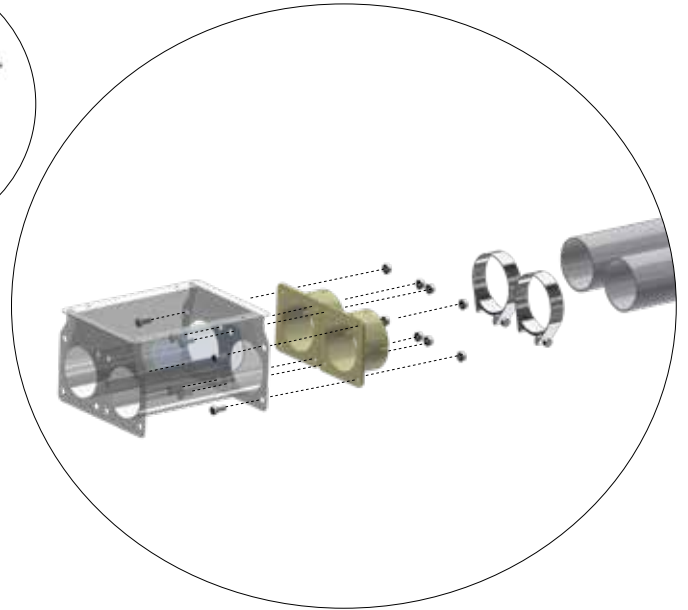
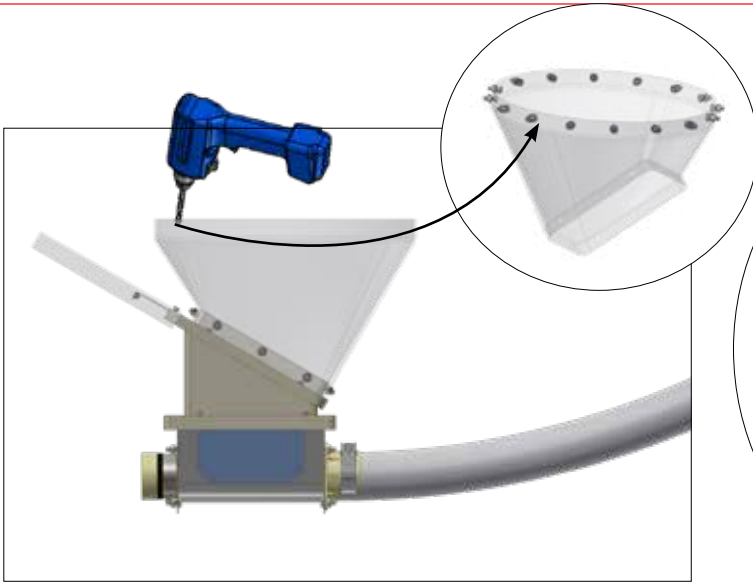


With angled mounting, the transition is thrown out / not necessary.

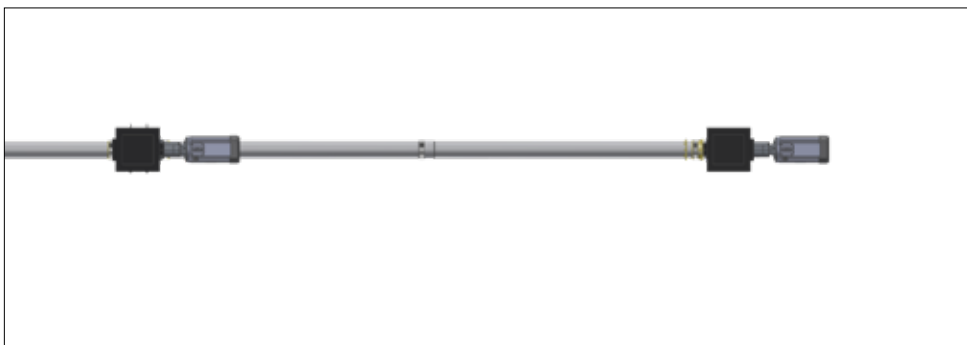
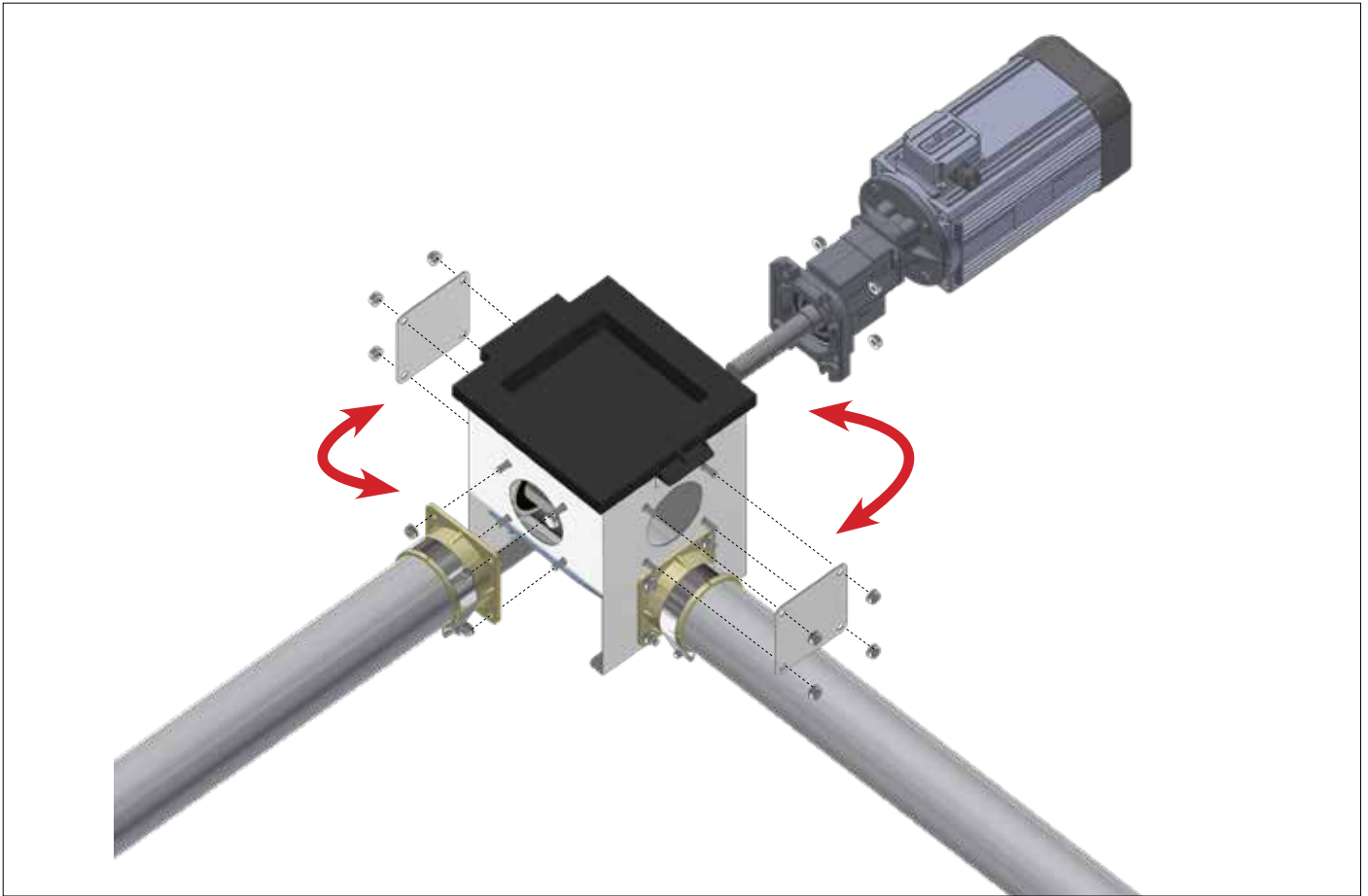
The transition is delivered with  $\text{\O}75$  and  $\text{\O}90$  flanges - the ones not in use can be disposed off.



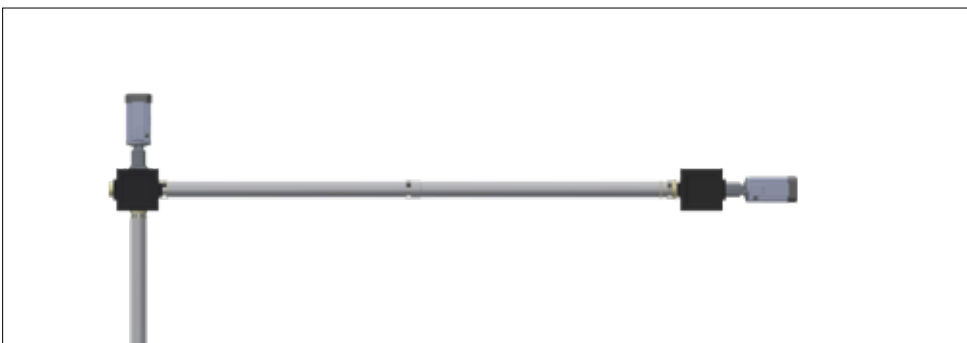
# Assembly instructions, double



# Assembly instructions



Straight

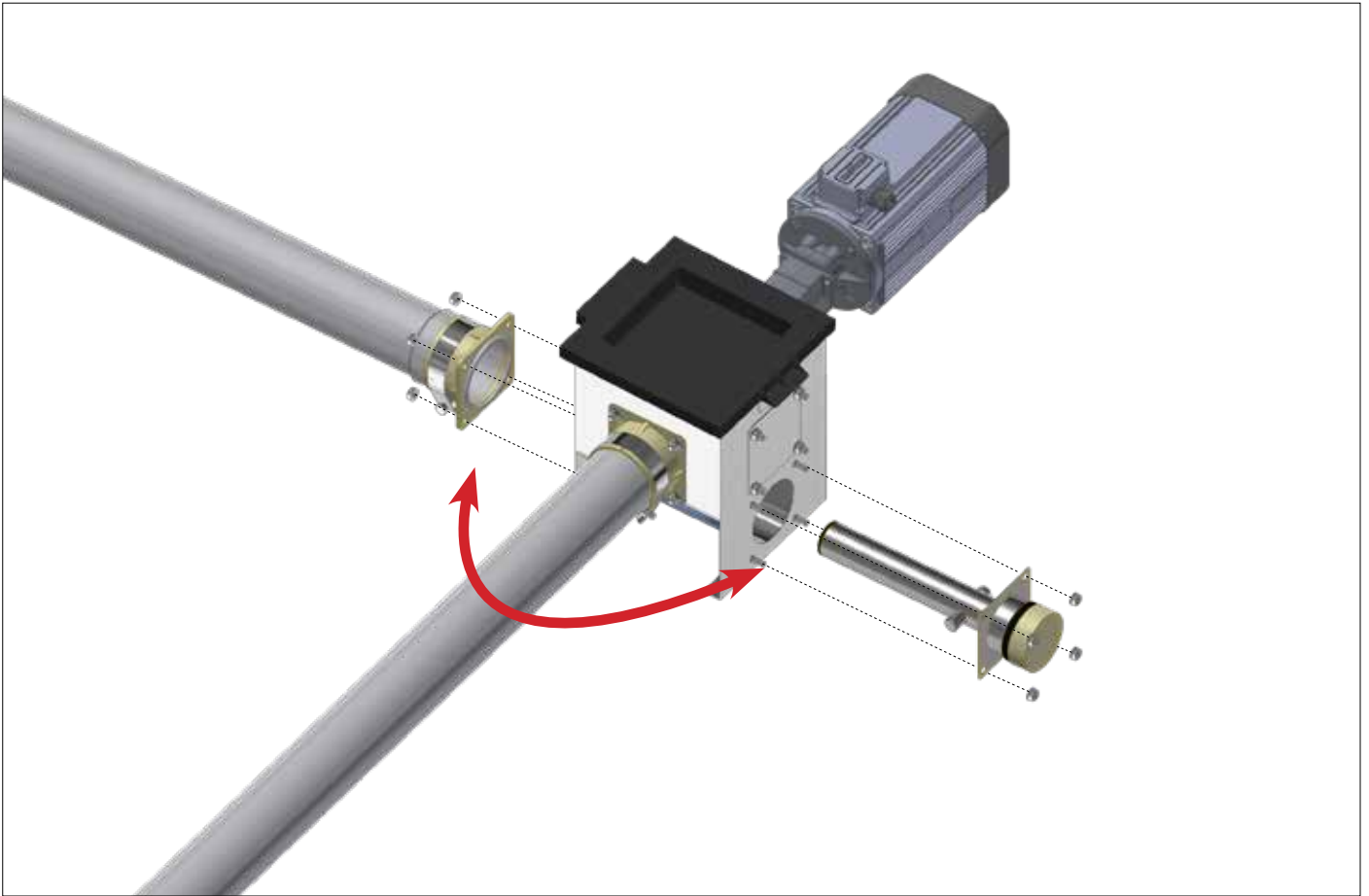


With angle 90°

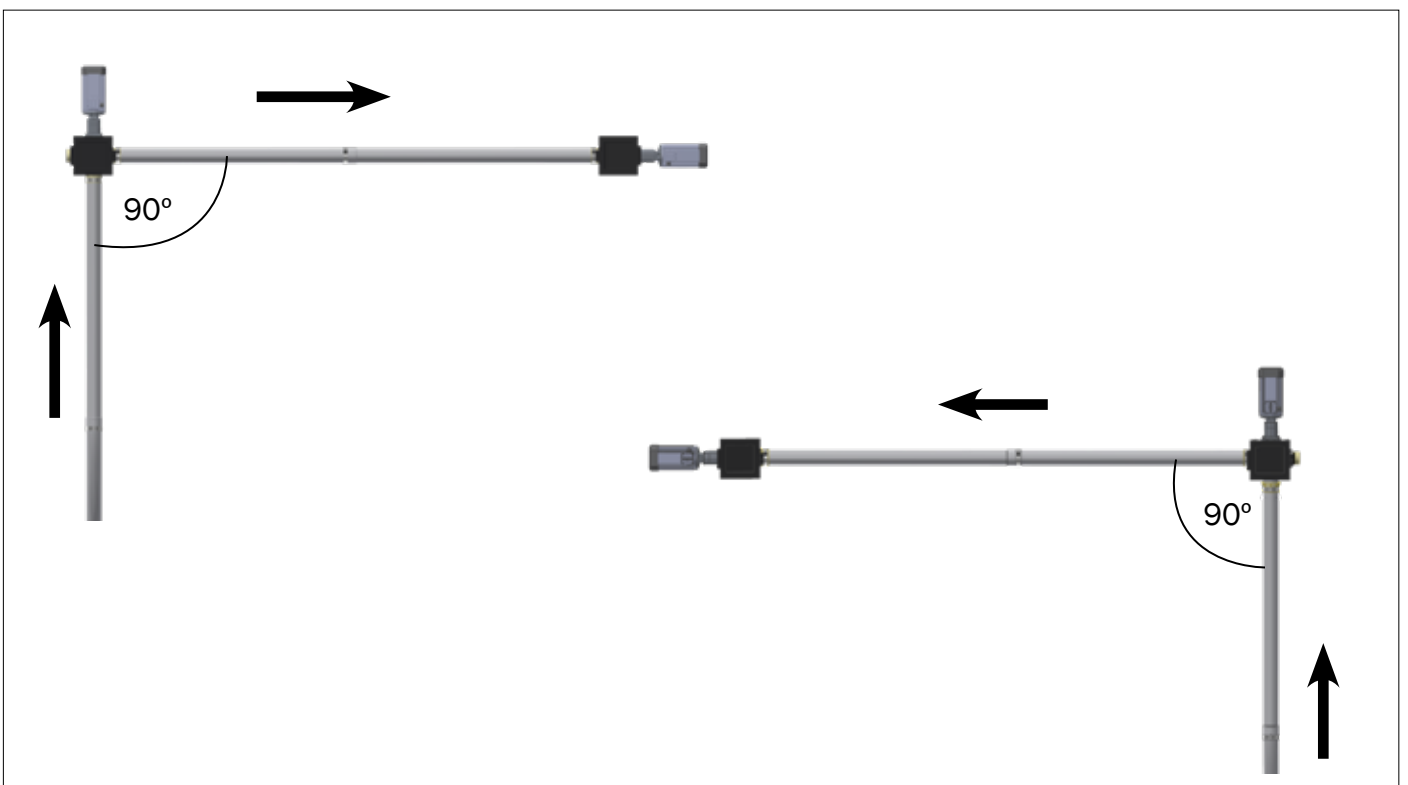


## Assembly instructions

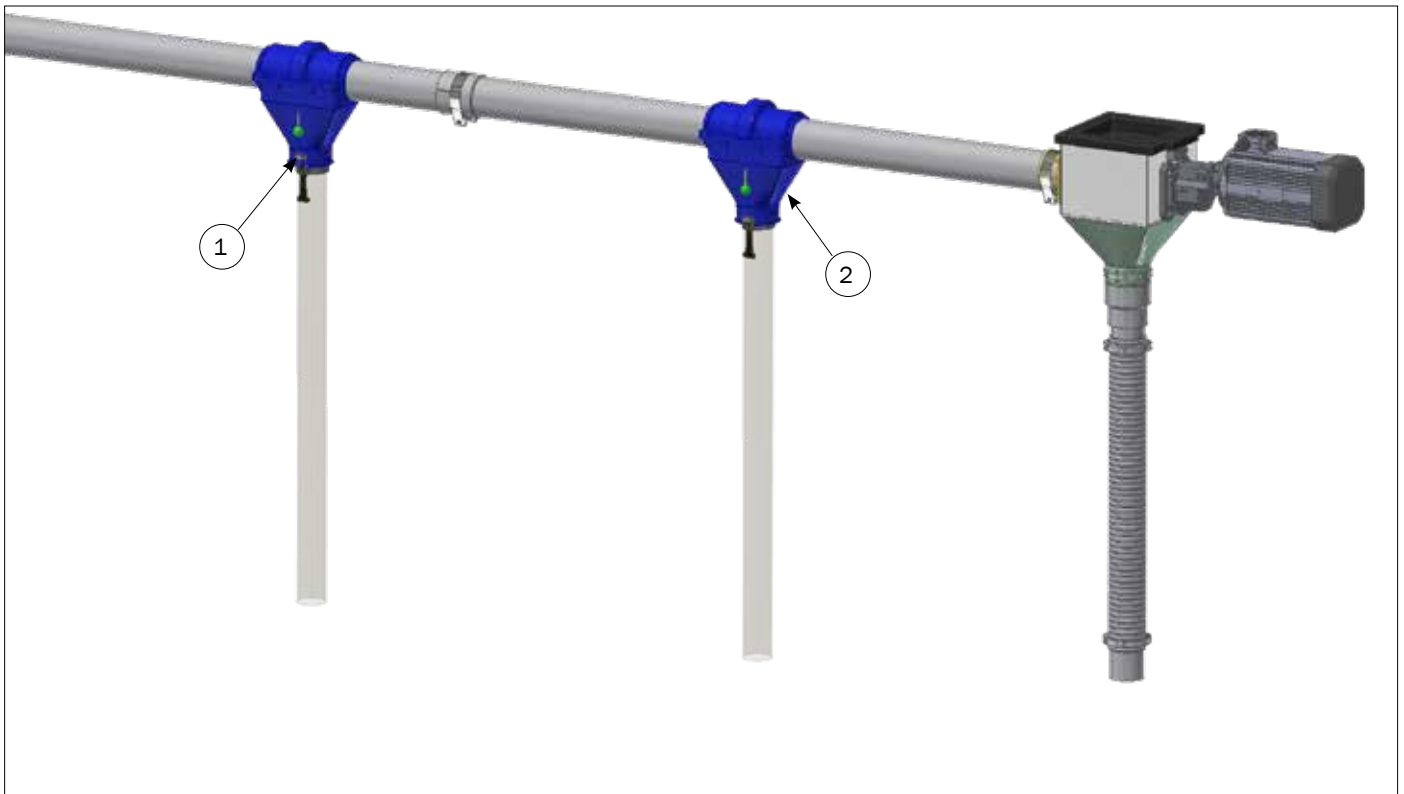
You can use the inlet/outlet either left or right.



With an extension unit, you can rotate line 90° left or right.

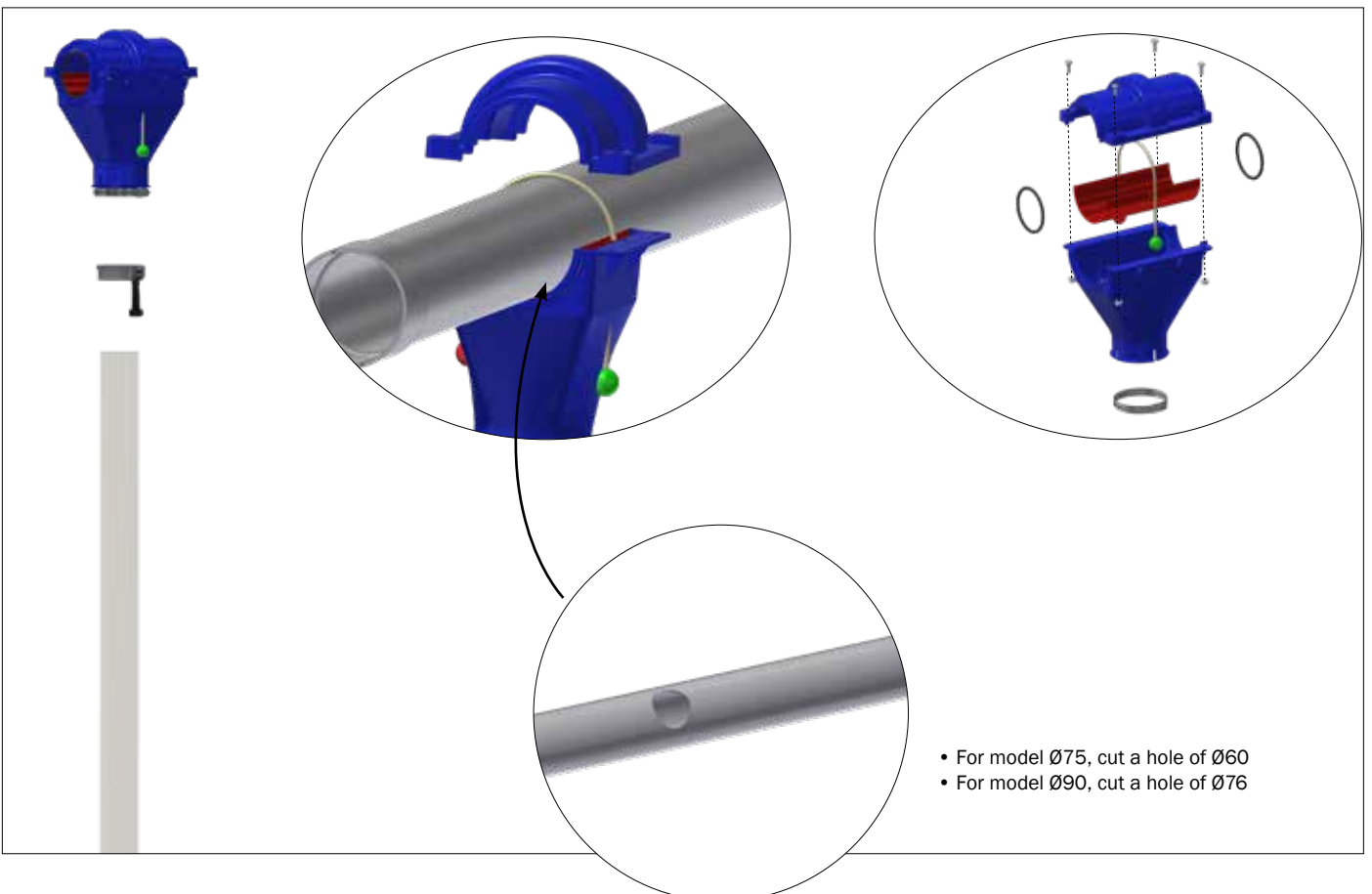


# Assembly instructions

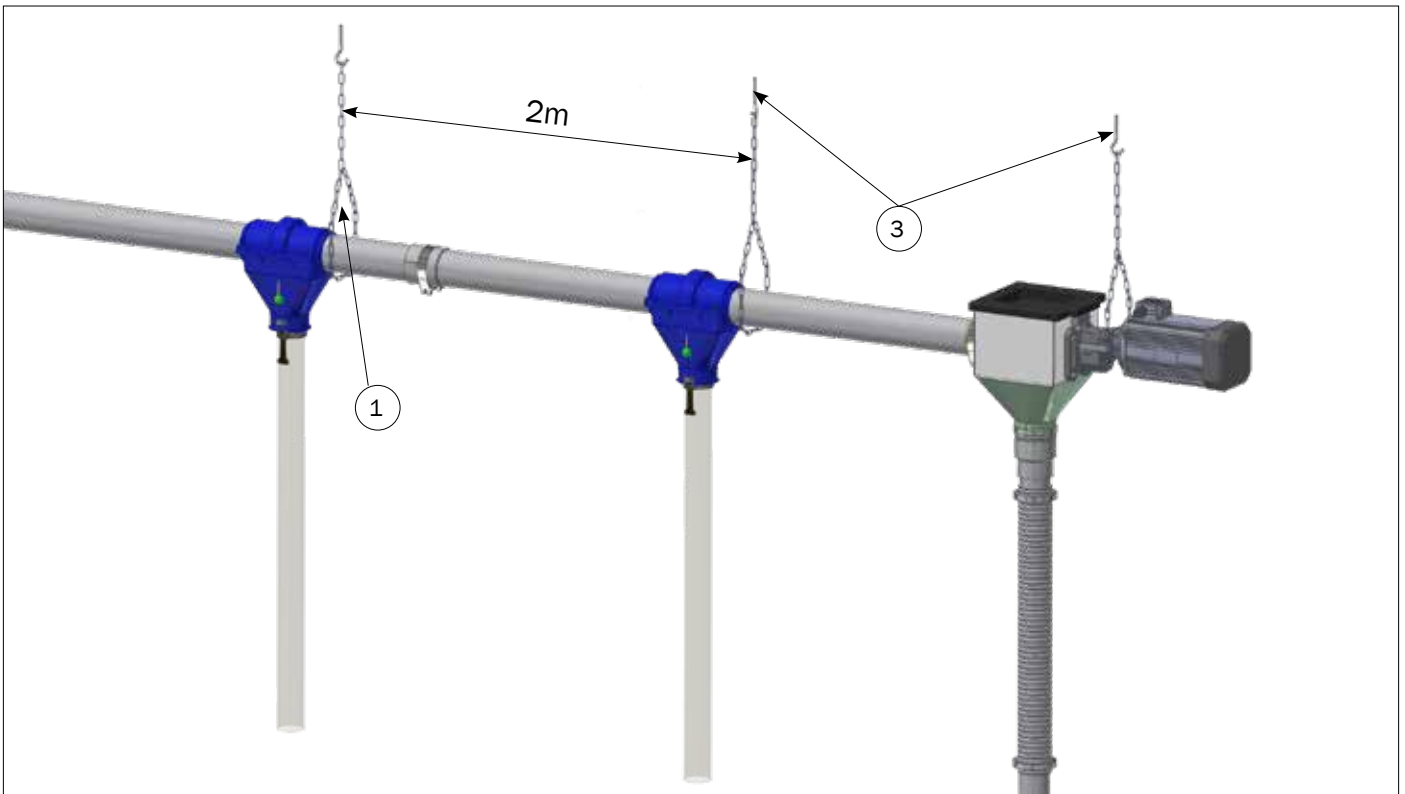


## Parts list

	Part NO.	Description
1	0170-874	PACKAGE NO 7 OUTLET 75 MM
2	0170-889	PACKAGE NO 8 OUTLET 90 MM



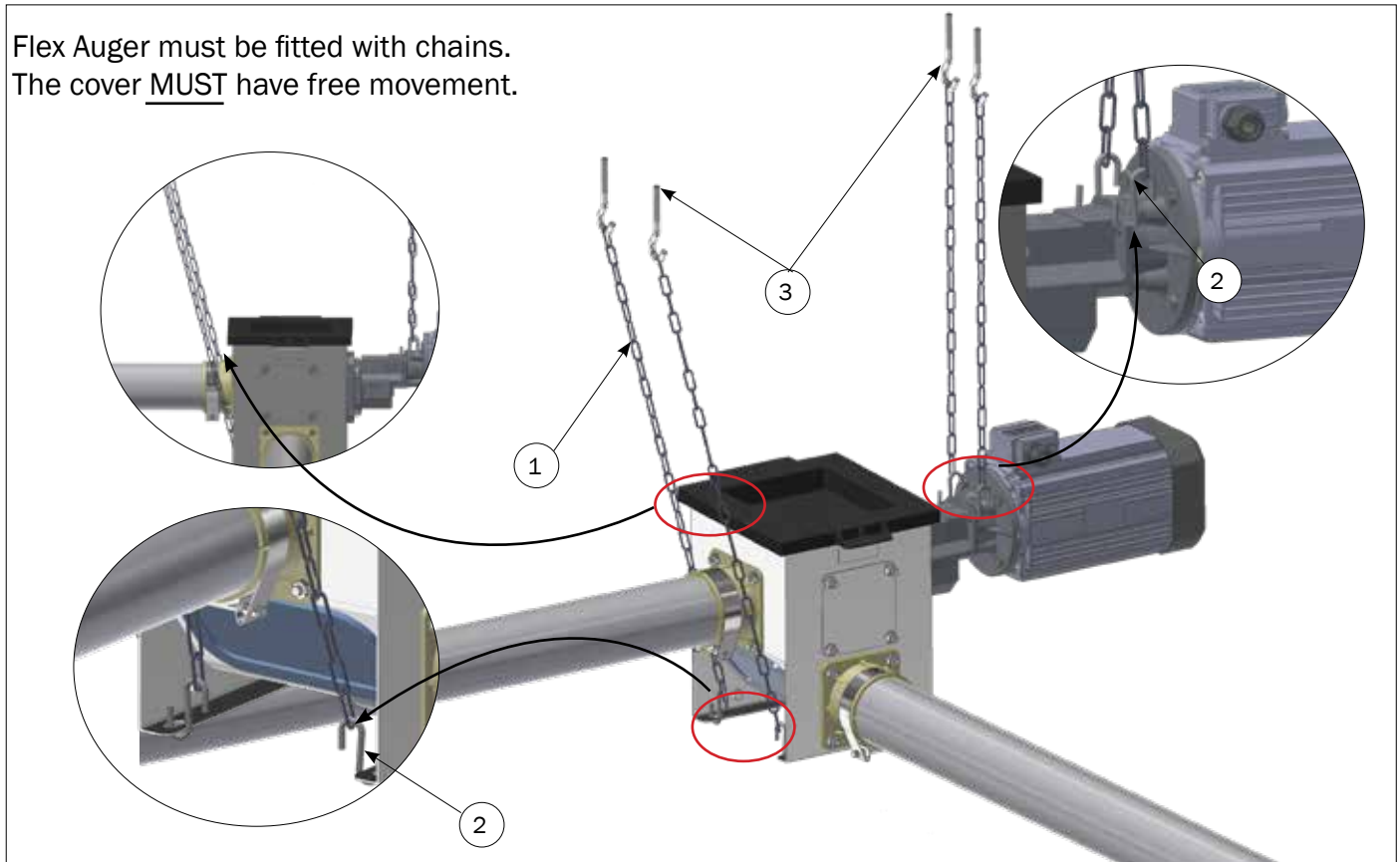
## Assembly instructions



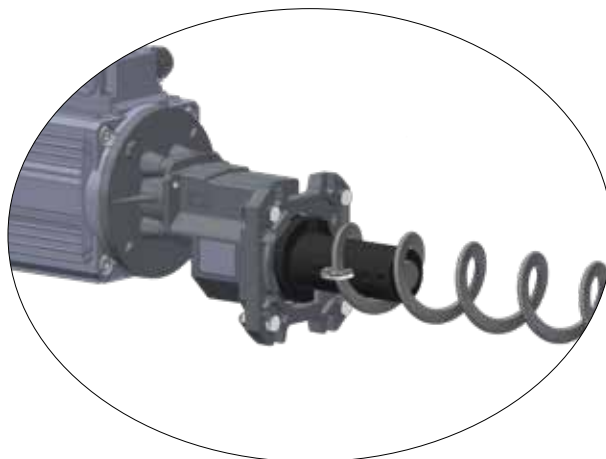
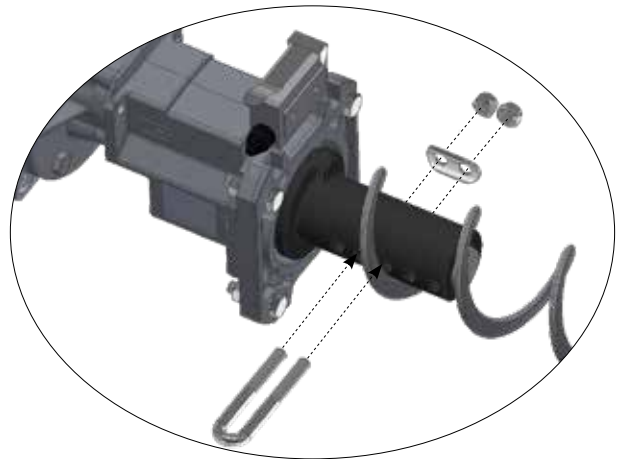
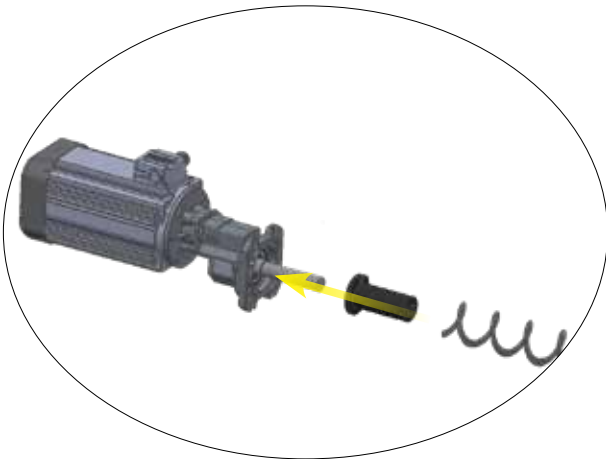
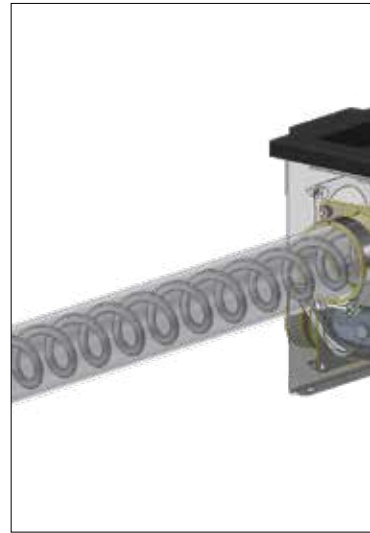
### Parts list

	Part NO.	Description
1	09000024	CHAIN (GALVANIZED) PRICE PER METER
2	39900182	S-HOOK (GALVANIZED)
3	39900180	HOOK M8 X 110 MM A2

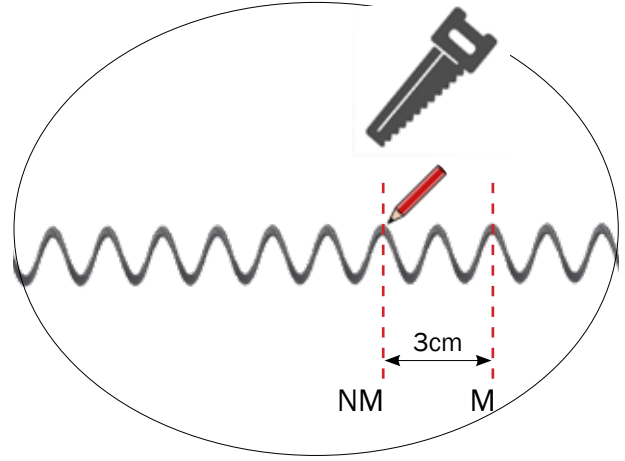
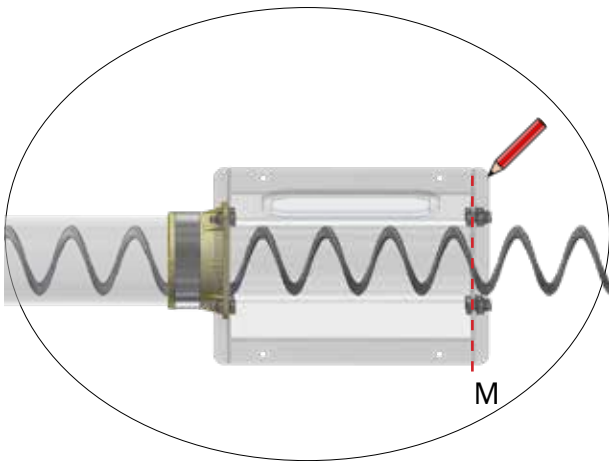
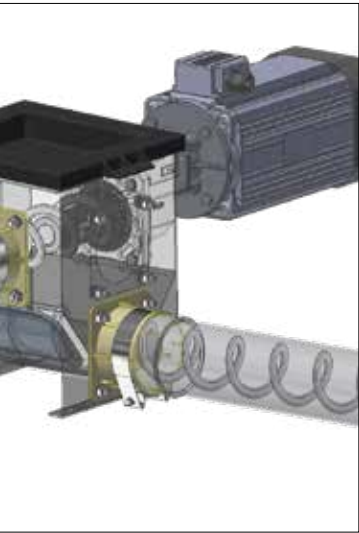
Flex Auger must be fitted with chains.  
The cover MUST have free movement.



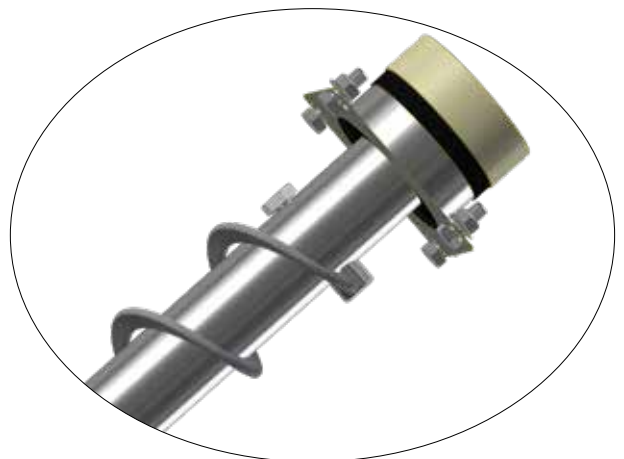
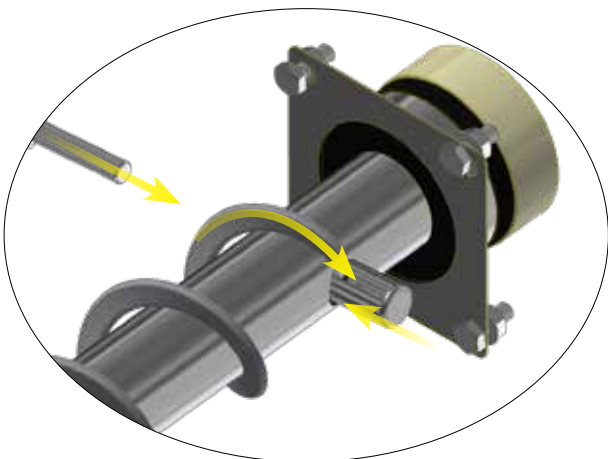
# Assembly instructions



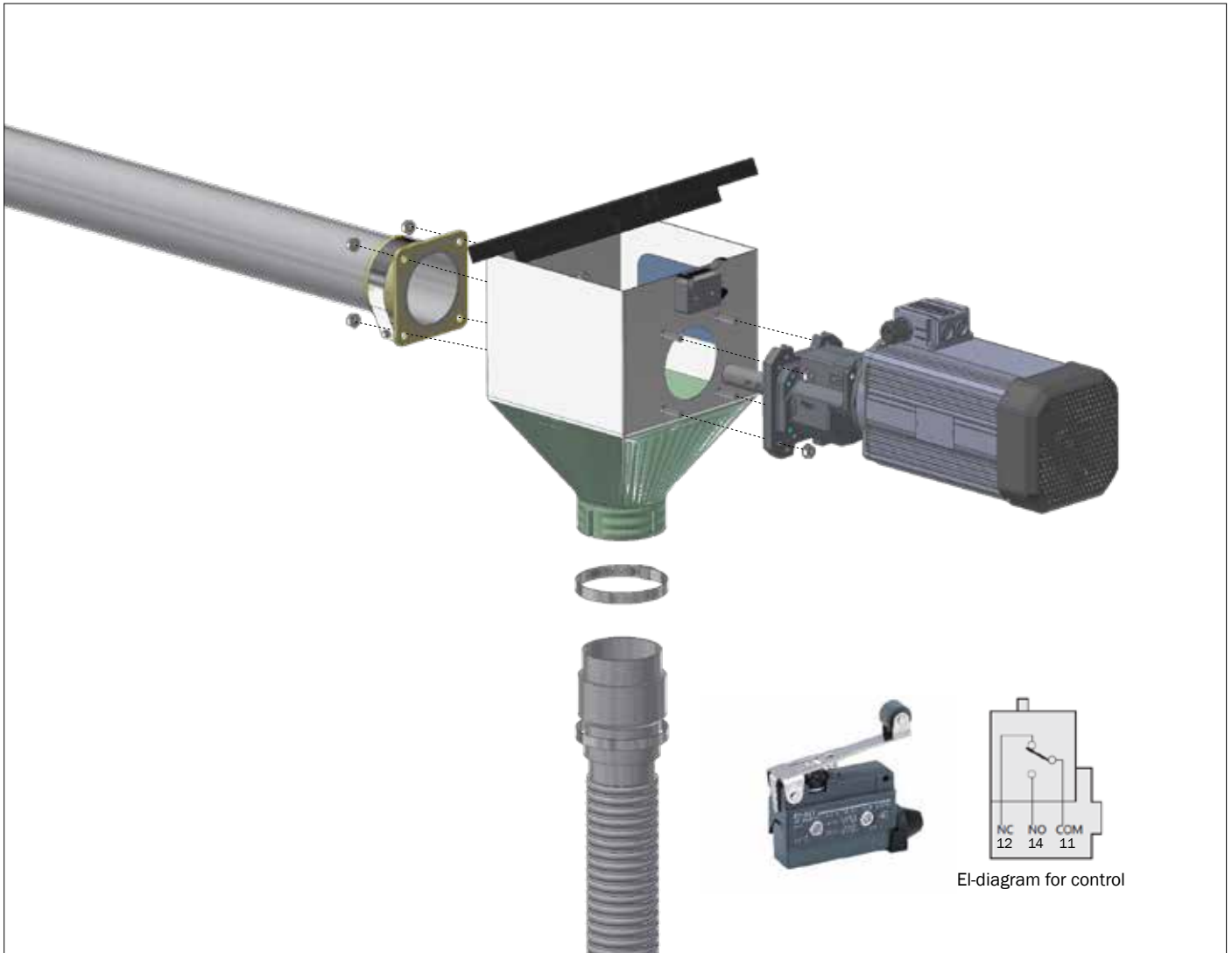
## Assembly instructions



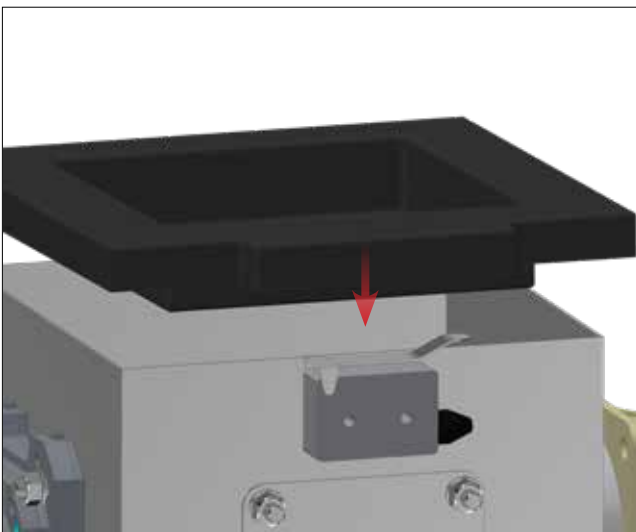
- Insert auger into the tube when the auger is at the bottom - mark the auger (M).
- Pull out the auger and insert a new mark (NM) so that the auger is 3 cm shorter.
- Cut the auger at this new mark.



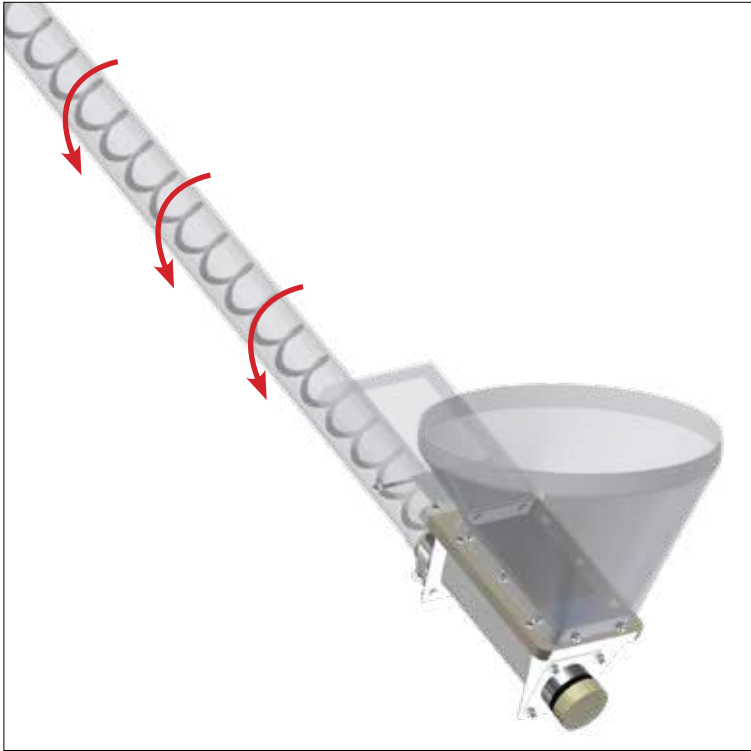
## Assembly instructions



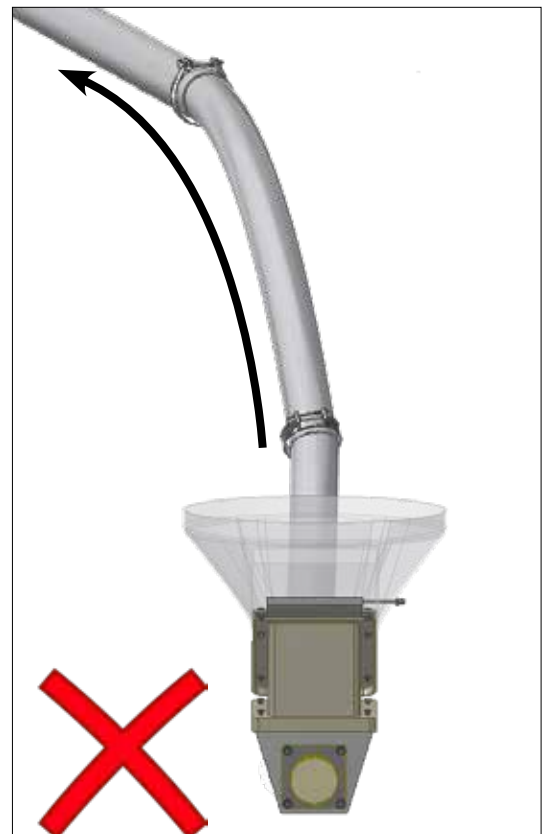
If the lid is opened during operation, the auger will stop. This is to avoid overcrowding as well as for safety reasons.



## Assembly instructions



The auger spiral must always run counter-clockwise, viewed from the inlet.



To minimize wear, turns on strings should always turn to the right.

