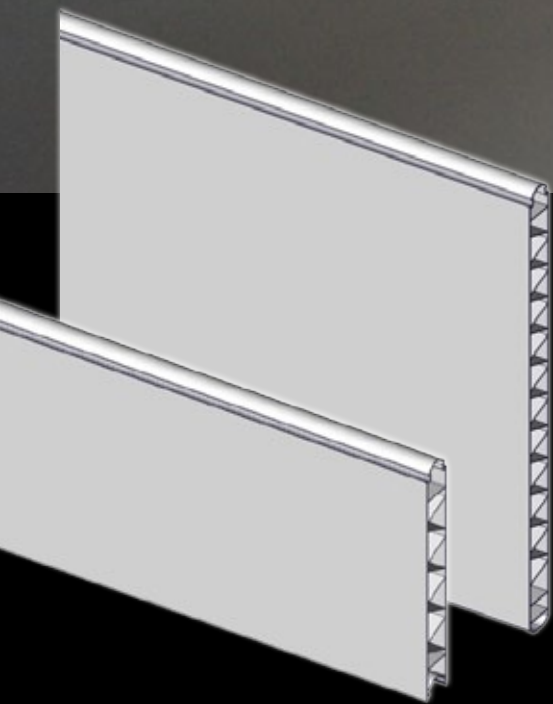




PVC BOARD PROFILES

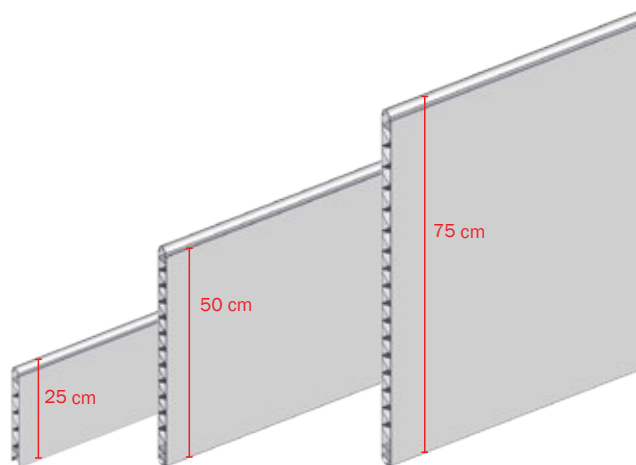
Durable and tight-fitting equipment



- Zig-zag lamellas give a high degree of stability compared to regular panel division
- Virgin, lead-free PVC
- Rubber strip is glued to the upper edge of the panels
- Smart click system - simple and fast mounting
- Tight, strong and smooth surface and rounded bottom - easy to clean

PVC BOARD PROFILES

Durable and tight-fitting equipment



Pressure and twist stable:

35 mm PVC board profiles have zig-zag lamellas that give a high degree of stability compared to regular panel division.

Durable and hard-wearing:

Virgin, lead free PVC.

Tight joints:

Rubber strip is glued to the upper edge of the panels.

Simple and fast mounting:

Smart click system.

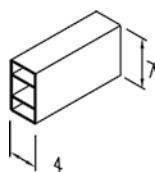
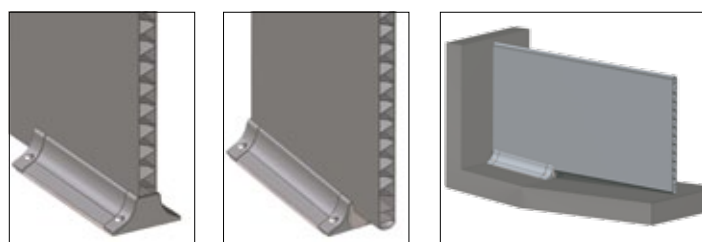
Easy to clean:

Tight, strong and smooth surface and rounded bottom.

Article nr.	Width x Height	Length
35 mm Feder / Not		
30100	35 x 250 mm	6 m
30099	35 x 250 mm	LBM
30103	35 x 500 mm	6 m
30102	35 x 500 mm	LBM
30106	35 x 750 mm	6 m
30105	35 x 750 mm	LBM
40 mm Feder / Not		
8640206	40 x 250 mm	6 m
9340461	40 x 250 mm	LBM
8640506	40 x 500 mm	6 m
9340471	40 x 500 mm	LBM

FLOOR PROFILES FOR 35 MM PVC BOARD PROFILES

The concept contains the floor profiles with foot, that provides a tight transition to the floor, when the profile is bolted to the concrete floor with a concrete screw, pressing the rubber strip to the concrete floor.



Bar profile 70x40, 6 meter

Article nr. 18276

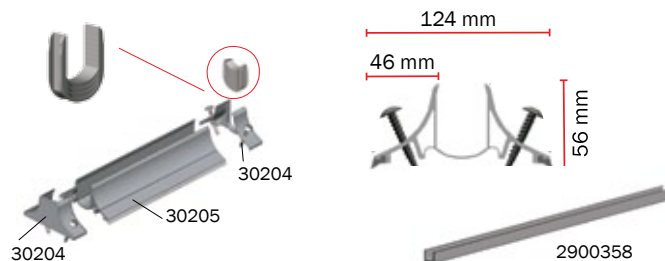
Bar profile 70x40, per meter

Article nr. 17004



Endcap for bar profile 70x40 mm

Article nr. 17005



U-RAILS AND FLOOR PROFILE

Article nr.	Description
30205	Floor profile for board profiles, raw materials
30204	Kit for floor profile with base for board profile, excl.
2900358	U-profile PVC 6,5 meter
39406050	Concrete screw 6,5X50 stainless steel

Subject to changes in materials and design is reserved.

B-6511-GB



ACO FUNKI A/S
Kirkevænget 5
DK-7400 Herning
T. +45 9711 9600
www.acofunki.dk

