



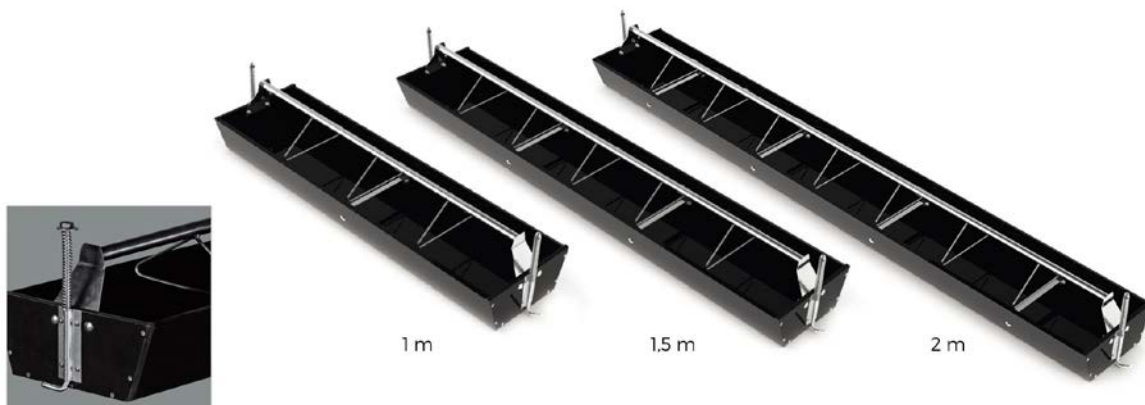
LONG TROUGHS FOR FLOOR FOR PIGLETS

- Trough for dry or liquid feed. Also suitable for water
- Easy fastening to slatted floor with a spring hook
- Separated feeding places ensuring easy access to trough for all animals and preventing animals from stepping into the trough
- Animal-friendly form with no sharp edges
- Easy to clean
- Made of strong materials: Stainless steel or PE
- Available lengths: 1 m, 1,5 m and 2 m

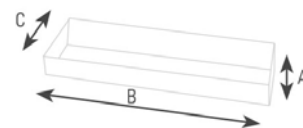
I LONG TROUGHS FOR FLOOR I

For piglets

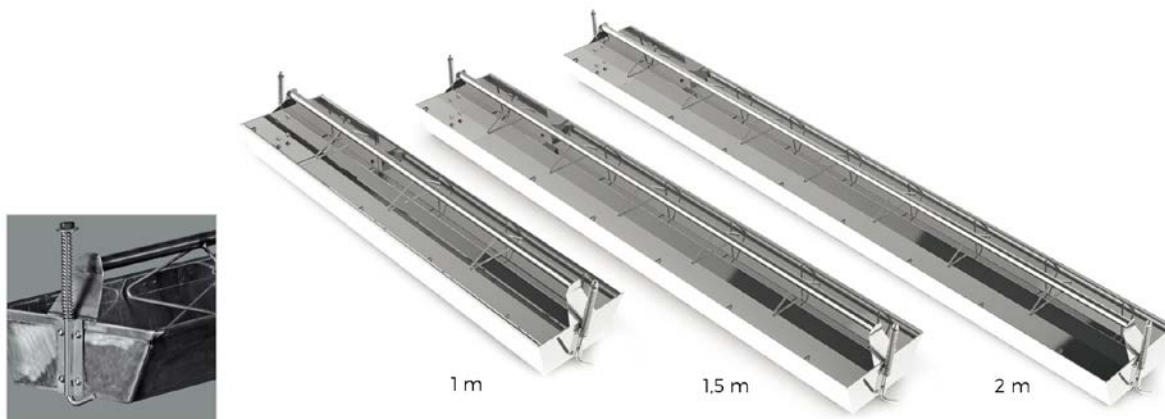
LONG TROUGHS MADE OF STRONG PE AND STAINLESS STEEL



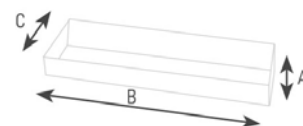
PE TROUGHS				
Item no.	Description	A	B	C
560100	PE TROUGH 1000	110	1000	290
560101	PE TROUGH 1500	110	1500	290
560102	PE TROUGH 2000	110	2000	290



LONG TROUGHS MADE ENTIRELY OF STAINLESS STEEL (AISI 304)



STAINLESS STEEL TROUGHS				
Item no.	Description	A	B	C
560103	STAINLESS STEEL TROUGH 1000	110	1000	290
560104	STAINLESS STEEL TROUGH 1500	110	1500	290
560105	STAINLESS STEEL TROUGH 2000	110	2000	290



Subject to changes in materials and design is reserved.

B-8024-GB



ACO FUNKI A/S
 Kirkevænget 5
 DK-7400 Herning
 T. +45 9711 9600
 www.acofunki.com

