



FUNKI MULTISTRAW

Automatic distribution of straw



- Improves animal's welfare
- Reduces straw consumption by up to 80%
- Capacity from 1 to 10 L
- Increases milk yield
- Better udder health
- Automatic distribution of straw
- Allocation of straw several times a day
- Amount of straw is adjustable per dosing unit
- Improves the working environment
- Increases dry matter content in manure – more efficient biogas production
- Also suitable for other bedding products, e.g. sawdust

| FUNKI MULTISTRAW SYSTEM |

Automatic distribution of straw

Funki MultiStraw transports cut straw by means of the special transport system, controlled by Funki MultiController.

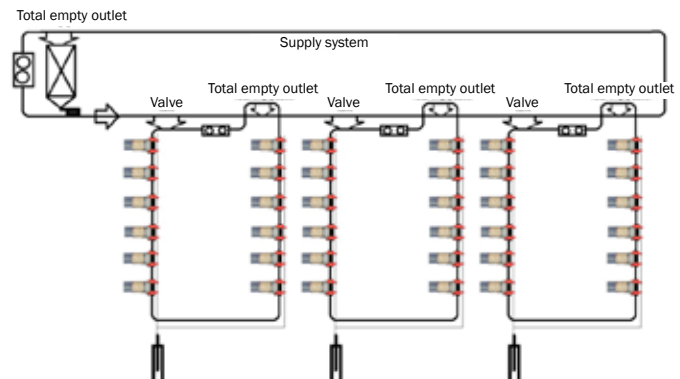
Along with the straw dosing units, this provides a system that can distribute straw at the desired times and amounts during the day.



works with both
straw and
sawdust



You can design the system according to individual needs and farm layout. Each line in the system has a max length of 400 meters, and it is possible to design the system in several lines according to the farm layout. In the different parts of the system, it is possible to have up to 5 different automatic dosing strategies.



- Straw humidity of max 14%
- Straw length maximum 40 mm
- Option for chopping and tearing equipment
- Option to use other bedding products, e.g. sawdust



| FUNKI MULTISTRAW SYSTEM |

Automatic distribution of straw



Biogas

The use of chopped straw increases the dry matter percentage in the manure. This provides better settlement of the manure and increases the gas production.



Britt Brøchner-Nielsen, one of our customers, has experienced increased health conditions in the farm, and the system has been running smoothly and without any types of errors since commissioning of the system.

- Her animals lie down for longer intervals and the stable is generally quieter.
- Milk yield increased since installation of the system.
- Cell count is kept at a steady, low level.
- The animals stress less and the automatic straw distribution causes no disturbance.
- Saves around 45 minutes manual labour per day



"We used to do it the old fashion way, with wagon and shovel. Now, we have a Funki straw system. It saves us about 4 work hours every week and now we don't have any dust nuisance."

Scan the QR-code and learn more about Britt's experience with Funki Multistraw system:



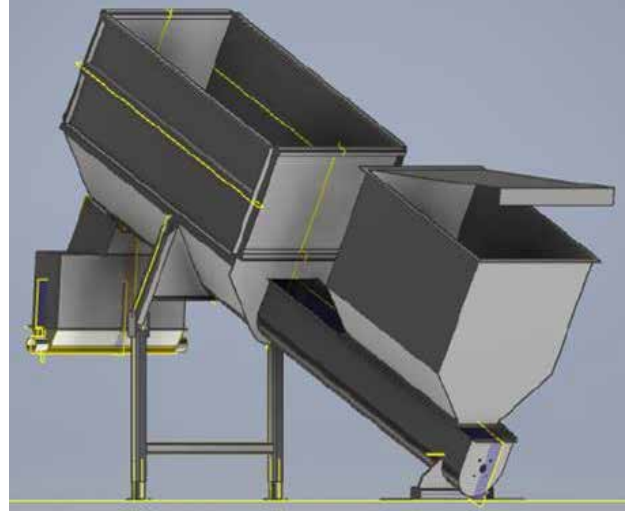
| FUNKI MULTISTRAW SYSTEM |

Straw rivet

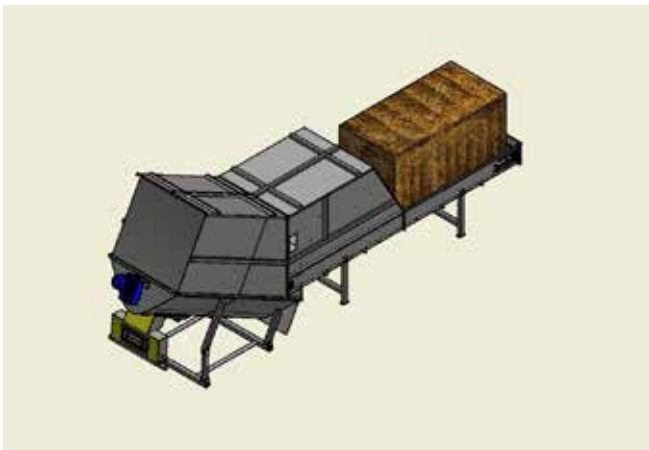


Straw rivet

- Different solutions
- Fully automatic
- Suitable for both big and round bales
- Simple and reliable
- Possible to use own straw
- Time saving
- Closed system that reduces dust nuisance

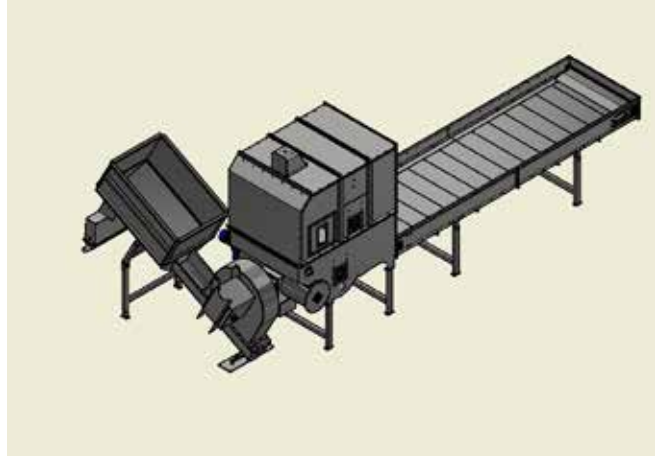


Solution with manual filling of container. It is simple and reliable. Suitable for filling with bedding, which is cut from external straw rivets and which can be purchased in sacks or loose.



Automatic solution for prechopped big bales. It is well suited for filling with big bales, which are cut with a maximum length of 40 mm.

Demolition and filling are done automatically. Band length can be increased as needed in stages of 2.5 meters.



Automatic solution for big and round bales. There are built-in straw rivets, automatic tearing and filling. Here it is possible to use your own straw bales. Band length can be increased as needed in stages of 2.5 meters. Secured with sprinkler systems.

Subject to changes in materials and design is reserved.

B-8041-GB

ACO FUNKI A/S

Kirkevænget 5

DK-7400 Herning

T. +45 9711 9600

www.acofunki.com

