



INN-O-PLUG

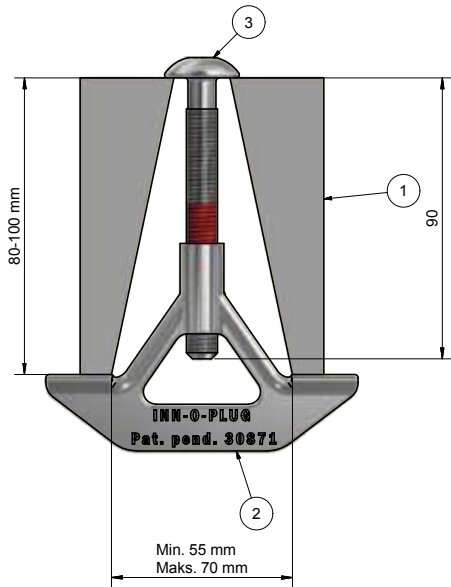
T-bolt

- Round head screw, that prevents pigs from damaging
- Cast stainless materials provides high performance and durability
- Well-tested product
- Tool to use is Torx 50

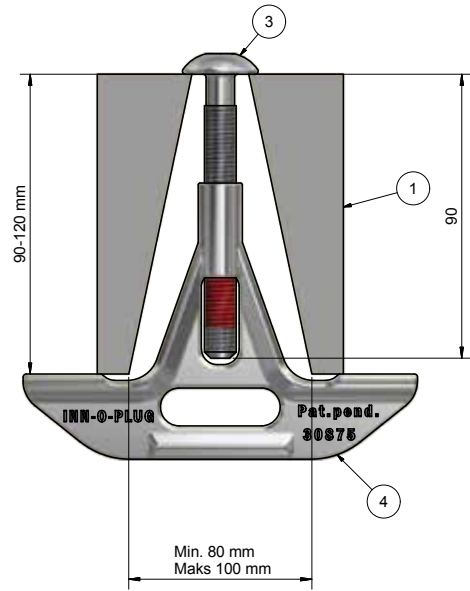
INN-O-PLUG

T-bolt

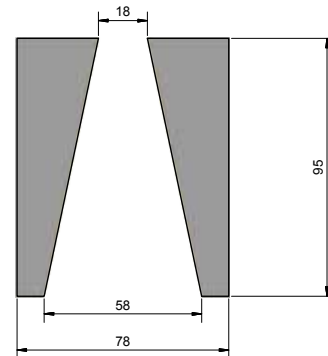
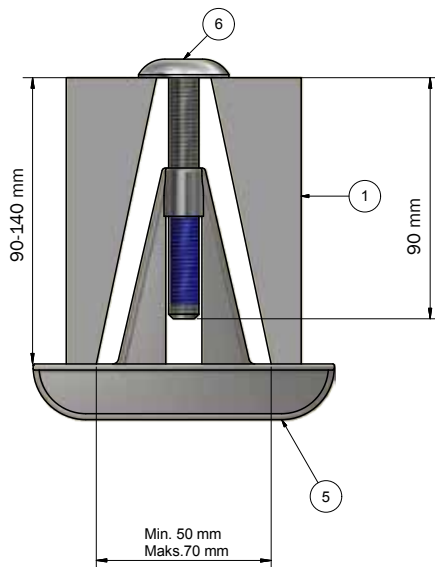
Tested to a pull of 1,9 Tons
Tightened with 80 Nm



Tested to a pull of 1,8 Tons
Tightened with 50 Nm



Tested to a pull of 2,3 Tons
Tightened with 100 Nm



PARTS LIST

Nº	Qty	Article no.	Description
1	3	slat profile	
2	1	30871	Inn-o-Plug 80 - 100 mm
3	2	30872	Button Head, Torx 50, M10x90
4	1	30875	Inn-o-Plug 100 - 120 mm
5	1	90100078	T-bolt M10
6	1	30310080	Button Head, Torx 50, M10x90

Subject to changes in materials and design is reserved.

B-8520-GB