



INVESTIGATION & MANIPULATION MATERIALS

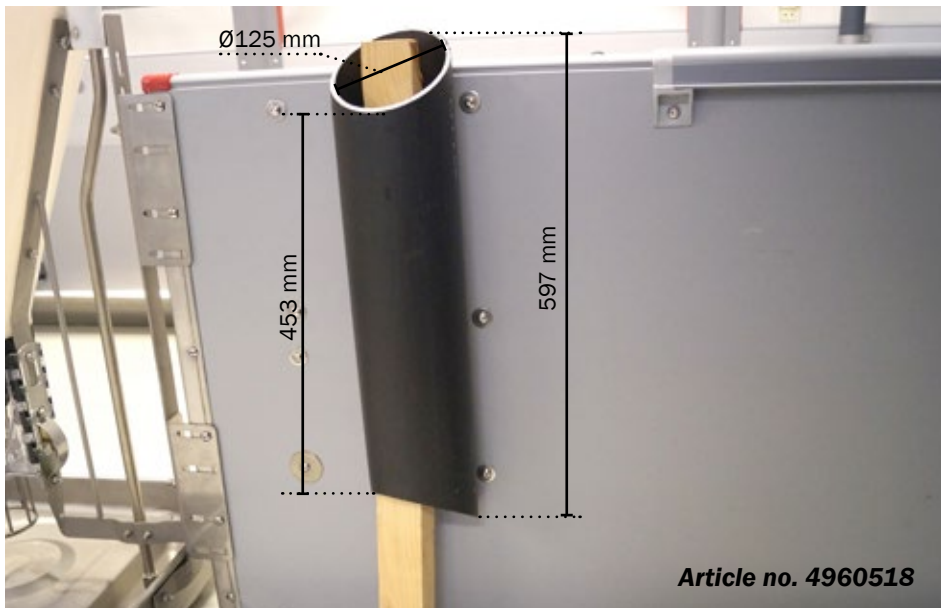
- Meets Danish requirements to investigation and manipulation materials
- Meets the pigs' needs for feed digging and investigation behavior
- Used to minimize the risk of tail biting
- Easy to mount
- Quick and easy replacement of wooden sticks

INVESTIGATION AND MANIPULATION MATERIALS

To meet the pigs' needs to investigation behaviour

Pigs investigate their surroundings by performing digging, sniffing, biting and chewing movements. Therefore, a lack of investigation and manipulation materials can adversely affect the behavior of the pigs. Some weaners and finishers develop tale biting behavior that is related to their current motivational state.

Therefore, the current Danish legislation set up the minimum standards for the protection of pigs (pig farming). According to the current rules, "pigs must have permanent access to a sufficient quantity of material to enable proper investigation and manipulation activities"



Article no. 4960518

LAW AND RULES*

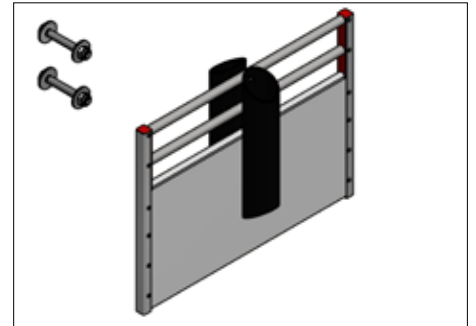
- The wooden piece has a movement area corresponding to placing 3 pieces of wood in the holder at the same time.
- The diameter of the holder or shortest side is at least 10 cm.
- The underside of the holder is located at least 25 cm above the floor level.

THERE ARE ALSO FOLLOWING REQUIREMENTS:

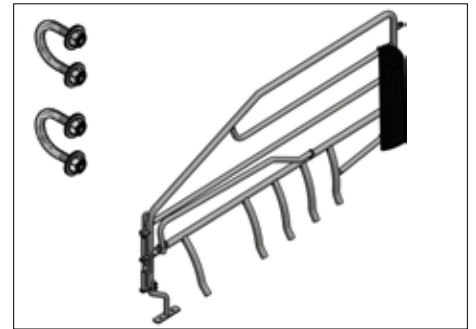
- The materials must be of a hard wood type (e.g. pine, fir, birch, poplar) and adapted to pig size.
- There must be at least 40 cm between two holders.

*According to the Danish Veterinay and Food Administration.

Subject to changes in materials and design reserved.



Manipulation materials for weaners and finishers



Manipulation materials for farrowing pens

RECOMMENDED QUANTITY*

1-9 pigs	One piece of material that meets the need for investigation and manipulation materials.
10-18 pigs	Two pieces of material that meets the need for investigation and manipulation materials.
>18 pigs	Minimum the same quantity as in pens with 9-18 pigs.