



VD2 FEED DISPENSER

Available with capacity of 6, 8 or 10 litres

- Minimum maintenance
- Constant overview
- Accurate dosage - easy adjustment
- Automatic distribution
- No dust problems
- Flexible and stable installation



| VD2 FEED DISPENSER |

Available with capacity of 6, 8 or 10 litres

Minimum maintenance

The VD2 feed dispenser is made of plastic, providing long life and minimum maintenance.

Constant overview

The look-through container ensures precise overview and complete control of the feed distribution to the pen. The cylindrical shape ensures free airflow with no risk of downdraught.

No dust problems

The sealed construction prevents dust problems and contamination from outside the system.

Accurate dosage - easy adjustment

The VD2 feed dispenser is easy to adjust manually with the adjustment handle on the side of the container, ensuring accurate dosage even of small feed quantities.

Automatic distribution

The VD2 feed dispenser is released fully automatically by means of the FunkiFeed control unit, ensuring an accurate opening and closing function on each volume dispenser.



VD2 Ø60 FEED DISPENSER WITH FLAP:

6 liter with Ø75 mm outlet	0221-252
8 liter with Ø75 mm outlet	0221-253
10 liter with Ø75 mm outlet	0221-254

VD2 feed dispenser is used for Ø60 mm system. However, you can adjust the VD2 feed dispenser to Ø38, Ø50 and Ø55 systems by means of the special adapters:



**Connection set VD2
Ø60/Ø38**

Article nr. 0131-191



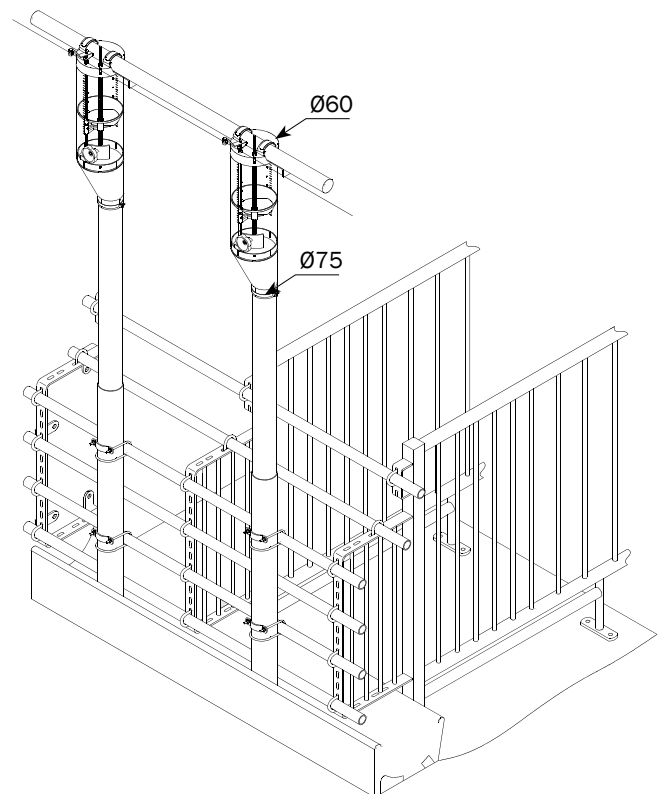
**Connection set VD2
Ø60/Ø50**

Article nr. 0221-400



**Connection set VD2
Ø60/Ø55**

Article nr. 0221-401



Subject to changes in materials and design is reserved.

B-0903-007-GB



| FUNKI |

ACO FUNKI A/S

Kirkevænget 5
DK-7400 Herning

T. +45 9711 9600

www.acofunki.com

www.egebjerg.com



FUNKI | EGBJERG