



## COMBI-FEEDER

Weaning in the farrowing pen



- Can be used for both nursing sows and weaned pigs
- Easy adjustment by means of pendulum in the tube bottom
- Pigs stay in the familiar environment up to 30 kg
- + 50 g higher weight gain for piglets
- Lower costs, as pigs use the same feeding system
- Less diarrhea
- No additional zink in the feed mix
- Save a wash, as the weaners stay in the farrowing pen

# COMBI-FEEDER

Higher weight gain - lower costs...

COMBI-feeder can be used for both nursing sows and weaners, and is the most useful in the farrowing pens for loose sows, where the sow is moved while the weaners stay in the pen. The system works by means of the pendulum in the tube bottom being removed during the lactating period, so that the feed falls down directly through the tube, and the feed is dosed in a mounted feed dispenser. When the sow is moved, the weaners eat from the trough without water and with the mounted pendulum, so that the pigs should activate the pendulum to get the feed.



The feeder with pendulum for weaned pigs' feeding

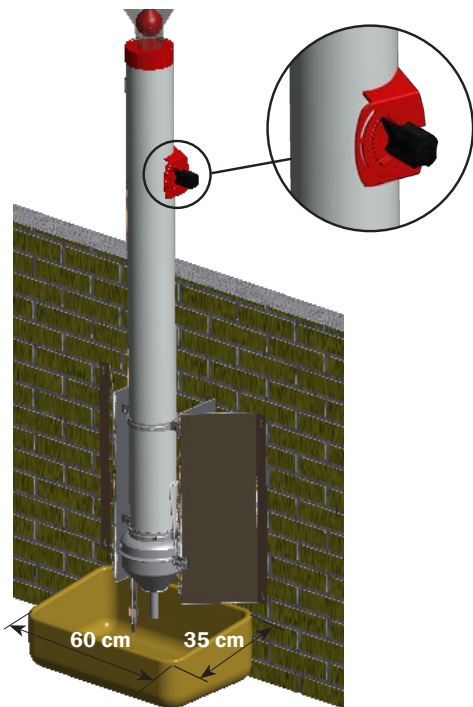
The first production results based on two groups with about 100 pigs each, shows respectively 480 and 455 g per day of the 40 days weaning period. The national average for productivity was the daily gain at 441 g in 2013.\*

\*Source: SEGES, Danish Pig Research Center

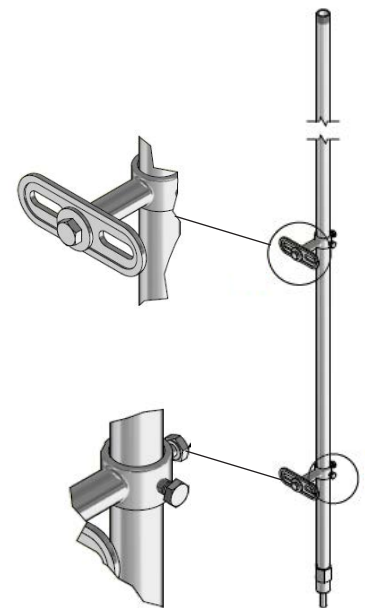
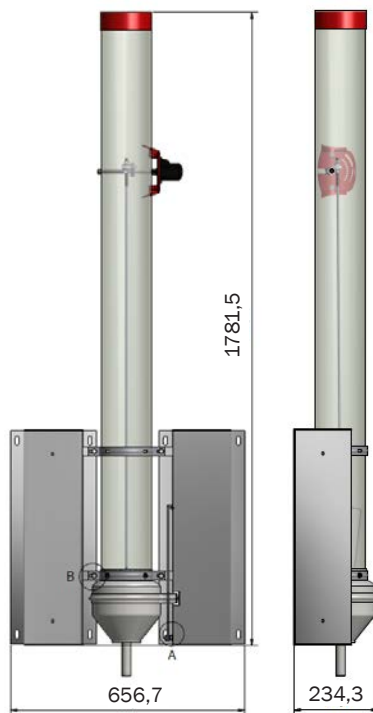


The feeder without pendulum for sows' feeding

The weaners get water through the separate water valves. It means that the sow and the weaners use the same feeding system, which helps to reduce the costs. Furthermore you can save on washing, if the pigs stay in the farrowing pen.



0227-495 COMBI-feeder, complete



0227-480 Water pipe for COMBI-feeder

Subject to changes in materials and design is reserved.

B-1037-GB



ACO FUNKI A/S  
Kirkevænget 5  
DK-7400 Herning

T. +45 9711 9600  
www.acofunki.com  
www.egebjerg.com



FUNKI | EGEBJERG