

## **BOX FEEDER**

With INOX trough and front

- INOX 400 Front
- INOX 304 Trough
- Main frame made of strong PE material
- Accurate multi staged regulation
- Highly resistant
- Excellent value for money

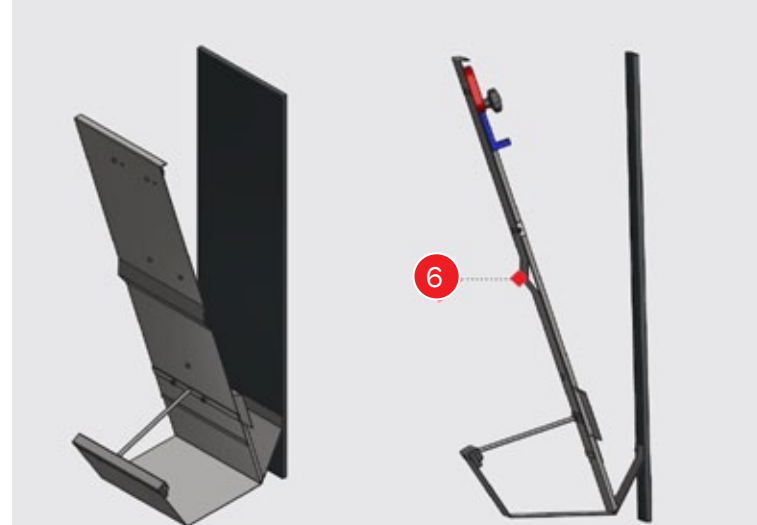
# BOX FEEDER

With INOX trough and front

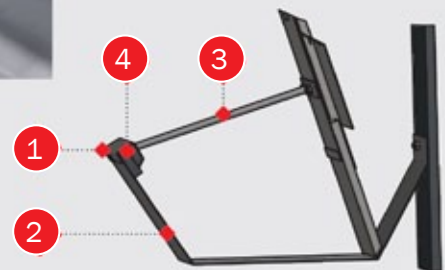
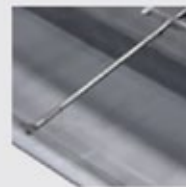
- 1 Box feeder
- 2 Extended INOX front edge of trough, preventing excessive feed spilling
- 3 INOX 304 trough
- 4 Metal bar separates feeding places  
Metal frame clamped on trough plate (prevents feed stuck)
- 5 Separate spaces in feeders for weaners to prevent small animals from getting trapped
- 6 Additional reinforcement of front wall

Article No.	Model	Qty pigs	Width, mm	Height, mm	Depth, mm
<b>Finishers (30-125 kg) - Single version</b>					
560062	AP2T	20	602	990	400
560063	AP3T	30	997	990	400
560064	AP4T	40	1182	990	400
560065	AP5T	50	1472	990	400
<b>Finishers (30-125 kg) - Double version</b>					
560072	AP2T/2	40	602	990	800
560073	AP3T/2	60	997	990	800
560074	AP4T/2	80	1182	990	800
560075	AP5T/2	100	1472	990	800
<b>Weaners (7-45 kg) - Single version</b>					
560042	AP2W	20	408	740	310
560043	AP3W	30	609	740	310
560044	AP4W	40	808	740	310
560045	AP5W	50	963	740	310
560046	AP6W	60	1208	740	310
<b>Weaners (7-45 kg) - Double version</b>					
560052	AP2W/2	40	408	740	620
560053	AP3W/2	60	609	740	620
560054	AP4W/2	80	808	740	620
560055	AP5W/2	100	963	740	620
560056	AP6W/2	120	1208	740	620

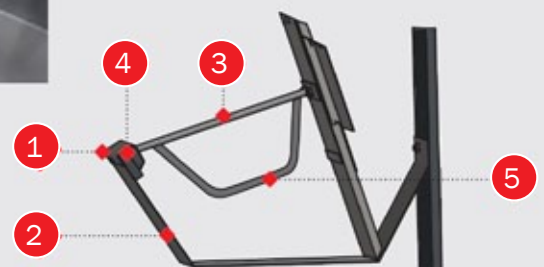
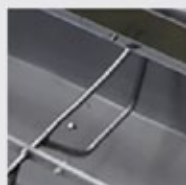
Subject to changes in materials and design is reserved.



## FINISHERS VERSION



## WEANERS VERSION



B-1050-GB