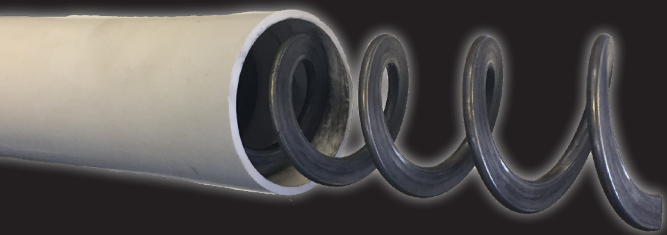




FLEX AUGER

For all types of dry feed

- Reliable system made of strong materials
- Adjustable length
- Flexible capacity
- Can be used for all types of dry feed
- Switch-off contact in case of overload
- Biosecurity solution



| FLEX AUGER |

For transportation of dry feed

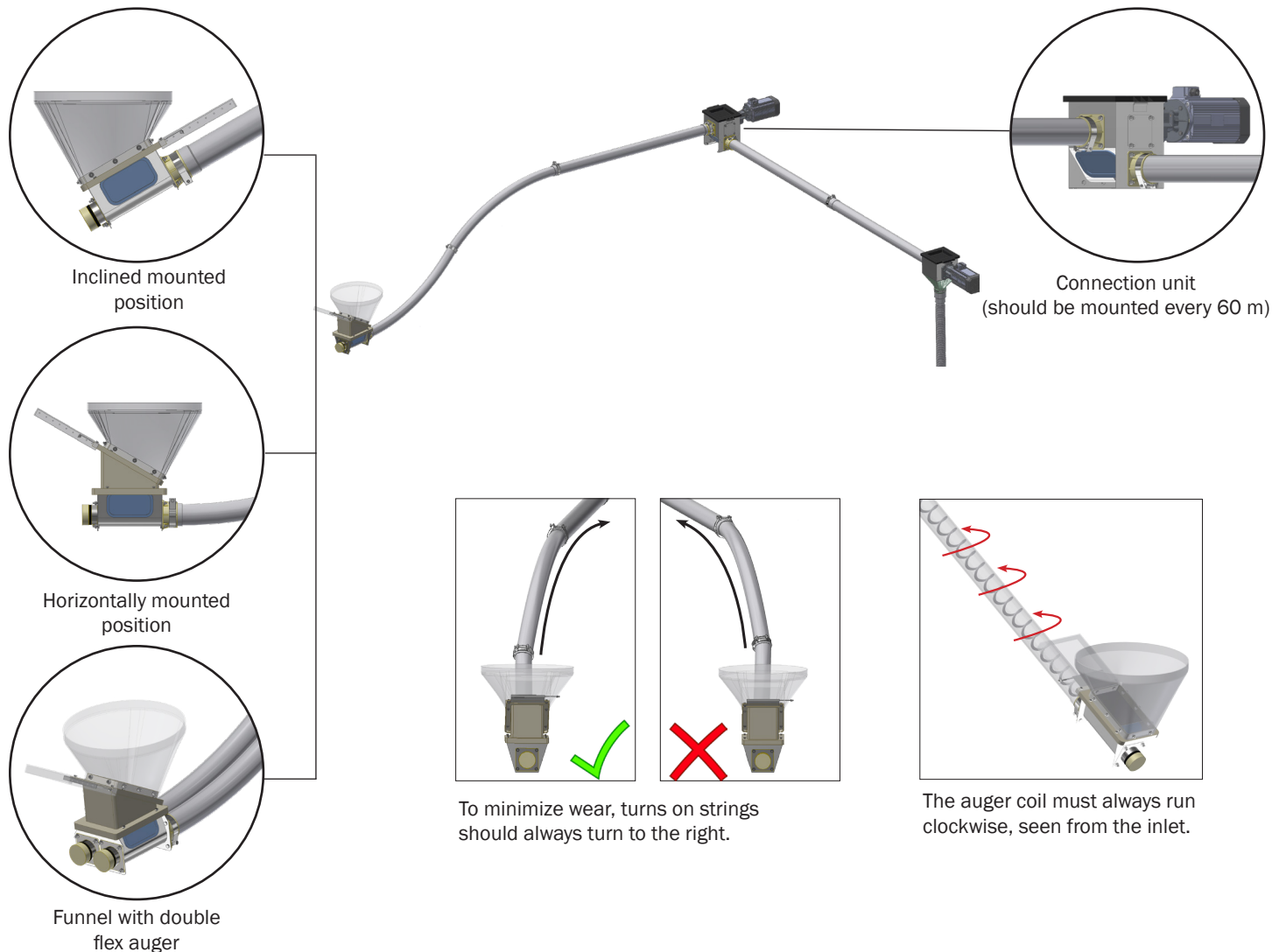
Flex Auger is a transport system for delivering feed from a silo to a barn and for feed transportation inside the barn. The system is strong and reliable due to the stainless steel material and special construction.

The Flex Auger can be used along with a feed chain system or you can distribute feed directly by means of flex auger. The feed comes from the clear funnel under the silo.



FACTS

Max length	120 m with connection unit
Engine	1,5 kW, waterproof (IP66 approved)
If overload	Switch-off contact
Corner turns	90° with connection unit



FLEX AUGER

Durable and flexible

FUNKI FLEX AUGER:

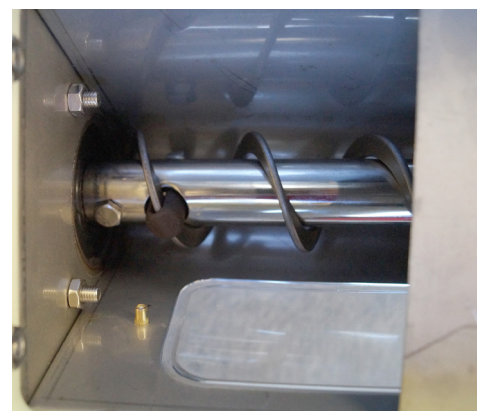
- **CAPACITY**
With Funki Flex Auger you can transport from 970 kg (Ø75) and up to 1850 kg (Ø90) feed per hour.
- **VARIOUS SOLUTIONS**
You can choose between single and double. Both options are available with either 75 mm or 90 mm.
- **OUTCOME**
The standard funnel has two outcomes, but the special solutions can have up to four outcomes.
- **BIOSECURITY**
Flex Auger helps to keep trucks away from the houses, thus improving biosecurity on your farm.

TYPE	CAPACITET*
Ø75	970 kg
Ø90	1850 kg

* The capacity can vary depending on the length, amount of bends and feed type.

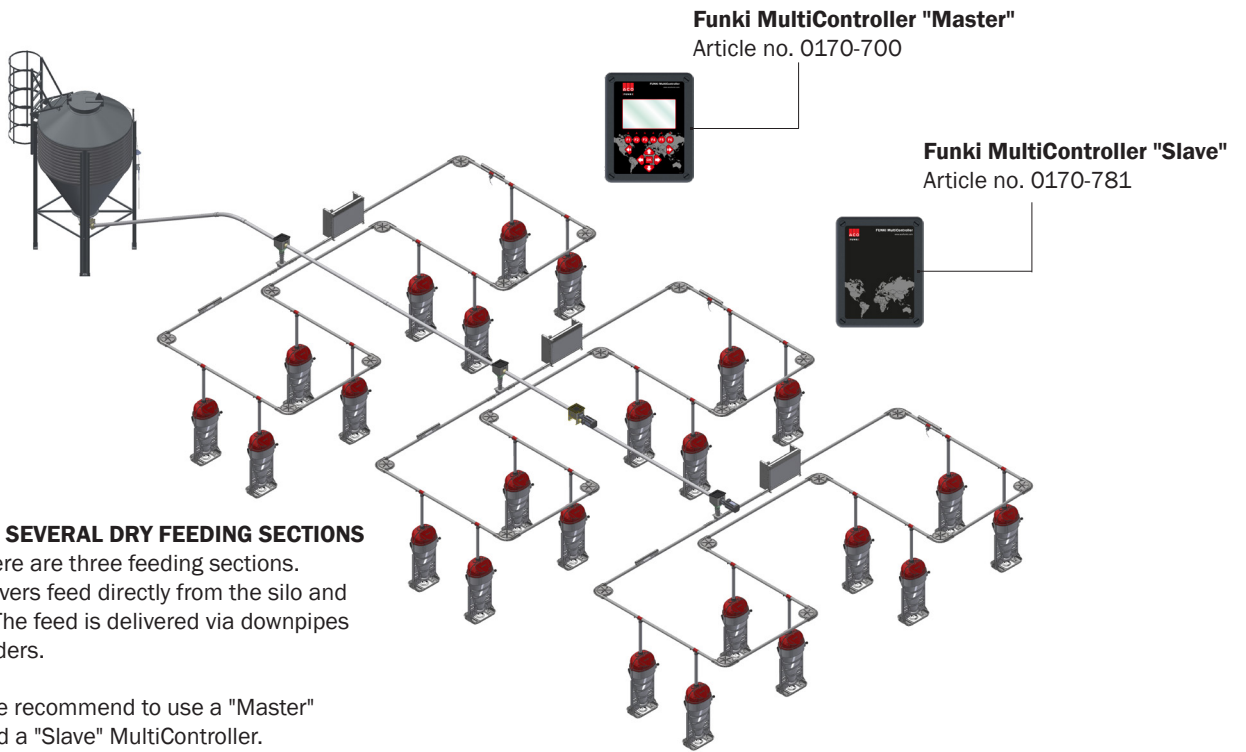
STANDARD SOLUTIONS

Item no.	Flex Auger Type
0170-879	75 MM
0170-847	DOUBLE 75 MM
0170-899	90 MM
0170-849	DOUBLE 90 MM



FLEX AUGER

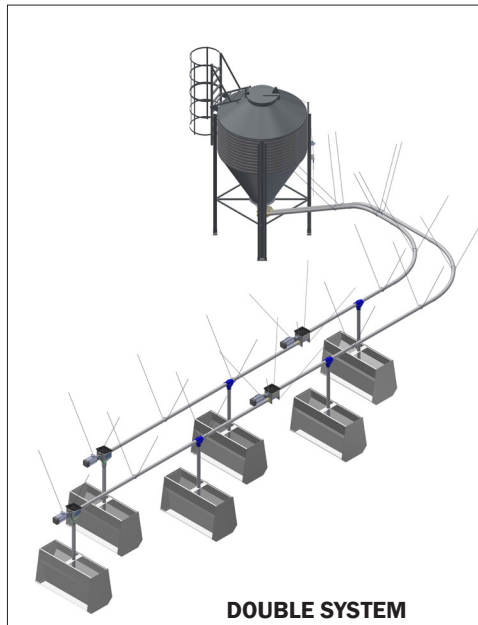
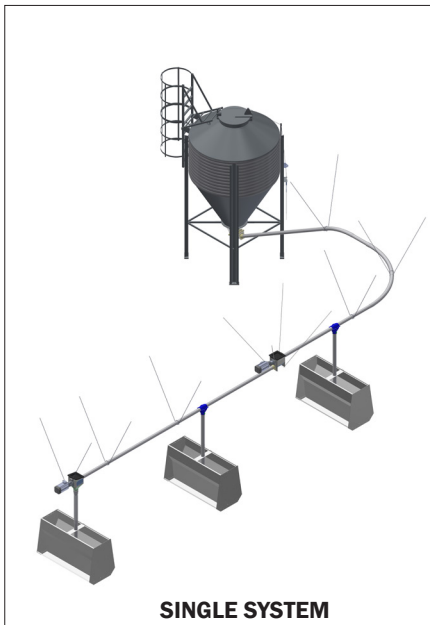
Design options



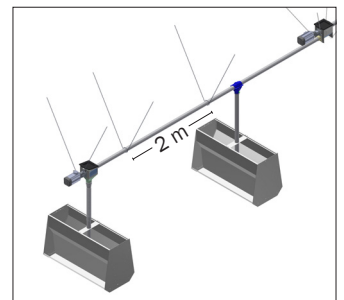
FLEX AUGER FOR SEVERAL DRY FEEDING SECTIONS

In the drawing, there are three feeding sections. The flex auger delivers feed directly from the silo and around the barn. The feed is delivered via downpipes to TURBOMAX feeders.

For this system, we recommend to use a "Master" MultiController and a "Slave" MultiController.



Flex auger can deliver feed directly into Box Feeders.



For better stability, we recommend to place the suspension chains every two meters.