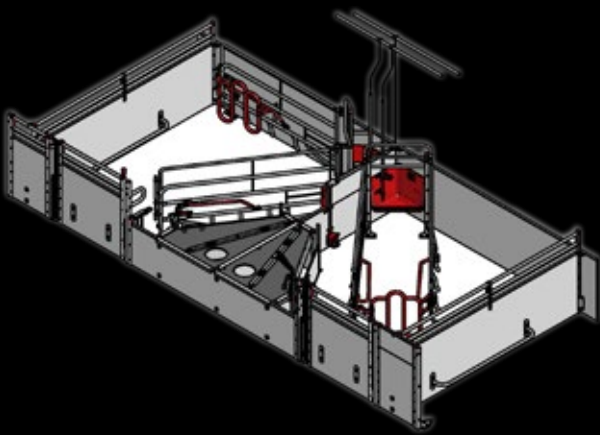




## WELSAFE

### Space-saving farrowing pen

- WELSAFE is our unique farrowing pen for loose sows
- Can be built into existing stalls
- Inspection access between the farrowing crate and the piglet nest - not necessary for employees to come in to the sow
- Good space for milking system for piglets
- Swivelling sides allow short-term restraining, that reduces piglets' mortality
- The sides can also be used as flexible protection during inspection of the sow
- Height-adjustable barrier plate in the piglet nest



# | SPACE-SAVING FARROWING PEN |

For better animal health and welfare

The Welsafe farrowing pen is all about making the sow comfortable and increase the survival rate of the piglets. The farrowing pen ensures a cooler space for the sow and a warmer space for the piglets.

The Welsafe farrowing pen comes with the special wings on both sides of the sow. The wings are flexible for comfort, and they keep the sow in place during and just after the piglets are born. The sow will usually rest on the cool cast iron floor. The wings ensure that the sow use this protection when lying down and this avoid crushed pigs.



The farrowing pen's unique features help to reduce piglets mortality and to increase weight on weaning compared to the traditional farrowing pens. The farrowing pen is very space-saving and can be built into new as well as into existing stalls.

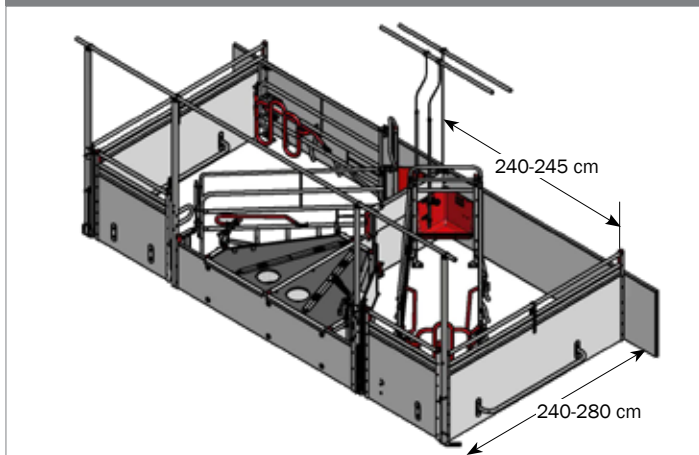
Our special "MOVE" model allows to fixate the sow in the most simple, fast and safe way.



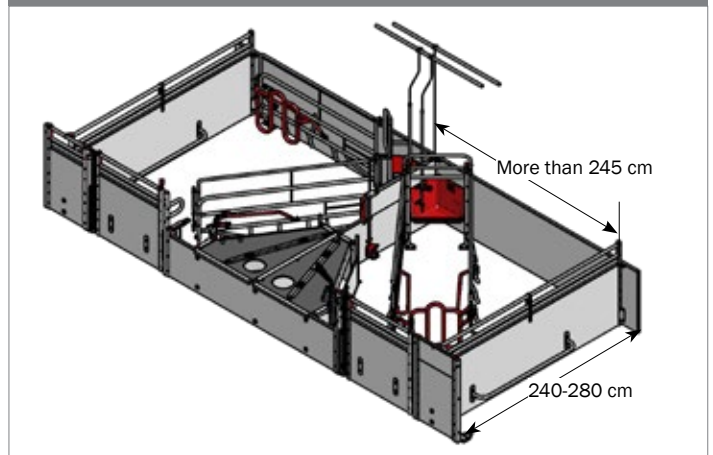
# DIFFERENT DIMENSIONS

Several dimensions available

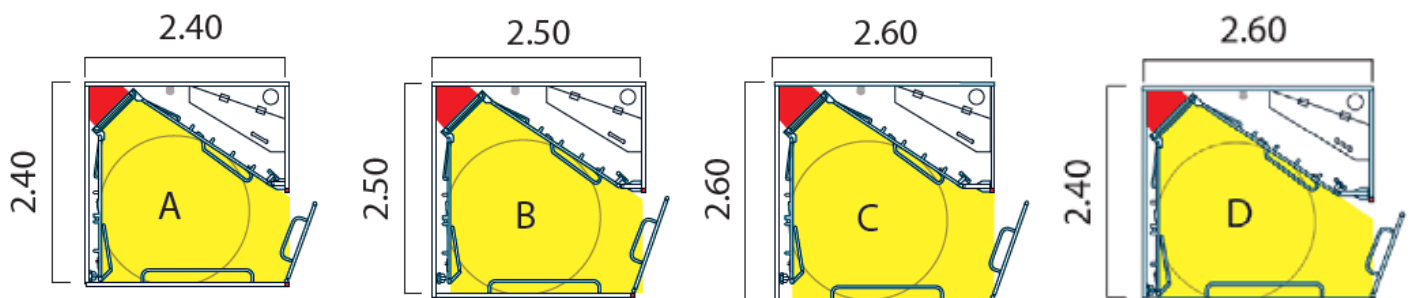
**1. FARROWING PEN WITH HIGH POSTS -**  
Recommended for pens 240-245 cm C/C.



**2. FARROWING PEN WITH FRONT PART & LOW POST -**  
Recommended for pens 245 cm C/C.



The Welsafe' standard size is 240 x 240 cm.  
However, the following dimensions can be an option:



|          | COVERED AREA, M <sup>2</sup> | SOW'S AREA, M <sup>2</sup> | DIAMETER, M |
|----------|------------------------------|----------------------------|-------------|
| <b>A</b> | 5,76                         | 3,90                       | 1,80        |
| <b>B</b> | 6,25                         | 4,40                       | 1,85        |
| <b>C</b> | 6,76                         | 4,60                       | 1,90        |
| <b>D</b> | 6,24                         | 4,15                       | 1,80        |

# | SPECIAL FEATURES |

Better conditions - higher weight at weaning

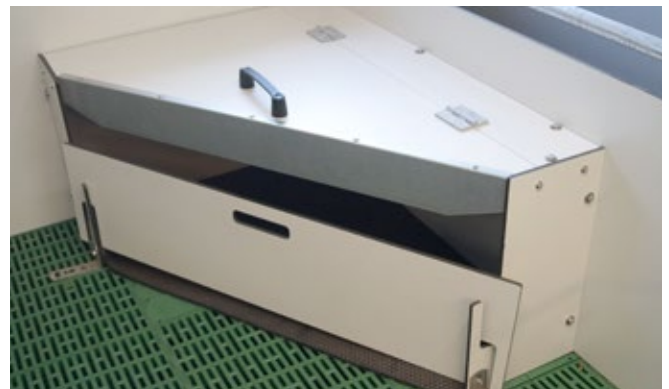
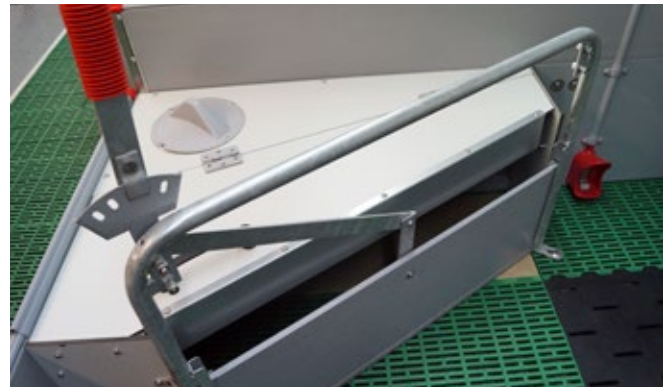


## ▲ INSPECTION ACCESS

Good space between farrowing box and piglet nest gives inspection access, so that it is not necessary for employees to come in to the sow. The distance between farrowing box and piglet nest can be adjusted by means of the special fitting.

## ▼ PIGLET NEST

Keeps the piglets warm and cozy. Available as standard model (0,75 m<sup>2</sup>) or as XL model (1 m<sup>2</sup>).



## ◀ CORNER TROUGH FOR SOW

Choose between PVC or stainless steel. The trough's capacity is 19,5 l.

The plastic trough is designed to fit with U-profile in the corner. Hereby closing completely to wall/inventory in front of the trough.

*Subject to changes in materials and design reserved.*

B-6502-GB

**ACO FUNKI A/S**  
Kirkevænget 5  
DK 7400 Herning  
T. +45 9711 9600  
www.acofunki.com

