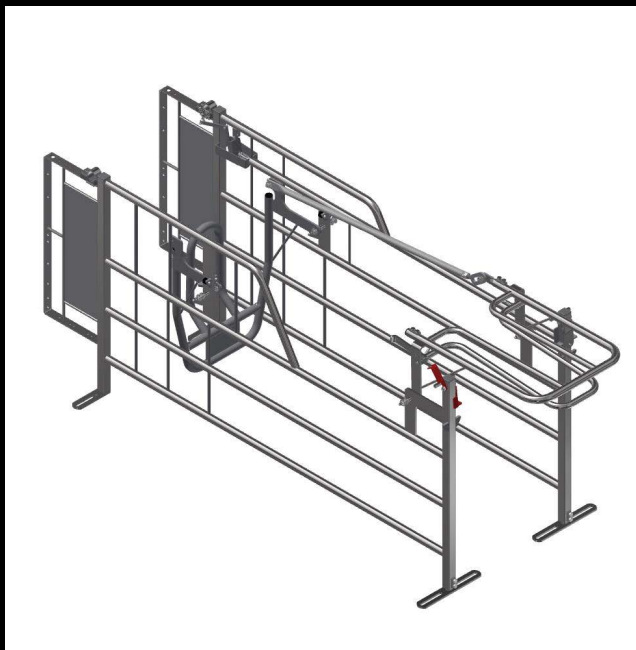




MAG-BOX

Mating and Gestation box



- Spacious environment where sows can move freely.
- Safe and stress-free reproduction due to the smart design.
- The special red handle allows one to see from a distance if the animals are locked.
- Facilitates insemination and stimulation of the sows.
- The system enables proper grouping at the right time without unnecessary reshuffling, enhancing overall farm productivity.
- Benefits the sows and provides farm operators with a better overview of the entire process.
- Improved management practices, reducing operational complexities and enhancing overall efficiency.

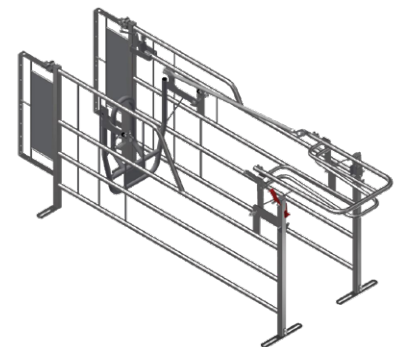
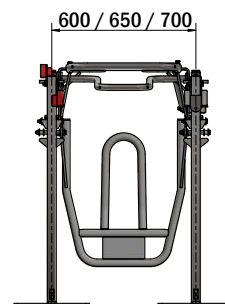
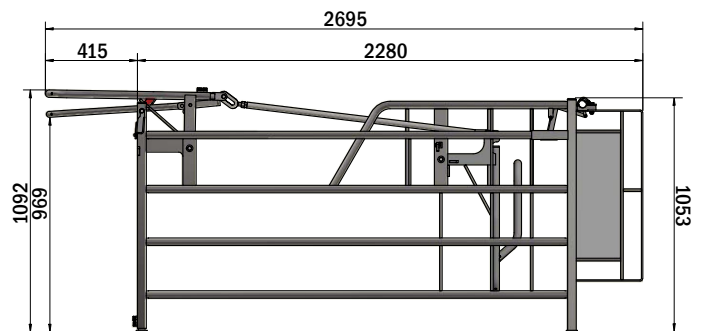
MATING AND GESTATION (MAG) BOX

For better sows welfare and overall farm efficiency

- **Animal Comfort:** Our combined Mating and Gestation box provides a spacious environment where sows can move freely, ensuring their comfort and well-being.
- **Safe and Stress-Free Reproduction:** The special box design prevents sows from squeezing between the pipes, minimizing stress and potential damage to the sows. This consideration is essential for the sows' reproductive health.
- **Optimized Insemination Procedures:** The open design of the MAG-box facilitates easy insemination and stimulation of the sows.
- **Improved Sow Management:** The system enables proper grouping at the right time without unnecessary reshuffling, enhancing farm productivity.
- **Enhanced Operational Efficiency:** Our solution's integrated approach benefits the sows and provides farm operators with a better overview of the entire process. This leads to improved management practices, reducing operational complexities and enhancing overall efficiency.



The **RED HANDLES** are for manual open/close functions. It makes it easy to see from the aisle which animals are locked.



Testimonials:



One of the great features for us is the absence of any unnecessary parts that can easily break.

There is a good space for insemination procedures.

It has made our job easier, more efficient, and far more convenient.”

Jonas & Danni Sørensen
Denmark, 4.500 sows



Subject to changes in materials and design is reserved.

B-6515-GB

ACO FUNKI A/S

Kirkevænget 5

DK-7400 Herning

T. +45 9711 9600

www.acofunki.com

