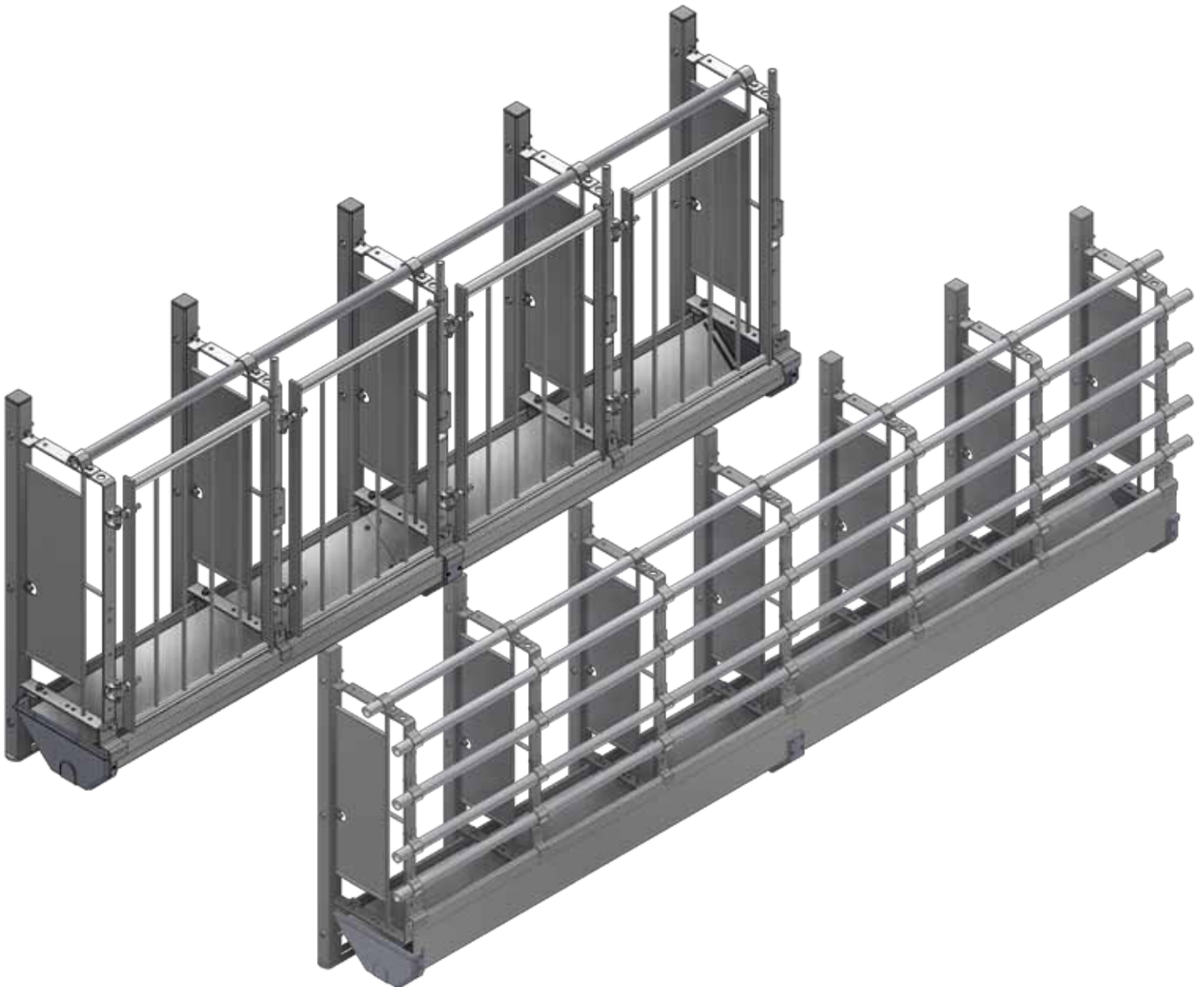


M-8025_GB

MOUNTING INSTRUCTION



STAINLESS STEEL TROUGH

Suspended long trough



ACO FUNKI A/S

Kirkevænget 5
DK-7400 Herning

Tel. +45 9711 9600

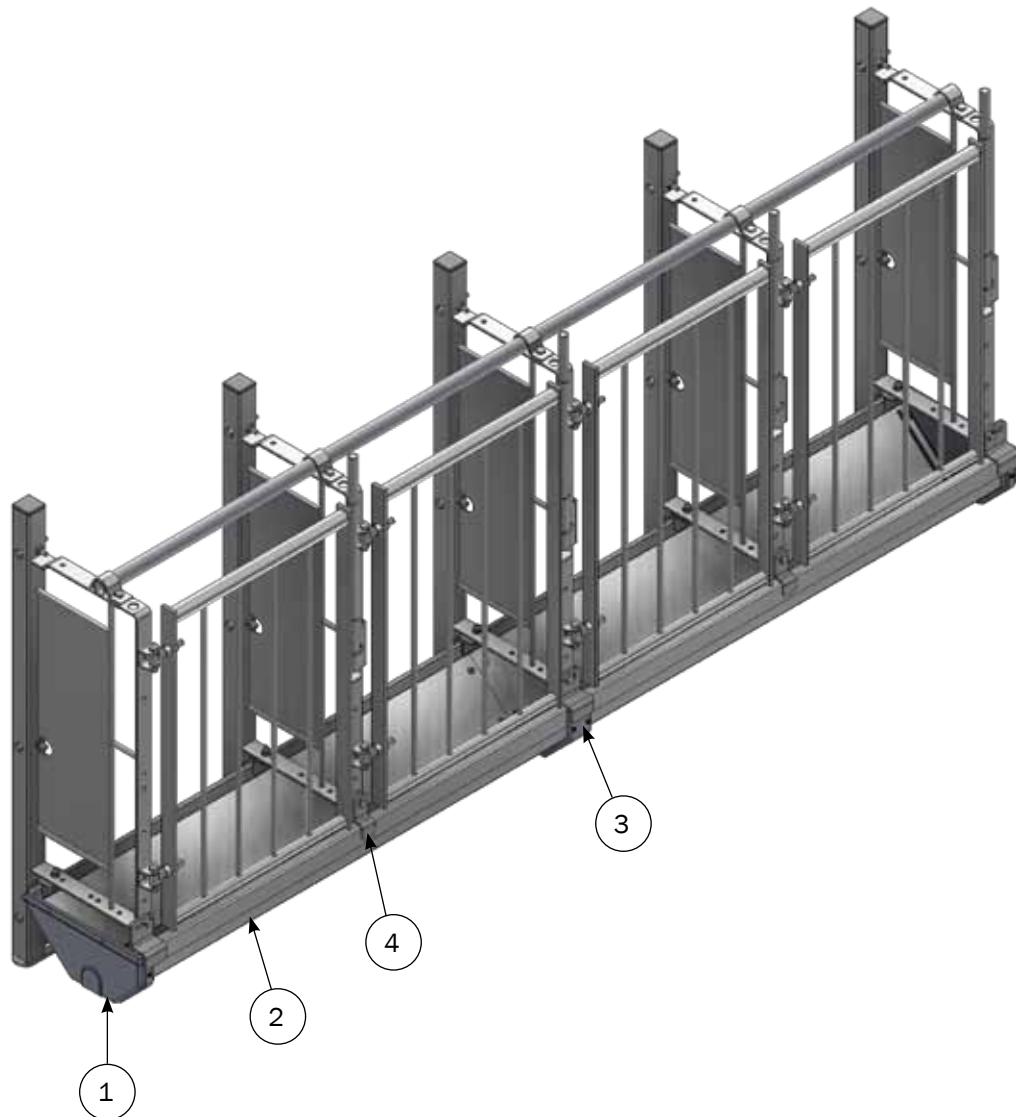
Fax +45 9711 9677

www.acofunki.com

FUNKI

DANISH DESIGN | GERMAN QUALITY | GLOBAL EXPERIENCE

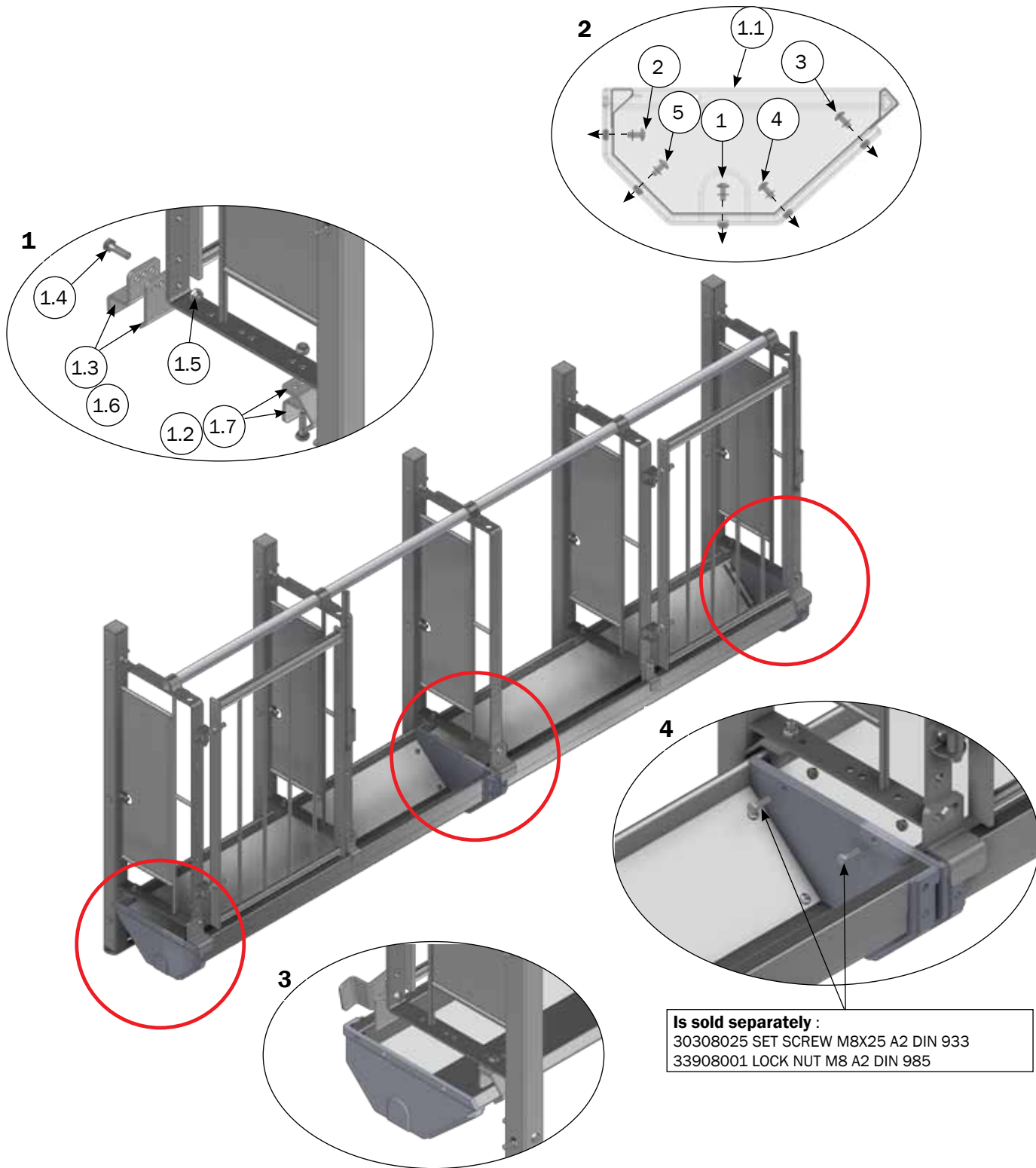
Suspended low stainless steel trough



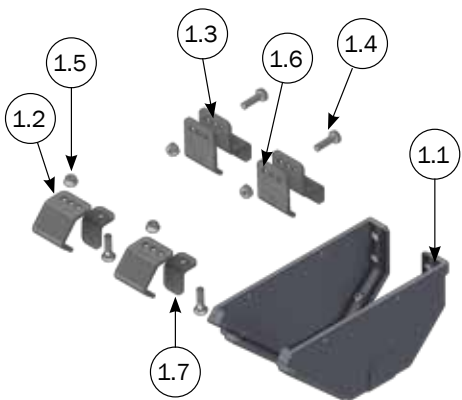
PARTS LIST

No	Pcs	Item no	Description
1	1	1700045	END IN PLATIC FOR LOW STEEL TROUGH
2	1	96181	LOW STEEL TROUGH FOR PLASTIC JOINT
3	2	1700046	ASSEMBLY KIT FOR LOW STEEL TROUGH
4	2	96202	STEEL TROUGH BRACKET FOR 1 BOX FOR HIGH/LOW STEEL TROUGH

Mounting of end piece on low stainless steel trough double

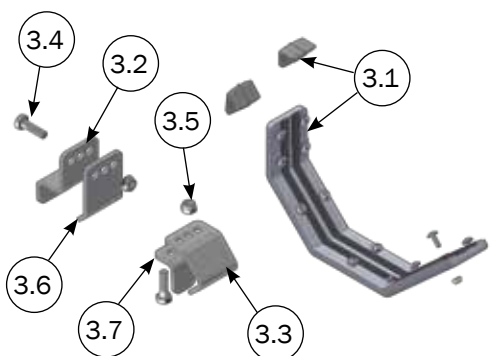
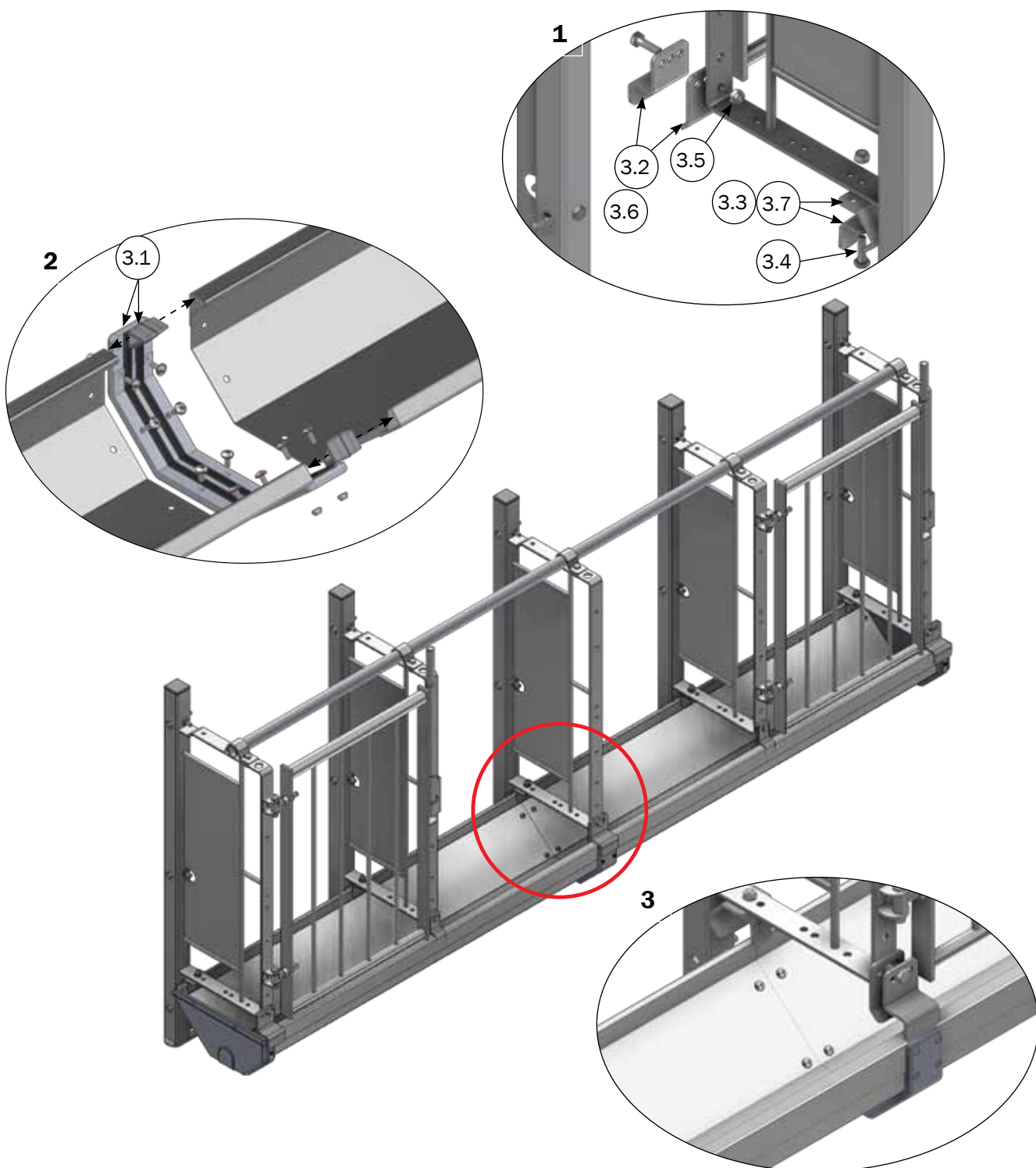


Is sold separately :
 30308025 SET SCREW M8X25 A2 DIN 933
 33908001 LOCK NUT M8 A2 DIN 985



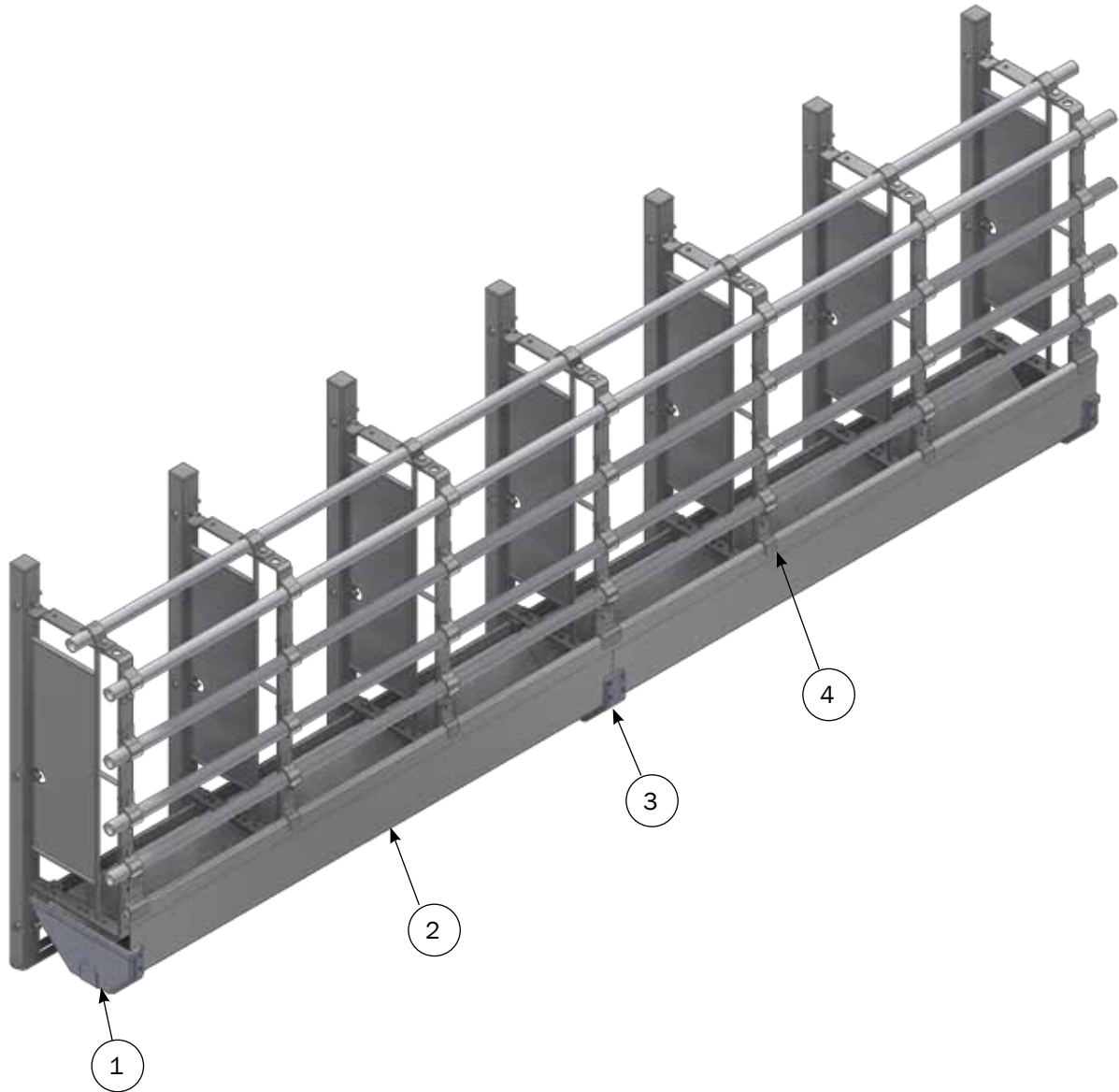
PARTS LIST			
No	Pcs	Item no	Description
1	2(1)	1700045	END IN PLATIC FOR LOW STEEL TROUGH
1.1	2(1)	31025	END PIECE KIT IN PLASTIC FOR 1 STEEL TROUGH
1.2	4(2)	96124	TROUGH BRACKET FOR FRONT EDGE
1.3	4(2)	96132	TROUGH BRACKET FOR BACK EDGE AT LOW TROUGH
1.4	4(4)	32310035	SET SCREW M10X35 A2 DIN 933
1.5	4(4)	33900029	LOCK NUT M10 A2 DIN 985
1.6	4(2)	96123	TROUGH BRACKET FOR BACK EDGE AT LOW TROUGH
1.7	4(2)	96130	TROUGH BRACKET AT LOW/HIGH TROUGH

Mounting of assembly kit for low stainless steel trough



PARTS LIST			
No	Pcs	Item no	Description
3	1	1700046	ASSEMBLY KIT FOR LOW STEEL TROUGH
3.1	1	31030	ASSEMBLY KIT IN PLASTIC FOR STEEL TROUGH
3.2	1	96132	TROUGH BRACKET FOR BACK EDGE AT LOW TROUGH
3.3	1	96124	TROUGH BRACKET FOR FRONT EDGE
3.4	2	32310035	SET SCREW M10X35 A2 DIN 933
3.5	2	33900029	LOCK NUT M10 A2 DIN 985
3.6	1	96123	TROUGH BRACKET FOR BACK EDGE AT LOW TROUGH
3.7	1	96130	TROUGH BRACKET AT LOW/HIGH TROUGH

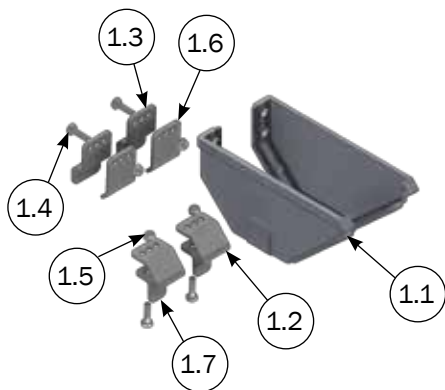
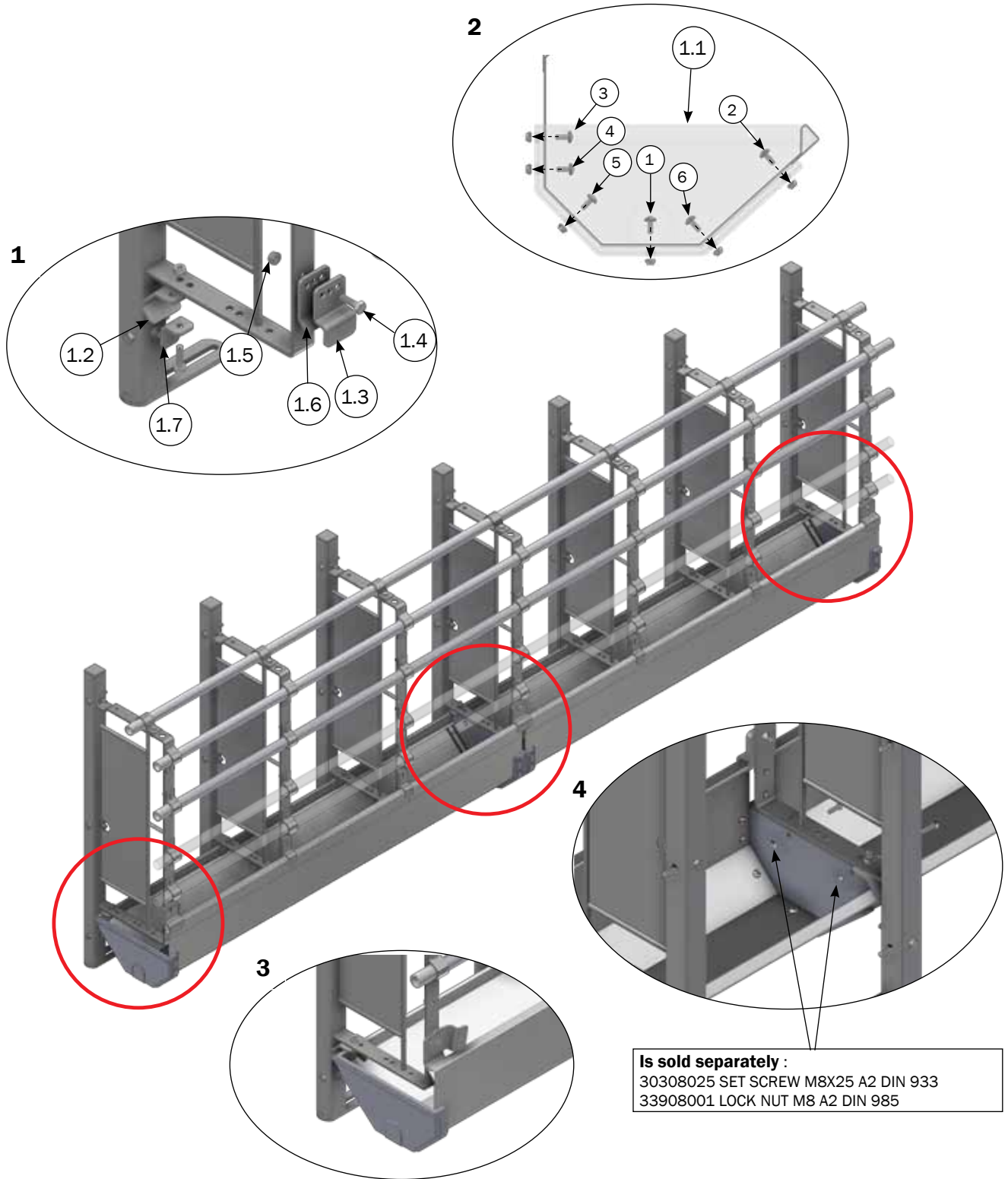
Suspended high stainless steel trough



PARTS LIST

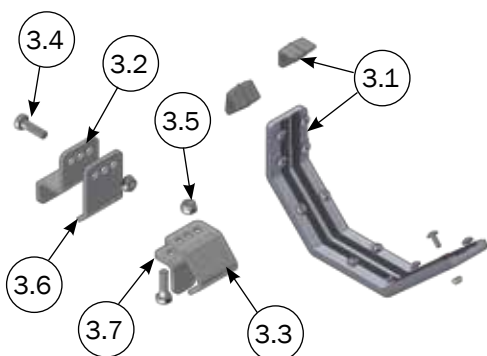
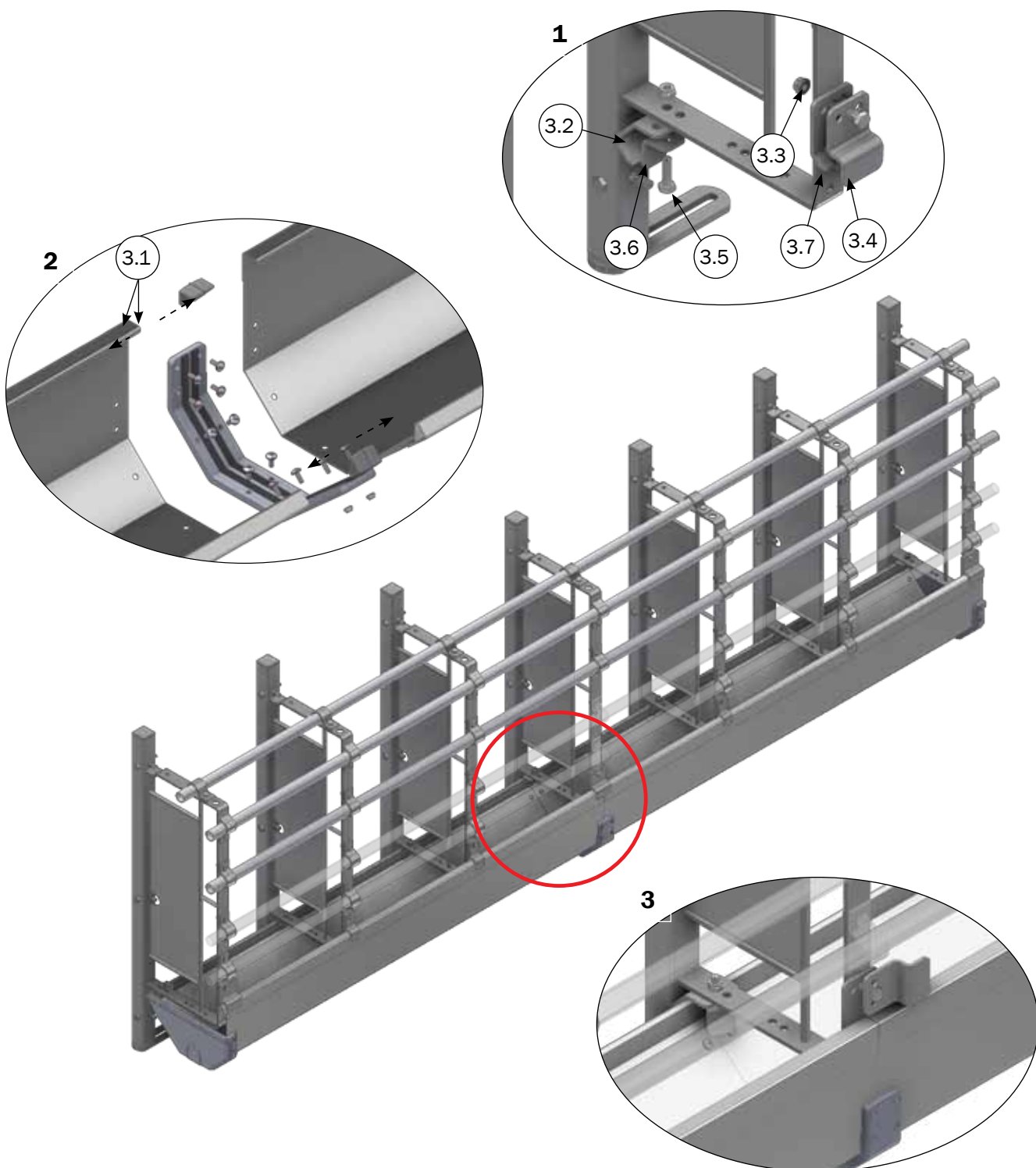
No	Pcs	Item no	Description
1	1	31040	END IN PLATIC FOR HIGH STEEL TROUGH
2	1	96180	STEEL TROUGH FOR PLASTIC JOINT FOR BOX WITH FRONT BARS
3	2	1700042	ASSEMBLY KIT FOR HIGH STEEL TROUGH
4	2	96202	STEEL TROUGH BRACKET FOR 1 BOX FOR HIGH/LOW STEELTROUGH

Mounting of end piece on high stainless steel trough double



PARTS LIST			
No	Pcs	Item no	Description
1	2(1)	31040	END IN PLATIC FOR HIGH STEEL TROUGH
1.1	2(1)	31025	END PIECE KIT IN PLASTIC FOR 1 STEEL TROUGH
1.2	4(2)	96124	TROUGH BRACKET FOR FRONT EDGE
1.3	4(2)	96122	TROUGH BRACKET FOR BACK EDGE AT HIGH TROUGH
1.4	4(4)	32310035	SET SCREW M10X35 A2 DIN 933
1.5	4(4)	33900029	LOCK NUT M10 A2 DIN 985
1.6	4(2)	96123	TROUGH BRACKET FOR BACK EDGE AT LOW TROUGH
1.7	4(2)	96130	TROUGH BRACKET AT LOW/HIGH TROUGH

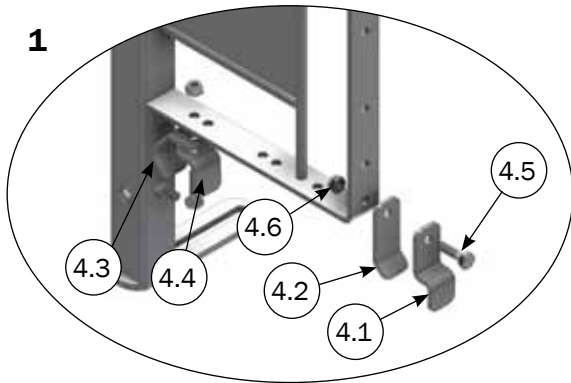
Mounting of assembly kit for low stainless steel trough



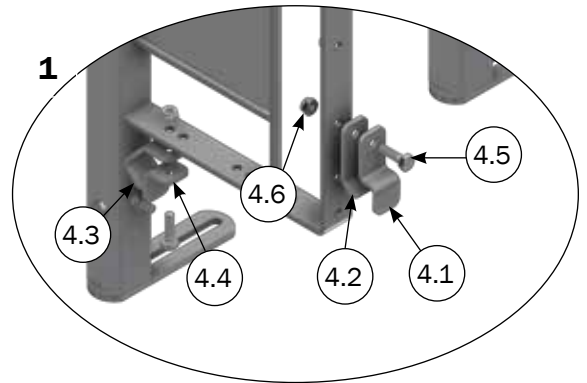
PARTS LIST

No	Pcs	Item no	Description
3	1	1700042	ASSEMBLY KIT FOR HIGH STEEL TROUGH
3.1	1	31030	ASSEMBLY KIT IN PLASTIC FOR STEEL TROUGH
3.2	1	96122	TROUGH BRACKET FOR BACK EDGE AT HIGH TROUGH
3.3	1	96124	TROUGH BRACKET FOR FRONT EDGE
3.4	2	32310035	SET SCREW M10X35 A2 DIN 933
3.5	2	33900029	LOCK NUT M10 A2 DIN 985
3.6	1	96123	TROUGH BRACKET FOR BACK EDGE AT LOW TROUGH
3.7	1	96130	TROUGH BRACKET AT LOW/HIGH TROUGH

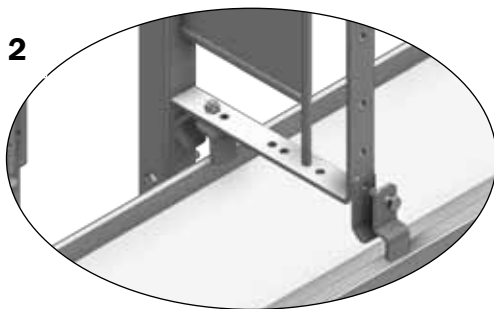
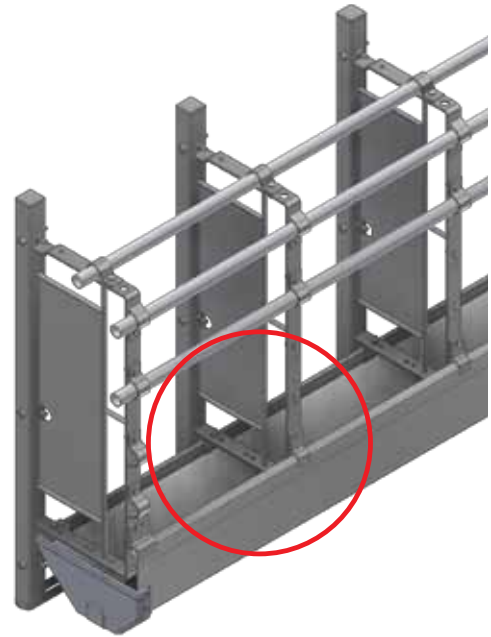
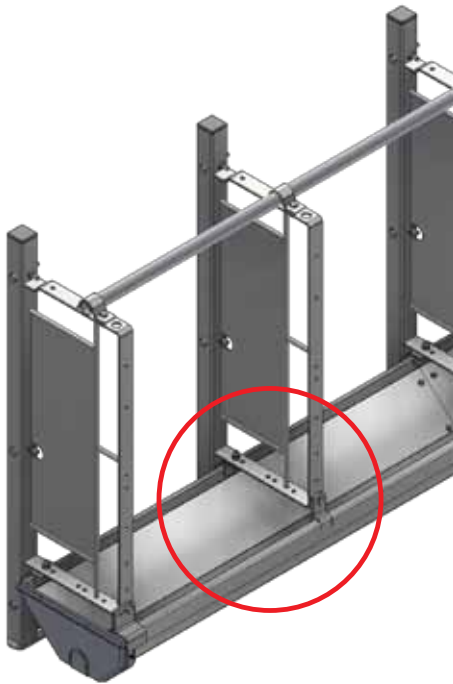
Mounting of steel trough bracket for low/high stainless steel trough



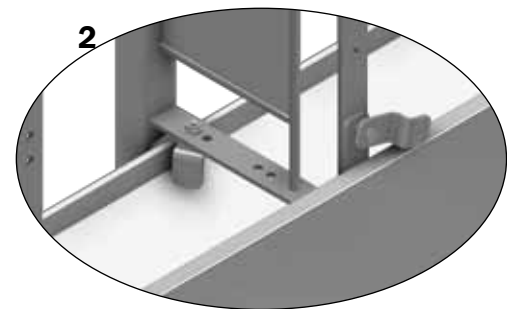
Location at low trough



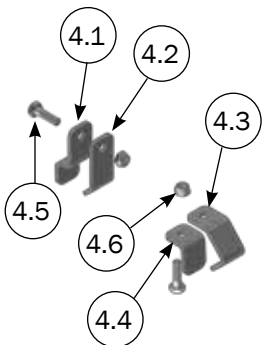
Location at high trough



Location at low trough



Location at high trough



PARTS LIST

No	Pcs	Item no	Description
4	1	96202	STEEL TROUGH BRACKET FOR 1 BOX FOR HIGH/LOW STEEL TROUGH
4.1	1	96127	TROUGH BRACKET FOR BACK EDGE AT LOW TROUGH, SINGLE ADJUSTMENT
4.2	1	96128	TROUGH BRACKET FOR BACK EDGE AT LOW TROUGH, SINGLE ADJUSTMENT
4.3	1	96129	TROUGH BRACKET FOR FRONT EDGE, SINGLE ADJUSTMENT
4.4	1	96130	TROUGH BRACKET AT LOW/HIGH TROUGH
4.5	2	32310035	SET SCREW M10X35 A2 DIN 933
4.6	2	33900029	LOCK NUT M10 A2 DIN 985