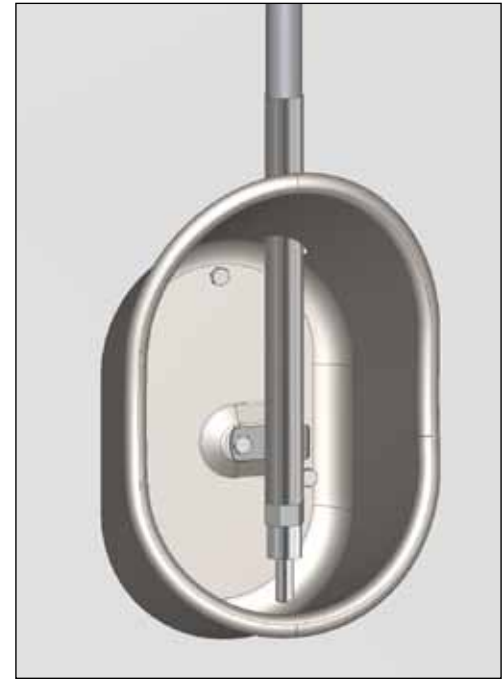


MOUNTING INSTRUCTION



DRINKING WATER FOR PIGS

- DRINKING NIPPLE
- DRINK-O-MAT®
- DRINKING BOWL

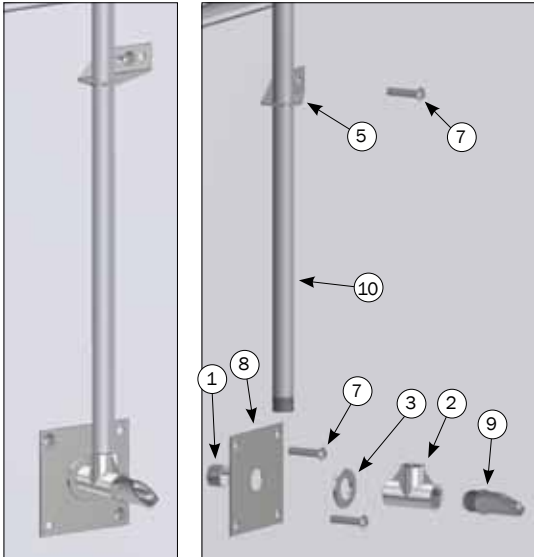


ACO FUNKI A/S
Kirkevænget 5
DK-7400 Herning

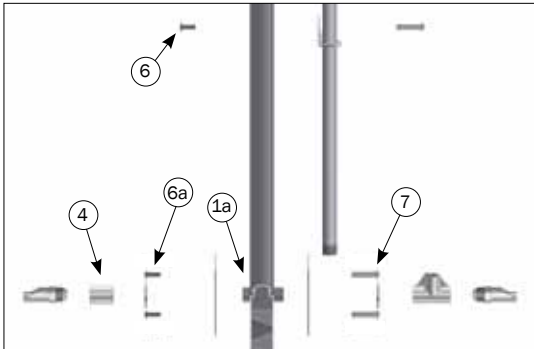
Tel. +45 9711 9600
Fax +45 9711 9677
www.acofunki.com

DANISH DESIGN | GERMAN QUALITY | GLOBAL EXPERIENCE

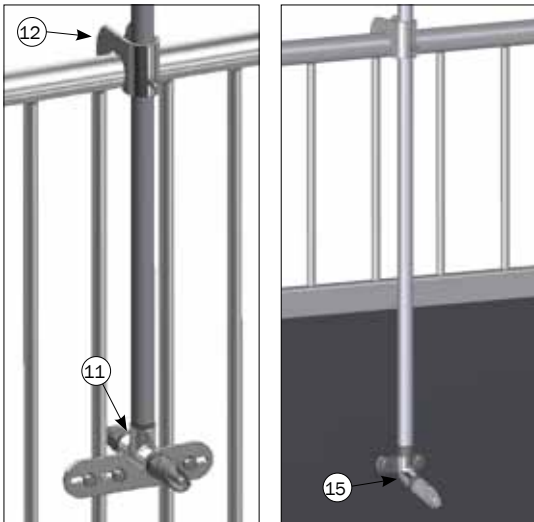
DRINKING NIPPLE



Drinking nipple 90° on 35 mm board profile

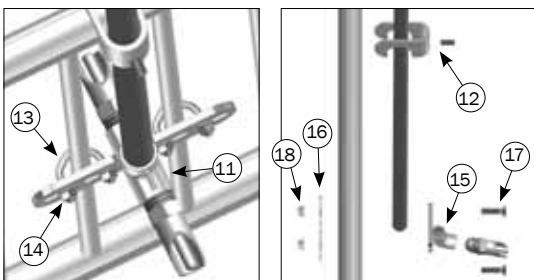


Drinking nipple 90° on 40 mm board profile



Drinking nipple 90° on bars

Drinking nipple 75° on plate



Drinking nipple 90° on bars

Drinking nipple 75° on plate

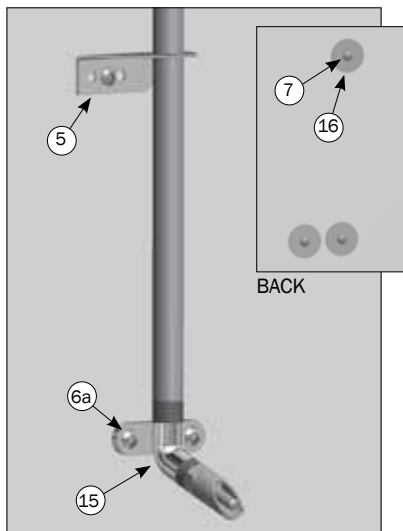
NIPPLES AND PIPES		
	Item no.	Description
9	9900054	BITE NIPPLE ½' SS EXTERNAL THREAD FOR FINISHERS
	93343	BITE NIPPLE ½' SS EXTERNAL THREAD FOR SOWS
	9900058	BITE NIPPLE ½' MALE THREAD SOWS, BRASS
	9900053	BITE NIPPLE ½' SS EXTERNAL THREAD FOR WEANERS
10	94039	NIPPLE PIPE ½' SS 830 MM W/THREAD
	06902111	NIPPLE PIPE ½' SS 990 MM W/THREAD
	06902112	NIPPLE PIPE ½' SS 1190 MM W/THREAD
	06902113	NIPPLE PIPE ½' SS 1700 MM W/THREAD

DRINKING NIPPLE ON 35 MM BOARD PROFILE (90°)			
	Item no.	Description	PCS.
	4900935	MOUNTING KIT FOR 35 MM BOARD PROFILE	
1	12100338	½' NIPPLE FITTING 60MM AISI316	1
2	06500003	TEE ½' STAINLESS AISI 316	1
3	35600086	FLAT WASHER Ø22X23/39/3 A2 DIN125 A	2
4	12100316	½' STAINLESS COUPLING	1
5	20007	WATER PIPE BRACKET 23 MM PIPE	1
6	39106020	CONNECTION SCREW M6X20 STAINLESS TORX 30	3
7	39206037	SPLICING SLEEVE M6X37 STAINLESS TORX 30	3
8	20070	PROTECTION PLATE ½' WATERPIPE ON PANEL	2

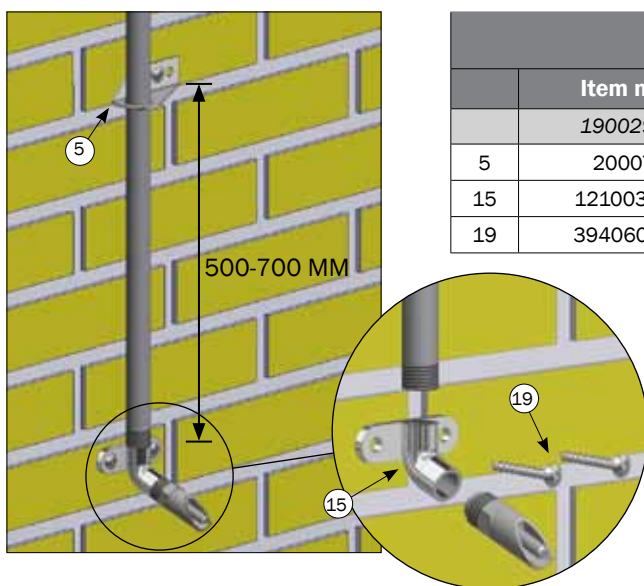
DRINKING NIPPLE ON 40 MM BOARD PROFILE (90°)			
	Item no.	Description	PCS.
	4900940	MOUNTING KIT FOR 40 MM BOARD PROFILE	
1a	12100273	½' NIPPLE FITTING 70MM AISI316	1
2	06500003	TEE 1/2' STAINLESS AISI 316	1
3	35600086	FLAT WASHER Ø22X23/39/3 A2 DIN125 A	2
4	12100316	½' STAINLESS COUPLING	1
5	20007	WATER PIPE BRACKET 23 MM PIPE	1
6a	39106030	CONNECTION SCREW M6X30 STAINLESS TORX 30	3
7	39206037	SPLICING SLEEVE M6X37 STAINLESS TORX 30	3
8	20070	PROTECTION PLATE ½' WATERPIPE ON PANEL	2

DRINKING NIPPLE ON BARS (90°)			
	Item no.	Description	PCS.
	1900294	MOUNTING KIT FOR DRINKING NIPPLE ON BARS	
11	1950294	TEE FOR DRINKING NIPPLE	1
12	20026	WATER PIPE BRACKET ½' WITH SCREW SS	1
13	69681	U-CLAMP 3/8 M6 SS	2
14	33506011	COLLAR HEAD NUT M6 A2 DIN 6923	4

DRINKING NIPPLE ON PLATE (75°)			
	Item no.	Description	PCS.
	1900300	MOUNTING KIT FOR DRINKING NIPPLE ON BARS	
12	20026	WATER PIPE BRACKET ½' WITH SCREW SS	1
15	12100335	STAINLESS ELBOW 75° ½' RG	1
16	20037	MASTER CLAMP WASHER Ø10, 5/Ø45 1,5 A2	2
17	30308030	SET SCREW M8X30 A2 DIN 933	2
18	68552	M8 FLANGE NUT DIN 6923 A2	2



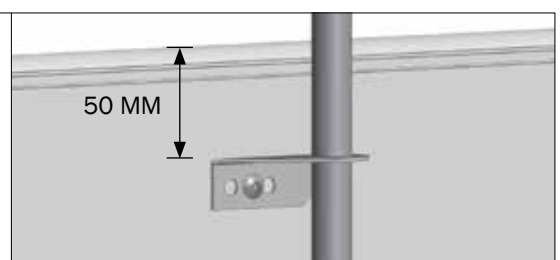
SINGLE DRINKING NIPPLE ON BOARD PROFILE (75°)			
	Item no.	Description	PCS.
	1900298	MOUNTING KIT FOR DRINKING NIPPLE ON BOARD PROFILE	
5	20007	WATER PIPE BRACKET 23 MM PIPE	1
6a	39106020	CONNECTION SCREW M6X20 STAINLESS TORX 30	3
7	39206037	SPLICING SLEEVE M6X37 STAINLESS TORX 30	3
15	12100335	STAINLESS ELBOW 75° ½' RG	1
16	20037	MASTER CLAMP WASHER Ø10, 5/Ø45 1,5 A2	3



DRINKING NIPPLE ON WALL (75°)			
	Item no.	Description	PCS.
	1900293	MOUNTING KIT FOR DRINKING NIPPLE ON WALL	
5	20007	WATER PIPE BRACKET 23 MM PIPE	1
15	12100335	STAINLESS ELBOW 75° ½' RG	1
19	39406050	CONCRETE SCREW 6,5 X 50 STAINLESS STEEL	3

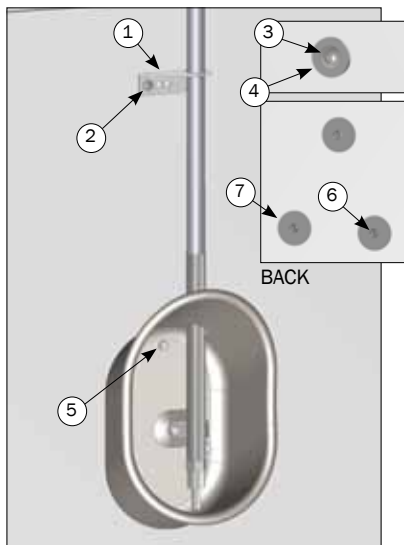
Mounting height of water pipe bracket (20007):

The water pipe bracket is mounted in a height of max. 50 mm from the upper edge of the board profile. When mounted on a wall, the distance from the water pipe bracket to the bottom of the nipple pipe should be approx. 500-700 mm (as shown above).



DRINKING NIPPLES / BITE NIPPLES				
Type	Age/weight	Pigs pr. nipple	Mounting height - 90°*	Mounting height - 75°*
Piglets, until 5 weeks	Birth - 2 weeks	One pr. farrowing pen	10 cm	15 cm
	2-5 weeks	One pr. farrowing pen	20 cm	30 cm
Weaners, 7-30 kg	7 - approx. 20 kg	10-15	25 cm	35 cm
	Approx. 20-30 kg	10-15	45 cm	55 cm
30-100 kg	30 - approx. 50 kg	15	50 cm	60 cm
	Approx. 50-100 kg	15	60 cm	70 cm
Loose sows	Varying	10	75 cm	90 cm

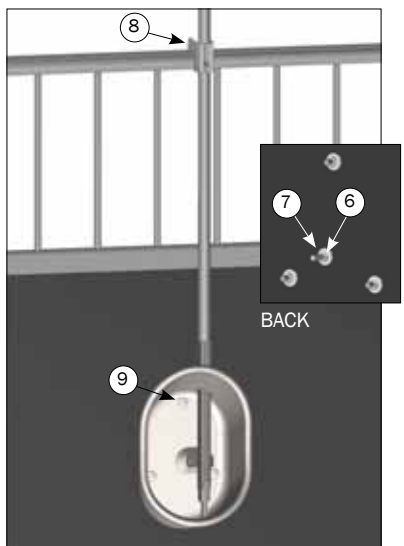
*Recommended mounting height is measured as the distance from the floor to the tip of the valve.



SINGLE DRINKING BOWL / DRIK-O-MAT® ON BOARD PROFILE			
	Item no.	Description	PCS.
	93626	MOUNTING KIT SINGLE DRINKING BOWL/DRIK-O-MAT® ON BOARDPROFILE	
1	20007	WATER PIPE BRACKET 23 MM PIPE	1
2	39106020	CONNECTION SCREW M6X20 STAINLESS TORX 30	1
3	39206037	SPLICING SLEEVE M6X37 STAINLESS TORX 30	1
4	20037	MASTER CLAMP WASHER Ø10, 5/Ø45 1,5 A2	5
5	30306045	SET SCREW M6X45 A2 DIN 933	3
6	33596010	LOCK NUT M6 A2 DIN 985	3
7	35600093	NUT WASHER Ø6X6,4/18/1,6 A2 DIN 9021	3



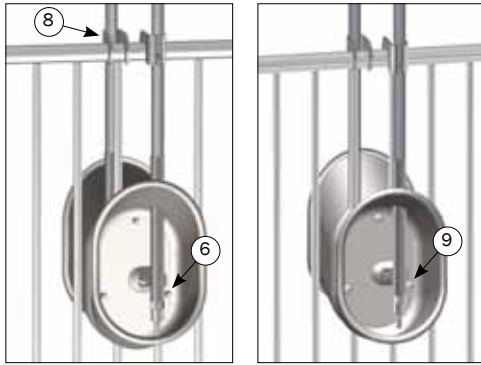
DOUBLE DRINKING BOWL / DRIK-O-MAT® ON BOARD PROFILE			
	Item no.	Description	PCS.
	93628	MOUNTING KIT DOUBLE DRINKING BOWL/DRIK-O-MAT® ON BOARD PROFILE	
1	20007	WATER PIPE BRACKET 23 MM PIPE	2
2	39106020	CONNECTION SCREW M6X20 STAINLESS TORX 30	2
3	39206037	SPLICING SLEEVE M6X37 STAINLESS TORX 30	2
5	30306045	SET SCREW M6X45 A2 DIN 933	3
6	33596010	LOCK NUT M6 A2 DIN 985	3



SINGLE DRINKING BOWL / DRIK-O-MAT® ON PLATE			
	Item no.	Description	PCS.
	93666	MOUNTING KIT SINGLE DRINKING BOWL/DRIK-O-MAT® ON 10 MM PLATE	
7	35600093	NUT WASHER Ø6X6,4/18/1,6 A2 DIN 9021	3
6	33596010	LOCK NUT M6 A2 DIN 985	3
8	20026	WATER PIPE BRACKET ½' WITH SCREW SS	1
9	67206	6 X 25 MACHINE SCREW FRH SS	3



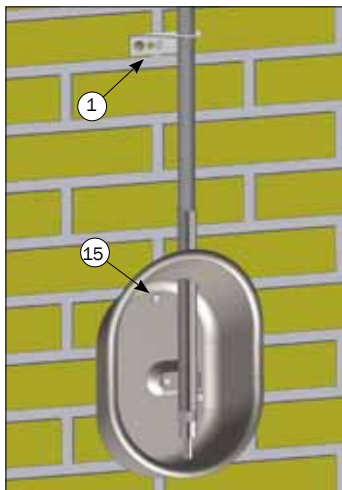
DOUBLE DRINKING BOWL / DRIK-O-MAT® ON PLATE			
	Item no.	Description	PCS.
	93668	MOUNTING KIT DOUBLE DRINKING BOWL/DRIK-O-MAT® ON 10 MM PLATE	
6	33596010	LOCK NUT M6 A2 DIN 985	3
8	20026	WATER PIPE BRACKET ½' WITH SCREW SS	2
9	67206	6 X 25 MACHINE SCREW FRH SS	3



DOUBLE DRINKING BOWL / DRIK-O-MAT® ON BARS			
	Item no.	Description	PCS.
	93670	MOUNTING KIT DOUBLE DRINKING BOWL/DRIK-O-MAT® ON BARS	
6	33596010	LOCK NUT M6 A2 DIN 985	3
8	20026	WATER PIPE BRACKET ½' WITH SCREW SS	2
9	67216	6 X 30 MACHINE SCREW	3



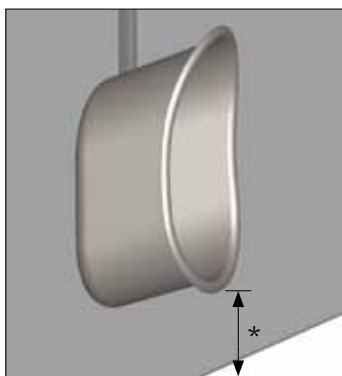
SINGLE DRINKING BOWL / DRIK-O-MAT® ON BARS			
	Item no.	Description	PCS.
	93632	MOUNTING KIT SINGLE DRINKING BOWL/DRIK-O-MAT® ON BARS	
8	20026	WATER PIPE BRACKET ½' WITH SCREW SS	1
10	93610	BACK PLATE, SS, 31 X 19.8 DOM	1
11	20051	MASTER CLAMP BACK PLATE	2
12	67351	8 X 40 MACHINE BOLT S	4
13	33908001	LOCK NUT M8 A2 DIN 985	4
14	67175	6 X 16 MACHINE SCREW FRH SS	3
6	33596010	LOCK NUT M6 A2 DIN 985	3



DRINKING BOWL / DRIK-O-MAT® ON WALL			
	Item no.	Description	PCS.
	93638	MOUNTING KIT DRINKING BOWL AND DRIK-O-MAT®	
1	20007	WATER PIPE BRACKET 23 MM PIPE	1
15	39406050	CONCRETE SCREW 6,5 X 50 STAINLESS STEEL	5

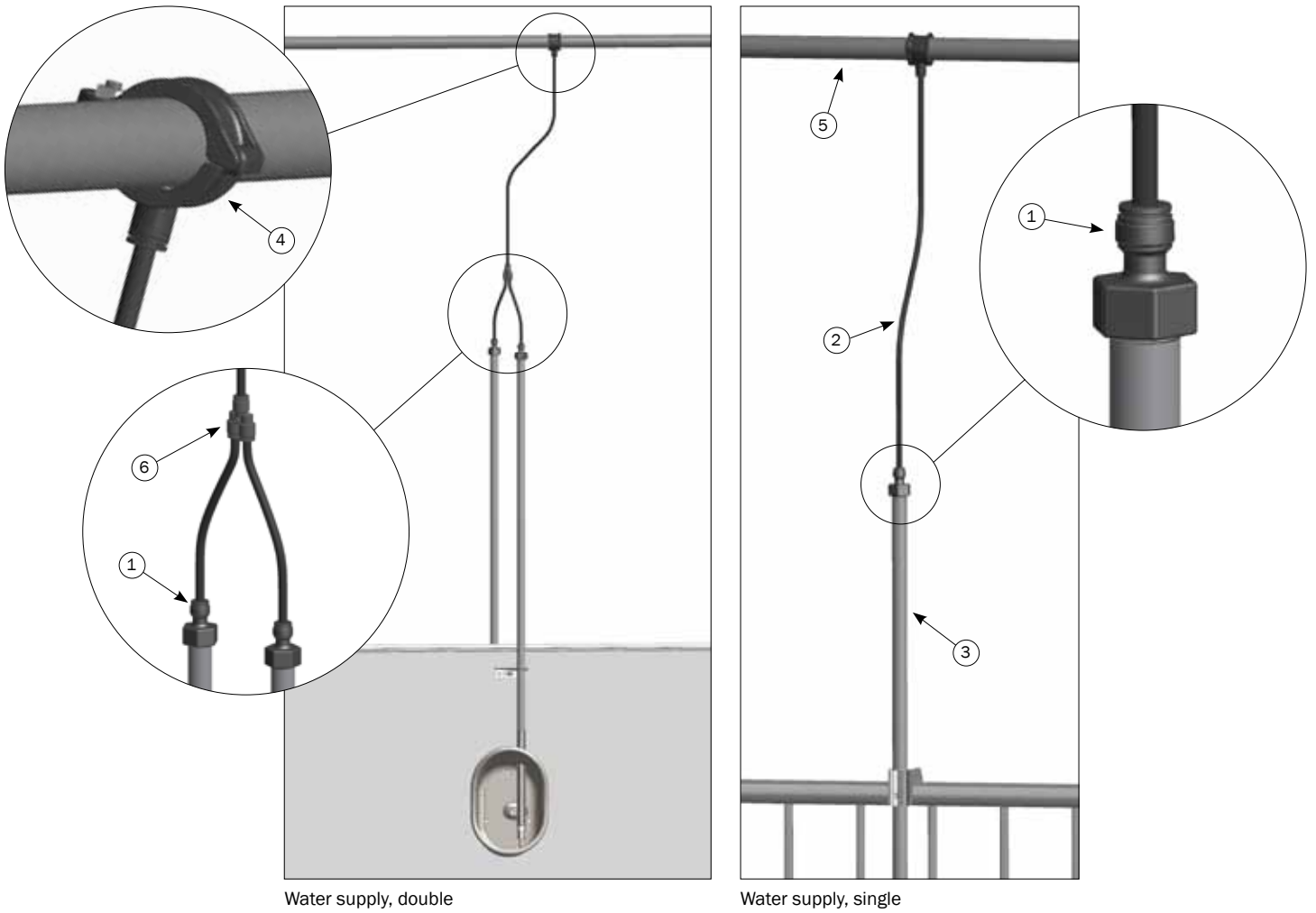
Mounting height of water pipe bracket (20007):

When mounting the water pipe bracket with the Drinking bowl or Drik-O-Mat® the same mounting height applies as for the Drinking nipple. (See page 3)



DRINKING BOWLS / DRIK-O-MAT®			
Description	Type	Pigs pr. bowl	Mounting height*
Mini	Weaners	30	120 mm
Standard	Finishers	30	250 mm
Multi	Wean-to-finish and sows	30 weaners	120 mm
		20 finishers	120 mm
		10 sows	350 mm
Maxi	Sows	10	350 mm

*Recommended mounting height is measured as the distance from the floor to the lower edge of the bowl.

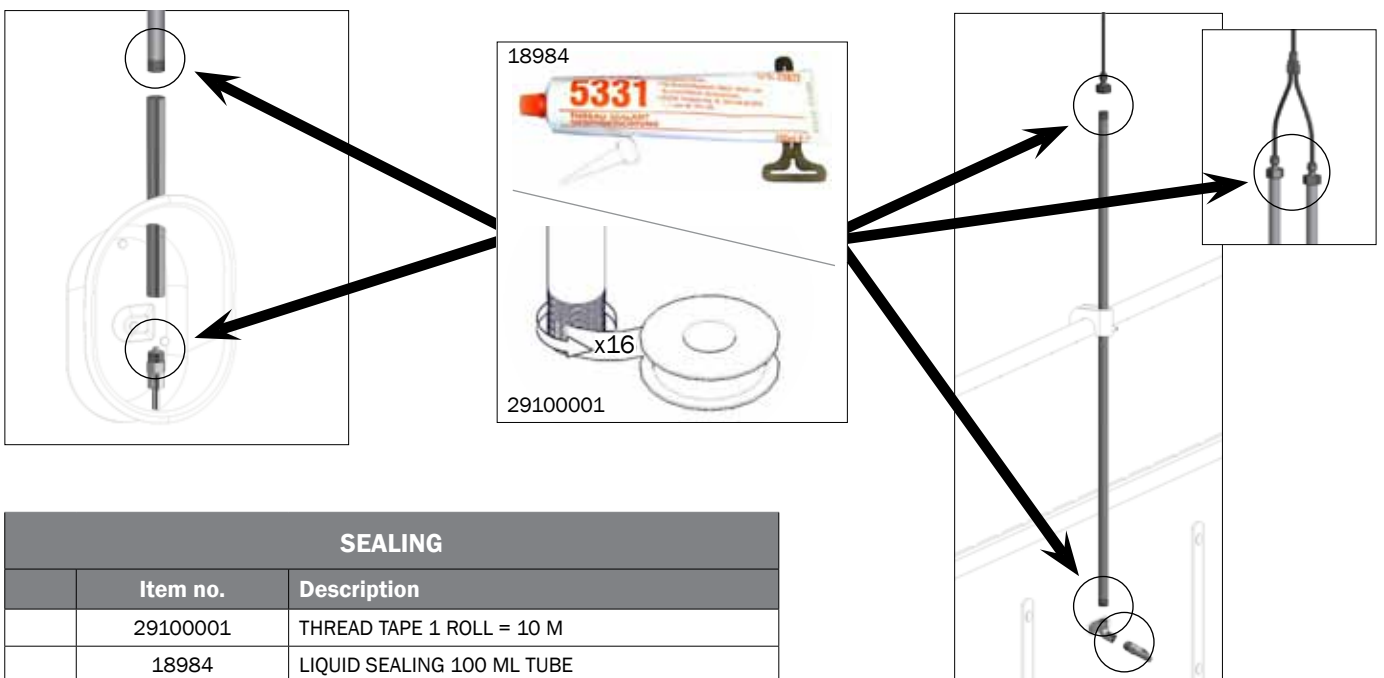


Water supply, double

Water supply, single

Sealing

Use sealing tape or liquid sealing.

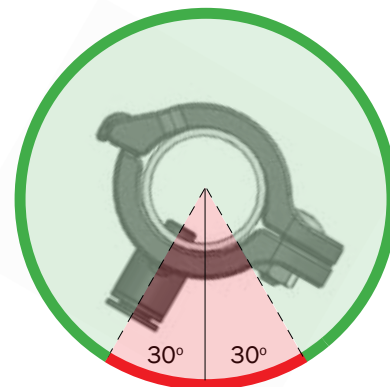
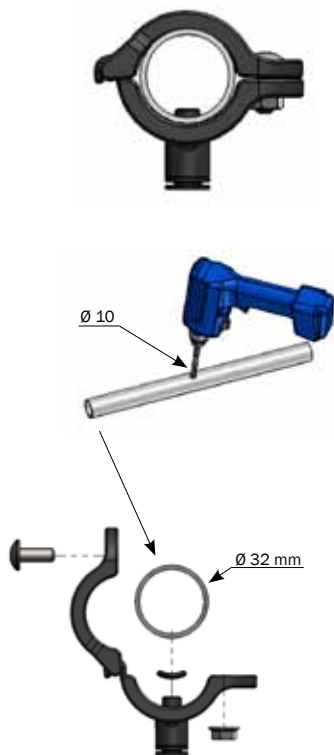


SEALING	
Item no.	Description
29100001	THREAD TAPE 1 ROLL = 10 M
18984	LIQUID SEALING 100 ML TUBE

When mounting on 33.7mm (1" pipe) the spacer is inserted.



When mounting on 32mm PVC pipe the spacer is removed.



NB:

Avoid mounting the drill clamp with the hose connector turned directly downwards. To prevent sludge from accumulating in the valves, it is recommended that the hose connector is placed in an angle above 30° as illustrated.

Mounting with master drill clamp (61195)

WATER SUPPLY - SINGLE

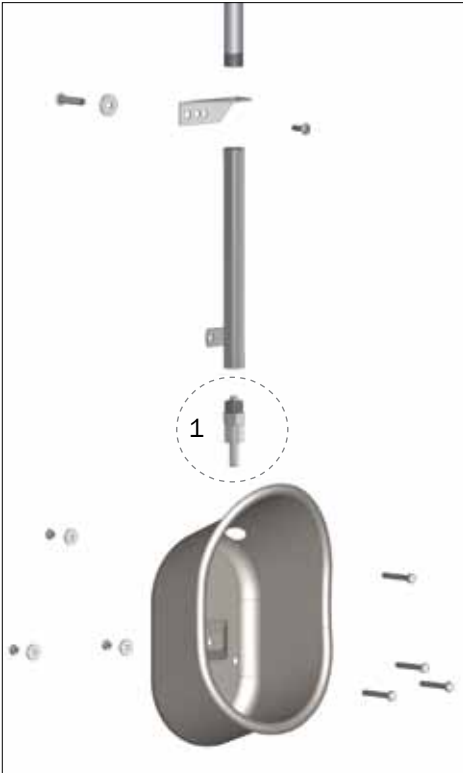
	Item no.	Description	PCS.
1	61148	SPEED UNION 8 MM MUFF/FEMALE THREAD	1
2	61012	HOSE 8 MM PE	X M
3	06902111	NIPPLE PIPE 1/2' STAINLESS STEEL 990 CM W/THREAD	1
4	61195	DRILL CLAMP PLASTIC 8MM-32/33,7 MM	1
5	20000055	PVC PIPE W/SOCKET 32 MM, PRICE PER METER, LENGTH 5 METER	X M

WATER SUPPLY - DOUBLE

	Item no.	Description	PCS.
1	61148	SPEED UNION 8 MM MUFF/FEMALE THREAD	2
2	61012	HOSE 8 MM PE	X M
3	06902111	NIPPLE PIPE 1/2' STAINLESS STEEL 990 CM W/THREAD	2
4	61195	DRILL CLAMP PLASTIC 8MM-32/33,7 MM	1
5	20000055	PVC PIPE W/SOCKET 32 MM, PRICE PER METER, LENGTH 5 METER	X M
6	61230	8 MM DIVIDER Y-FITTING	1

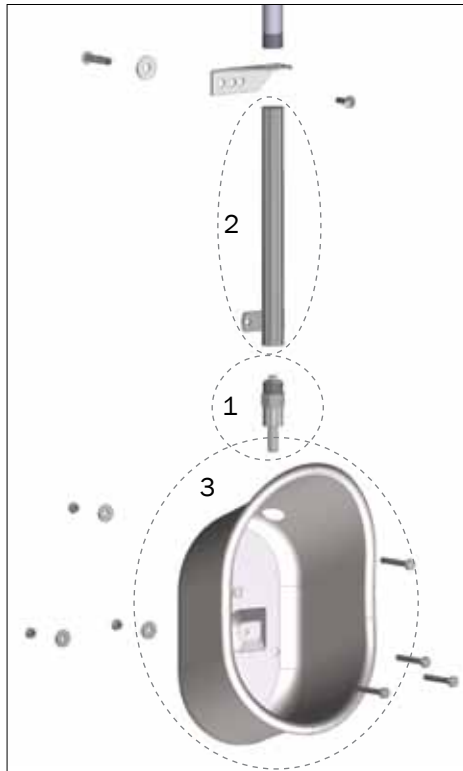
SPARE PARTS

DRINKING BOWL



The Drinking bowl comes fully assembled. Only the water valve can be bought separately as a spare part.

DRIK-O-MAT®



Drik - O - Mat® comes unassembled. Available spare parts are listed here.

SPARE PARTS - DRINKING BOWL

	Item no.	Description	PCS.
	560120	MINI DRINKING BOWL COMPLETE	
	560130	STANDARD DRINKING BOWL COMPLETE	
	560140	MULTI DRINKING BOWL COMPLETE	
1a	560153	304SS VALVE ½' EXTERNAL THREAD FOR DRINKING BOWL	

SPARE PARTS - DRIK - O - MAT®

	Item no.	Description	PCS.
	93570	<i>DRIK-O-MAT® MINI</i>	
3a	93565	DRIK-O-MAT® MINI BOWL	1
	93546	DRIK-O-MAT® WATER PIPE 245 MM1 BRACKET	1
	67162	M6 X 12 SCREW PAN HEAD WITH COLLAR A2 DIN 967	1
1b	93250	PRESS NIPPLE DRIK-O-MAT® 1/2' EXTERNAL THREAD	1
	29100001	THREAD TAPE 1 ROLL = 10 M	0,20
	33596010	LOCK NUT M6 A2 DIN 985	1
	93575	<i>DRIK-O-MAT® STANDARD</i>	
3b	93583	DRIK-O-MAT® STANDARD BOWL	1
	93546	DRIK-O-MAT® WATER PIPE 245 MM1 BRACKET	1
	29100001	THREAD TAPE 1 ROLL = 10 M	0,20
	67162	M6 X 12 SCREW PAN HEAD WITH COLLAR A2 DIN 967	1
1b	93250	PRESS NIPPLE DRIK-O-MAT® 1/2' EXTERNAL THREAD	1
	33596010	LOCK NUT M6 A2 DIN 985	1
	93600	<i>DRIK-O-MAT® MULTI</i>	
3c	93607	DRIK-O-MAT® MULTI BOWL	1
	93546	DRIK-O-MAT® WATER PIPE 245 MM1 BRACKET	1
1b	93250	PRESS NIPPLE DRIK-O-MAT® 1/2' EXTERNAL THREAD	1
	67162	M6 X 12 SCREW PAN HEAD WITH COLLAR A2 DIN 967	1
	29100001	THREAD TAPE 1 ROLL = 10 M	0,20
	33596010	LOCK NUT M6 A2 DIN 985	1
	93500	<i>DRIK-O-MAT® MAXI</i>	
3d	93505	DRIK-O-MAT® MAXI BOWL	1
	93546	DRIK-O-MAT® WATER PIPE 245 MM1 BRACKET	1
	67162	M6 X 12 SCREW PAN HEAD WITH COLLAR A2 DIN 967	2
1c	93280	PRESS NIPPLE SOWS 13 L ½" EXTERNAL THREAD	1
	29100001	THREAD TAPE 1 ROLL = 10 M	0,20
	33596010	LOCK NUT M6 A2 DIN 985	2