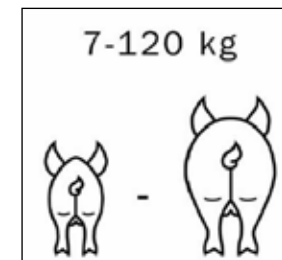
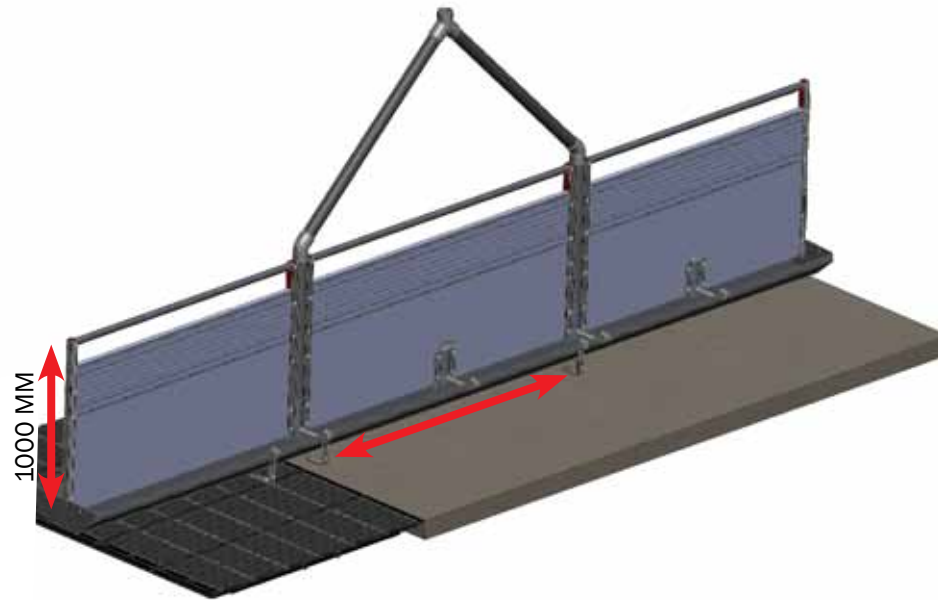


|M-8026_GB|

MOUNTING INSTRUCTION



ACO FUNKI A/S
Kirkevænget 5
DK-7400 Herning

Tel. +45 9711 9600
www.acofunki.com
www.egebjerg.com

INN-O-WALL

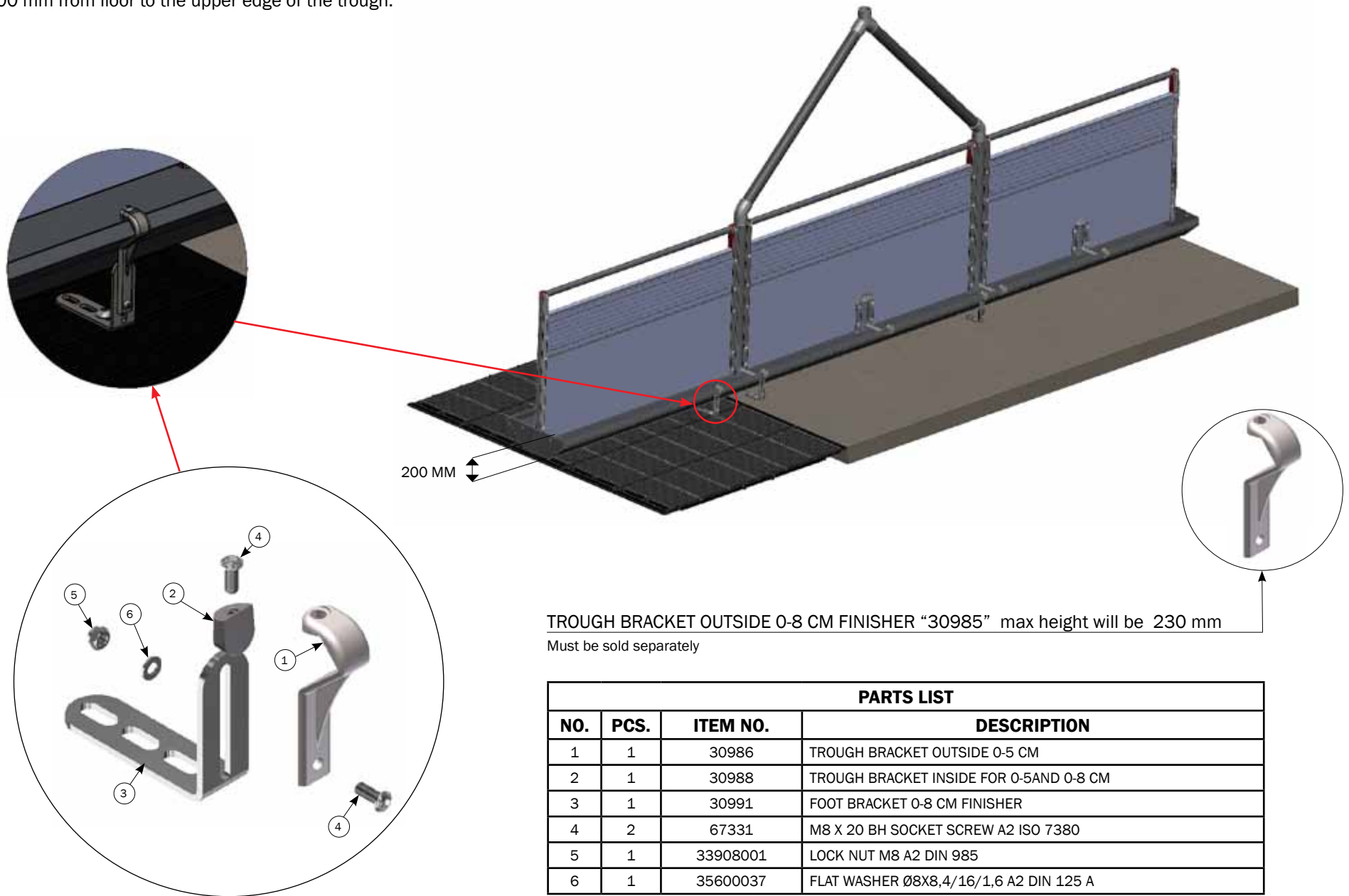
STAINLESS STEEL TROUGH

Danish Design | German Quality | Global Experience

MOUNTING OF EXTRA FOOT BRACKET OR FOR SINGLE TROUGH

Part № 31001

Max height 200 mm from floor to the upper edge of the trough.



TROUGH BRACKET OUTSIDE 0-8 CM FINISHER "30985" max height will be 230 mm

Must be sold separately

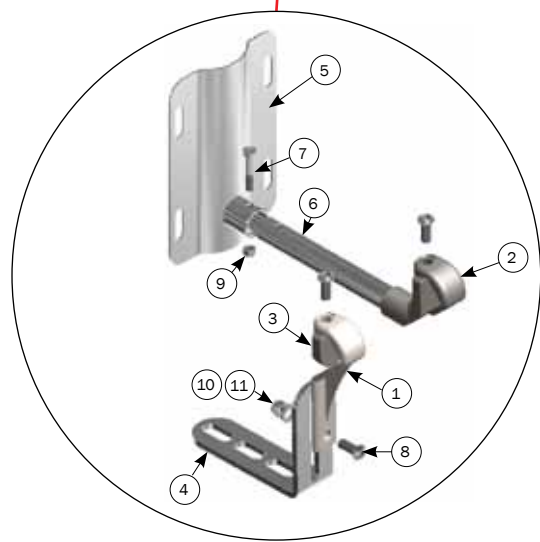
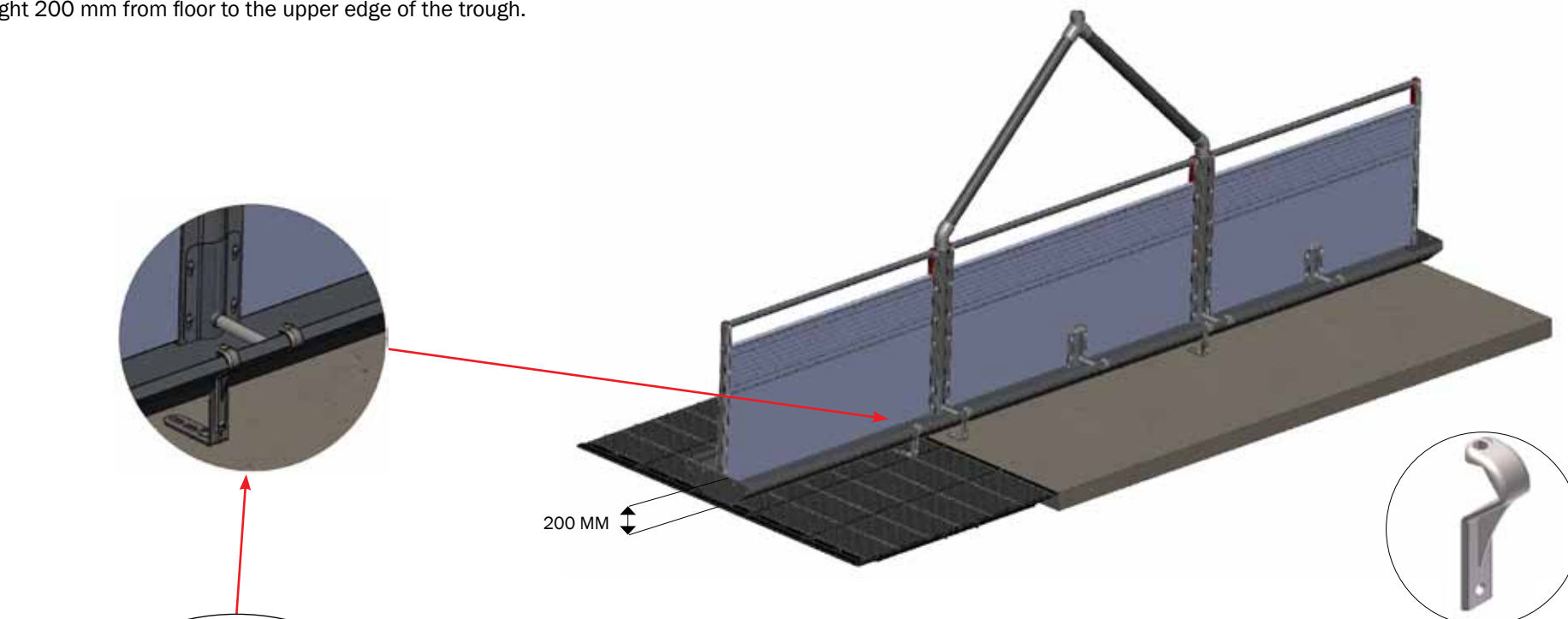
PARTS LIST

NO.	PCS.	ITEM NO.	DESCRIPTION
1	1	30986	TROUGH BRACKET OUTSIDE 0-5 CM
2	1	30988	TROUGH BRACKET INSIDE FOR 0-5AND 0-8 CM
3	1	30991	FOOT BRACKET 0-8 CM FINISHER
4	2	67331	M8 X 20 BH SOCKET SCREW A2 ISO 7380
5	1	33908001	LOCK NUT M8 A2 DIN 985
6	1	35600037	FLAT WASHER Ø8X8,4/16/1,6 A2 DIN 125 A

MOUNTING OF FOOT BRACKET AND SUPPORT FOR DOUBLE TROUGH WITH INTEGRATED DOWNPIPE

Part № 31000

Max height 200 mm from floor to the upper edge of the trough.

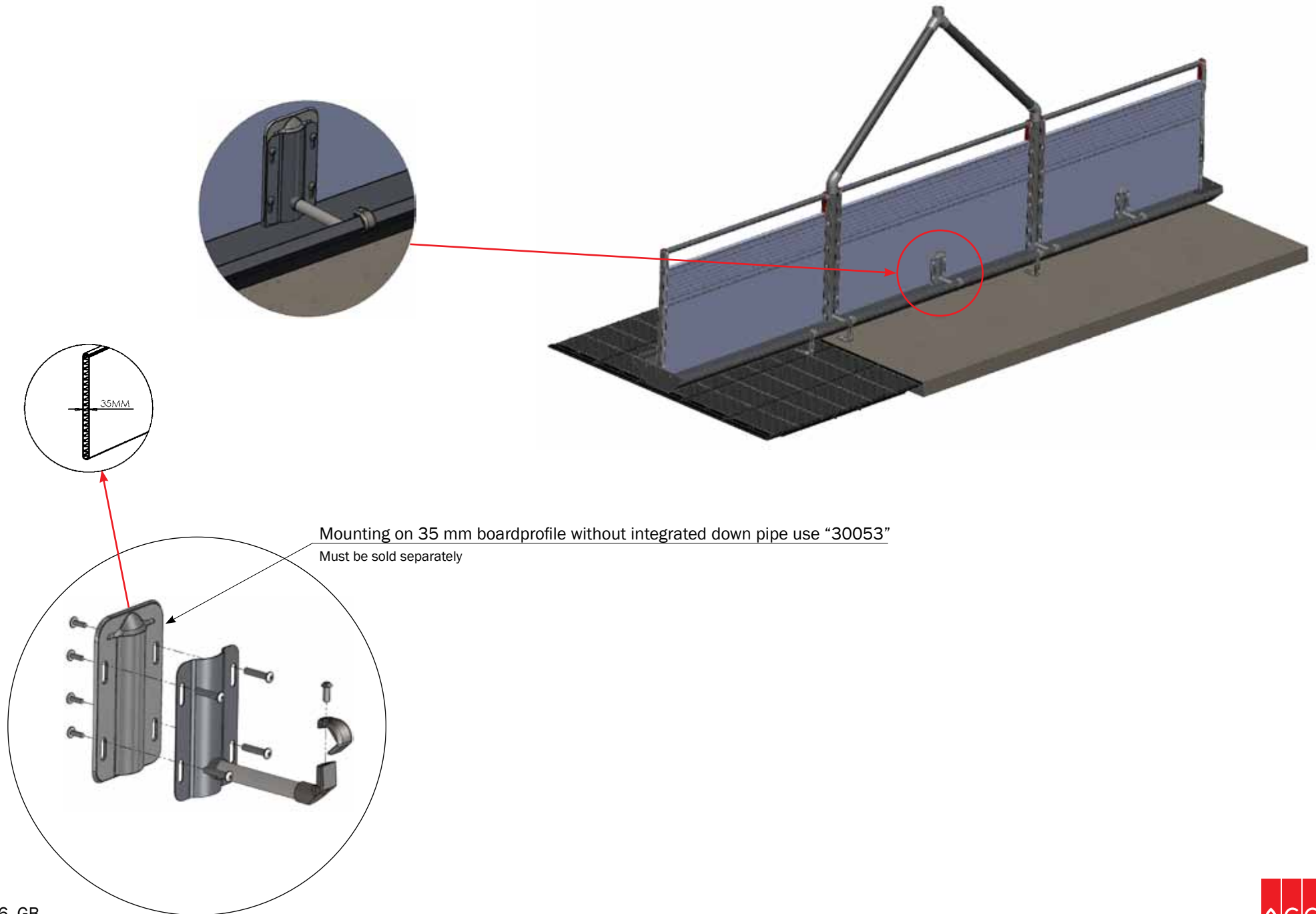


TROUGH BRACKET OUTSIDE 0-8 CM FINISHER "30985" max height will be 230 mm
Must be sold separately

PARTS LIST			
NO.	PCS.	ITEM NO.	DESCRIPTION
1	4	30986	TROUGH BRACKET OUTSIDE 0-5 CM
2	4	30987	TROUGH BRACKET OUTSIDE FOR SUPPORT FOOT
3	4	30988	TROUGH BRACKET INSIDE FOR 0-5AND 0-8 CM
4	4	30991	FOOT BRACKET 0-8 CM FINISHER
5	4	30995	SUPPORT BRACKET FOR DOWNPIPE INN-O-WALL FINISHER
6	4	30997	TROUGH BRACKET INSIDE WITH WELDED PIPE FINISHER
7	4	67220	M6 X 35 HEX SCREW SS DIN 931
8	12	67331	M8 X 20 BH SOCKET SCREW A2 ISO 7380
9	4	33596010	LOCK NUT M6 A2 DIN 985
10	4	33908001	LOCK NUT M8 A2 DIN 985
11	4	35600037	FLAT WASHER Ø8X8,4/16/1,6 A2 DIN 125 A

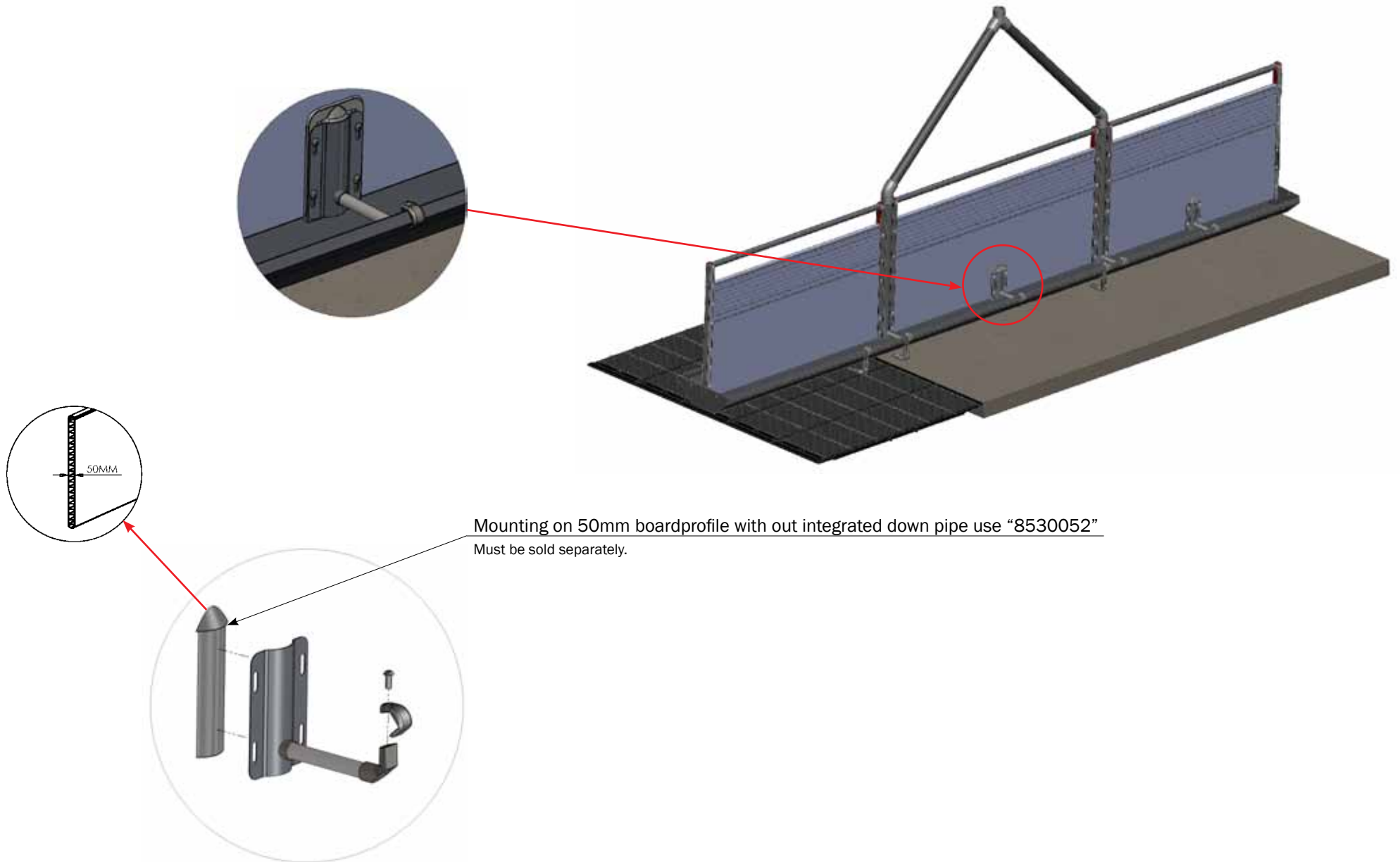
MOUNTING OF ADAPTER FOR SUPPORT LEG TO 35 MM BOARDPROFILE

Part № 30053



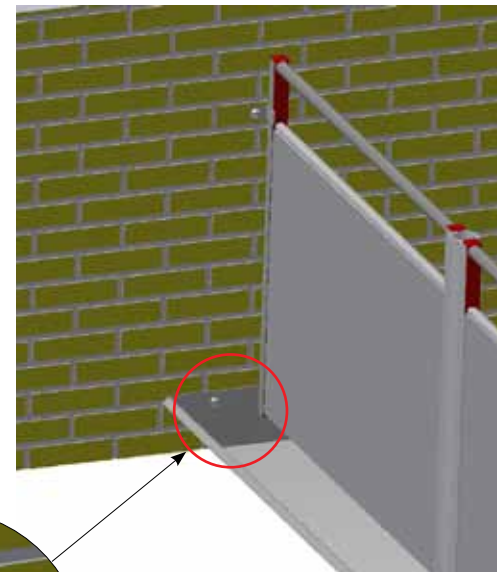
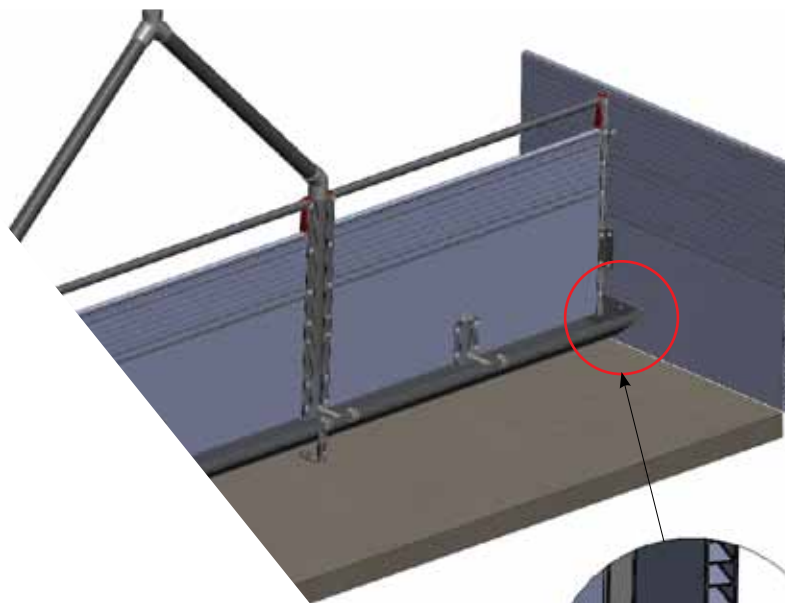
MOUNTING OF ADAPTER FOR SUPPORT LEG TO 50 MM BOARDPROFILE

Part № 8530052

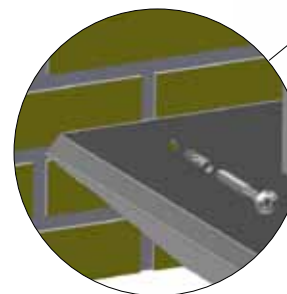
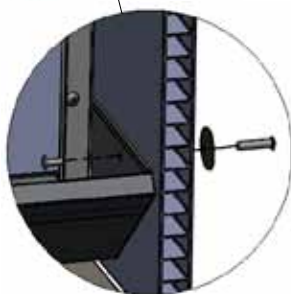


MOUNT KIT FOR BOARDPROFILE/WALL

Part № 38532

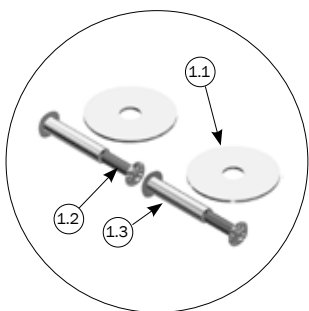


For mounting of liquidfeed wall look at mountinginstruction:
M-6199 CLEAN-O-FLEX 1000

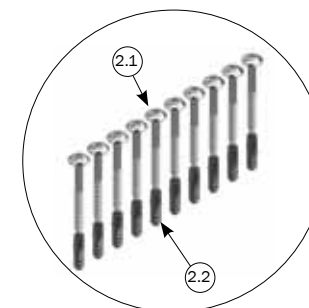


For mounting of trough against wall use "4800010"

Must be sold separately

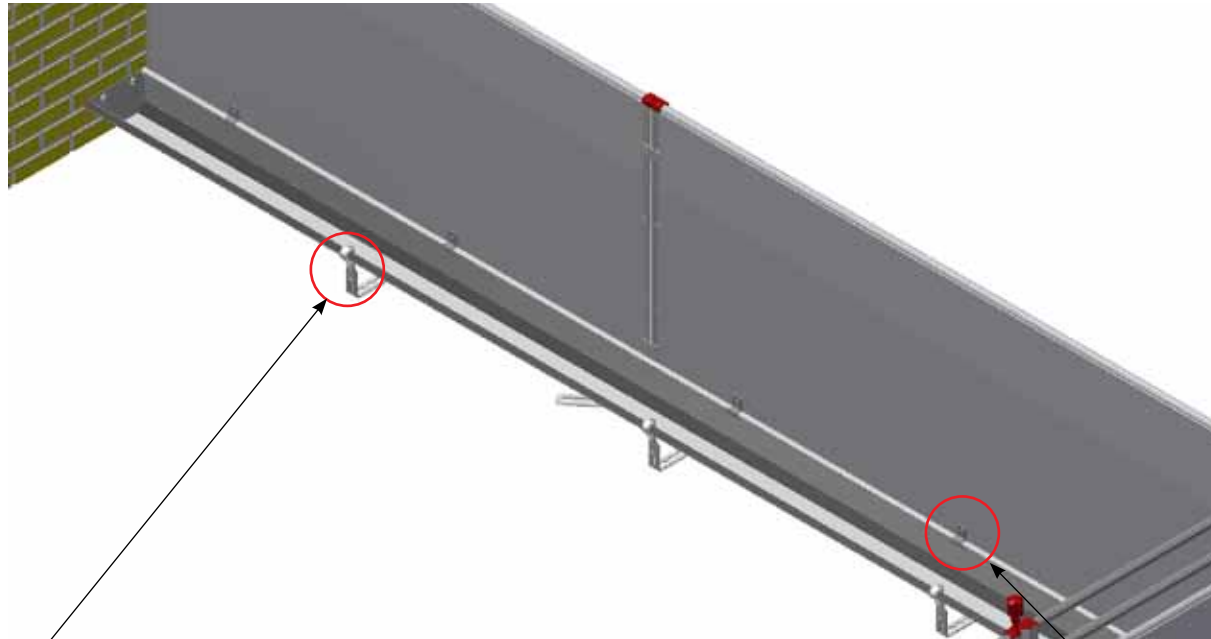


PARTS LIST			
NO.	PCS.	ITEM NO.	DESCRIPTION
1	1	38532	MOUNT KIT F/GRILLE H75 AGAINST FRONT PART BOARDPROFILE
1.1	2	20037	MASTER CLAMP SKIVE Ø10, 5/Ø451,5 A2
1.2	2	39106020	CONNECTION SCREW M6X20 STAINLESS TORX 30
1.3	2	39206037	SPLICING SLEEVE M6X37 STAINLESS TORX 30
2	1	4800010	10 PCS. SS BUTTON HEAD SCREWS 10X70 + WALL PLUG
2.1	10(2)	67444	10 X 70 BUTTON HEAD TORX 50 STAINLESS STEEL
2.2	10(2)	39900001	WALL PLUG 12X60 MM



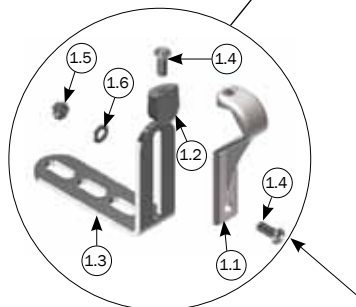
MOUNT KIT FOR LONG TROUGH AGAINST BOARDPROFILE

Part № 31050

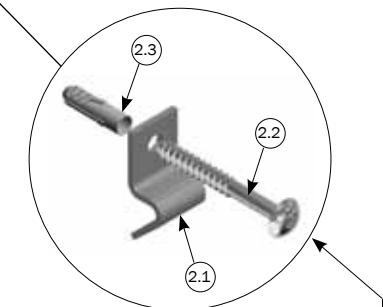


TROUGH BRACKET OUTSIDE 0-8 CM FINISHER “30985” max height will be 230 mm
Must be sold separately

PARTS LIST			
NO.	PCS.	ITEM NO.	DESCRIPTION
1	1	31001	FOOT BRACKET FOR EXTRA FOOT OR FOR SINGLE TROUGH, FINISHER
1.1	1	30986	TROUGH BRACKET OUTSIDE 0-5 CM
1.2	1	30988	TROUGH BRACKET INSIDE FOR 0-5 AND 0-8 CM
1.3	1	30991	FOOT BRACKET 0-8 CM FINISHER
1.4	2	30308020	SET SCREW M8X20 A2 DIN 933
1.5	1	33908001	LOCK NUT M8 A2 DIN 985
1.6	1	35600037	FLAT WASHER Ø8X8,4/16/1,6 A2 DIN 125 A
2	1	31050	WALLBRACKET F/SINGEL TROUGH AGAINST WALL
2.1	1	30947	WALL BRACKET SINGLE TROUGH
2.2	1	67444	10 X 70 BUTTON HEAD TORX 50 STAINLESS STEEL
2.3	1	39900001	WALL PLUG 12X60 MM



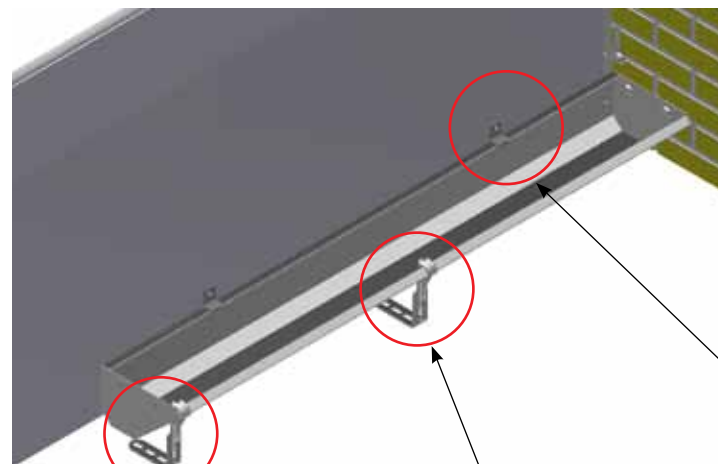
Distance between bracket max length 150 cm



Distance between bracket max length 75 cm

MOUNT KIT FOR SINGLE/DOUBLE TROUGH ON BOARDPROFILE

Part № 31051/31052



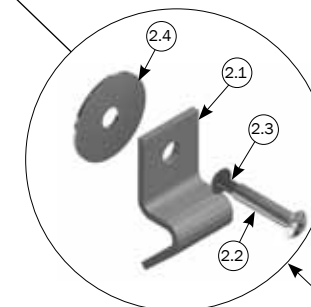
Start with foot bracket " 31001" if trough ends in the middle of the pen

TROUGH BRACKET OUTSIDE 0-8 CM FINISHER "30985" max height will be 230 mm

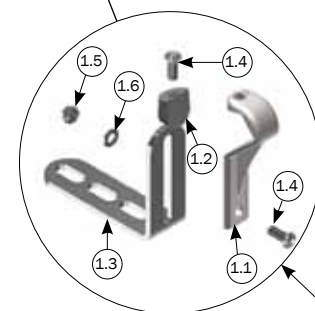
Must be sold separately

PARTS LIST

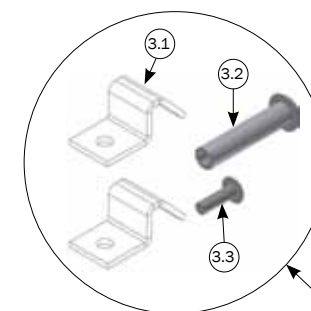
NO.	PCS.	ITEM NO.	DESCRIPTION
1	1	31001	FOOT BRACKET FOR EXTRA FOOT OR FOR SINGLE TROUGH, FINISHER
1.1	1	30986	TROUGH BRACKET OUTSIDE 0-5 CM
1.2	1	30988	TROUGH BRACKET INSIDE FOR 0-5 AND 0-8 CM
1.3	1	30991	FOOT BRACKET 0-8 CM FINISHER
1.4	2	30308020	SET SCREW M8X20 A2 DIN 933
1.5	1	33908001	LOCK NUT M8 A2 DIN 985
1.6	1	35600037	FLAT WASHER Ø8X8,4/16/1,6 A2 DIN 125 A
2		31051	WALLBRACKET FOR SINGEL TROUGH SINGEL AGAINST BOARDPROFILE
2.1	1	30947	WALL BRACKET SINGLE TROUGH
2.2	1	39206037	SPLICING SLEEVE M6X37 STAINLESS TORX 30
2.3	1	39106020	CONNECTION SCREW M6X20 STAINLESS TORX 30
2.4	1	20037	MASTER CLAMP WASHER Ø10,5/45 1,5 A2
3		31052	WALLBRACKET FOR SINGEL TROUGH DOUBLE AGAINST BOARDPROFILE
3.1	2	30947	WALL BRACKET SINGLE TROUGH
3.2	1	39206037	SPLICING SLEEVE M6X37 STAINLESS TORX 30
3.3	1	39106020	CONNECTION SCREW M6X20 STAINLESS TORX 30



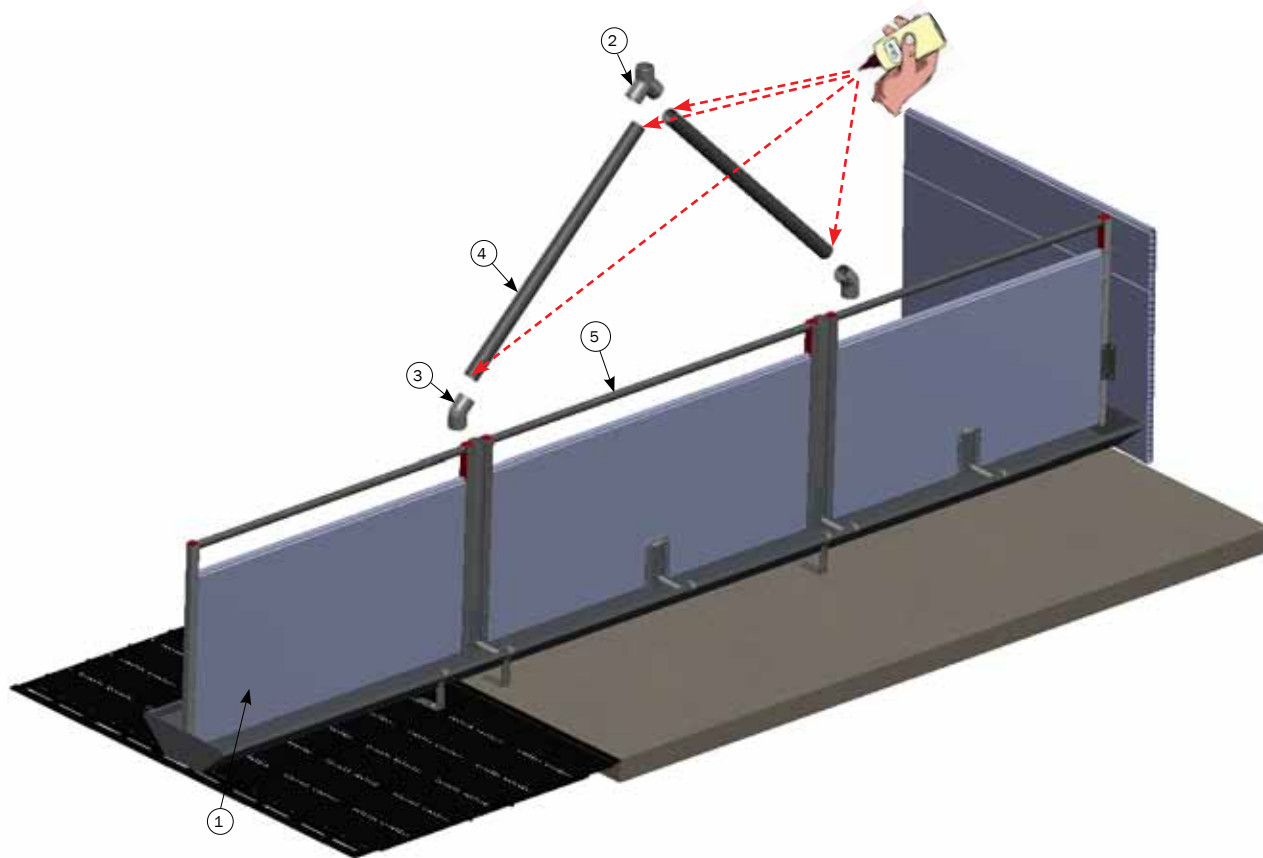
Distance between bracket max length 75 cm



Distance between bracket max length 150 cm



Distance between bracket max length 75 cm



PARTS LIST			
NO.	PCS.	ITEM NO.	DESCRIPTION
1	2	39705	LIQUIDFEED WALL H:100 FOR 1+2DOWNPIPE UPROFILE/DOWNSPIPE
2	1	23900115	PVC Y-PIPE, SHARP Ø63 MM X 90°
3	1	23900069	PVC ELBOW Ø63 MM X 45°
4	1	20000021	PVC TUBE Ø63X3MM - 10 BAR, PRICE PER METER, LENGTH 5 METER
5	1	39706	LIQUIDFEED WALL MIDDEL PIECE H100 BOARDPROFILE/BARS