

| MASTER HEATER |

The new generation of heating lamp

INSTALLATION GUIDE

M-8401_GB



UNITED STATES PATENT



ACO

FUNKI

DESCRIPTION

Master Heater

100%
MAINTENANCE
FREE

EU 220 - 240 V
Canada/USA 110- 120 V

Consumption	100W - or 150W
Connection	Select the plug / connector suitable for your stable (Not included)
Set content	Master Heater
Ambient temperatures	^-10/+40 degrees
IP Class	IPX9K

Advantages of Master Heater

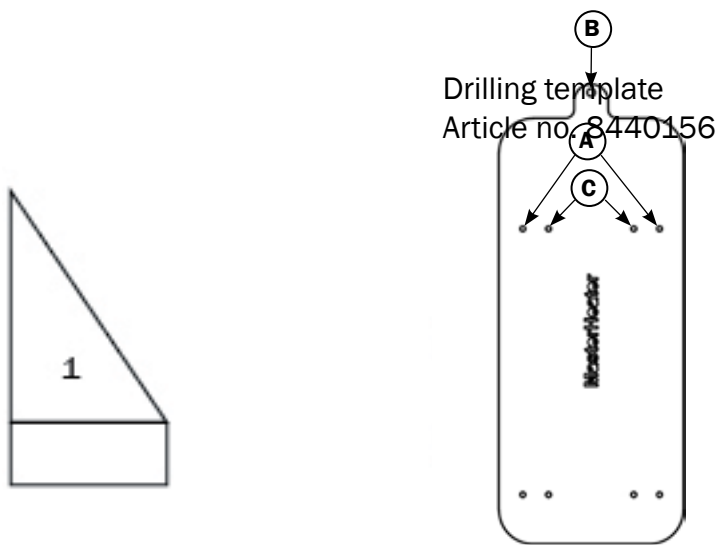
- **Reducing energy**
Reducing energy consumption in the stables by up to 50% when combined with dual control.
- **Even distribution of heat**
Providing more even distribution of heat than traditional heat lamps. This ensures better food intake and higher survival rates among piglets as well as reduces the use of medicine.
- **Waterproof IPX9K Approved**
Master Heater is IPX9K classified, which means that it can resist water jets under pressure from all angles without being damaged. This results in easy cleaning, as cleaning of the cave and lamp can be done with a high pressure cleaner, without the need to remove the lamp first. This helps maintain a high hygiene in the stable.
- **Long lifetime**
The Master Heater is made with a heating element instead of an incandescent light bulb in the traditional heating lamps, which prolongs the life of it. 1 year warranty.
- **Low fire risk**
Master Heater work at a lower temperature than traditional heat lamps which reduces the risk of fire.

100%
WATERPROOF



INSTALLATION PREPARATION

Master Heater



Preparation / Find Template

If housing inventory is already prepared for Master Heater - proceed to step 2.

The Master Heater may only be placed in pos. 1

The Drilling template can be ordered separately, article no. 8440156, and placed where the Master Heater is desired (1)

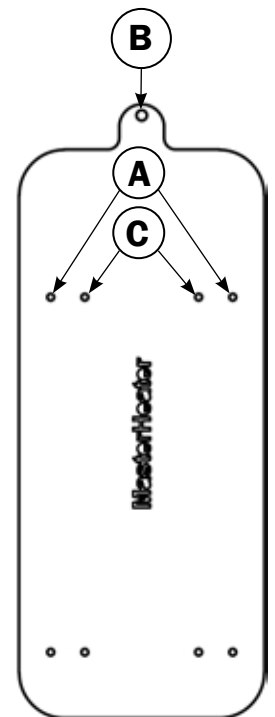
Before assembly

Make sure that the lid can be opened and closed after Master Heater is mounted, and make sure that the safety distance to floor and flammable material remains in compliance with applicable laws and recommendations.

Warning! Before drilling, you must check that there are no pipes, fittings or anything else in the way of the drilling.

INSTALLATION

Master Heater



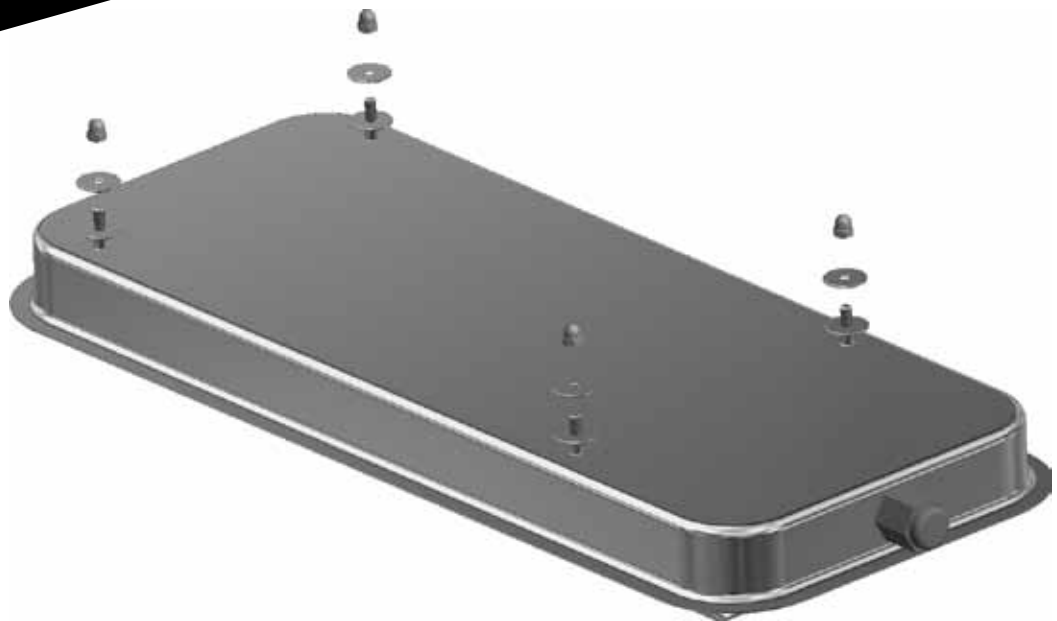
Electricity and controls must be installed by an authorized electrician installer. Master Heater has to be connected to ground/earth wire.

How to install Master Heater:

- Minimum. 450 mm. above the floor, and with minimum. 450 mm. distance to flammable material
- The holes on the template article no. 8440156 marked with **A**, needs to be drilled with a 6 mm drill (4 piece.)
- The holes on the template article no. 8440156 marked with **C**, needs to be drilled with a 6 mm drill (4 piece.)
- The holes on the template article no. 8440156 marked with **B**, needs to be drilled with a 9,5 mm. drill

INSTALLATION

Master Heater



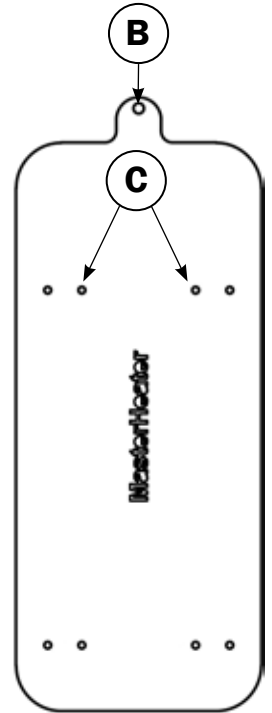
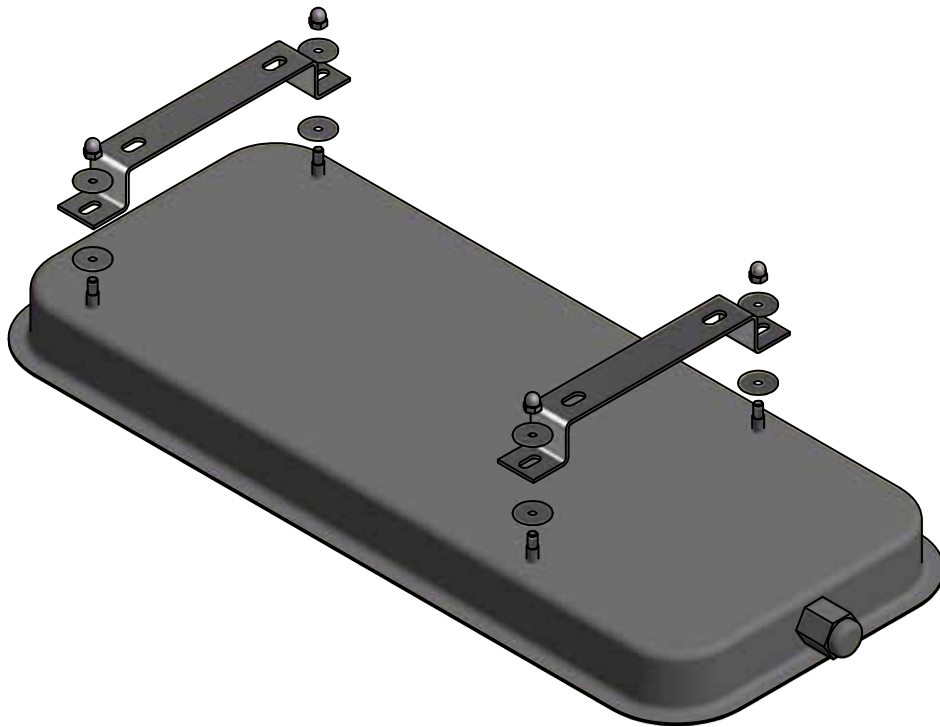
Mounting against piglet nestcover

- Place Master Heater on the floor/table, below the holes drilled in the roof of the cage.
- Master Heater have the wire net protection towards the floor, and the bolts with one metal disk on each facing up.
- The electric wire goes up into the drilled hole **(B)** pull the electric wire until Master Heater starts to go up, so the 4 bolts are hitting the 4 drilled holes **(A)** on the inside of the lid.
- When the bolts have come up through, you put one metal disk on each bolt, and then the Hex domed cap nuts on the 4 bolts.
- Make sure that the electric wire is pulled tight through. The Hex domed cap nuts is tightened, e.g with a ratchet wrench 7mm.

Make sure that the electric wire is pulled tight through so pigs / animals can't bite the electric wire. (Warranty does not cover wire bites)

INSTALLATION

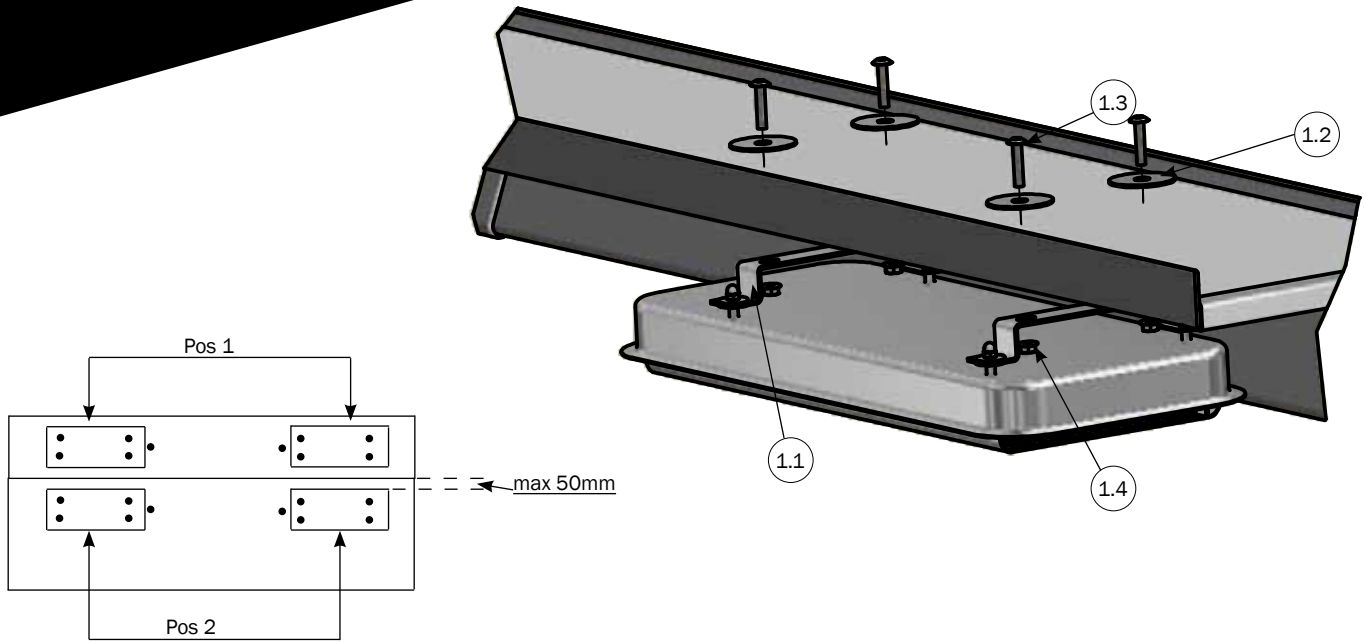
Master Heater



- Place Master Heater on the floor/table, below the holes drilled in the roof of the cave.
- Master Heater have the wire net protection towards the floor, and the bolts with one metal disk on each facing up and mount 4900532

INSTALLATION

Master Heater



PART LIST			
NO.	PCS.	ITEM NO.	DESCRIPTION
1	1	4900532	MOUNTING KIT FOR MASTER HEATER ON FLEXCOVER
1.1	2	8050121	SUPPORT FOR MASTER HEATER
1.2	4	20037	MASTER CLAMP WASHER Ø10,5/45 1,5 A2
1.3	4	39106030	CONNECTION SCREW M6X30 STAINLESS TORX 30
1.4	4	33506011	COLLAR HEAD NUT M6 A2 DIN 6923

Mounting against flex cover

- The electric wire goes up into the drilled hole **(B)** pull the electric wire until Master Heater starts to go up, so the 4 bolts are hitting the 4 drilled holes **(C)** on the inside of the lid.
- When the bolts have come up through, you put one metal disk on each bolt, and then the Hex domed cap nuts on the 4 bolts.
- Make sure that the electric wire is pulled tight through. The Hex domed cap nuts is tightened, e.g with a ratchet wrench 7mm.

Make sure that the electric wire is pulled tight through so pigs / animals can't bite the electric wire. (Warranty does not cover wire bites)

USER GUIDE

Master Heater

Application

- When Master Heater is plugged in, check if Master Heater is functioning correctly, by feeling with one hand on the wire net protection.
- WARNING! Do not touched the heating element under the wire net protection, risk of burns.
- Master Heater is turned off by disconnecting the power



The heater must not be touched when power is on.



Wait 30 minutes after the lamp is turned off before touching Master Heater



Do not place flammable materials within 450 mm. distance from Master Heater

MAINTENANCE

Master Heater

Maintenance

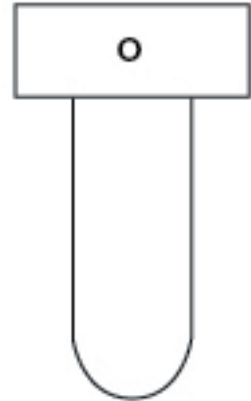
Master Heater is 100% waterproof (IPX9K) and is able to resist the power of a pressure washing. It is therefore not necessary to remove the Master Heater when cleaning, which saves a lot of time in the stable.

WARNING! Wait 30 min. before cleaning or repairing Master Heater

- Before the repair and maintenance of Master Heater, ensure that the power is off and the lamp has had a cooling time of least 30 minutes.
- Master Heater is in 4 parts - Wire net protection - heater with electric wire and plastic block - Dish and lamp housing. All parts can be replaced.
- Master Heater should not be used if Master Heater have got injuries that have left cracks / holes in Master Heater / electric wire / connector / heater.
- Inspect Master Heater for damage regularly, however at least every six months.

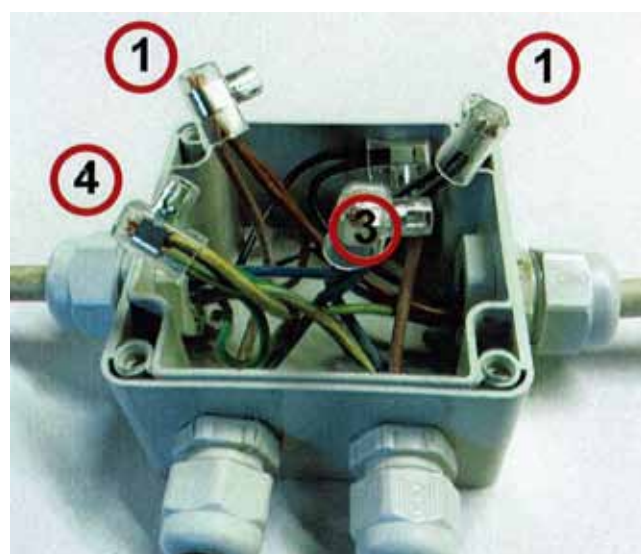
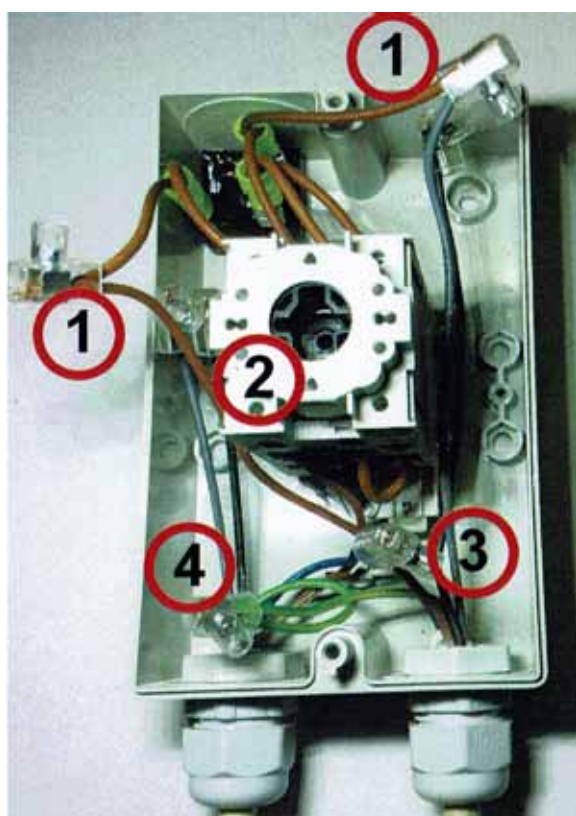
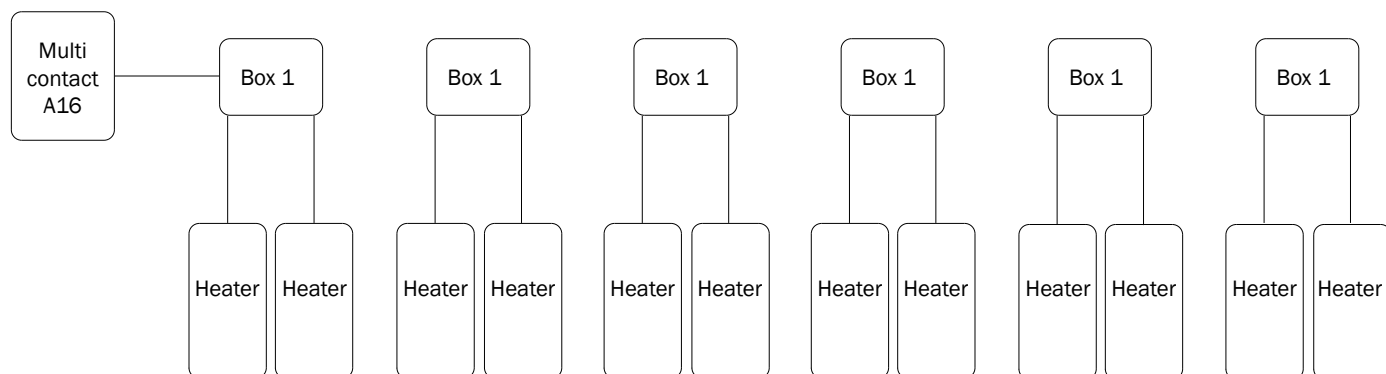
REPLACEMENT OF HEATING ELEMENT.

Master Heater



- Master Heater disconnected from power. We recommend a authorized electrician to do it.
- Wait 30 minutes for the heater to cool down.
- Loosen the wire net protection on Master Heater on one side, for example with a plier.
- Loosen the two lock nuts in plastic block, and remove them for example using a ratchet wrench (7 mm), also the 2 metal discs removed.
- Electric wiring is loosened
- The 2 bolts holding the heating element can now be removed.
- The heating element can now be removed.
- New heating element is inserted, by first inserting the wire (O must face up.) and the heating element pulled up in place.
- Then insert bolts, metal discs and the Hex domed cap nuts. The Hex domed cap nuts is tightened for. example with a ratchet wrench 7 mm.

Installations guide



- Box 1
- 1 = Heater intalled symmetrically
(same number mounted on each side)
 - 2 = Power Supply
 - 3 = 0
 - 4 = Earth

Multi contact A16
For 2 - 16 Heater
(Always equal number of heater 2-4-6 op til 16)

- 1 = Heater installed symmetrically
(same number mounted on each side)
- 2 = Power Supply
- 3 = 0
- 4 = Earth

HEATER



The electrical conductors **must** be fully secured - **Obs: always** use authorized electricians.

GUARANTEE

Master Heater

1 year warranty is provided on the Master Heater.
If there are any complaints in the warranty period, please contact your local supplier.
Please note that any form of bites in the electrical wiring is not included in the warranty.



| FUNKI |

ACO FUNKI A/S

Kirkevænget 5 | 7400 Herning
+45 9711 9600 | www.acofunki.com

DANISH DESIGN | GERMAN QUALITY | GLOBAL EXPERIENCE