

MOUNTING INSTRUCTION



STRAW HOLDER FOR FARROWING BOX

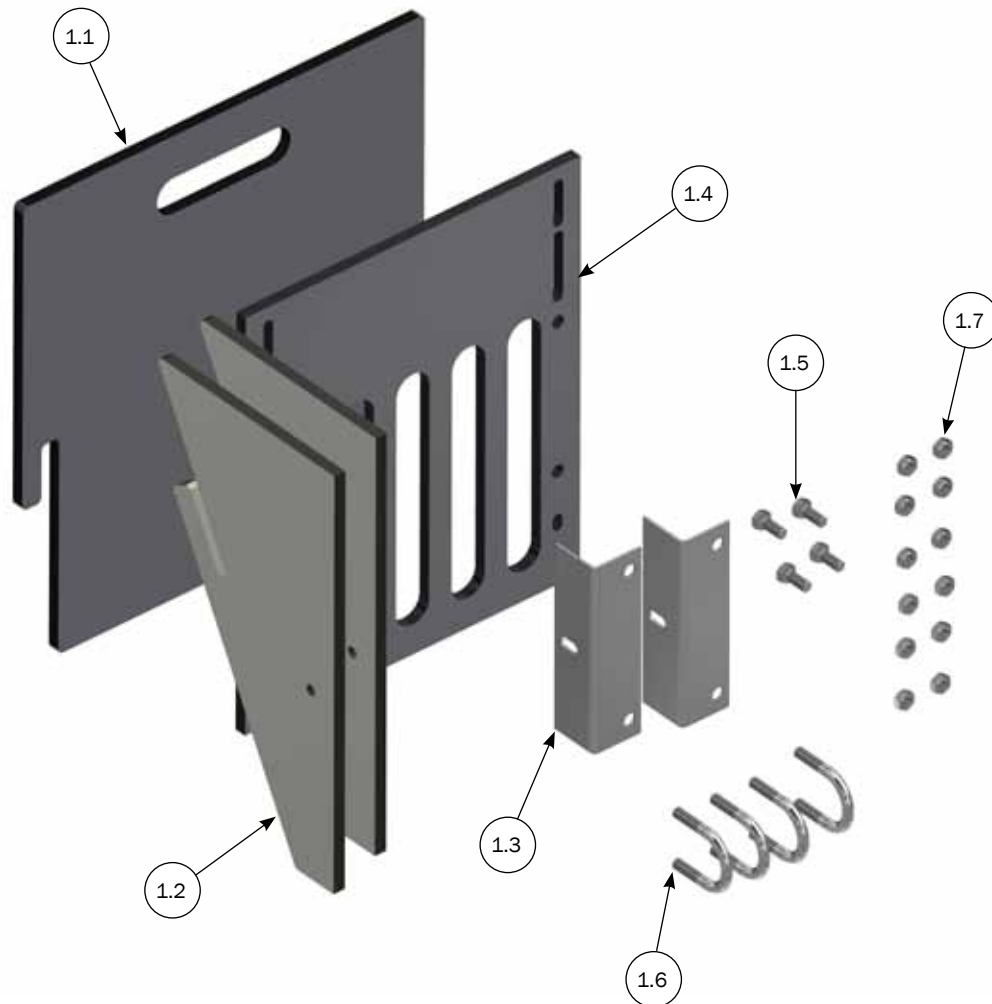


ACO FUNKI A/S
Kirkevænget 5
DK-7400 Herning

Tel. +45 9711 9600
Fax +45 9711 9677
www.acofunki.com

DANISH DESIGN | GERMAN QUALITY | GLOBAL EXPERIENCE

Parts list for STRAW HOLDERS

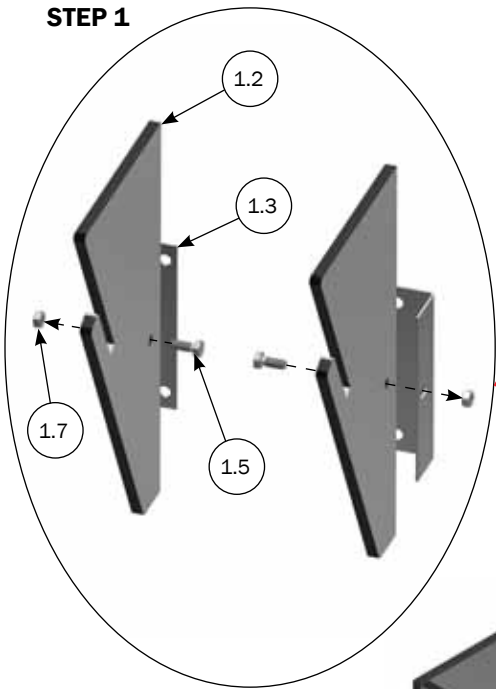


PARTS LIST			
No.	PCS	ITEM No.	DESCRIPTION
1		2100641	STRAW HOLDERS FOR FARROWING
1.1	1	8470112	FRONT PLATE FOR STRAW HOLDERS
1.2	2	8470113	SIDE PLATE FOR STRAW HOLDERS
1.3	2	2150260	ANGLE BRACKET FOR FARROWING
1.4	1	8470111	BAG PLATE FOR STRAW HOLDERS
1.5	4	30308020	SET SCREW M8X20 A2 DIN 933
1.6	4	90100062	U-BOLT 1" STAINLESS
1.7	12	33508013	NUT M8 A2 DIN 934

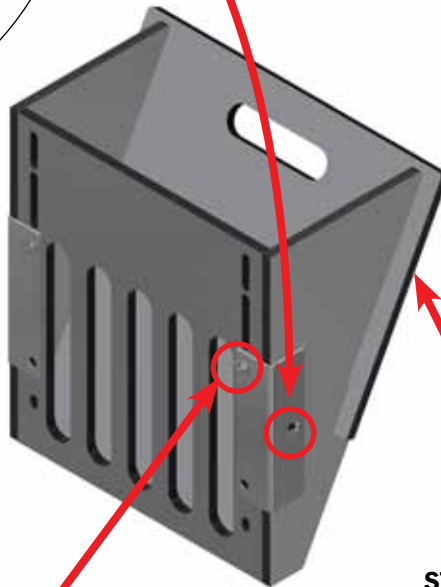
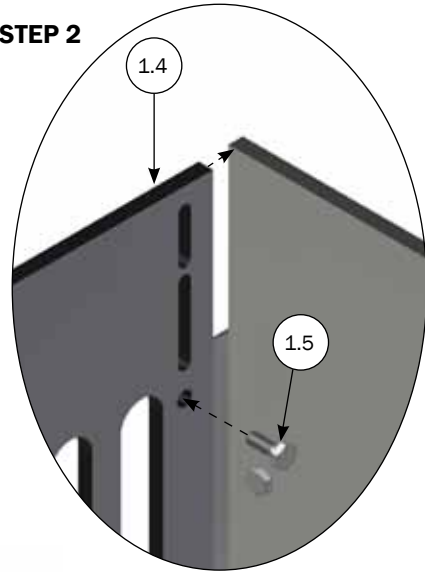
Preparing of STRAW HOLDERS for mounting in farrowing box

○ For parts list, look at page 2

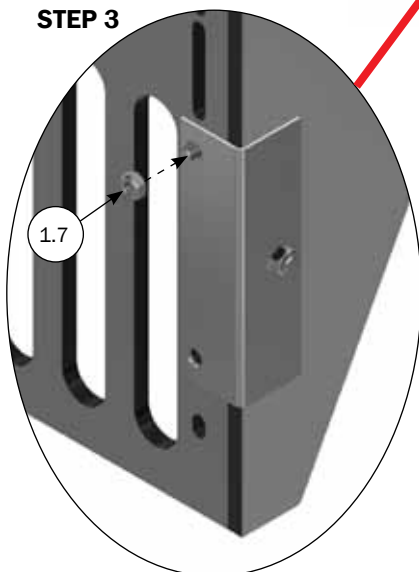
STEP 1



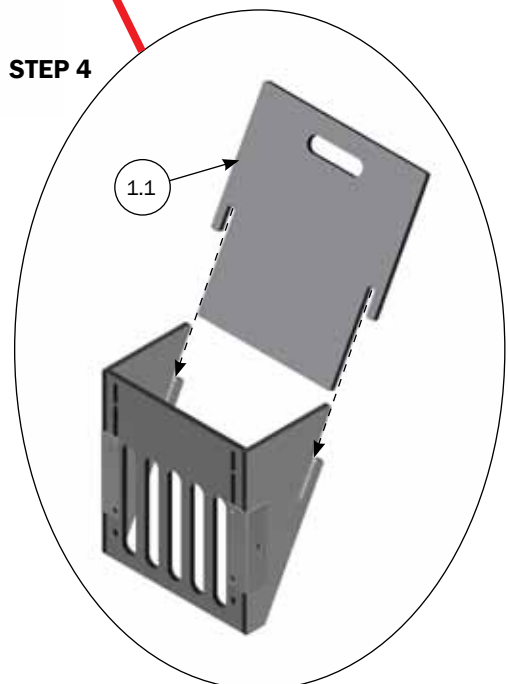
STEP 2



STEP 3

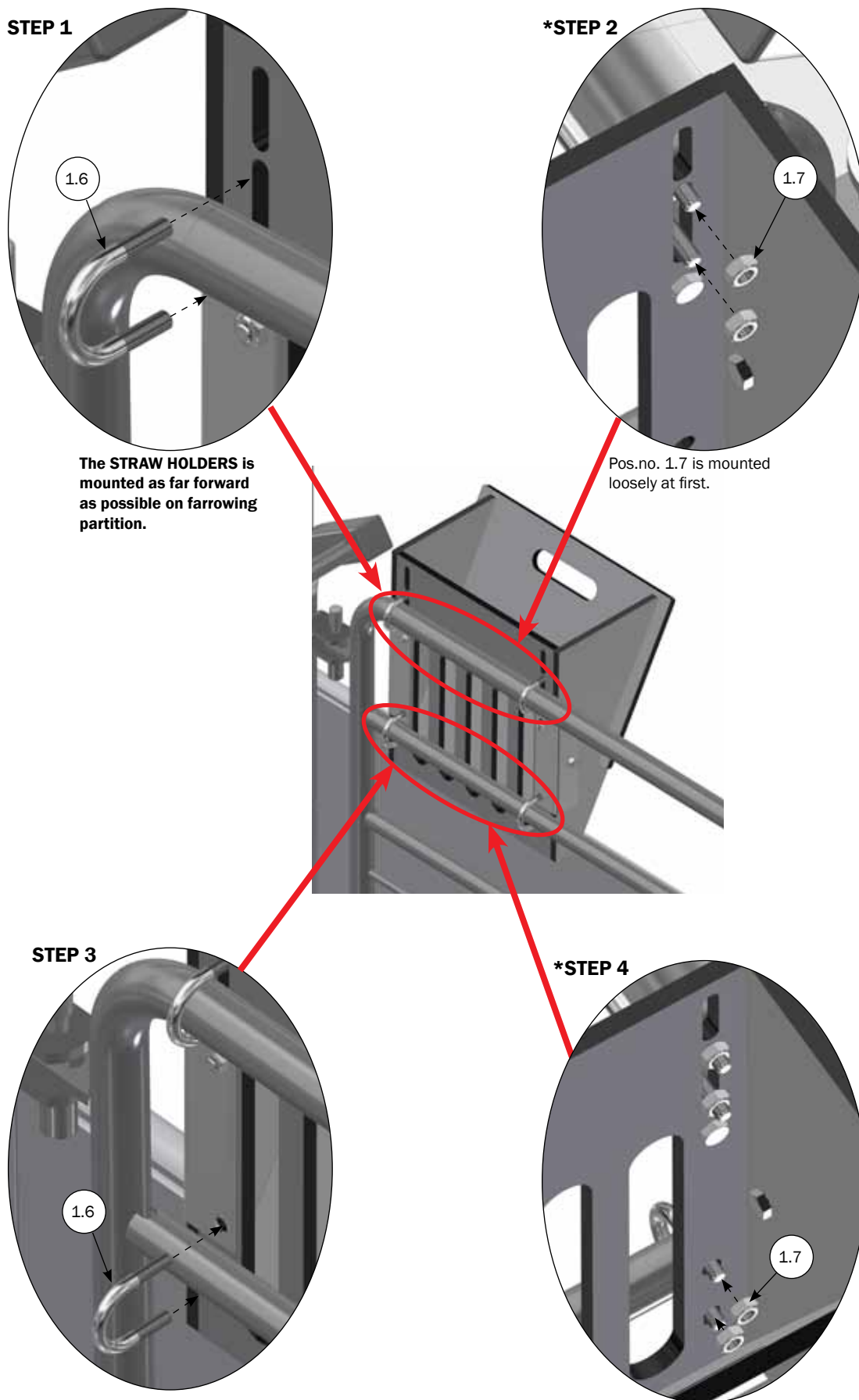


STEP 4

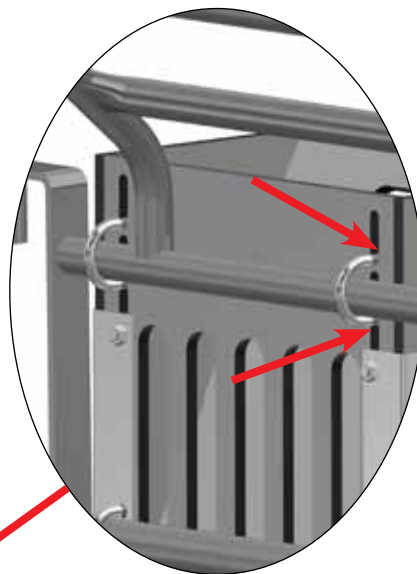


Mounting of STRAW HOLDERS on farrowing partition in farrowing box

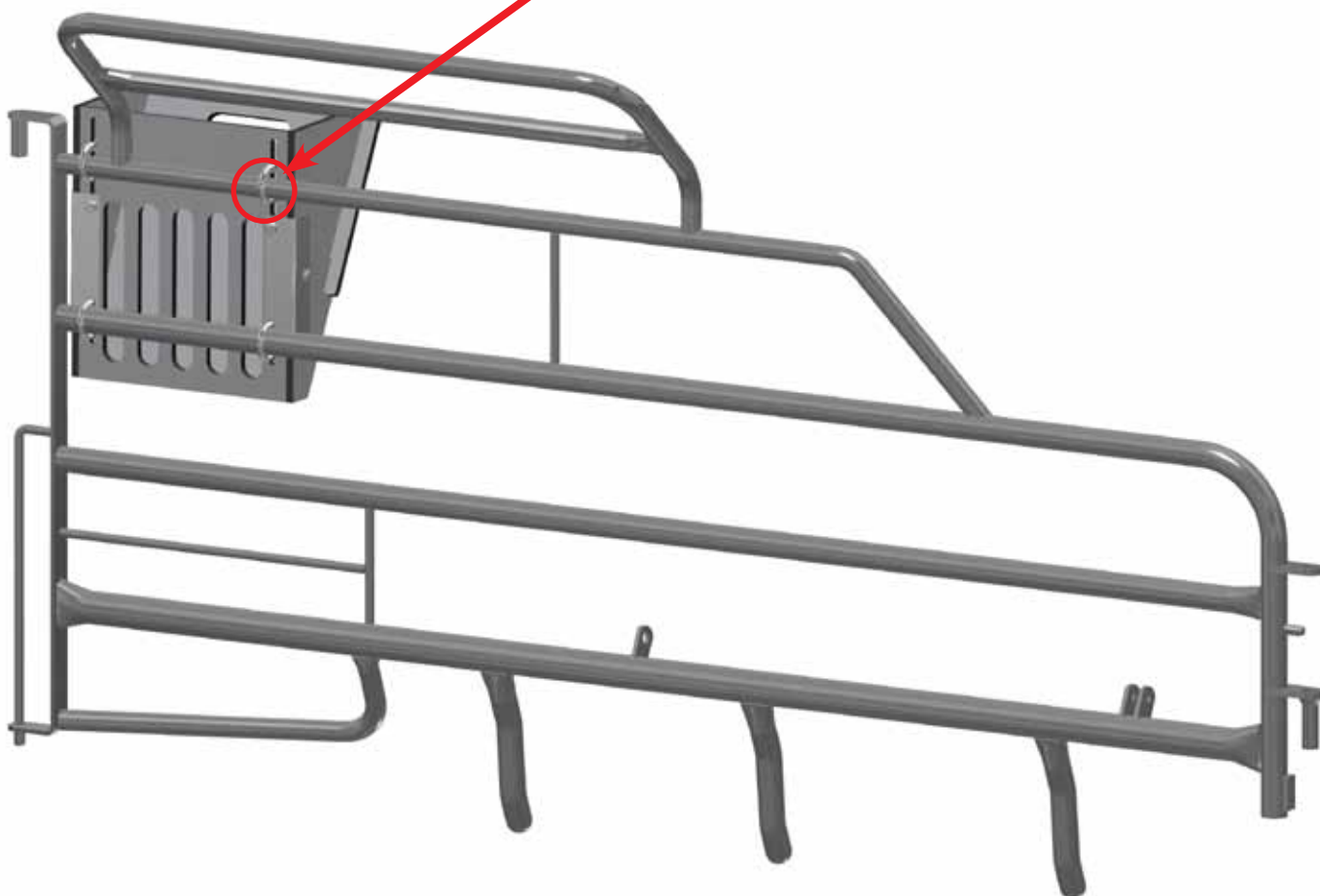
○ For parts list, look at pages 2



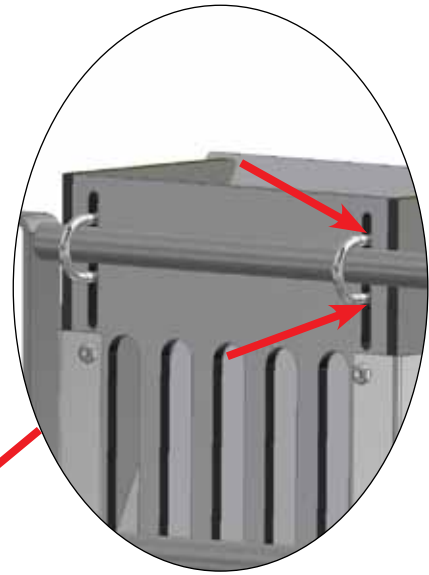
STRAW HOLDERS mounted on farrowing partition xl short export



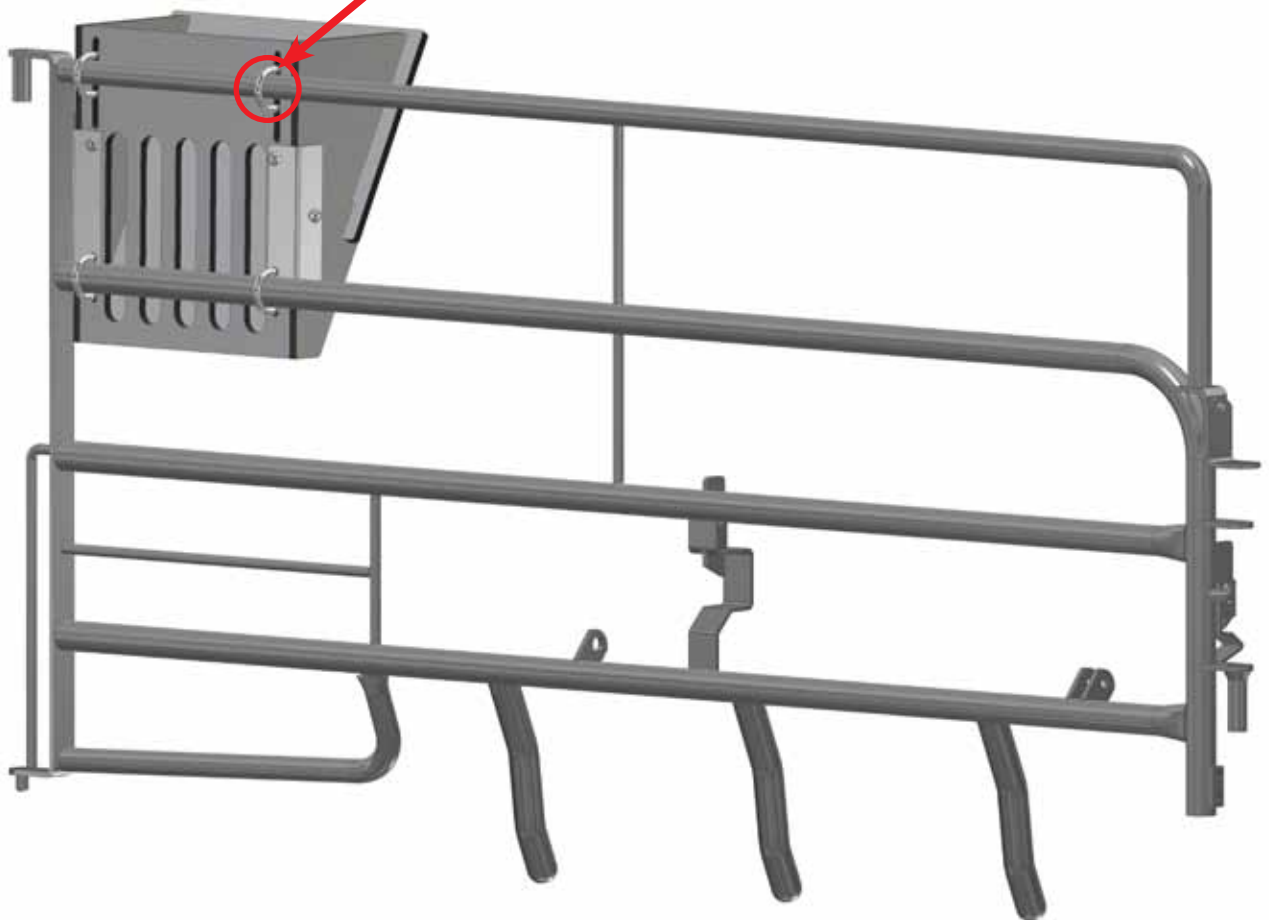
Positions of u-bolts when mounting STRAW HOLDERS on:
FARROWING PARTITION XL SHORT EXPORT



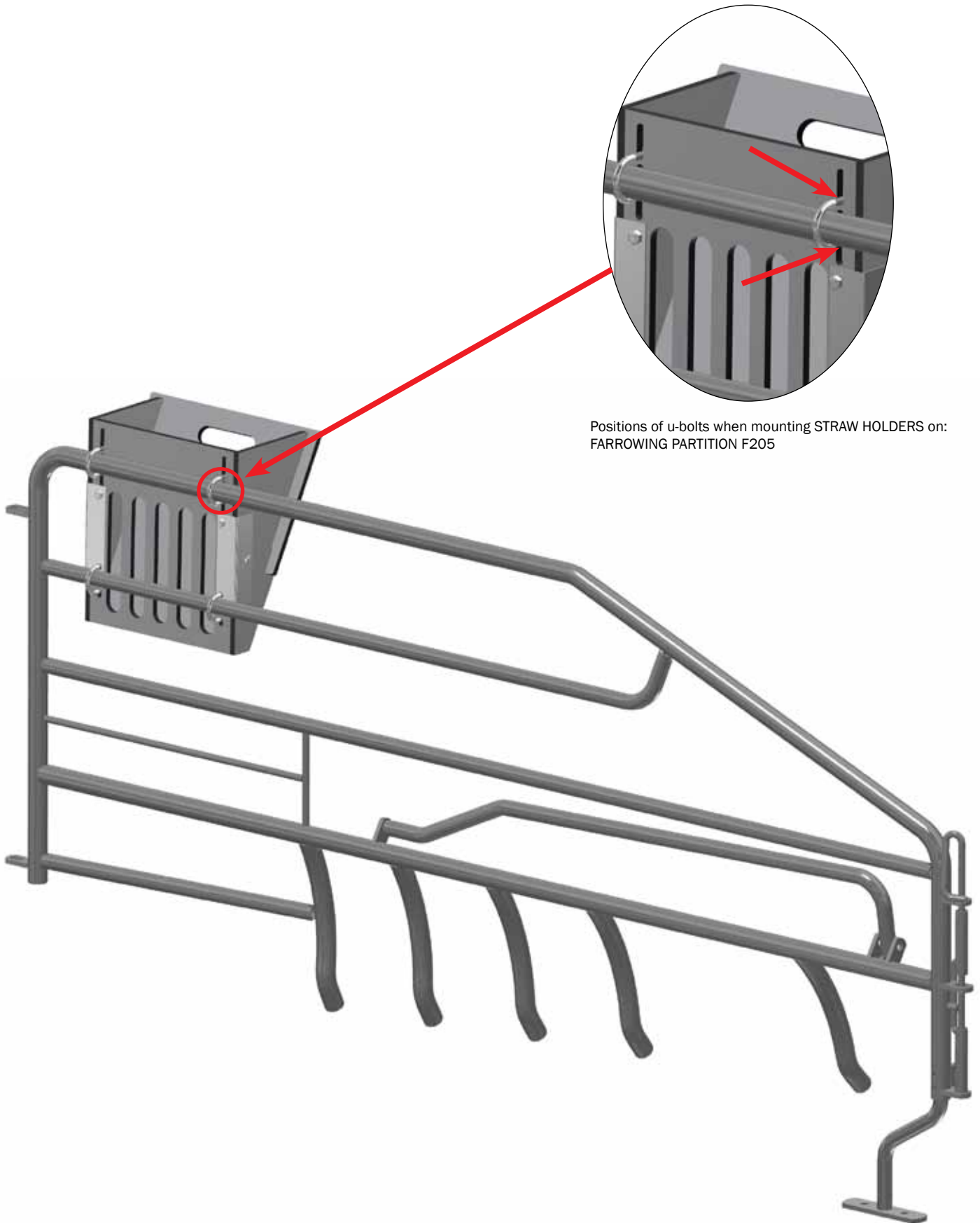
STRAW HOLDERS mounted on pivotal side



Positions of u-bolts when mounting STRAW HOLDERS on:
PIVOTAL SIDE.



STRAW HOLDERS mounted on farrowing partition F205



Positions of u-bolts when mounting STRAW HOLDERS on:
FARROWING PARTITION F205

Mounting of STRAW HOLDERS in farrowing box

STRAW HOLDERS holder can be placed in both sides.

