

M-8607_GB

MOUNTING INSTRUCTION



STRAW HOLDER FOR FINISHER, WEANERS AND SOWS



ACO FUNKI A/S

Kirkevænget 5
DK-7400 Herning

Tel. +45 9711 9600

Fax +45 9711 9677

www.acofunki.com

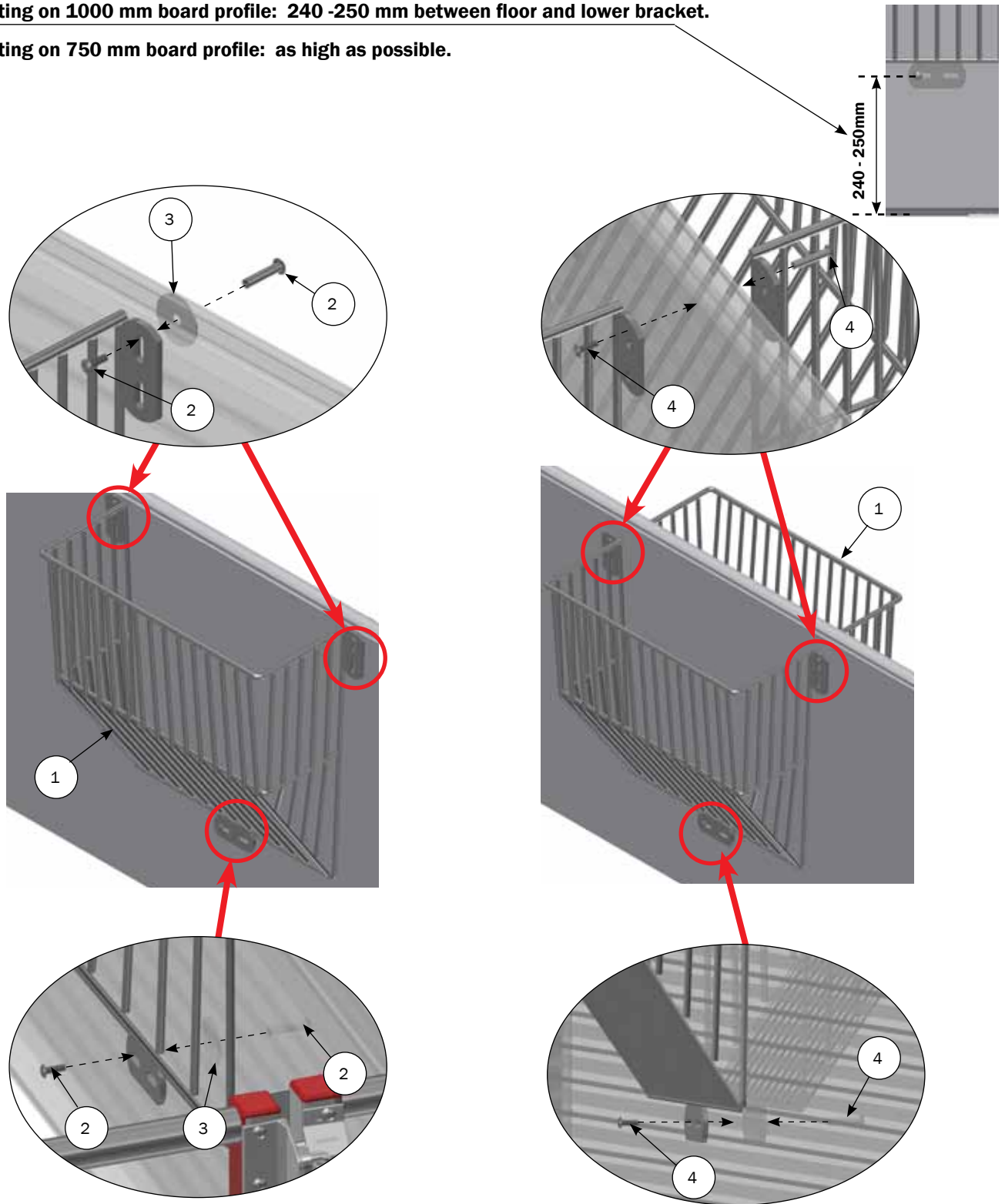
FUNKI

DANISH DESIGN | GERMAN QUALITY | GLOBAL EXPERIENCE

STRAW HOLDER for weaners and finisher mounted on board profile

* When mounting on 1000 mm board profile: 240 -250 mm between floor and lower bracket.

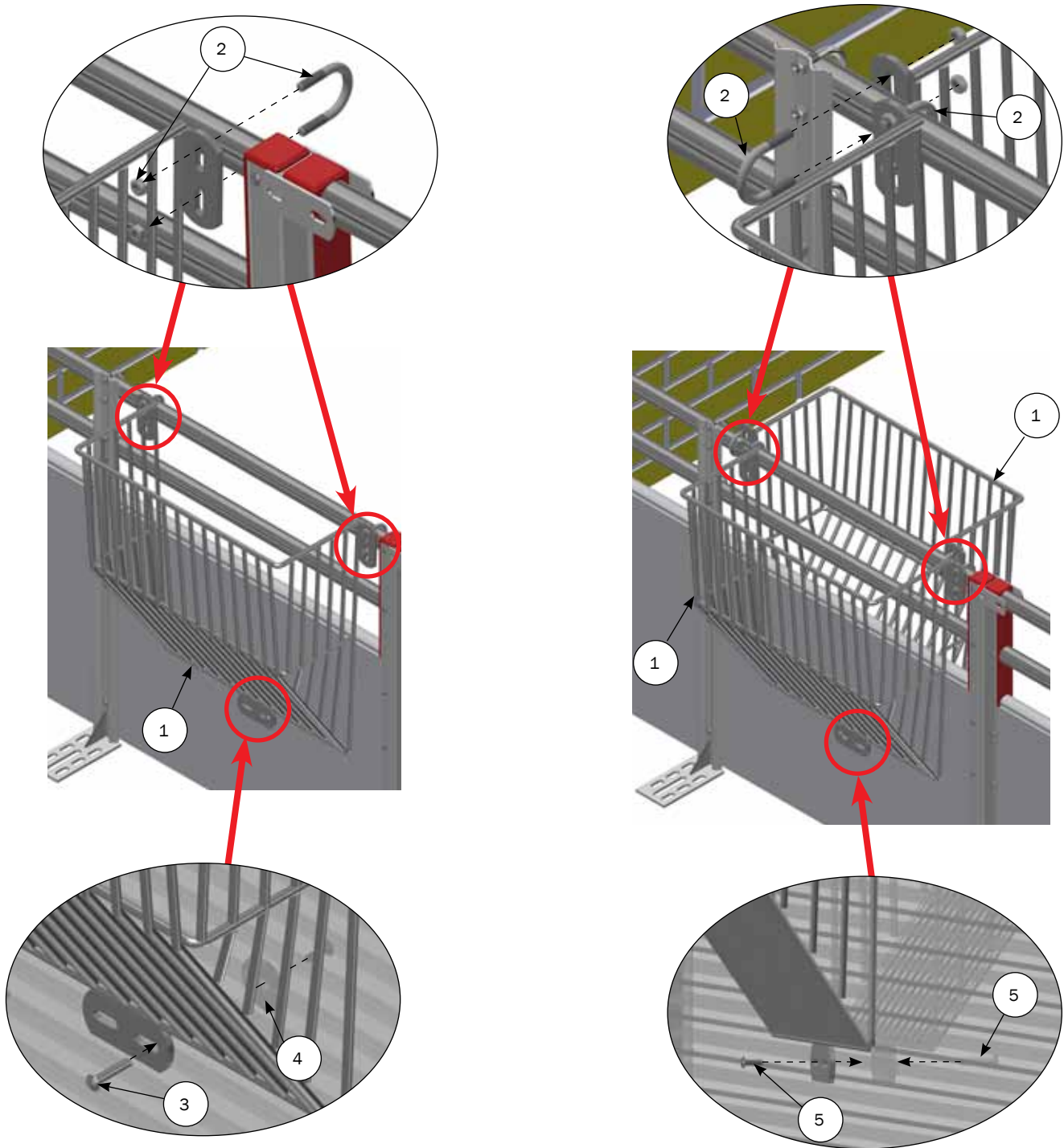
* When mounting on 750 mm board profile: as high as possible.



SINGLE MOUNTING AGAINST BOARD PROFILE			
No.	PCS.	ITEM No.	DESCRIPTION
1	1	4920526	STRAW HOLDER GALV. FOR WEANERS AND FINISHER
2	3	4900466	CONNECTING SCREW SET 39-48 MM, STAINLESS
3	3	20037	MASTER CLAMP WASHER Ø10,5/45 1,5 A2
DOUBLE MOUNTING AGAINST BOARD PROFILE			
1	2	4920526	STRAW HOLDER GALV. FOR WEANERS AND FINISHER
4	3	4900467	CONNECTING SCREW SET 44-58 MM, STAINLESS

STRAW HOLDER for weaners and finisher mounted on board profile/pipe

* When mounting on board profile/pipe: Top bracket is always mounted on top pipe.

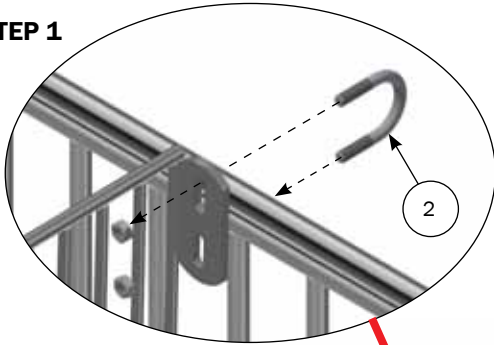


SINGLE MOUNTING AGAINST BOARD PROFILE/PIPE			
No.	PCS.	ITEM No.	DESCRIPTION
1	1	4920526	STRAW HOLDER GALV. FOR WEANERS AND FINISHER
2	2	1900109	U-BOLT 1' , INCL NUTS GALVANISED
3	1	4900466	CONNECTING SCREW SET 39-48 MM, STAINLESS
4	1	20037	MASTER CLAMP WASHER Ø10,5/45 1,5 A2
DOUBLE MOUNTING AGAINST BOARD PROFILE/PIPE			
1	2	4920526	STRAW HOLDER GALV. FOR WEANERS AND FINISHER
2	4	1900109	U-BOLT 1' , INCL NUTS GALVANISED
5	1	4900467	CONNECTING SCREW SET 44-58 MM, STAINLESS

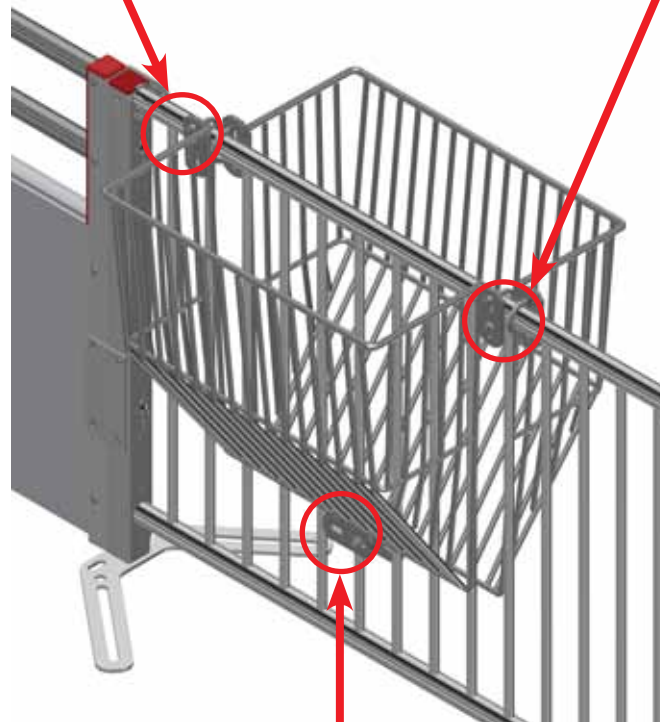
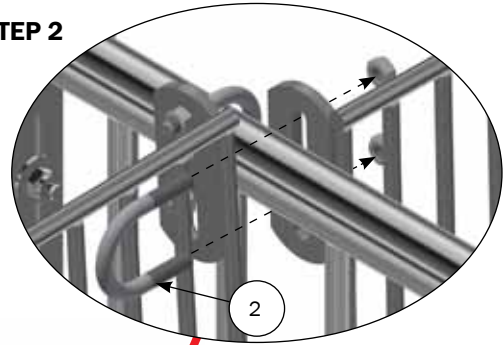
STRAW HOLDER for weaners and finisher mounted on grille

* Is mounted double on grille.

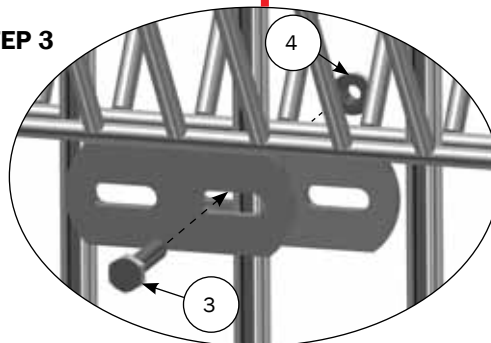
STEP 1



STEP 2

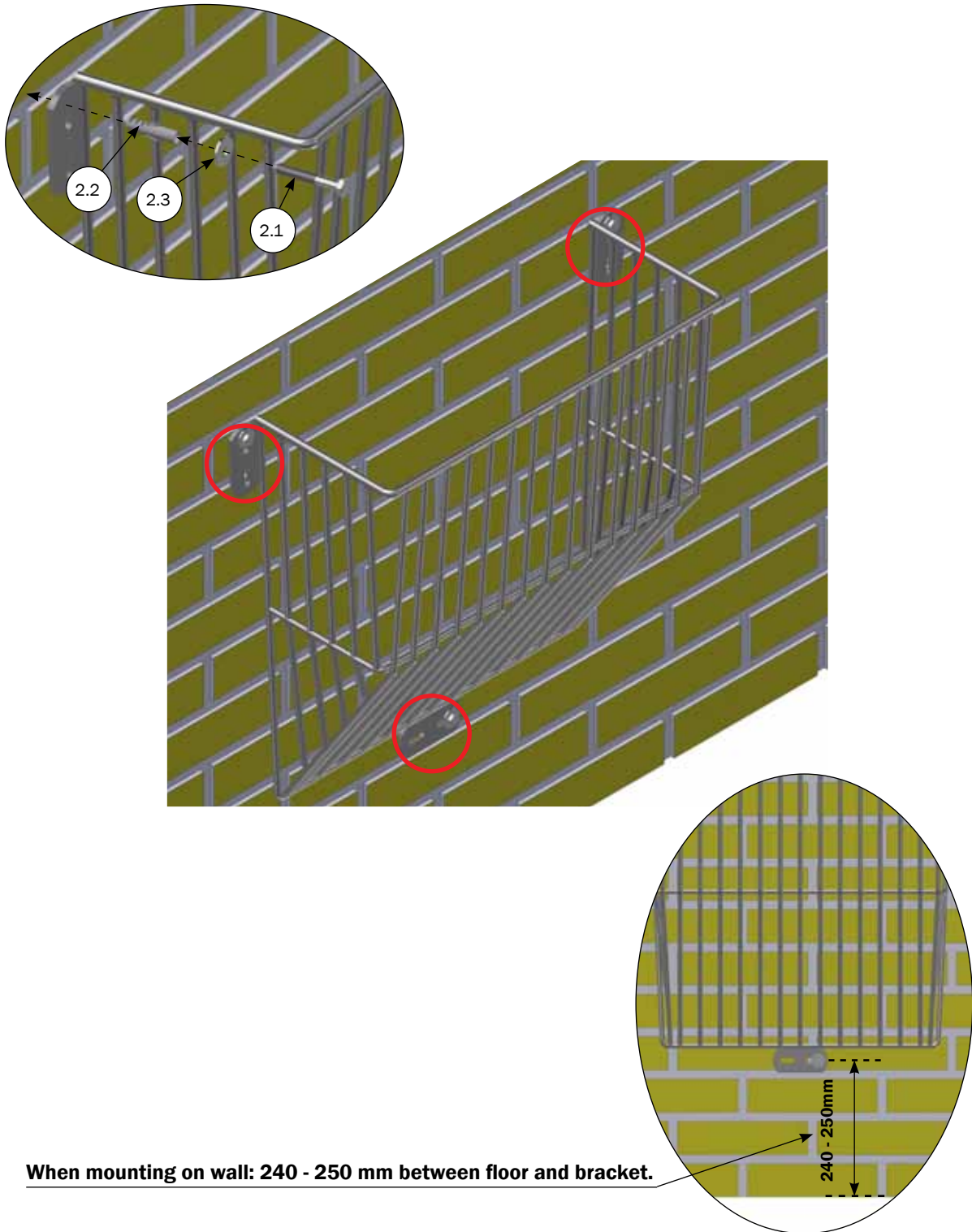


STEP 3



DOUBLE MOUNTING AGAINST GRILLE			
No.	PCS.	ITEM No.	DESCRIPTION
1	2	4920526	STRAW HOLDER GALV. FOR WEANERS AND FINISHER
2	4	1900109	U-BOLT 1', INCL NUTS GALVANISED
3	1	30308035	SET SCREW M8X35 A2 DIN 933
4	1	68552	M8 FLANGE NUT DIN 6923 A2

STRAW HOLDER for weaners and finisher mounted on wall

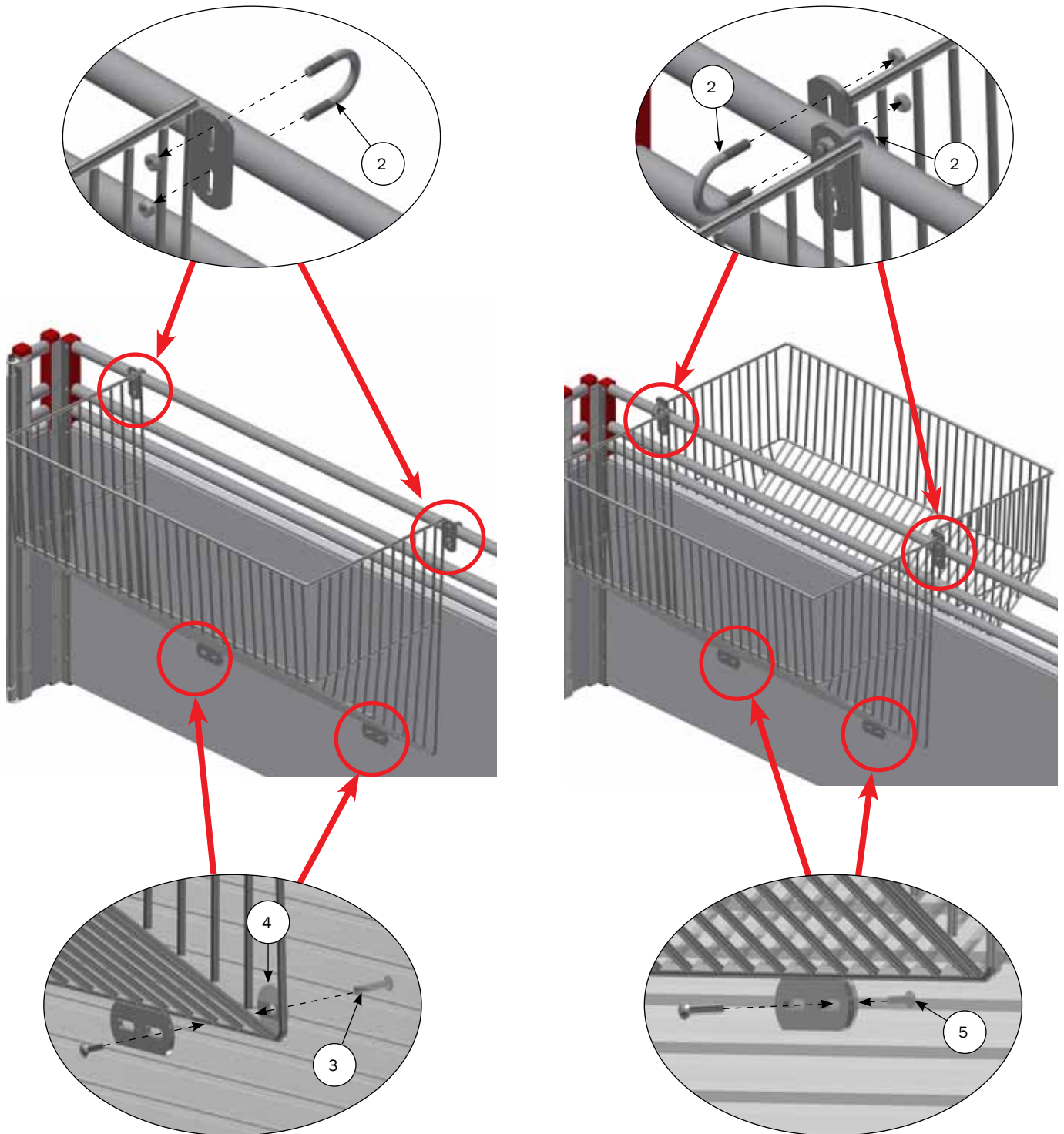


When mounting on wall: 240 - 250 mm between floor and bracket.

MOUNTING AGAINST WALL			
No.	PCS.	ITEM No.	DESCRIPTION
1	1	4920526	STRAW HOLDER GALV. FOR WEANERS AND FINISHER
2	1	4800015	10 PCS. STAINL. COACH SCREWS M8X60 + DOWEL + WASHER
2.1	3	34908061	COUCH SCREW M8X60 A2 DIN 571
2.2	3	39900120	WALL PLUG 10X50MM
2.3	3	35600058	NUT WASHER Ø8X8,4/24/2 A2 DIN9021

STRAW HOLDER for sows mounted on board profile/pipe

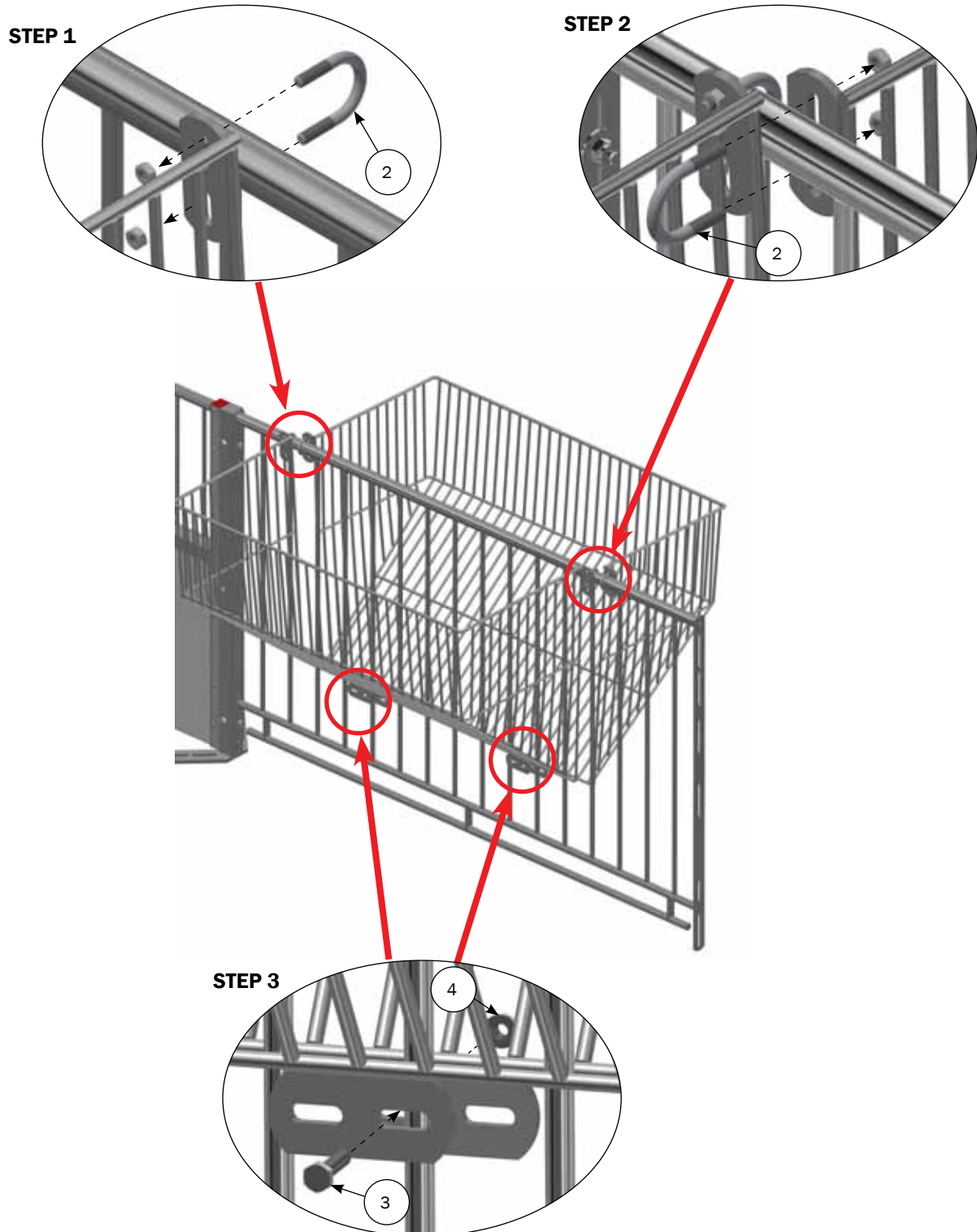
* When mounting on board profile/pipe: Top bracket is always mounted on top pipe.



SINGLE MOUNTING AGAINST BOARD PROFILE/PIPE			
No.	PCS.	ITEM No.	DESCRIPTION
1	1	1920526	STRAW HOLDER GALV. FOR SOWS
2	2	1900109	U-BOLT 1' , INCL NUTS GALVANISED
3	2	4900466	CONNECTING SCREW SET 39-48 MM, STAINLESS
4	2	20037	MASTER CLAMP WASHER Ø10,5/45 1,5 A2
DOUBLE MOUNTING AGAINST BOARD PROFILE/PIPE			
1	2	1920526	STRAW HOLDER GALV. FOR SOWS
2	4	1900109	U-BOLT 1' , INCL NUTS GALVANISED
5	2	4900467	CONNECTING SCREW SET 44-58 MM, STAINLESS

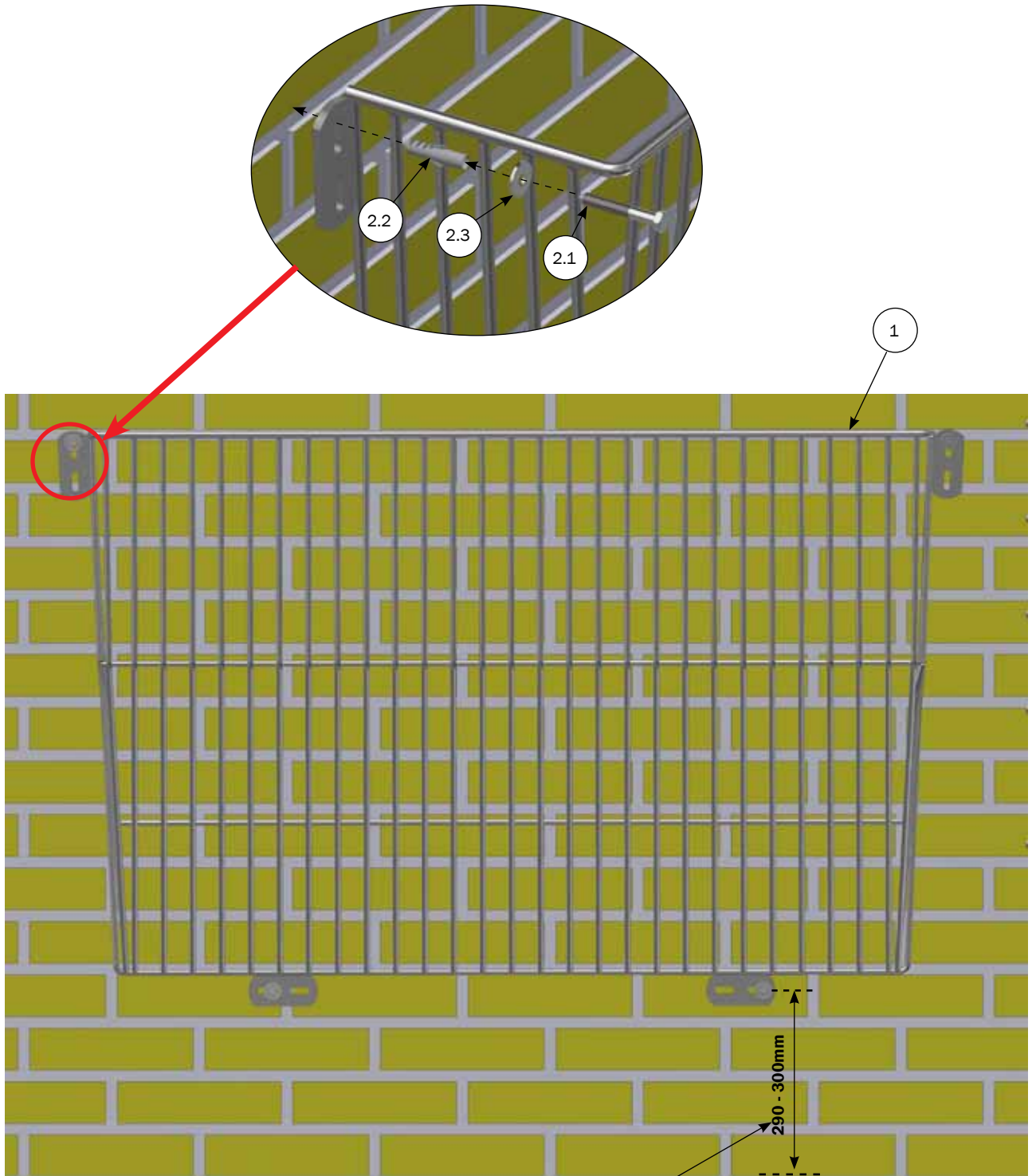
STRAW HOLDER for sows mounted on grille

* Is mounted double on grille.



DOUBLE MOUNTING AGAINST GRILLE			
No.	PCS.	ITEM No.	DESCRIPTION
1	2	4920526	STRAW HOLDER GALV. FOR SOWS
2	4	1900109	U-BOLT 1', INCL NUTS GALVANISED
3	2	30308035	SET SCREW M8X35 A2 DIN 933
4	2	68552	M8 FLANGE NUT DIN 6923 A2

STRAW HOLDER for sows mounted on wall



When mounting on wall: 290 - 300 mm between floor and bracket.

MOUNTING AGAINST WALL			
No.	PCS.	ITEM No.	DESCRIPTION
1	1	1920526	STRAW HOLDER GALV. FOR SOWS
2	1	4800015	10 PCS. STAINL. COACH SCREWS M8X60 + DOWEL + WASHER
2.1	4	34908061	COUCH SCREW M8X60 A2 DIN 571
2.2	4	39900120	WALL PLUG 10X50MM
2.3	4	35600058	NUT WASHER Ø8X8,4/24/2 A2 DIN9021