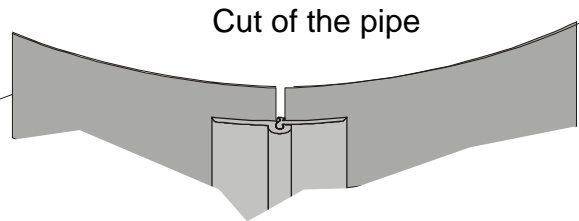
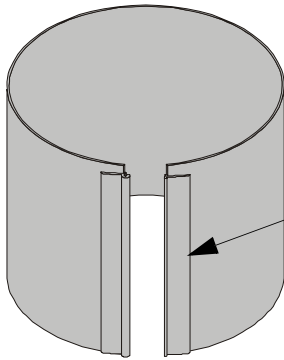


GB

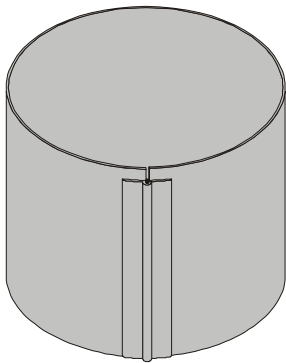
Assembly instruction Inlet from loft Ø600



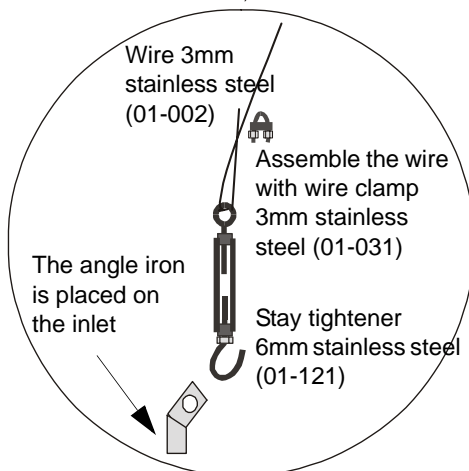
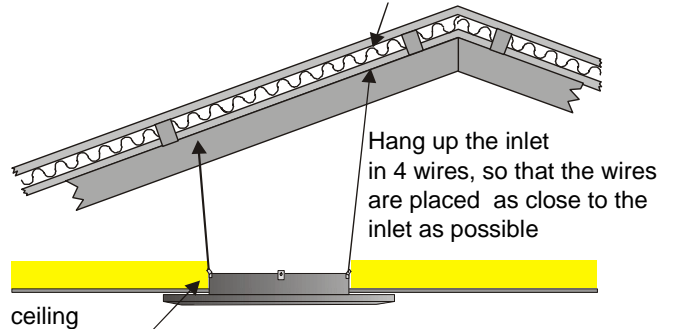
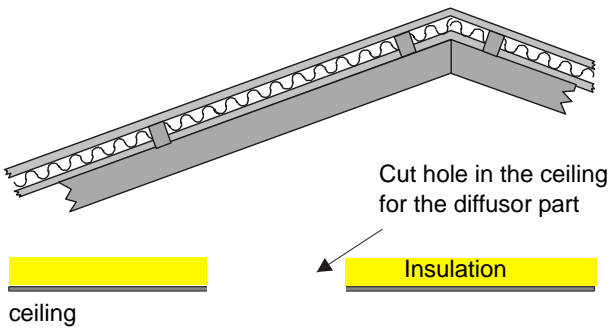
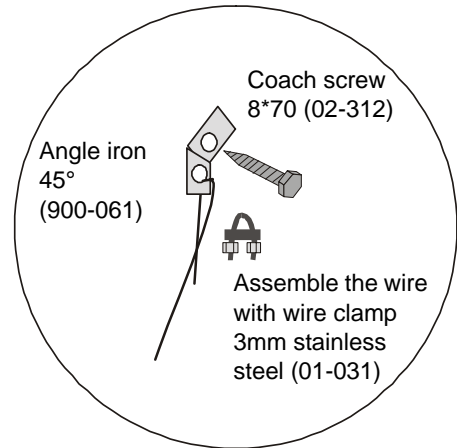
Assembly instruction - Air inlet from loft



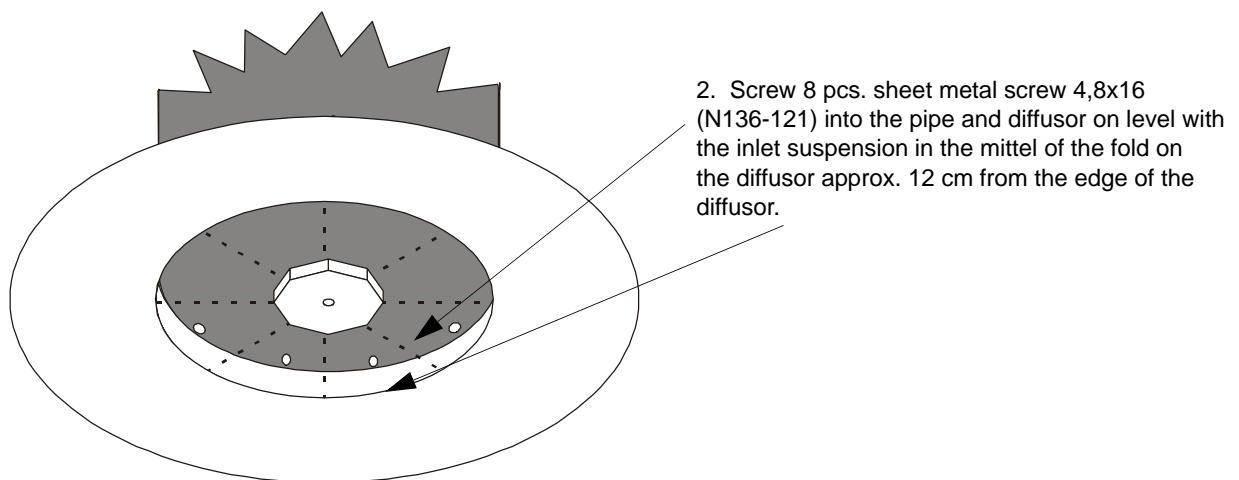
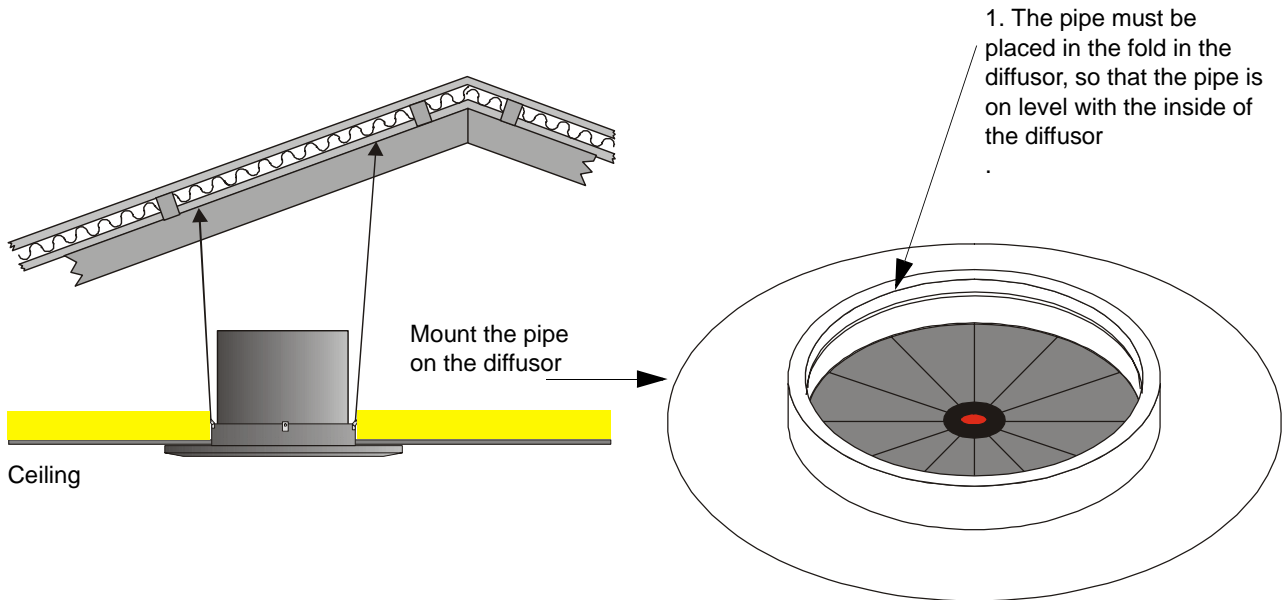
Click the two rolling junctions together



Samlet rør



Assembly instruction - Inlet from loft



System with fan: see next page!

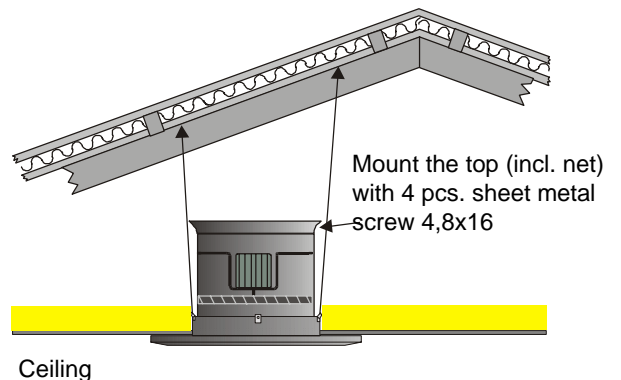
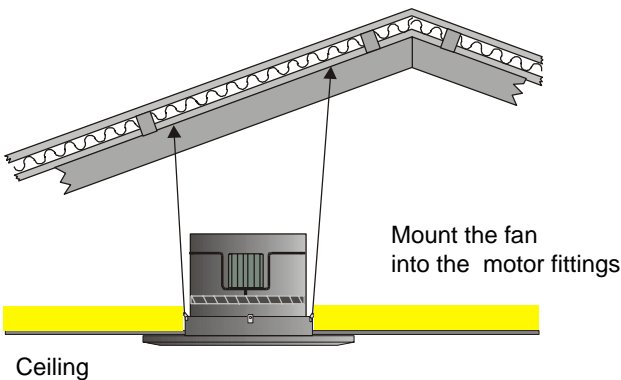
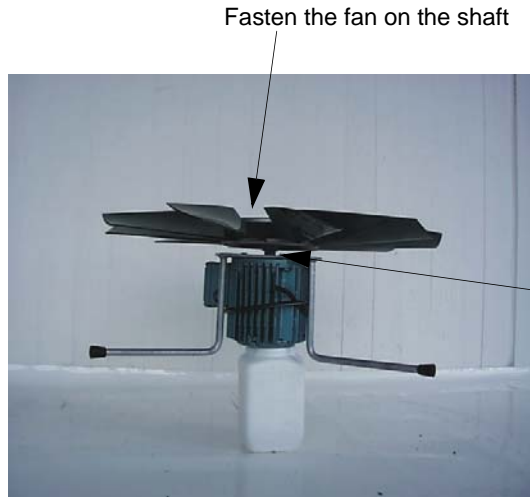
Assembly instruction - Inlet with fan

Mount 3 pcs. motor fittings inside the pipe in rough-bored holes

Motor suspension

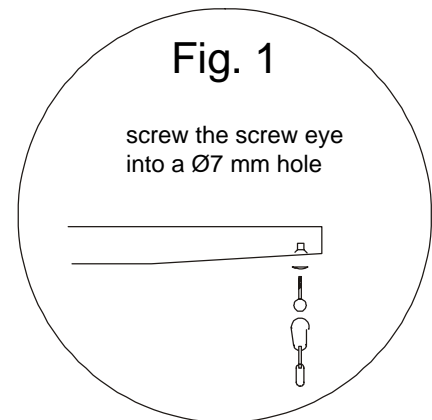
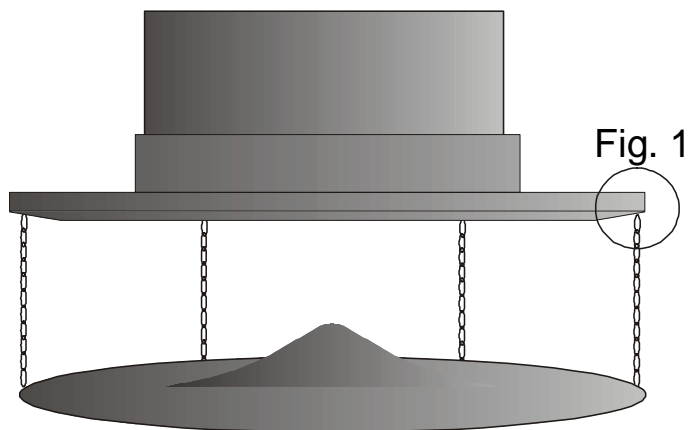


Cut of the pipe



NB !! The fan blades must be placed under the motor

Mount the air distributor under the inlet



T:\Montageblade\Vent\M-5100_GB_Luftindtag_genmem_loft_0600\M-5100_GB_LUFTINDTAG_GENNEM_LOFT_0600.fm

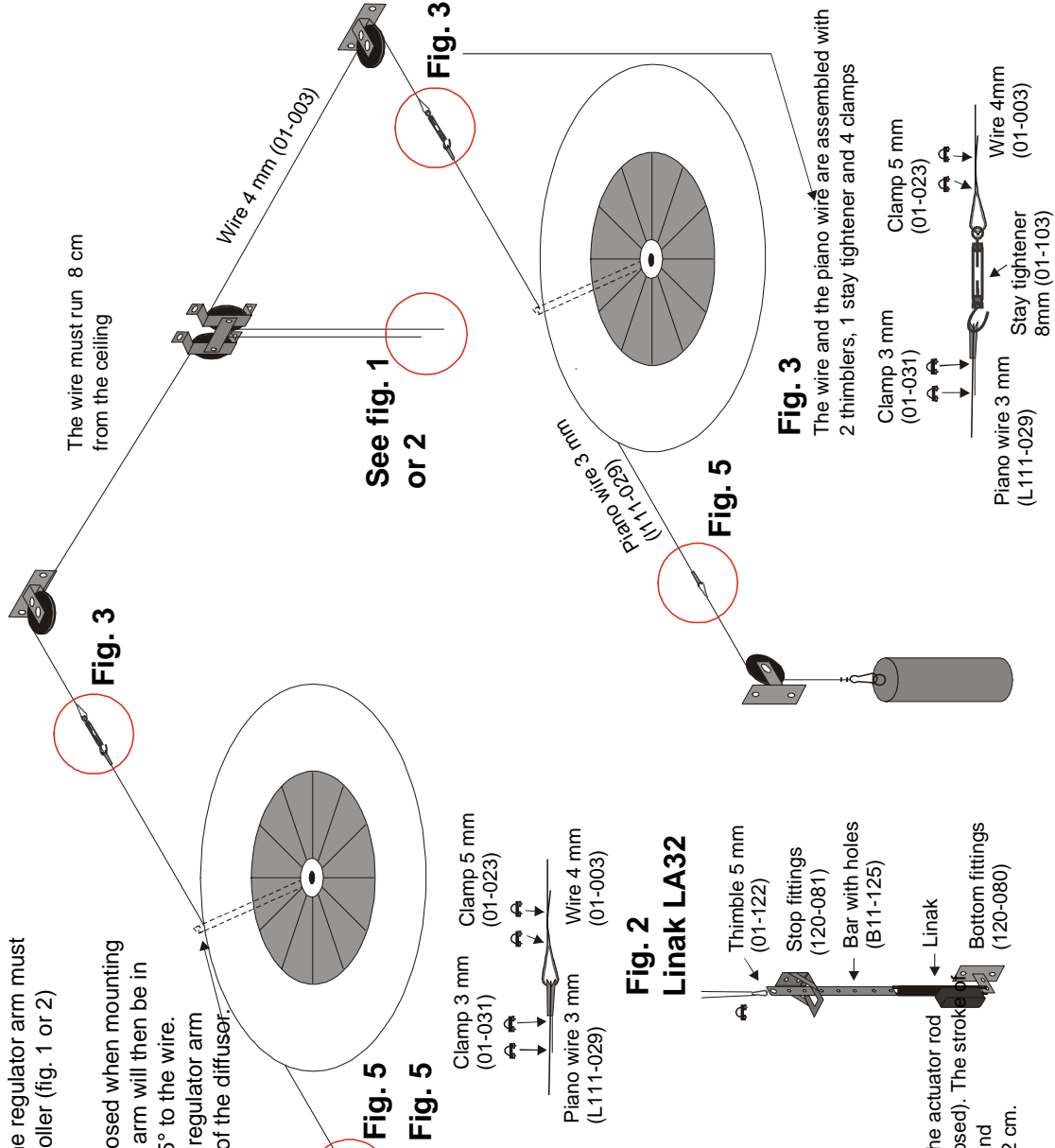
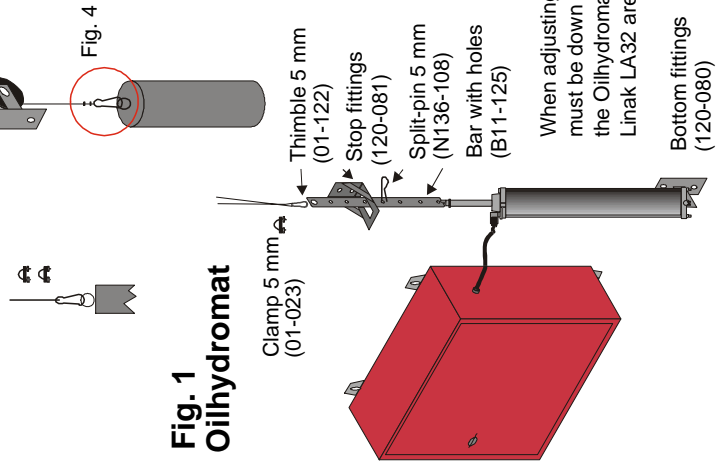
Mounting the wire pulling system on diffusers placed in 2 rows

Important!! When the diffuser is suspended, the regulator arm must be on the left, when you face the damper controller (fig. 1 or 2)

NB!

The diffuser must be closed when mounting the wire. The regulator arm will then be in a position of approx. 15° to the wire. Fasten the wire on the regulator arm 55 cm from the center of the diffuser.

Fig. 4
Put the wire through a snap hook and fasten with 2 clamps. Hang the weight in the snap hook



T:\Montagebl\ade\Vent\M-5100_GB_Luftindtag_gennem_loft_Ø600\M-5100_GB_LUFTINDTAG_GENNEM_LOFT_Ø600.fm

Mounting the wire pulling system on diffusers placed in 1 row

Important!! When the diffuser is suspended, the regulator arm must be on the left, when you face the damper controller (fig. 1 or 2)

NB!
The diffuser must be closed when mounting the wire. The regulator arm will then be in a position of approx. 15° to the wire. Fasten the wire on the regulator arm 55 cm from the center of the diffuser.

Fig. 5

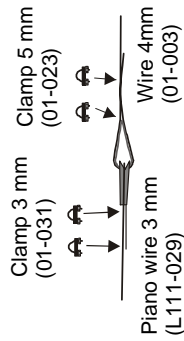


Fig. 4

Put the wire through a snap hook and fasten with 2 clamps. Hang the weight in the snap hook

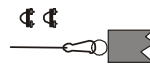


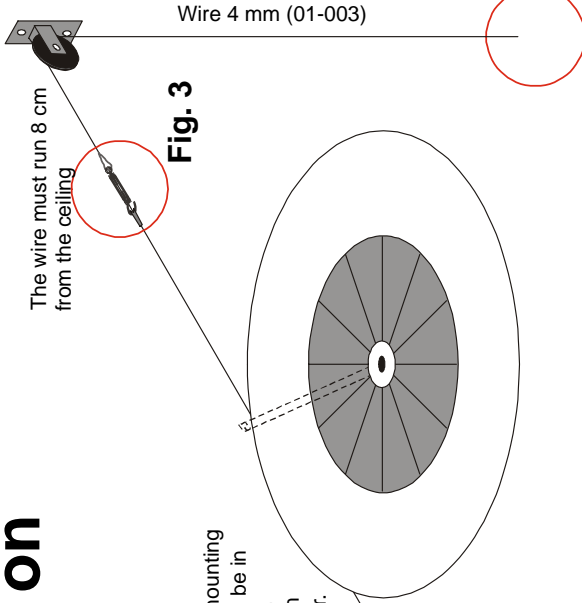
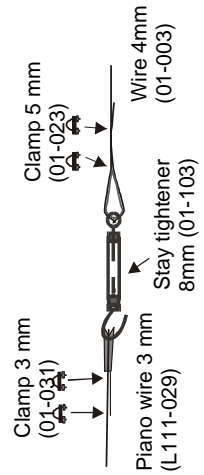
Fig. 5



Fig. 4

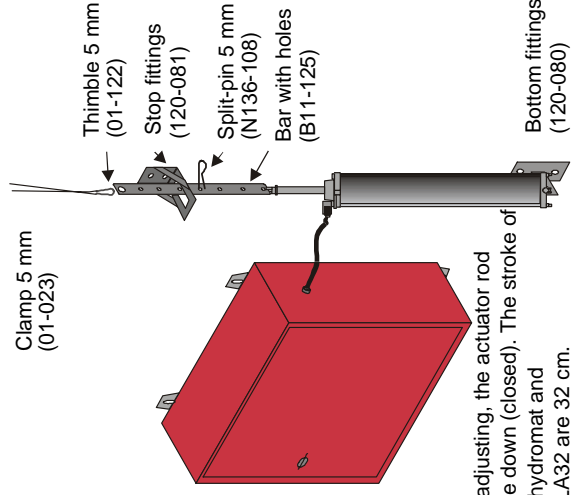
Fig. 3

The wire and the piano wire are assembled with 2 thimbles, 1 stay tightener and 4 clamps



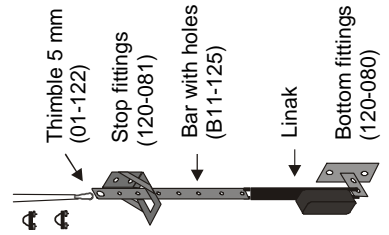
See fig. 1 or 2

Fig. 1 Oilhydromat



When adjusting, the actuator rod must be down (closed). The stroke of the Oilhydromat and Linak LA32 are 32 cm.

Fig. 2 Linak LA32



Mount the Neptronic on the diffusor

