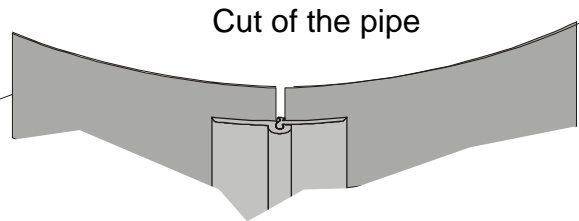
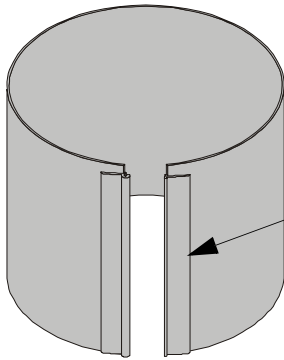


GB

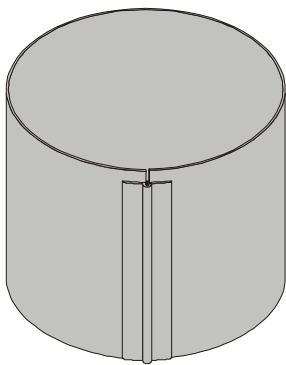
Assembly instruction Inlet from loft Ø800



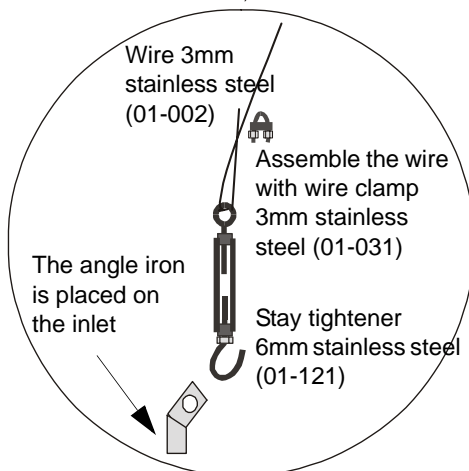
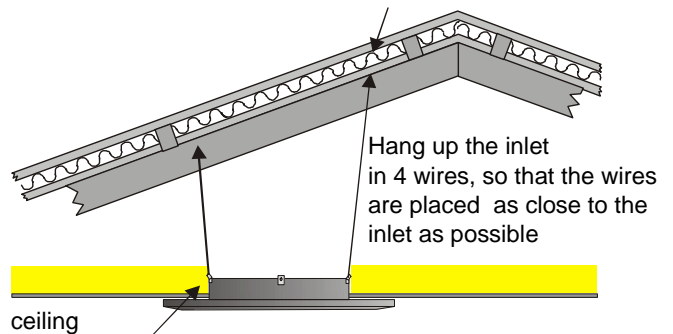
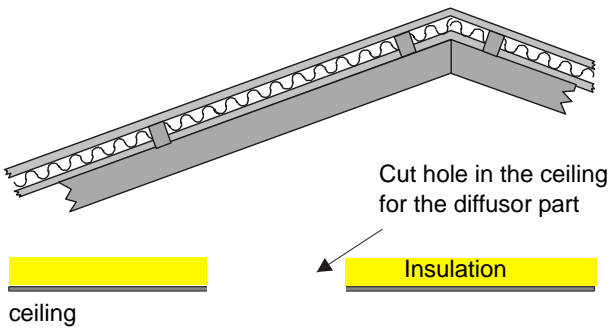
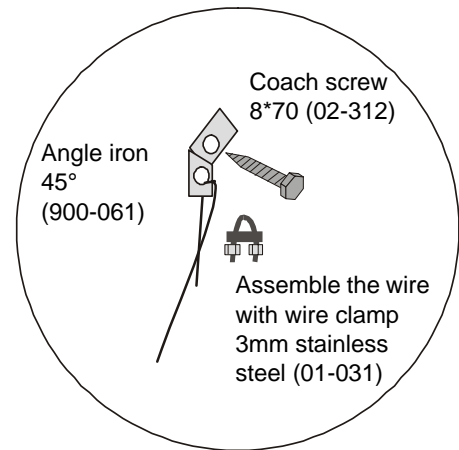
Assembly instruction - Air inlet from loft



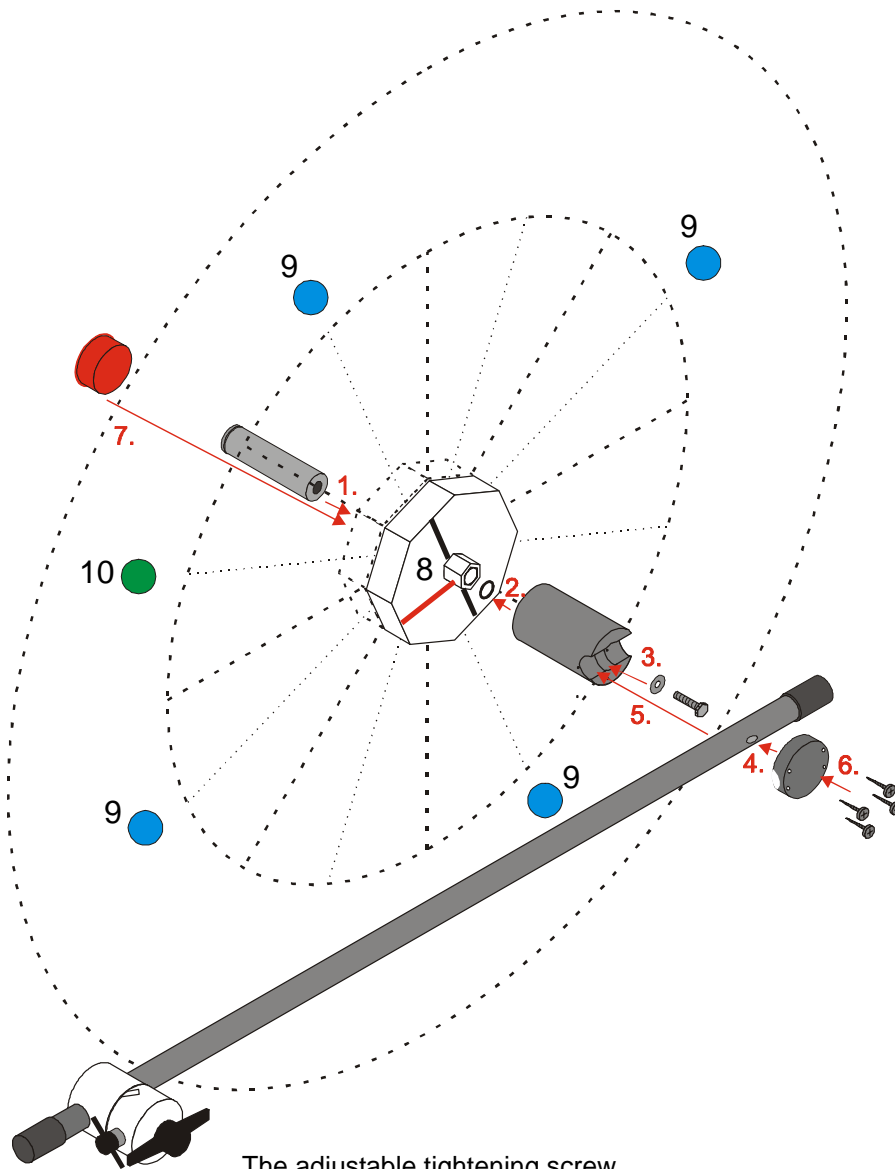
Click the two rolling junctions together



Samlet rør



Assembly of regulator arm on star diffusor



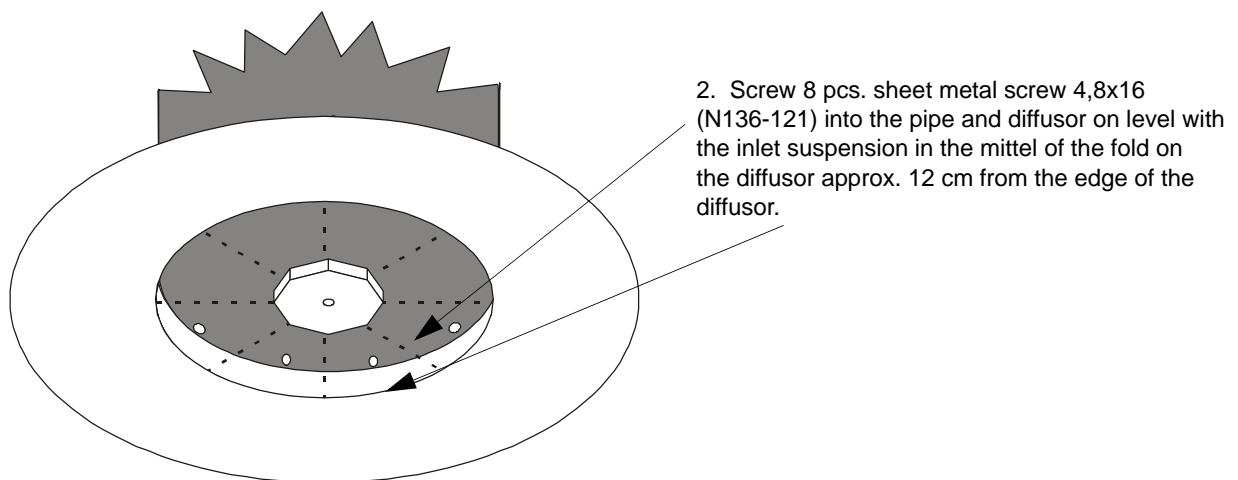
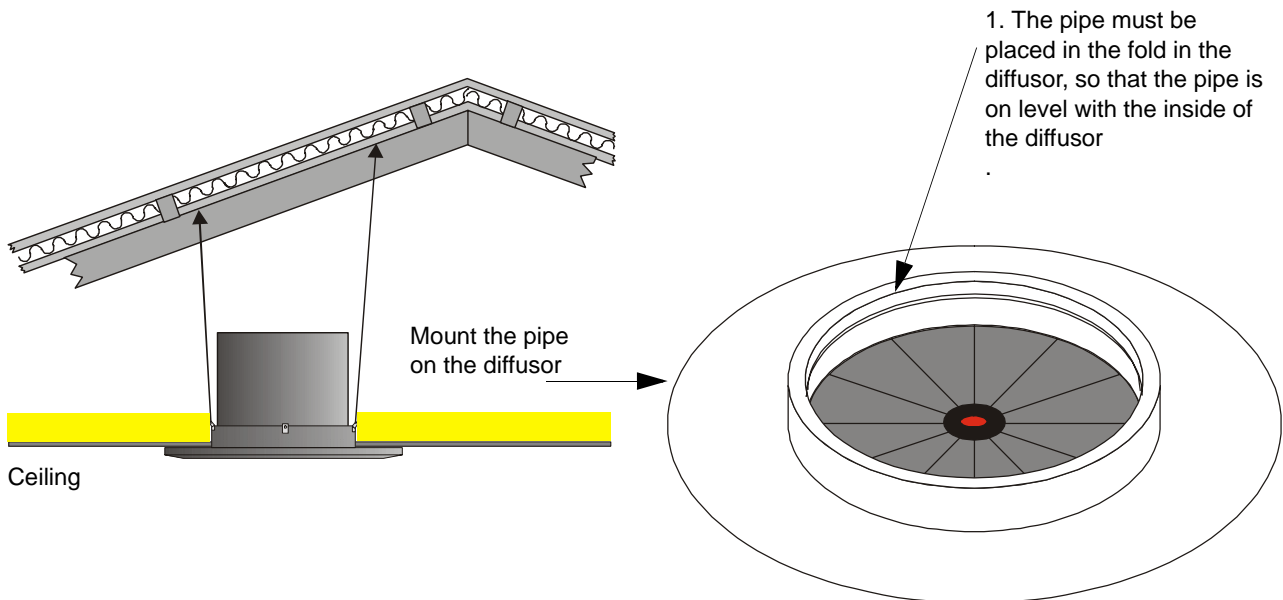
The adjustable tightening screw must point downwards when assembling the wire pulling system

Place the regulator arm parallel with line number 8 on the hub (closed diffusor)

- 9 ● The inlet suspension is placed on level with this point
- 10 ● The cross-stiffening on the backside of the star diffusor is fastened on level with this point. This point must be placed so that a line can be drawn perpendicular to the side wall.

N.B.!! When the star diffusor is hung up, the regulator arm **must** be placed to the left side, when you are standing faced to the wire pulling control center. (see page 7)

Assembly instruction - Inlet from loft



System with fan: see next page!

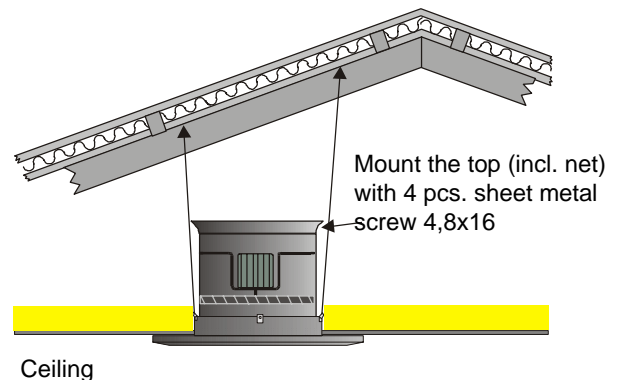
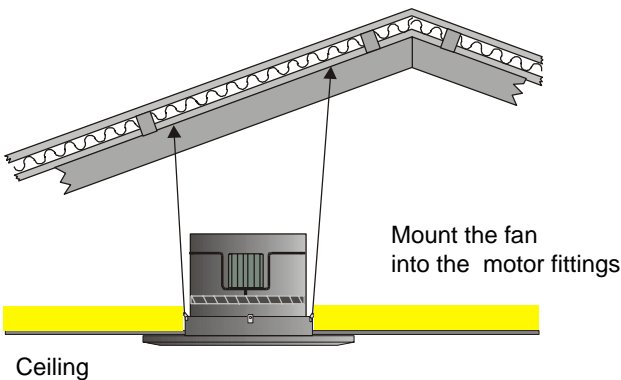
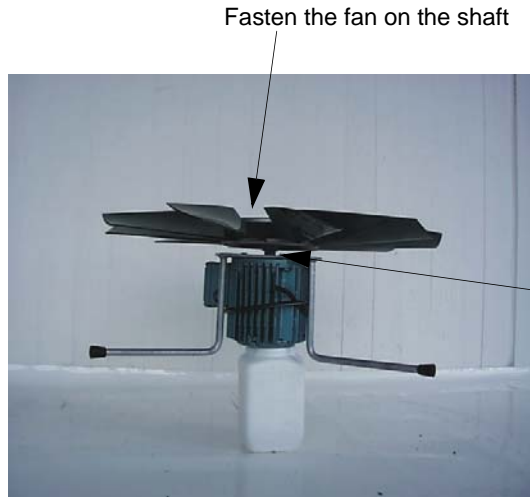
Assembly instruction - Inlet with fan

Mount 4 pcs. motor fittings inside the pipe in rough-bored holes

Motor suspension

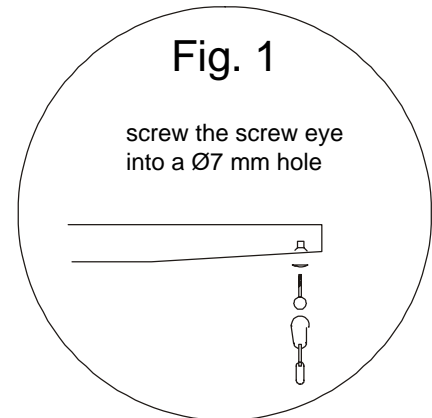
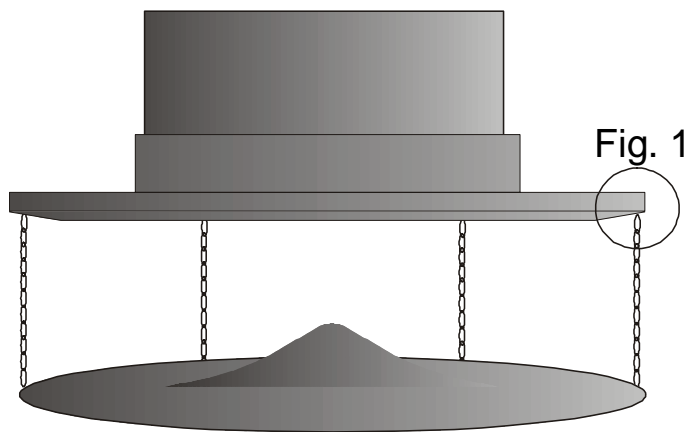


Cut of the pipe



NB !! The fan blades must be placed over the motor

Mount the air distributor under the inlet



T:\Montageblade\Vent\M-5101_GB_Luftindtag_gennem_loft_0800\M-5101_GB_LUFTINDTAG_GENNEM_LOFT_0800.fm

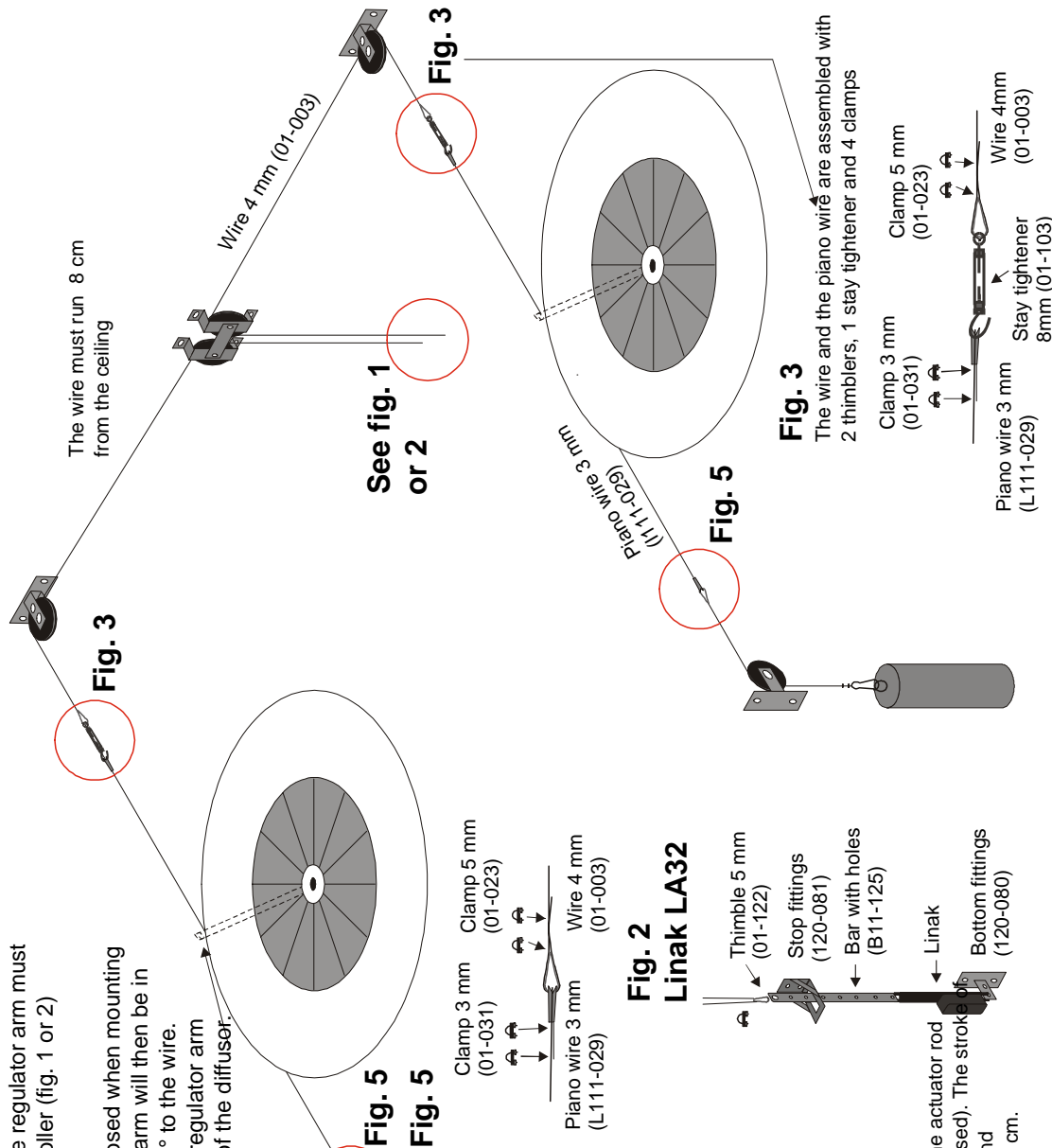
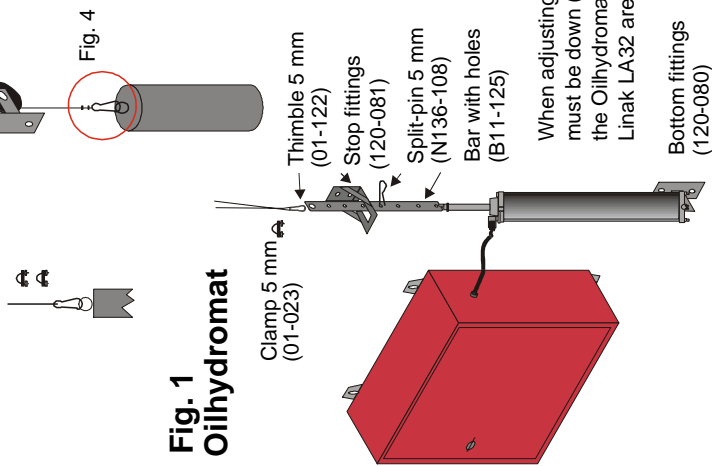
Mounting the wire pulling system on diffusers placed in 2 rows

Important!! When the diffuser is suspended, the regulator arm must be on the left, when you face the damper controller (fig. 1 or 2)

NB!

The diffuser must be closed when mounting the wire. The regulator arm will then be in a position of approx. 15° to the wire. Fasten the wire on the regulator arm 55 cm from the center of the diffuser.

Fig. 4
Put the wire through a snap hook and fasten with 2 clamps. Hang the weight in the snap hook



T:\Montagebl\ade\Vent\M-5101_GB_Luftindtag_gennem_loft_0800\M-5101_GB_LUFTINDTAG_GENNEM_LOFT_0800.fm

Mounting the wire pulling system on diffusers placed in 1 row

Important!! When the diffuser is suspended, the regulator arm must be on the left, when you face the damper controller (fig. 1 or 2)

NB!
The diffuser must be closed when mounting the wire. The regulator arm will then be in a position of approx. 15° to the wire. Fasten the wire on the regulator arm 55 cm from the center of the diffuser.

Fig. 5

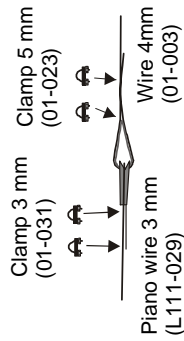


Fig. 4

Put the wire through a snap hook and fasten with 2 clamps. Hang the weight in the snap hook

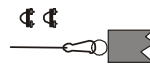
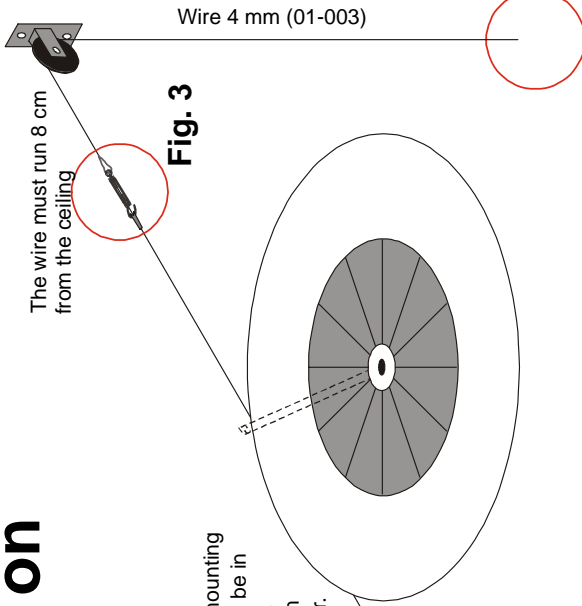
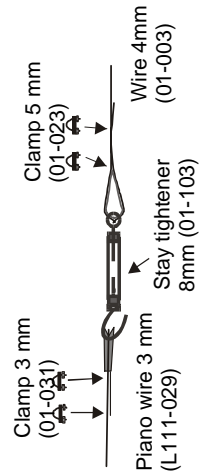


Fig. 5

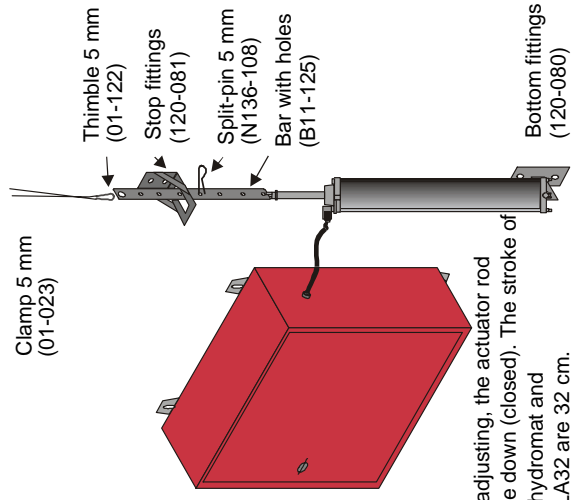
Fig. 3

The wire and the piano wire are assembled with 2 thimbles, 1 stay tightener and 4 clamps



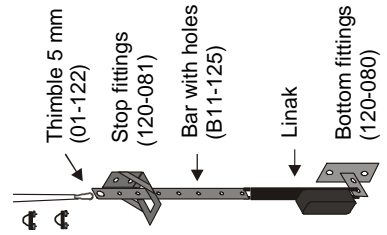
See fig. 1 or 2

Fig. 1 Oilhydromat



When adjusting, the actuator rod must be down (closed). The stroke of the Oilhydromat and Linak LA32 are 32 cm.

Fig. 2 Linak LA32



Mount the Neptronic on the diffusor

