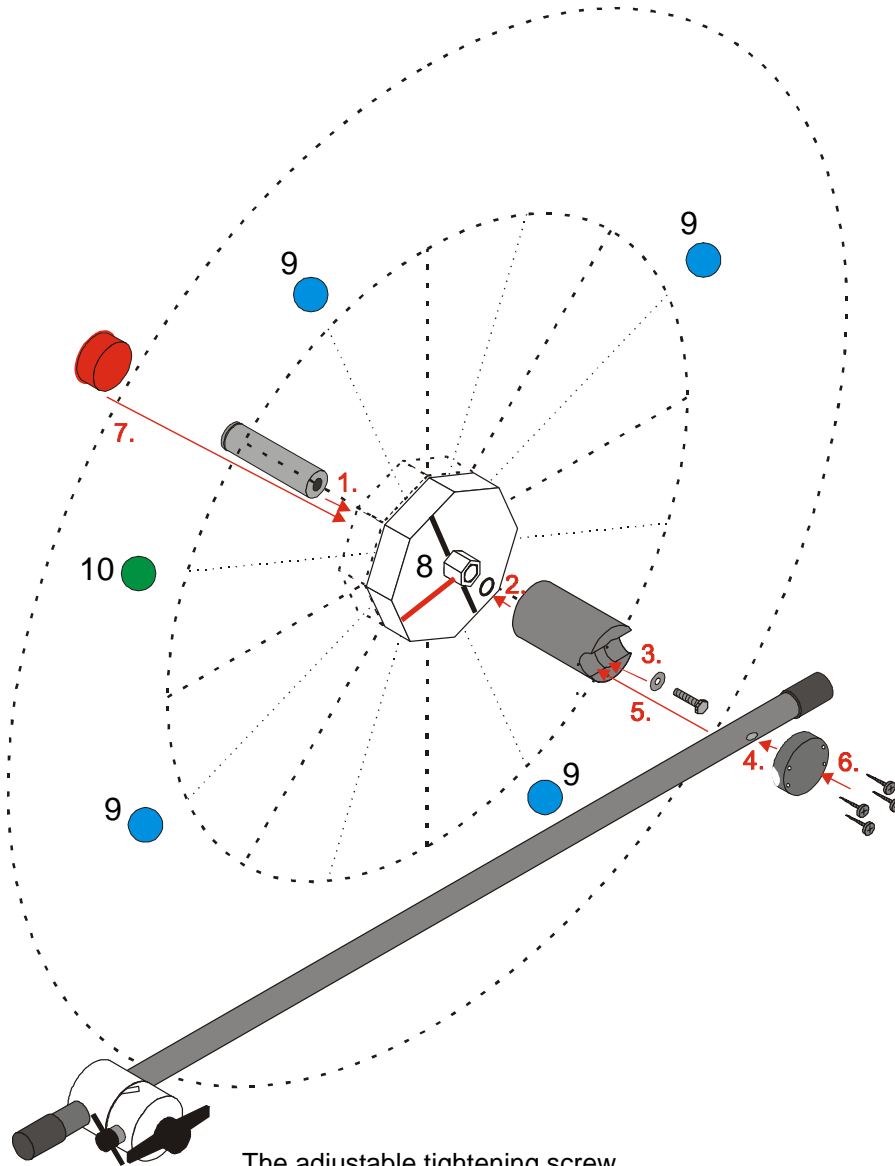


GB

Assembly instruction Inlet through the roof Ø600



Assembly of regulator arm on star diffusor



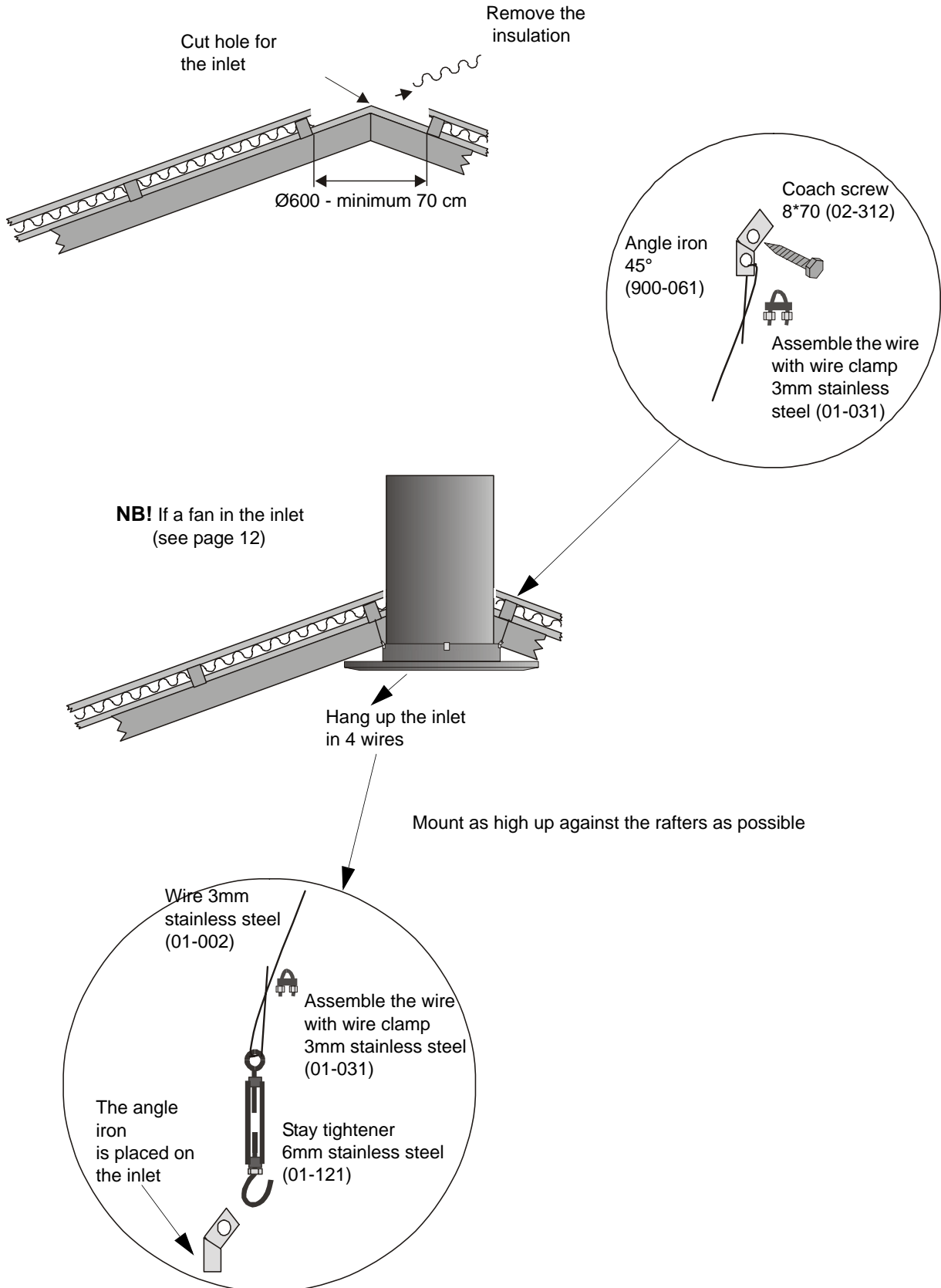
The adjustable tightening screw must point downwards when assembling the wire pulling system

Place the regulator arm parallel with line number 8 on the hub (closed diffusor)

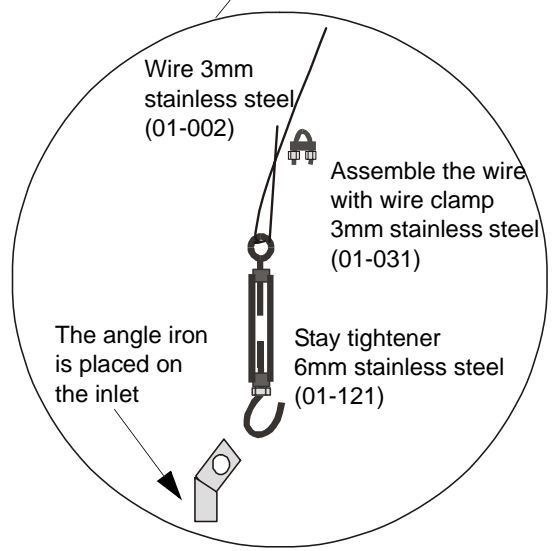
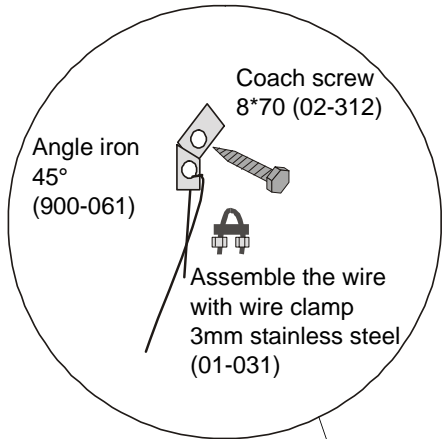
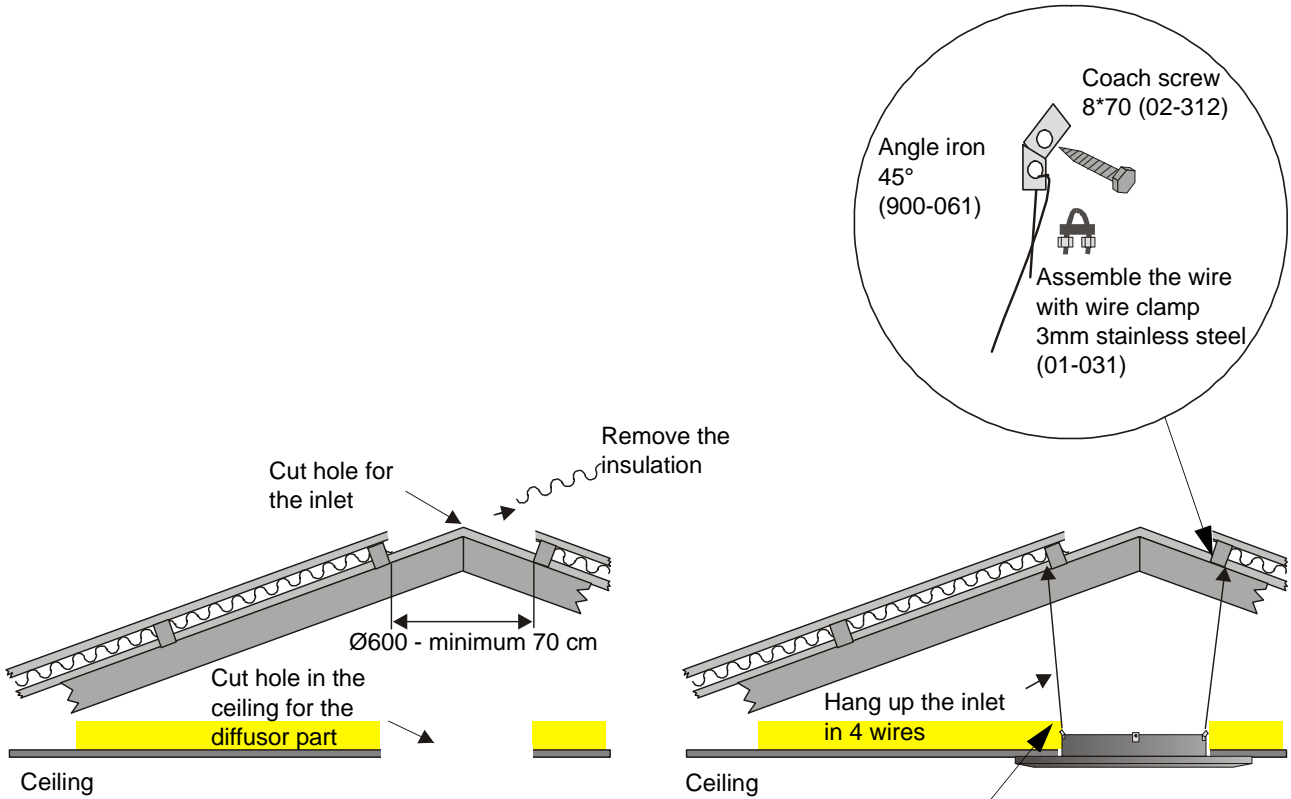
- 9 ● The inlet suspension is placed on level with this point
- 10 ● The cross-stiffening on the backside of the star diffusor is fastened on level with this point. This point must be placed so that a line can be drawn perpendicular to the side wall.

N.B.!! When the star diffusor is hung up, the regulator arm **must** be placed to the left side, when you are standing faced to the wire pulling control center. (see page 13)

Mounting the inlet in the ridge

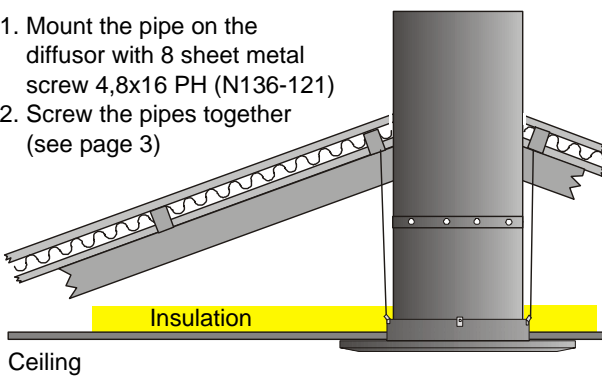


Mount the inlet in the ridge - through the loft

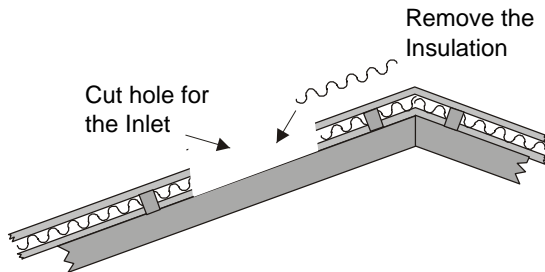


NB! If a fan in the inlet (see page 12)

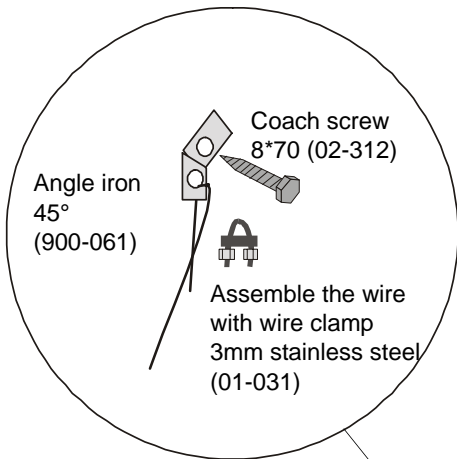
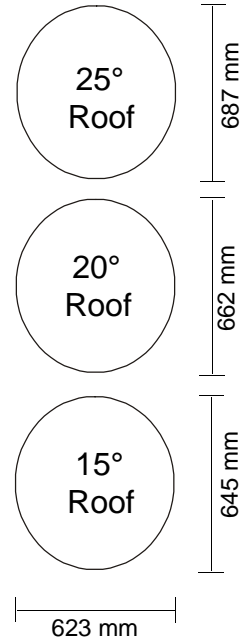
1. Mount the pipe on the diffusor with 8 sheet metal screw 4,8x16 PH (N136-121)
2. Screw the pipes together (see page 3)



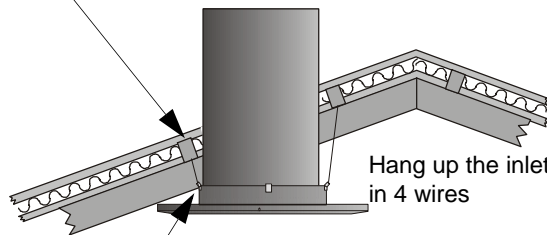
Mount the inlet on one side of the roof



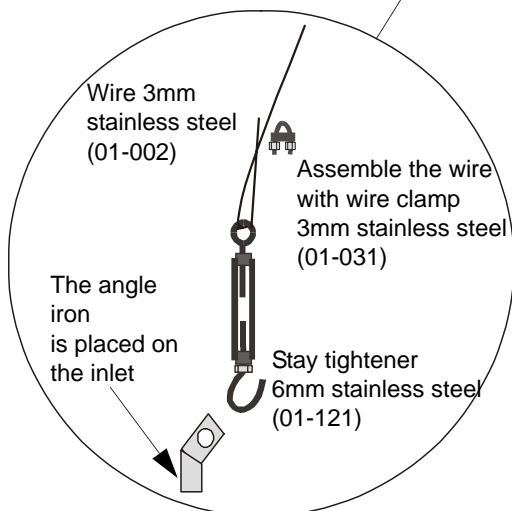
Hole size for inlet



NB! If fan in the inlet (see page 12)



Mount as high up against the rafters as possible



Mount the flashing in the ridge

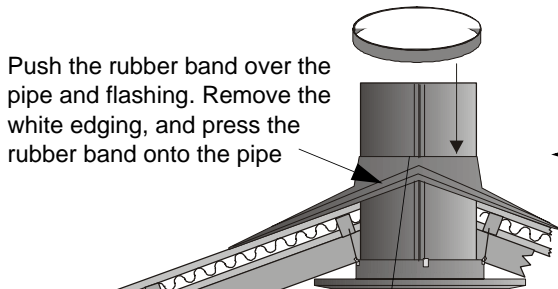
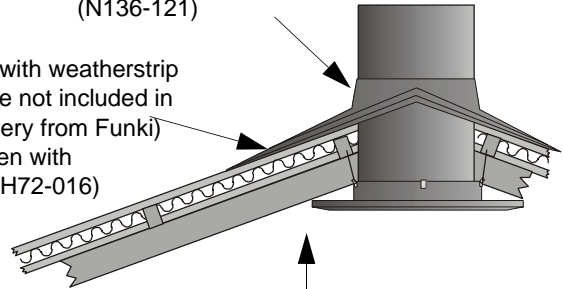
Multiflex Ridge can be used for slopes of 10°, 15° and 20°



Multiflex ridge flashing placed on the pipe

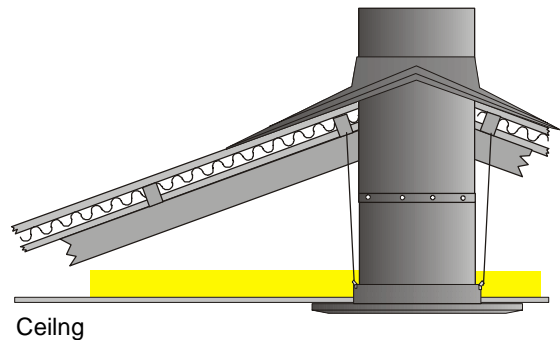
Fasten the flashing on the pipe with 4 screws 4,8x16 (N136-121)

Seal up with weatherstrip (birds are not included in the delivery from Funki) and fasten with screws (H72-016)

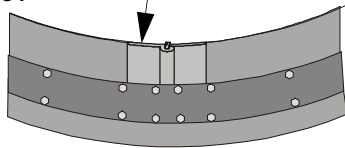


Push the rubber band over the pipe and flashing. Remove the white edging, and press the rubber band onto the pipe

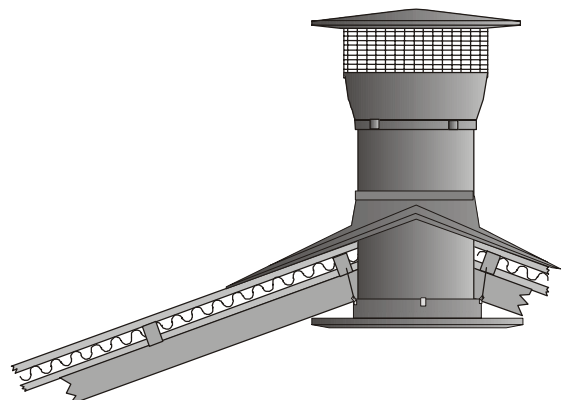
The same procedure



Important! Fasten the rubber band at 6 points both on the pipe and the flashing with screws, except the screws at the rolling junctions. Fasten with screws close to the edge of the rolling junctions



Mounted Inlet



Push the top 60 mm down over the pipe and fasten with drilling screw 4,8x19 w/washer (H71-002)

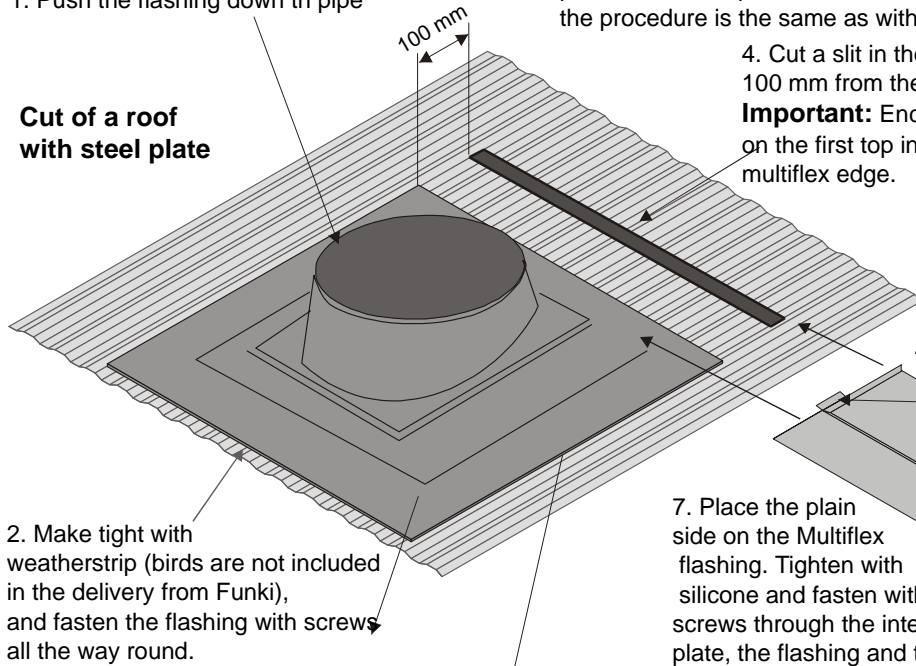
Mount the flashing on one side of the roof

Multiflex can be used for slopes of 10°, 15° and 20°

NB! If the roof is made of asbestos cement, put intermediate plate under the slit, and the procedure is the same as with steel plates

1. Push the flashing down th pipe

Cut of a roof with steel plate



2. Make tight with weatherstrip (birds are not included in the delivery from Funki), and fasten the flashing with screws all the way round.

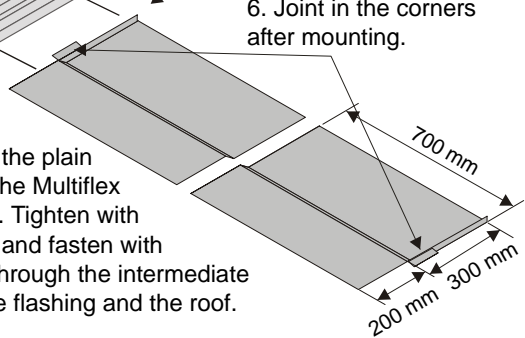
4. Cut a slit in the roof 50 mm wide and 100 mm from the multiflex upper edge

Important: End the slit in the steel plate on the first top in both sides by the multiflex edge.

5. Mount the intermediate plate into the slit with a weatherstrip under the steel plate, and fasten with screws through every top.

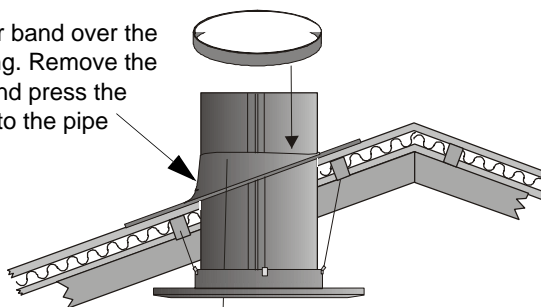
6. Joint in the corners after mounting.

7. Place the plain side on the Multiflex flashing. Tighten with silicone and fasten with screws through the intermediate plate, the flashing and the roof.

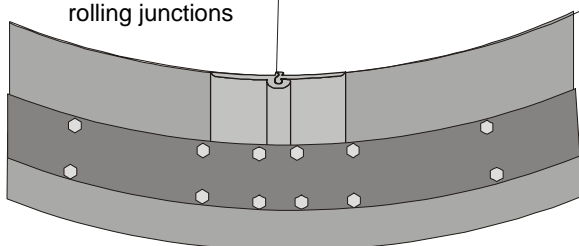


8. Fasten the flashing along the sides with screws.

Push the rubber band over the pipe and flashing. Remove the white edging, and press the rubber band onto the pipe

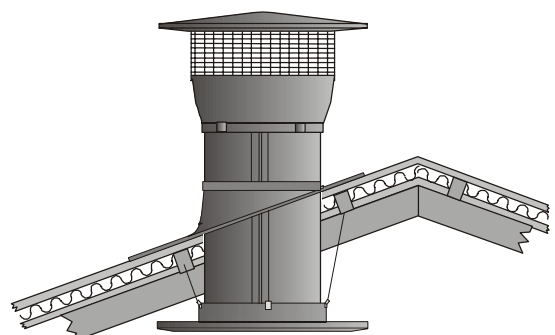


Important! Fasten the rubber band at 6 points both on the pipe and the flashing with screws, except the screws at the rolling junctions. Fasten with screws close to the edge of the rolling junctions



Push the top 60 mm down over the pipe and fasten with drilling screw w/washer 4,8x19 (H71-002)

Mounted flashing



Assembly instruction - Inlet with fan

Fasten the fan on the shaft

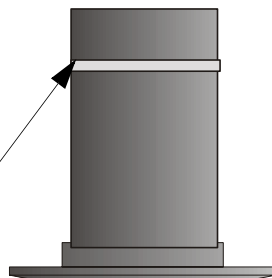
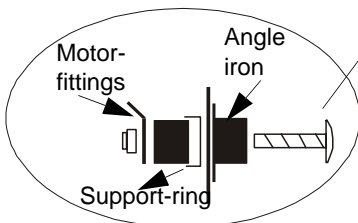


Mount the flange on the motor with 4 set screw 6x16

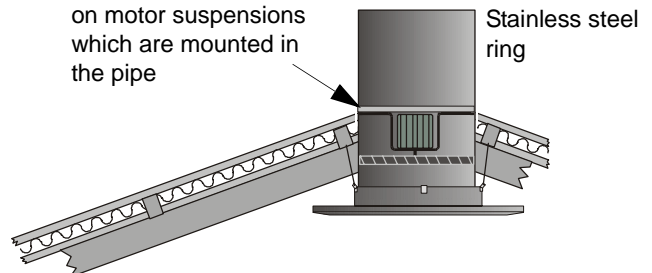
Air inlet Ø600

NB! The fan blades are placed under the motor

Support-ring is mounted together with motor fittings and 45° angle iron



2. Mount the fan on motor suspensions which are mounted in the pipe



T:\Montagebladet\Vent\M-5102_GB_Luftindtag_gennem_tag_0600\M-5102_GB_LUFTINDTAG_GENNEM_TAG_0600.fm

Mounting the wire pulling system on diffusers placed in 2 rows

Important!! When the diffuser is suspended, the Regulator arm must be on the left, when you face the damper controller (fig. 1 or 2)

NB!

The diffuser must be closed when mounting the wire. The regulator arm will then be in a position of approx. 15° to the wire. Fasten the wire on the Regulator arm 55 cm from the center of the diffuser.

Fig. 4

Put the wire through a snap hook and fasten with 2 clamps. Hang the weight in the snap hook

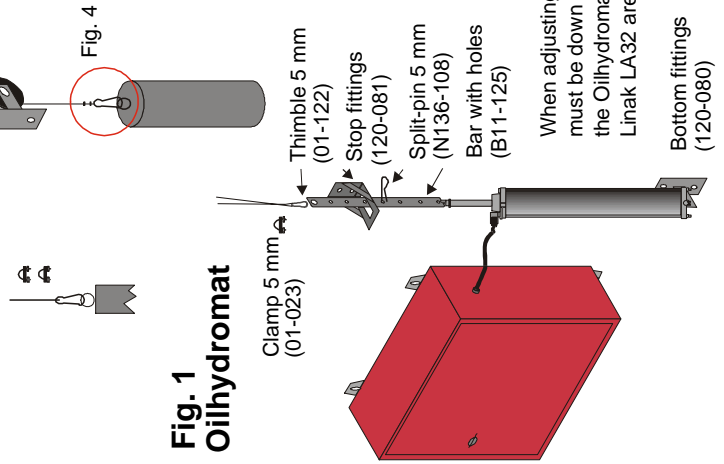


Fig. 1
Oilhydromat

When adjusting, the actuator rod must be down (closed). The stroke of the Oilhydromat and Linak LA32 are 32 cm.

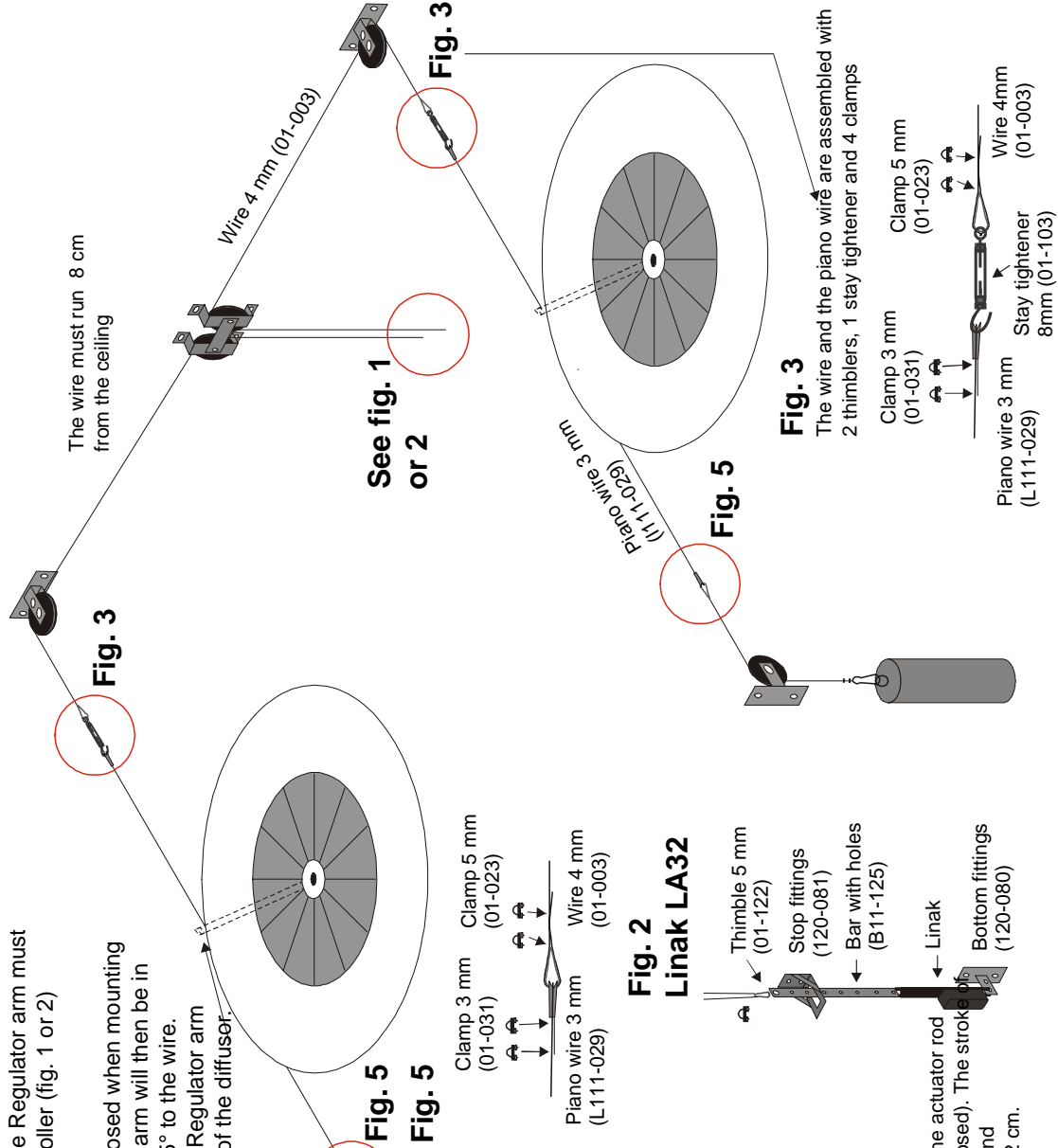


Fig. 2
Linak LA32

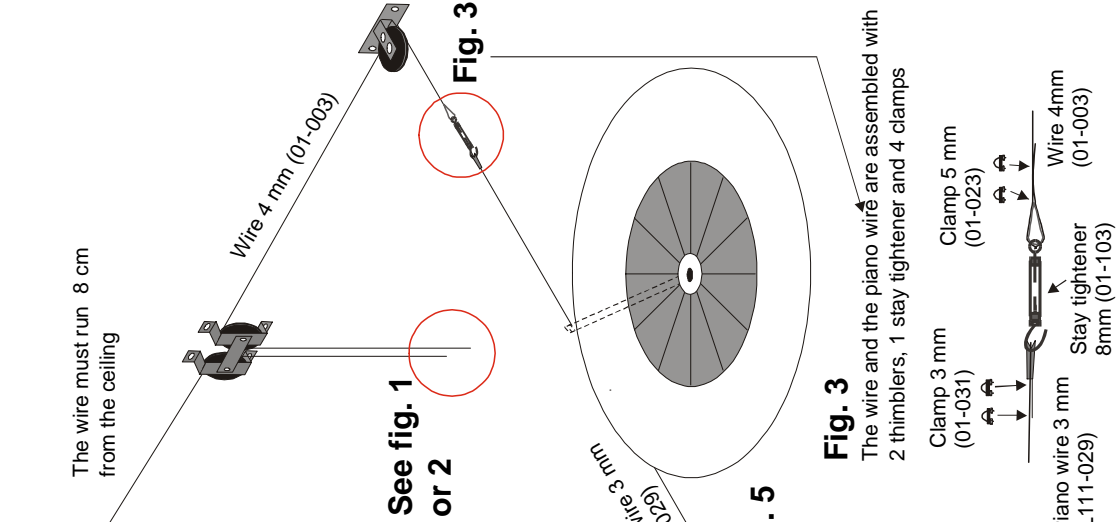


Fig. 3

The wire and the piano wire are assembled with 2 thimbles, 1 stay tightener and 4 clamps

Clamp 3 mm (01-031)
Clamp 5 mm (01-023)
Piano wire 3 mm (L111-029)
Stay tightener 8mm (01-103)
Wire 4mm (01-003)

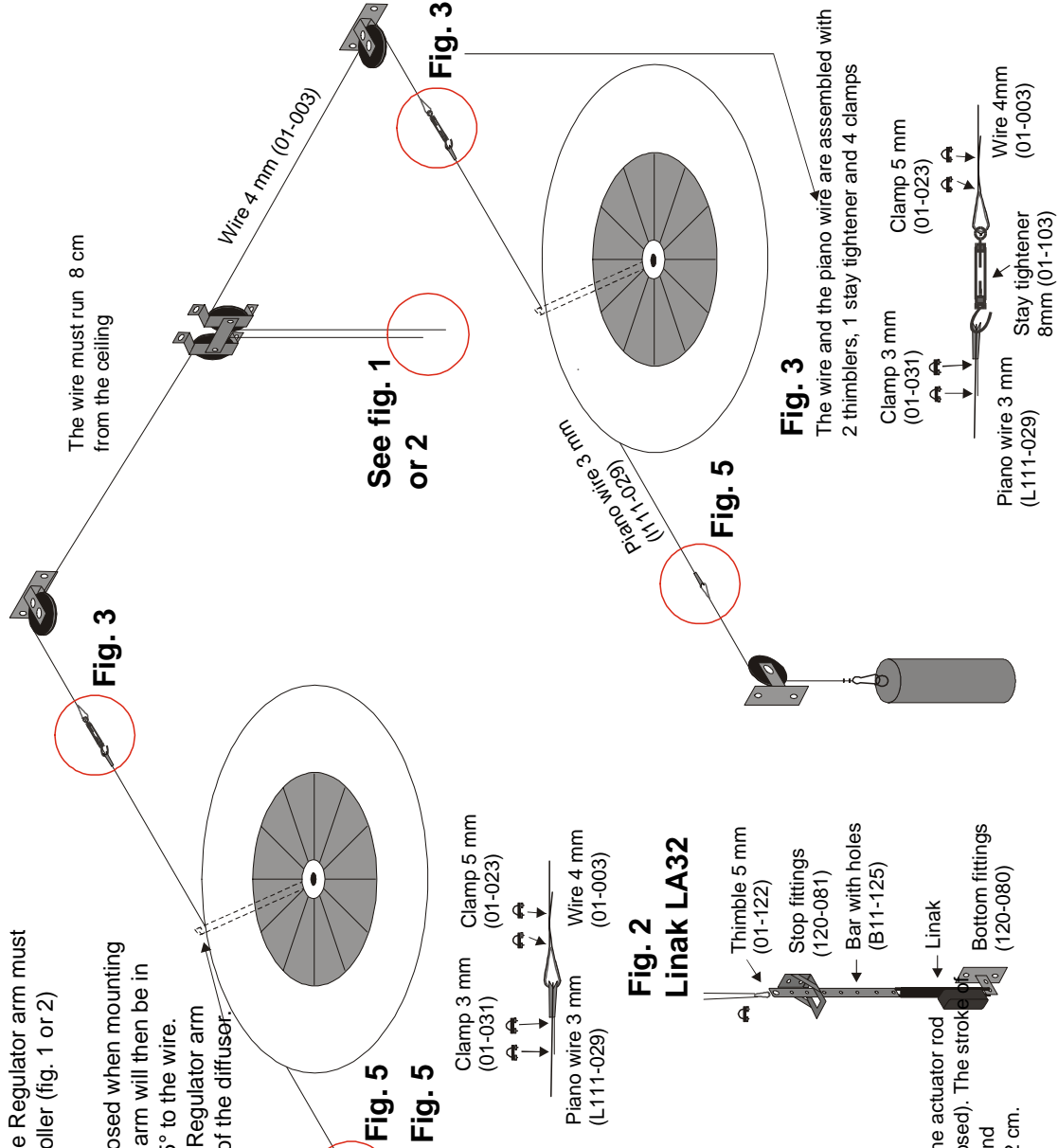


Fig. 4

See fig. 1 or 2

The wire must run 8 cm from the ceiling

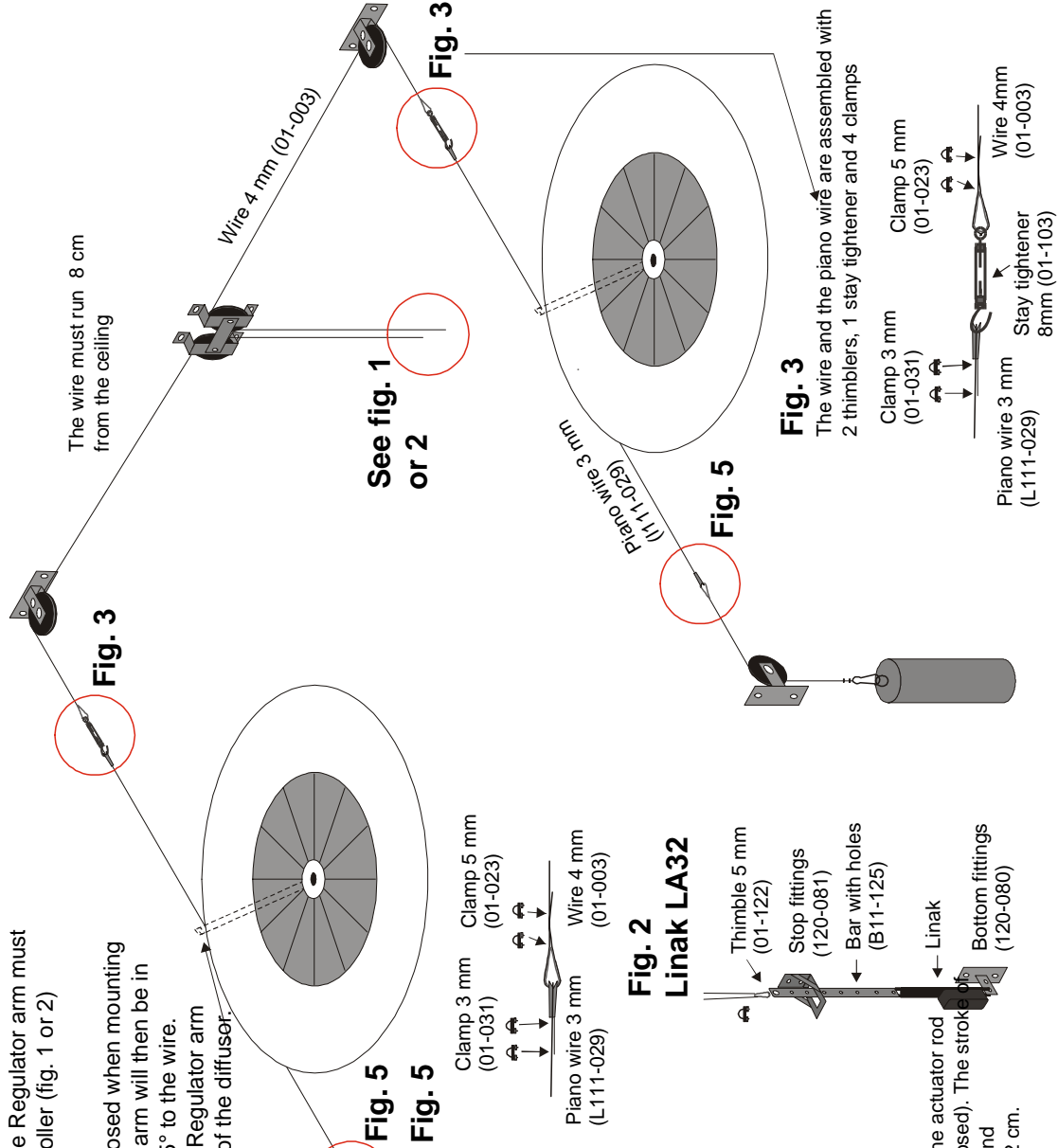


Fig. 5

Fig. 5

The wire and the piano wire are assembled with 2 thimbles, 1 stay tightener and 4 clamps

Clamp 3 mm (01-031)
Clamp 5 mm (01-023)
Piano wire 3 mm (L111-029)
Stay tightener 8mm (01-103)
Wire 4mm (01-003)

T:\Montageblade\Vent\M-5102_GB_Luftindtag_gennem_tag_0600\M-5102_GB_LUFTINDTAG_GENNEM_TAG_0600.fm

Mounting the wire pulling system on diffusers placed in 1 row

Important!! When the diffuser is suspended, the regulator arm must be on the left, when you face the damper controller (fig. 1 or 2)

NB! The diffuser must be closed when mounting the wire. The regulator arm will then be in a position of approx. 15° to the wire. Fasten the wire on the regulator arm 55 cm from the center of the diffuser.

Fig. 5

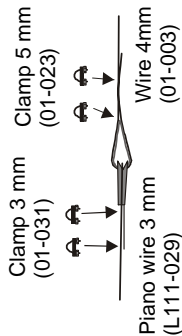


Fig. 4

Put the wire through a snap hook and fasten with 2 clamps. Hang the weight in the snap hook

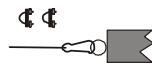


Fig. 5

Fig. 3

The wire and the piano wire are assembled with 2 thimbles, 1 stay tightener and 4 clamps

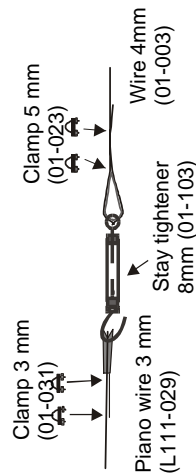


Fig. 2
Linak LA32

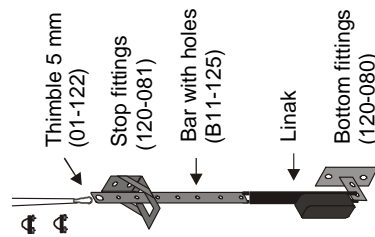
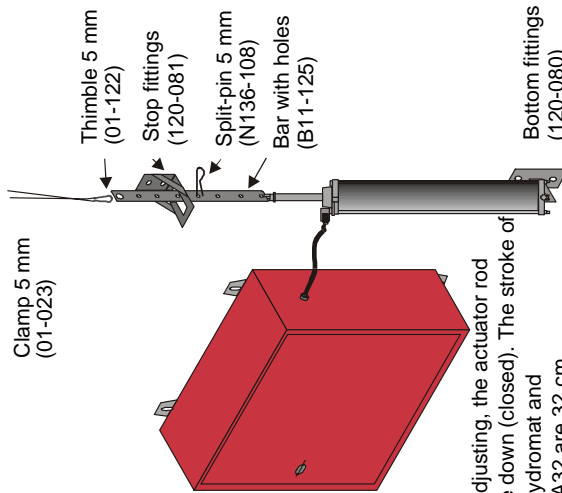
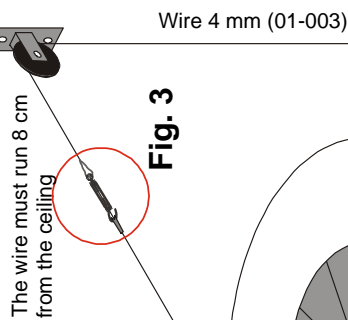


Fig. 1
Oilhydromat

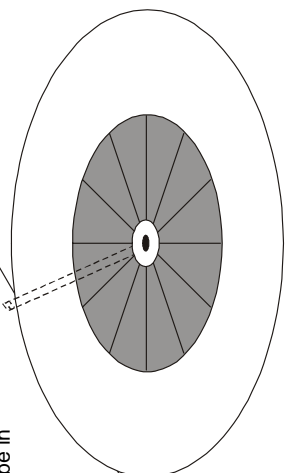


When adjusting, the actuator rod must be down (closed). The stroke of the Oilhydromat and Linak LA32 are 32 cm.



The wire must run 8 cm from the ceiling

Fig. 3



See fig. 1 or 2

Mount the Neptronic on the diffusor

